



US00D774504S

(12) **United States Design Patent** (10) **Patent No.:** **US D774,504 S**
Hoover et al. (45) **Date of Patent:** **** Dec. 20, 2016**

- (54) **SELF-SERVICE TERMINAL**
- (71) Applicants: **Timothy Hoover**, Canton, OH (US);
Donald S. Nelson, Jr., Akron, OH (US); **Todd Christian**, Dalton, OH (US); **Neil Gromley**, Kensington, OH (US)
- (72) Inventors: **Timothy Hoover**, Canton, OH (US);
Donald S. Nelson, Jr., Akron, OH (US); **Todd Christian**, Dalton, OH (US); **Neil Gromley**, Kensington, OH (US)
- (73) Assignee: **Diebold Self-Service System division of Diebold, Incorporated**, North Canton, OH (US)

D732,520 S *	6/2015	Themann	D14/307
D732,522 S *	6/2015	Chadbourne	D14/307
D738,366 S *	9/2015	Kraft	D14/307
D742,870 S *	11/2015	Berini	D14/307
D743,956 S *	11/2015	Kraft	D14/307
D751,061 S *	3/2016	Berini	D14/307
D752,032 S *	3/2016	Taylor	D14/307
D757,709 S *	5/2016	Feldstein	D14/307
D760,711 S *	7/2016	Berini	D14/307
D762,635 S *	8/2016	Szeredi	D14/307
2013/0215275 A1 *	8/2013	Berini	G06F 21/32 348/150

* cited by examiner

Primary Examiner — Austin Murphy

(74) *Attorney, Agent, or Firm* — Black, McCuskey, Souers & Arbaugh, LPA

(**) Term: **15 Years**

(21) Appl. No.: **29/542,727**

(22) Filed: **Oct. 16, 2015**

(51) **LOC (10) Cl.** **14-02**

(52) **U.S. Cl.**
USPC **D14/307**

(58) **Field of Classification Search**
USPC . D14/302-307, 900-902; D13/163; D20/10;
D21/332, 325, 369, 370; D99/28; D6/397,
D6/466; 194/206; 361/679.01, 679.02,
361/679.04, 679.21, 679.57, 725
CPC G06Q 20/18; G06Q 20/10; G06Q 20/123;
G06Q 20/20; G06Q 30/02; G06Q 30/06;
A47F 9/047

See application file for complete search history.

(56) **References Cited**

U.S. PATENT DOCUMENTS

D717,784 S *	11/2014	Collins	D14/307
D727,307 S *	4/2015	Kraft	D14/307

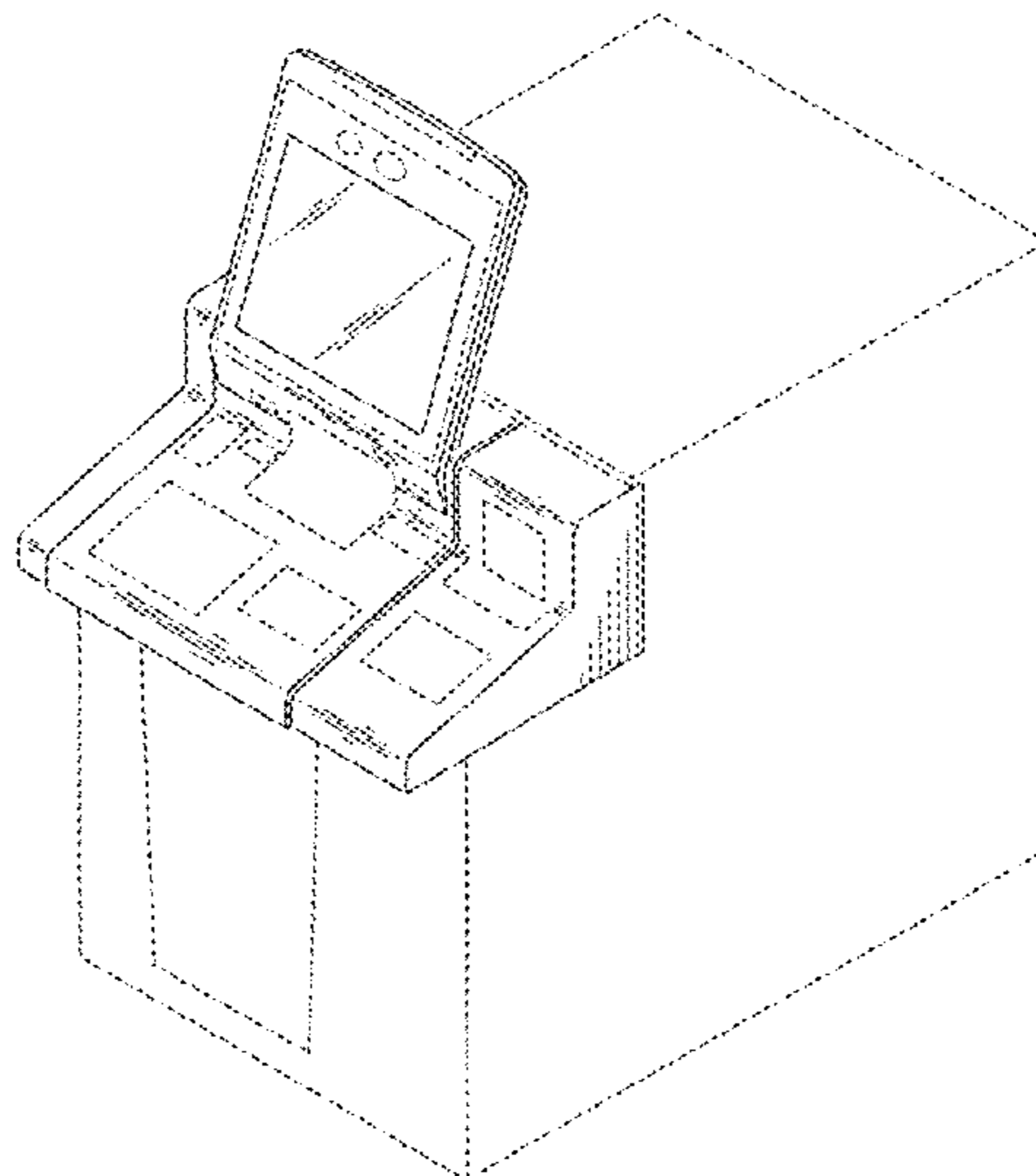
(57) **CLAIM**

The ornamental design for a self-service terminal, as shown and described.

DESCRIPTION

FIG. 1 is a perspective view of a self-service terminal design of the present invention;
 FIG. 2 is a front elevation of the self-service terminal of FIG. 1;
 FIG. 3 is a side elevation of the self-service terminal of FIG. 1, the opposite side being identical in appearance;
 FIG. 4 is a rear elevation of the self-service terminal of FIG. 1;
 FIG. 5 is a top view of the self-service terminal of FIG. 1; and,
 FIG. 6 is a bottom view of the self-service terminal of FIG. 1.
 The broken lines shown in the drawings represent portions of the self-service terminal that form no part of the claimed design.

1 Claim, 5 Drawing Sheets



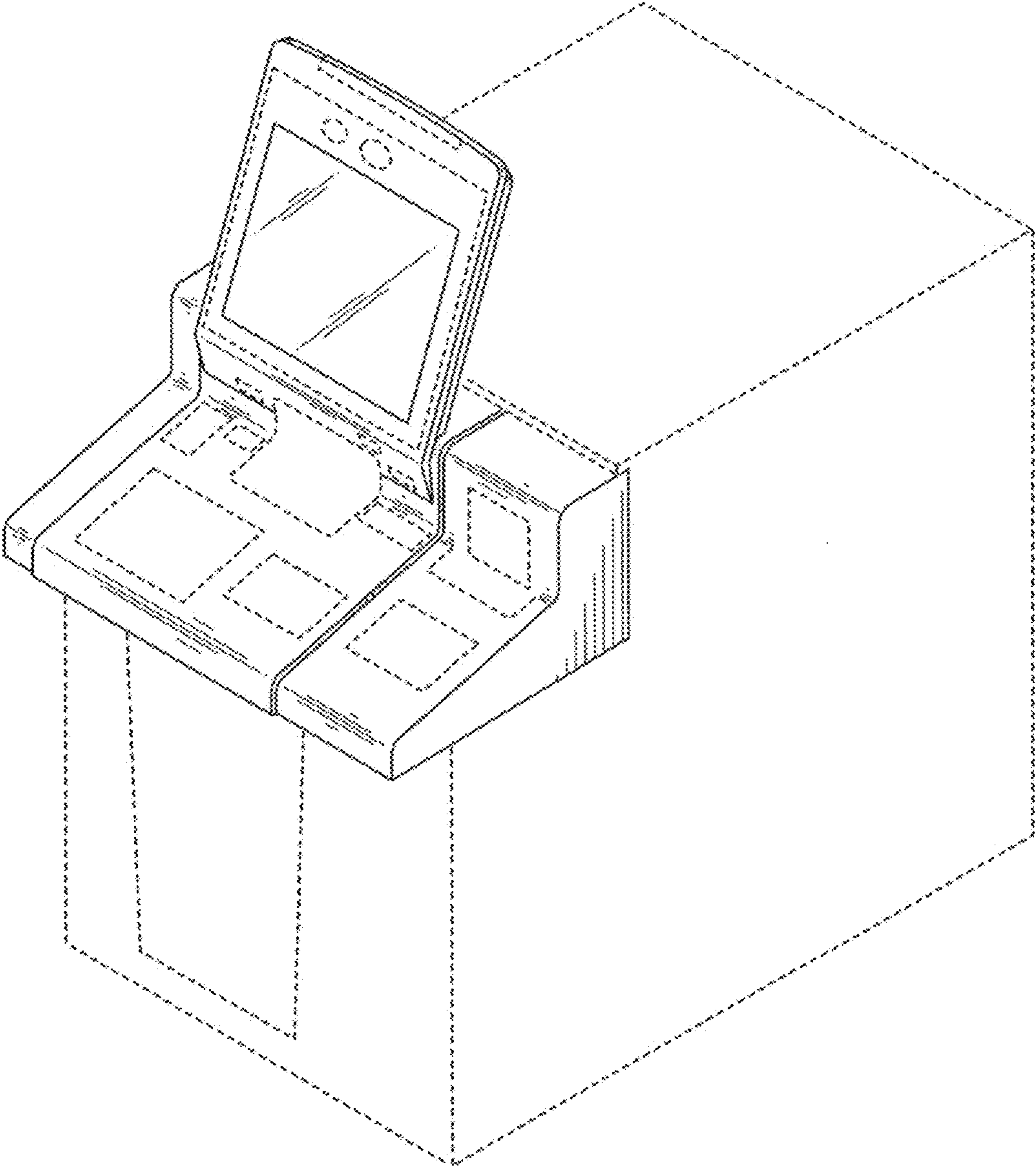


FIG. 1

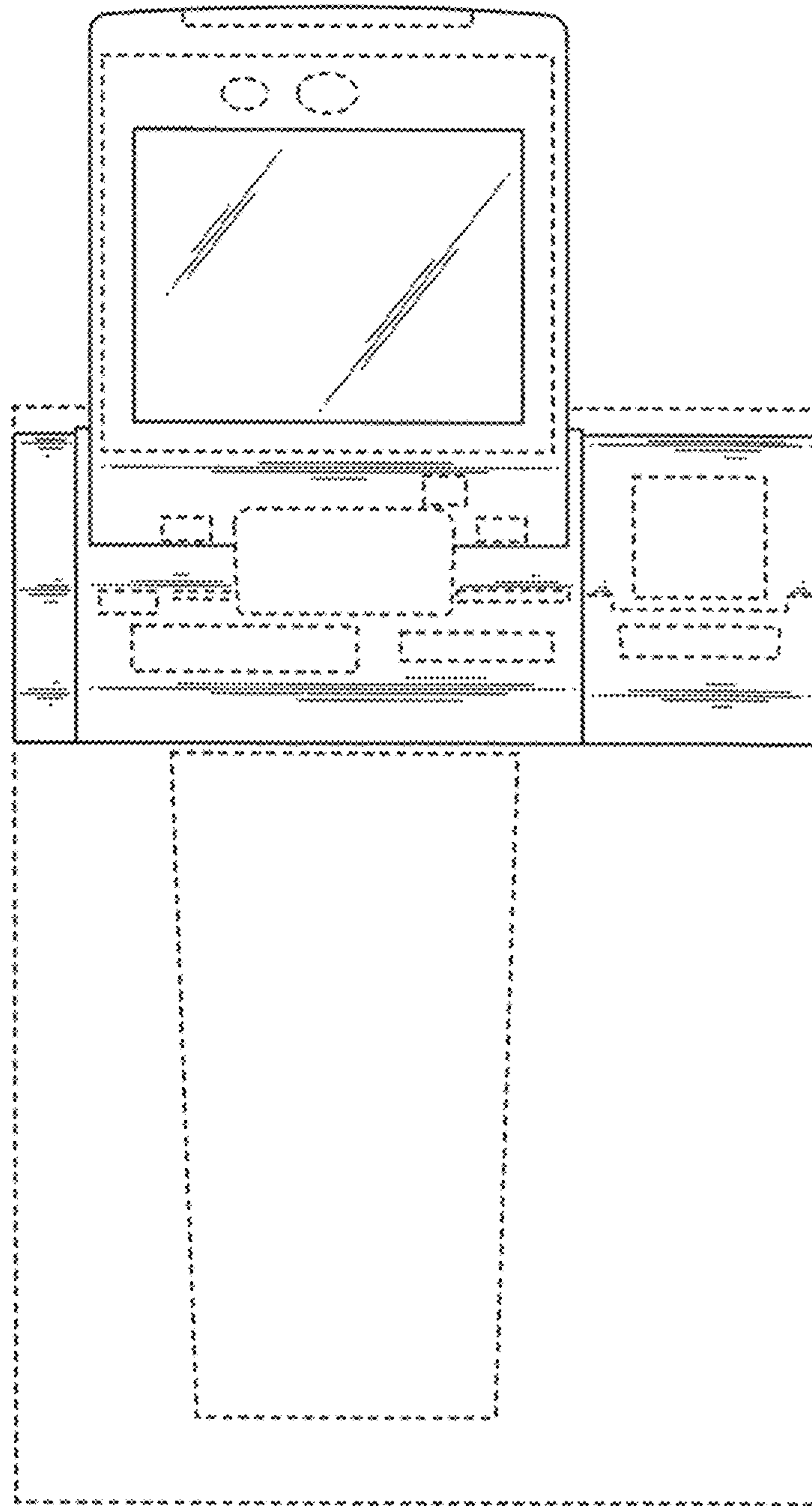


FIG. 2

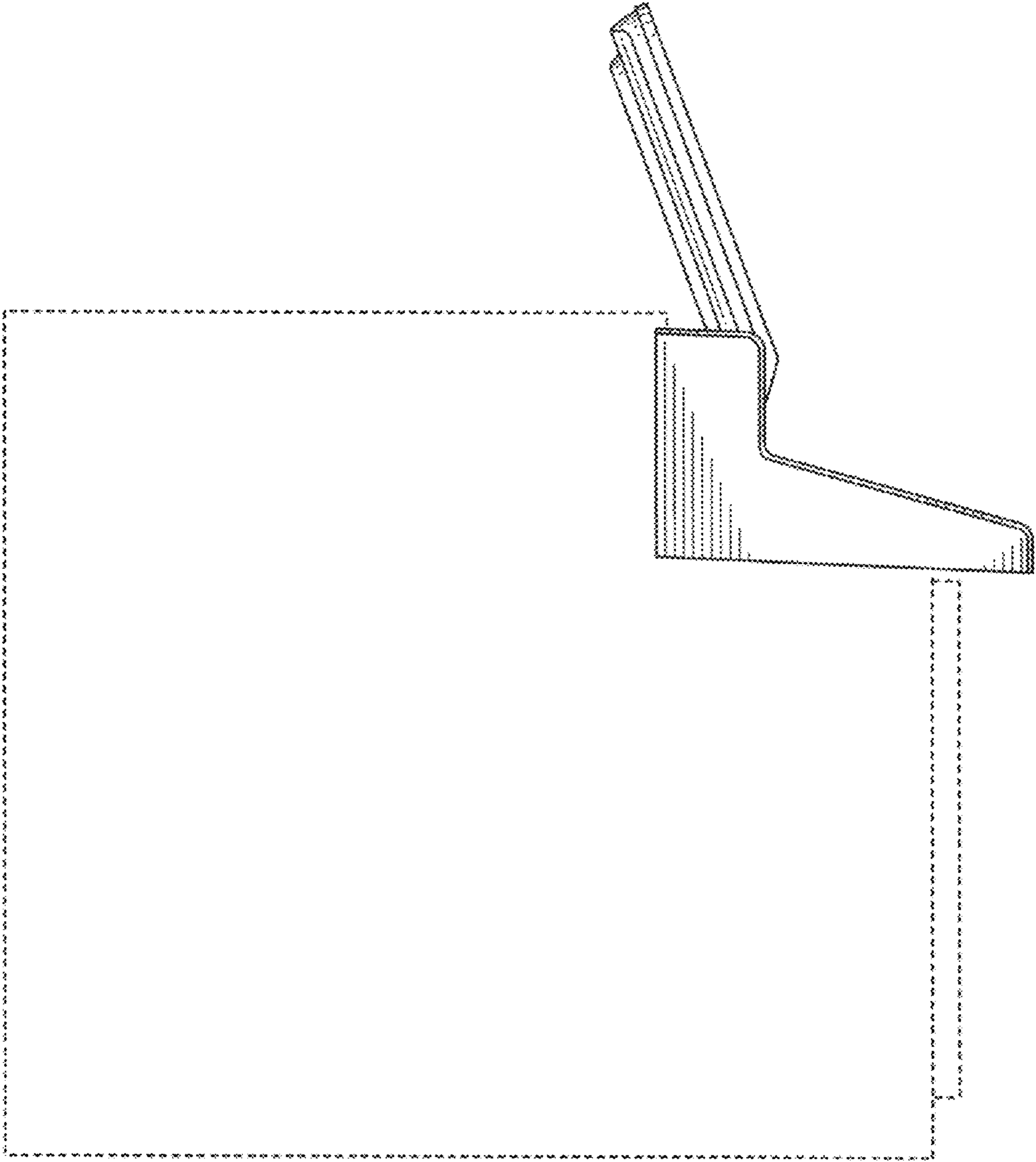


FIG. 3

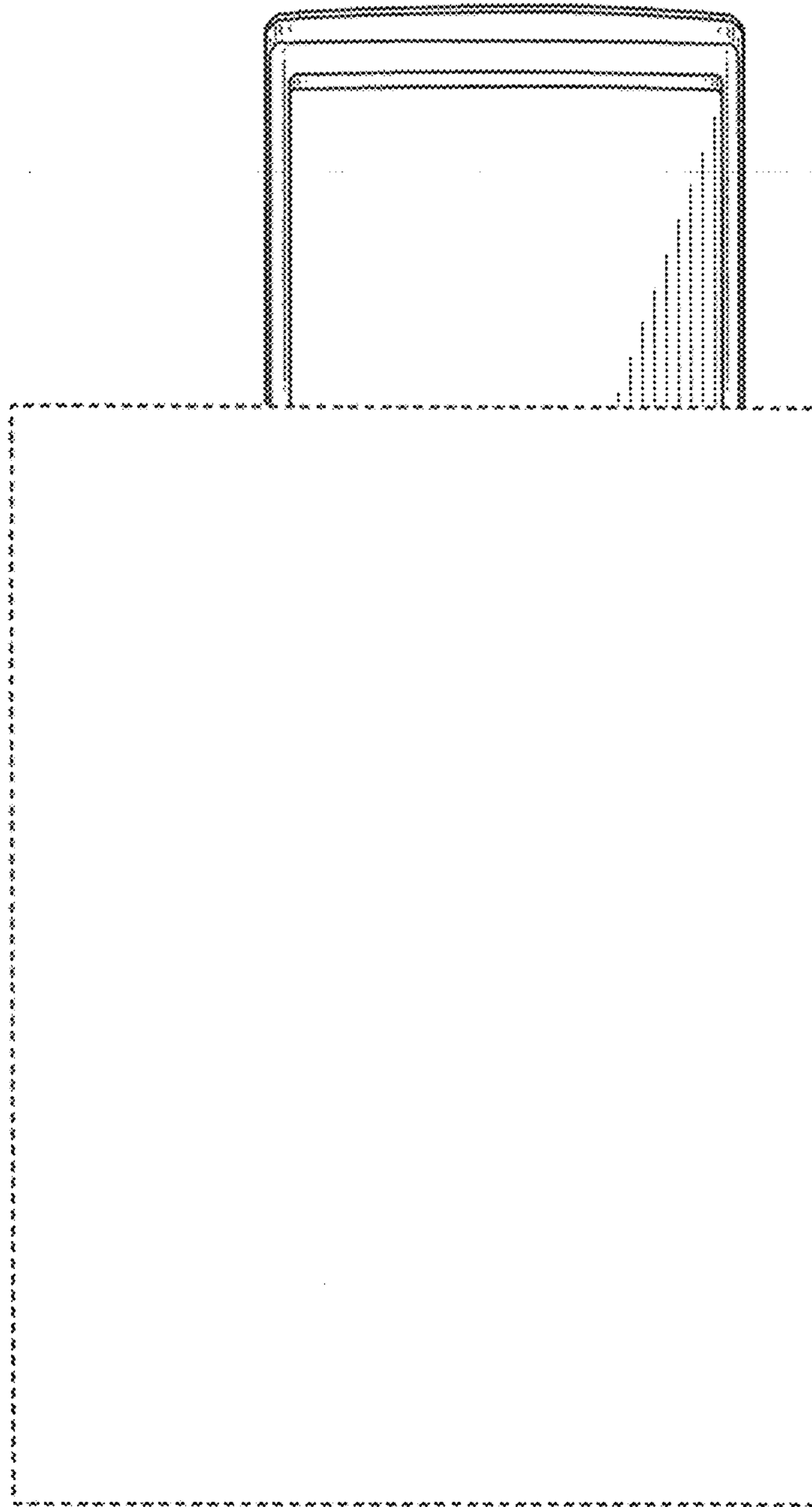


FIG. 4

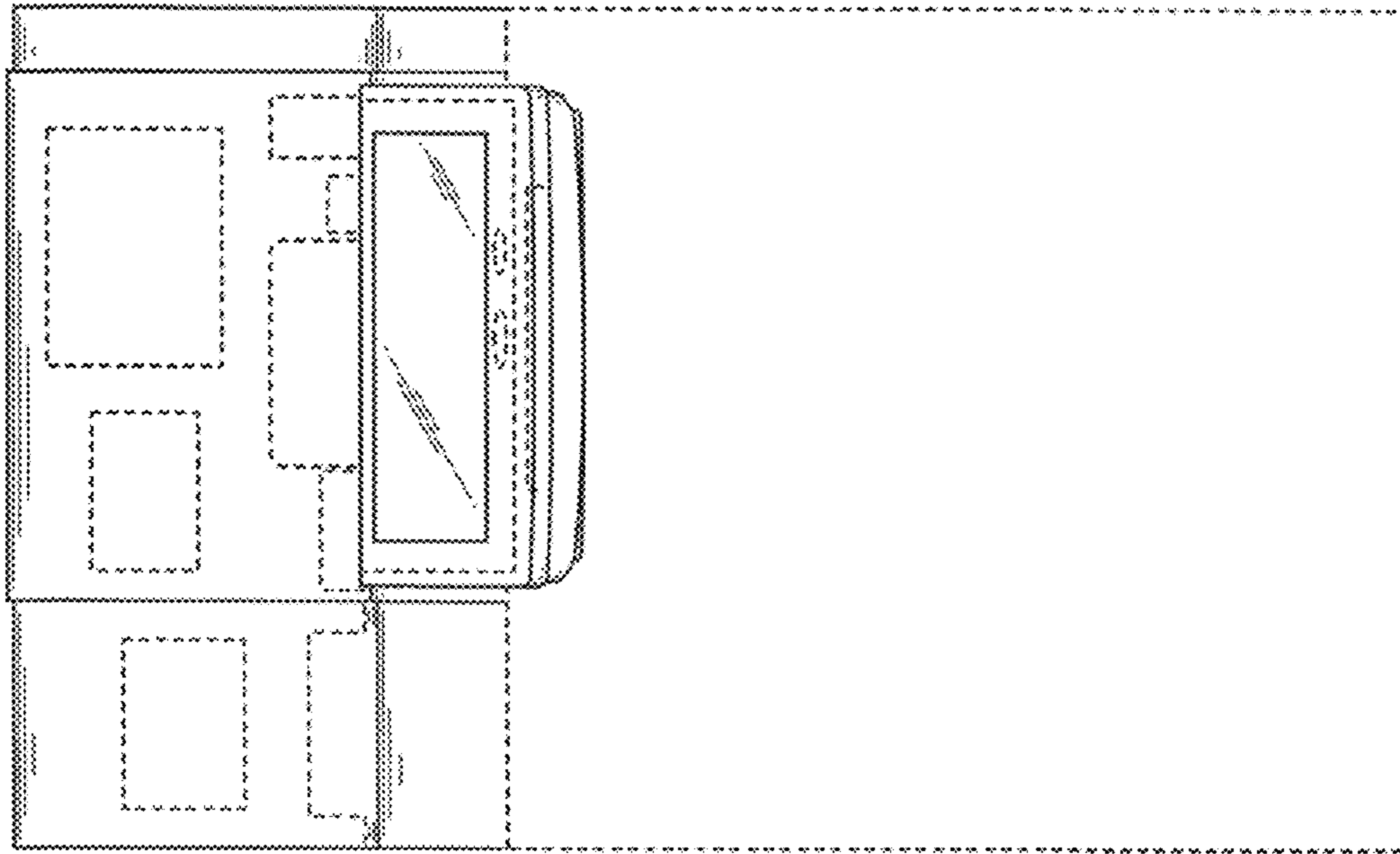


FIG. 5

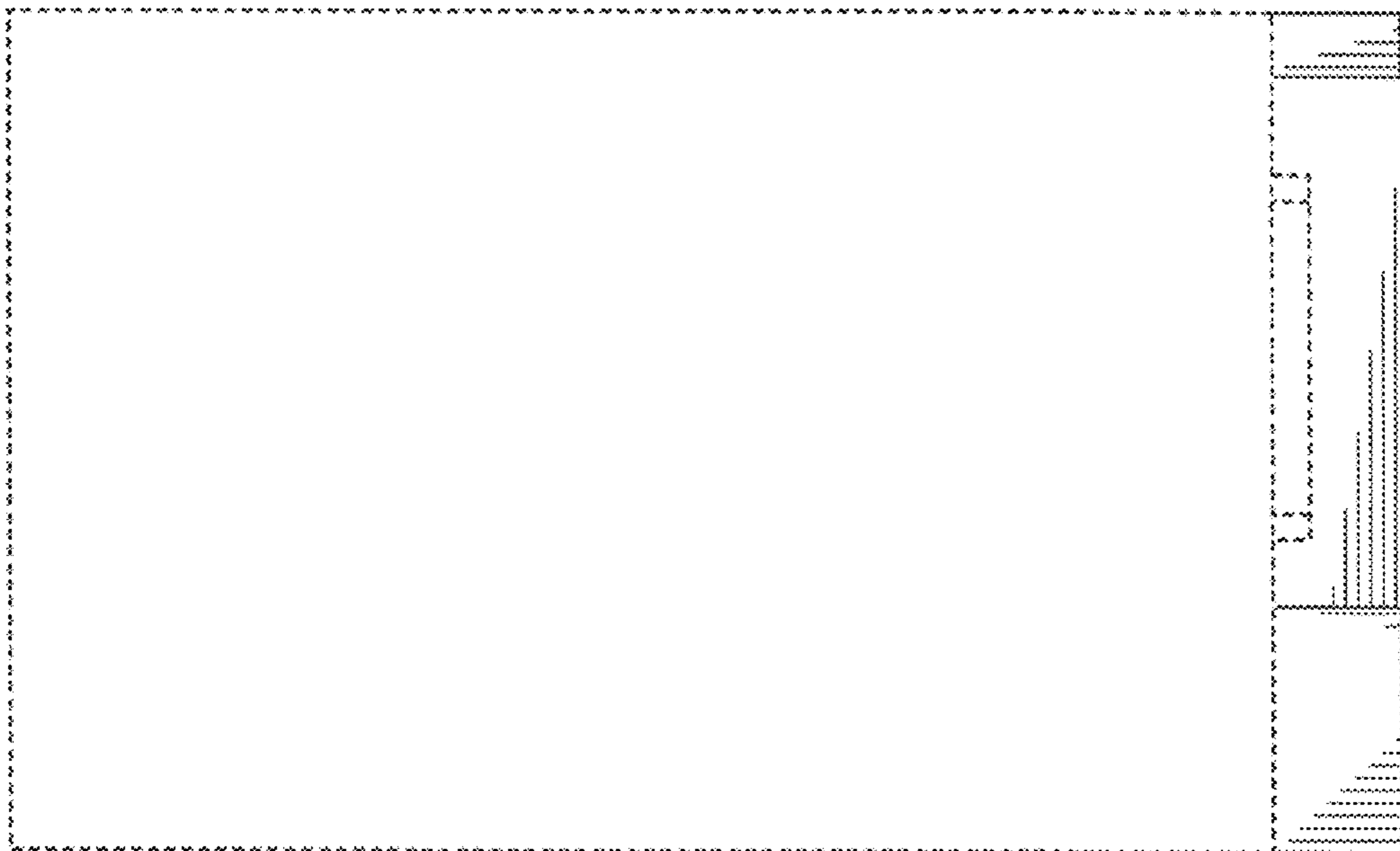


FIG. 6