



US00D774501S

(12) **United States Design Patent**
Lee et al.

(10) **Patent No.:** **US D774,501 S**
(45) **Date of Patent:** **** Dec. 20, 2016**

(54) **CASE FOR CELLULAR PHONE**

(71) Applicant: **LG ELECTRONICS INC.**, Seoul (KR)

(72) Inventors: **Hophil Lee**, Seoul (KR); **Dongeun Kim**, Seoul (KR); **Sanghyun Choi**, Seoul (KR)

(73) Assignee: **LG ELECTRONICS INC.**, Seoul (KR)

(**) Term: **15 Years**

(21) Appl. No.: **29/541,427**

(22) Filed: **Oct. 2, 2015**

(30) **Foreign Application Priority Data**

Apr. 2, 2015 (KR) 30-2015-0016830

(51) **LOC (10) Cl.** **14-03**

(52) **U.S. Cl.**
USPC **D14/250**

(58) **Field of Classification Search**
USPC D14/238.1, 440, 203.3–203.7, 217, 240, D14/447, 250, 251–253, 248, 496; D3/201, 218, 247, 269, 273, 301, 303; D13/103, 107–108, 119
CPC . H04B 1/3888; H04M 1/0283; H04M 1/0202; A45C 1/06; A45C 2011/002; A45C 11/00; A45C 13/02; A45F 2005/026; A45F 2200/0525; A45F 2200/0516
See application file for complete search history.

(56) **References Cited**

U.S. PATENT DOCUMENTS

D369,357 S * 4/1996 Ford D14/248
D380,477 S * 7/1997 Williams D14/250
D488,805 S * 4/2004 Arnholt D14/248

D499,546 S * 12/2004 Smithers D3/218
D589,951 S * 4/2009 Turner D14/248
D592,201 S * 5/2009 Shi D14/248
D601,955 S * 10/2009 Ekmekdje D13/102
D609,901 S * 2/2010 Behar D3/218
D610,579 S * 2/2010 Behar D14/250
D621,393 S * 8/2010 Panahi D13/103
D648,119 S * 11/2011 Jertson D3/218
D656,929 S * 4/2012 Hsiung D14/250
D663,947 S * 7/2012 Jertson D3/218
D682,260 S * 5/2013 Tages D14/250
D684,150 S * 6/2013 Goradesky D14/250
D697,503 S * 1/2014 Melanson D14/250
D697,716 S * 1/2014 Owen D3/303
D706,754 S * 6/2014 Goradesky D14/250
D719,945 S * 12/2014 Chiang D14/250
D720,735 S * 1/2015 Turocy D14/250
D735,184 S * 7/2015 Lee D14/250
D746,274 S * 12/2015 Herbst D14/250

(Continued)

Primary Examiner — Carla Jobe Wright

(74) *Attorney, Agent, or Firm* — Birch, Stewart, Kolasch & Birch, LLP

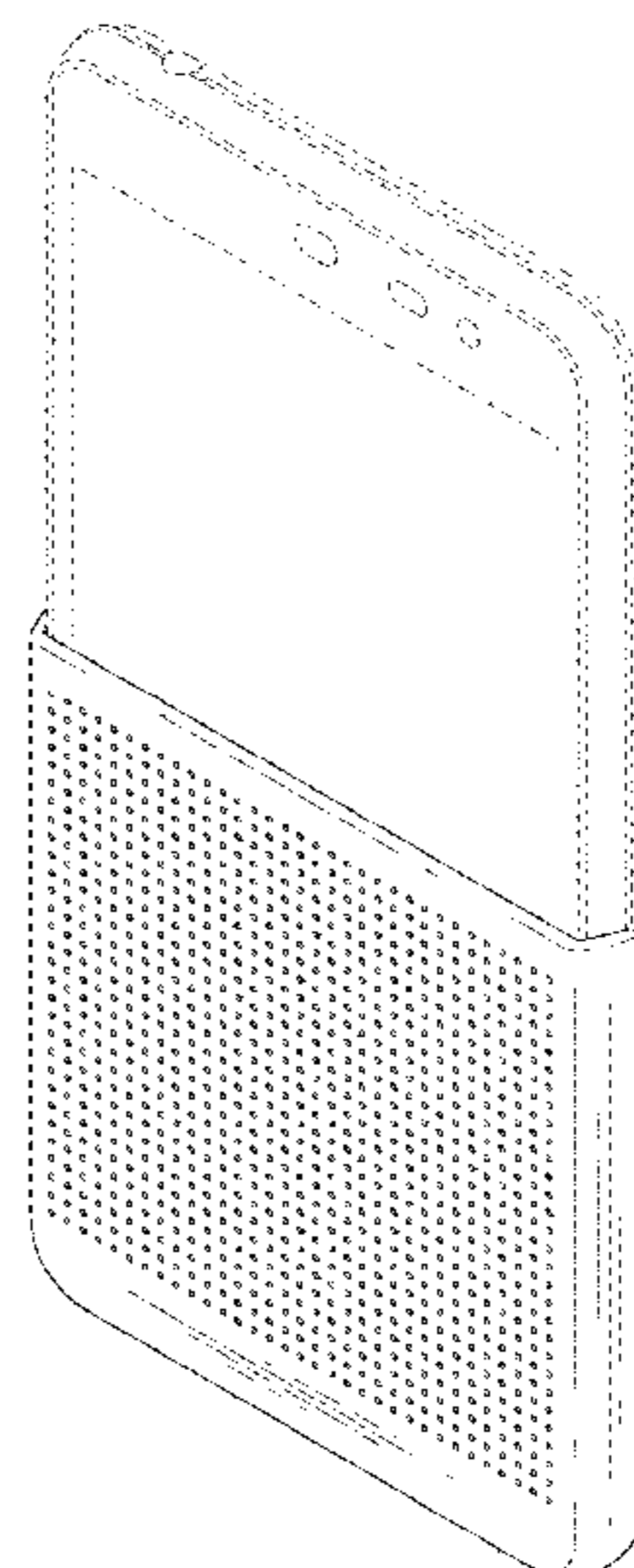
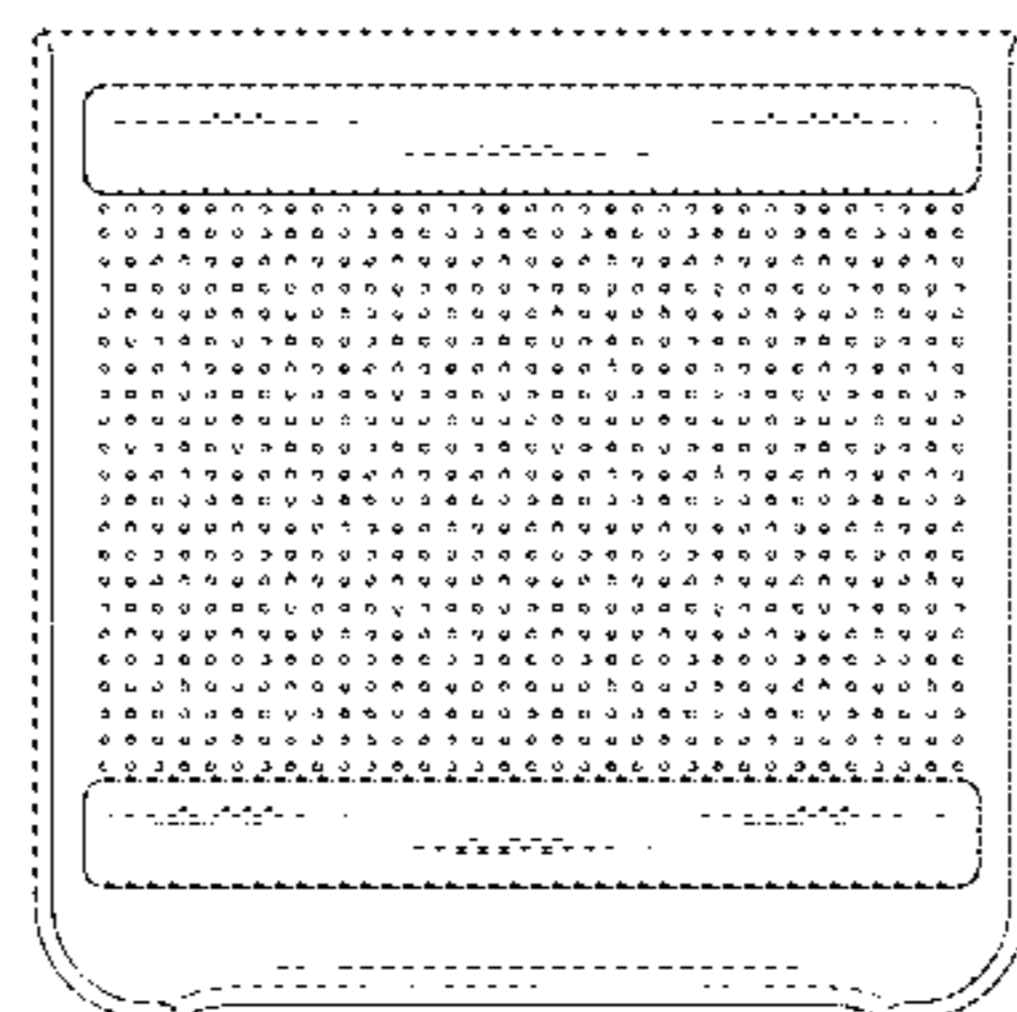
(57) **CLAIM**

The ornamental design for a case for cellular phone, as shown and described.

DESCRIPTION

FIG. 1 is a front, right side, perspective view of a case for cellular phone showing our new design; and
FIG. 2 is a front view thereof;
FIG. 3 is a rear view thereof;
FIG. 4 is a left side view thereof;
FIG. 5 is a right side view thereof;
FIG. 6 is a top view thereof;
FIG. 7 is a bottom view thereof; and,
FIG. 8 is a front, right side, perspective view thereof, shown in a state of use with an environmental cellular phone.
The broken lines in FIG. 8 depict an environmental cellular phone that forms no part of the claimed design.

1 Claim, 4 Drawing Sheets



(56)

References Cited

U.S. PATENT DOCUMENTS

2010/0084306 A1* 4/2010 Chiang A45C 11/00
206/523
2014/0092561 A1* 4/2014 Chen G06F 1/181
361/720
2015/0017905 A1* 1/2015 Li H05K 7/20136
454/184
2015/0194996 A1* 7/2015 Roberts B29C 63/02
455/575.8

* cited by examiner

FIG. 1

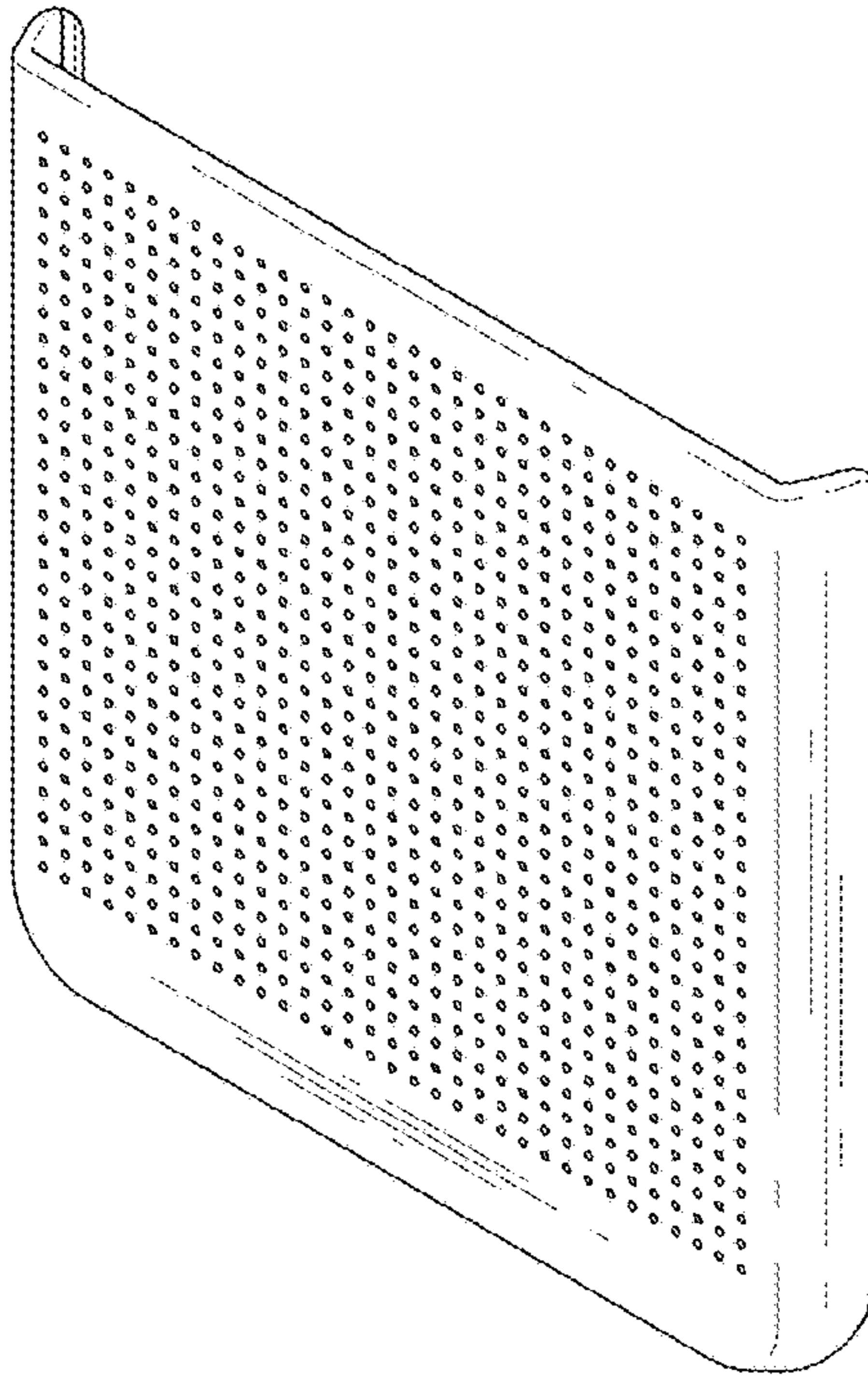


FIG. 2

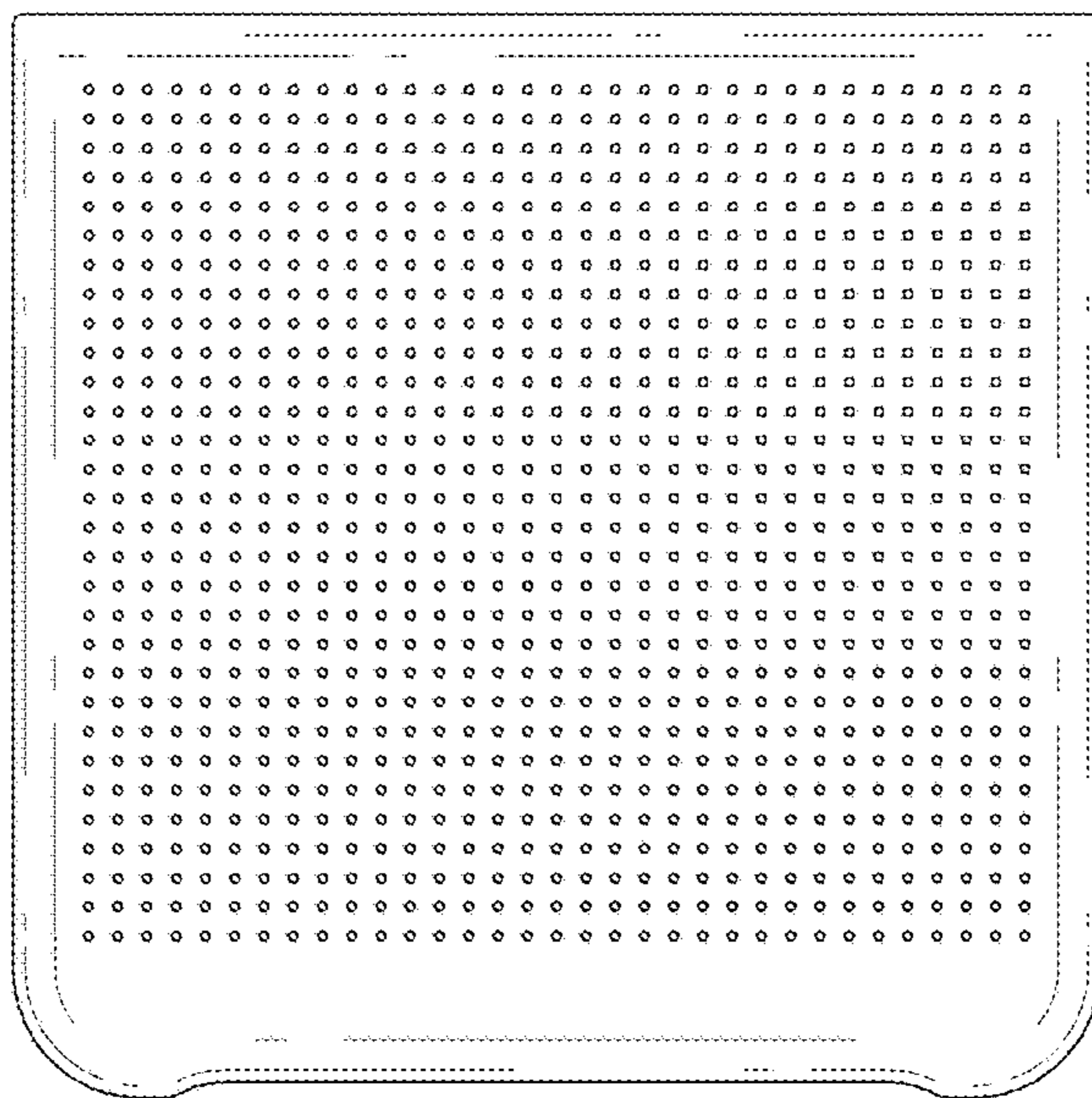


FIG. 3

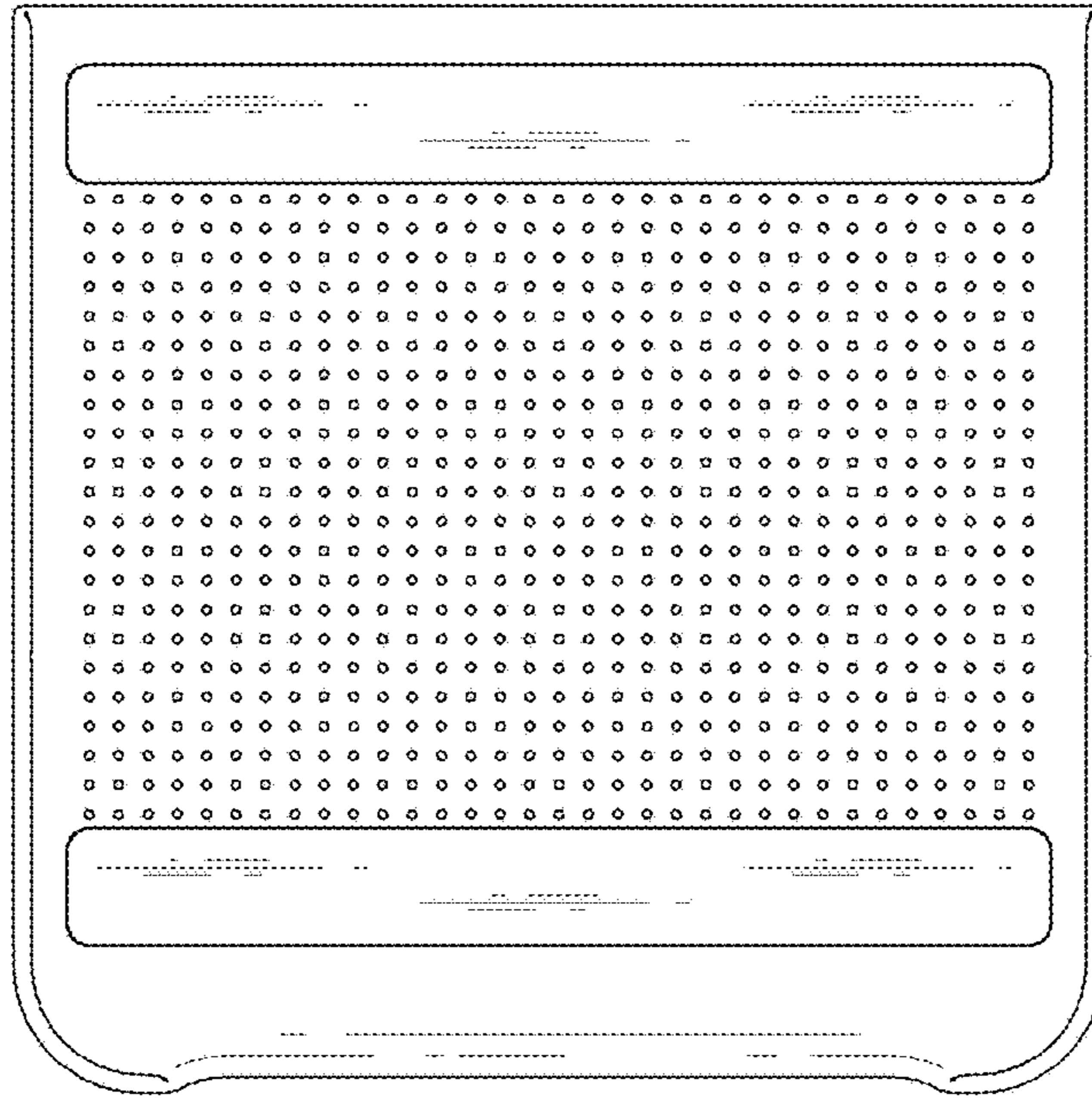


FIG. 4

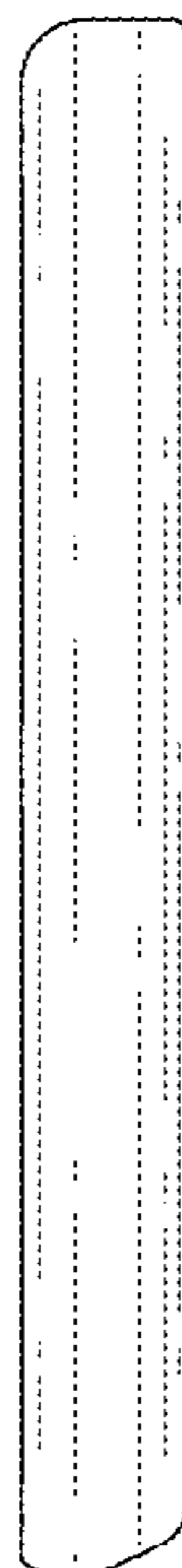


FIG. 5

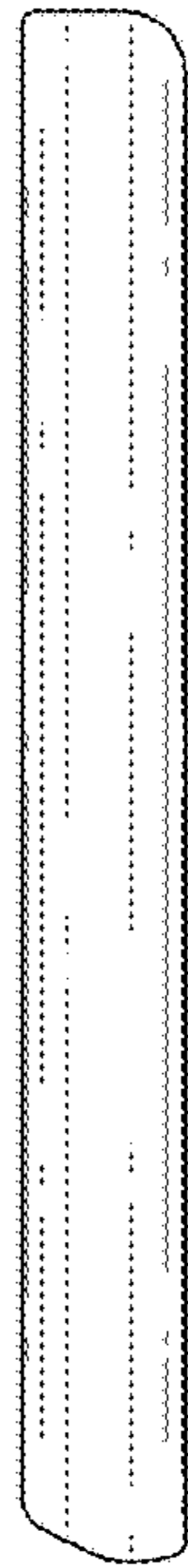


FIG. 6

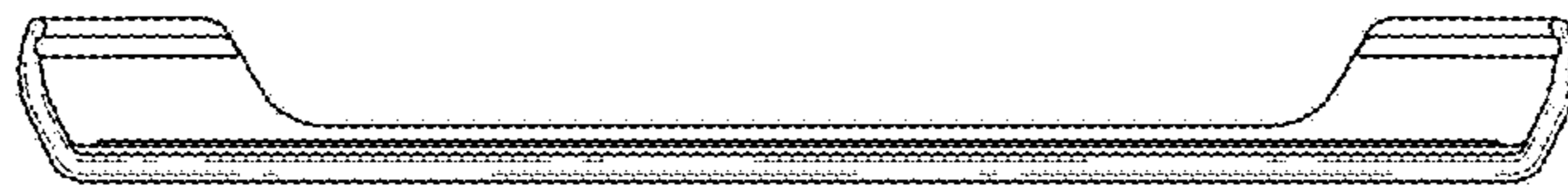


FIG. 7

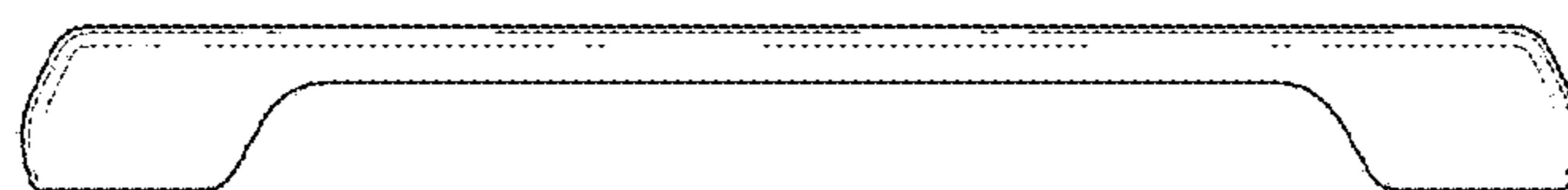


FIG. 8

