



US00D774500S

(12) **United States Design Patent** (10) **Patent No.:** **US D774,500 S**  
**Reese** (45) **Date of Patent:** **\*\* Dec. 20, 2016**

(54) **DEVICE CASE WITH STAND**  
(71) Applicant: **Griffin Technology, Inc.**, Nashville, TN (US)  
(72) Inventor: **Evan Reese**, Nashville, TN (US)  
(73) Assignee: **Griffin Technology, Inc.**, Nashville, TN (US)  
(\*\*) Term: **14 Years**  
(21) Appl. No.: **29/518,807**  
(22) Filed: **Feb. 27, 2015**  
(51) **LOC (10) Cl.** ..... **14-03**  
(52) **U.S. Cl.**  
USPC ..... **D14/250**  
(58) **Field of Classification Search**  
USPC ..... D14/138 AA, 138 C, 138 G, 138 R, 143, D14/189, 203.2–203.7, 217, 238.1, 240, D14/248, 250–253, 341, 345, 347, 440, D14/447, 496, 507; D13/103, 108; D3/201, 218, 247, 269, 273, 303  
CPC ..... A45C 1/06; A45C 11/00; A45C 2011/002; A14C 13/02; A14C 13/002; A45F 2005/026; A45F 2200/0525; A45F 2200/516; H04B 1/3888; H04M 1/0283; H04M 1/0202  
See application file for complete search history.

2012/0106054 A1\* 5/2012 Royz ..... F16M 11/10 361/679.3  
2014/0262855 A1\* 9/2014 Gandhi ..... A45C 11/00 206/45.24  
2015/0156297 A1\* 6/2015 Crawford ..... H04B 5/0037 455/26.1  
2016/0028430 A1\* 1/2016 Crawford ..... H04B 5/0037 455/575.8  
2016/0113368 A1\* 4/2016 Tu ..... A45C 11/00 206/45.23

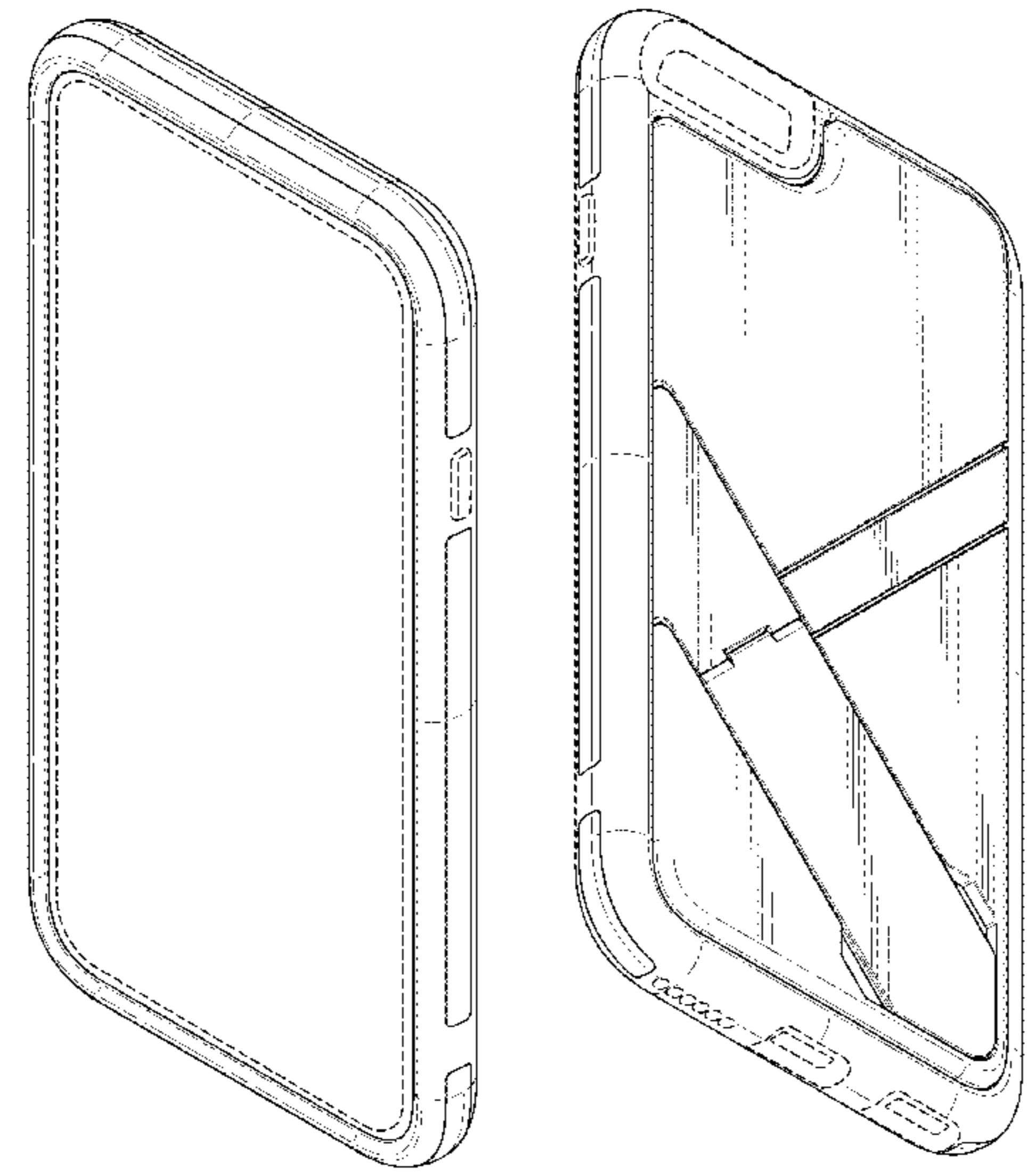
\* cited by examiner  
*Primary Examiner* — Eric Goodman  
*Assistant Examiner* — Amy Wierenga  
(74) *Attorney, Agent, or Firm* — Hornkohl Intellectual Property Law, PLLC; Jason L. Hornkohl

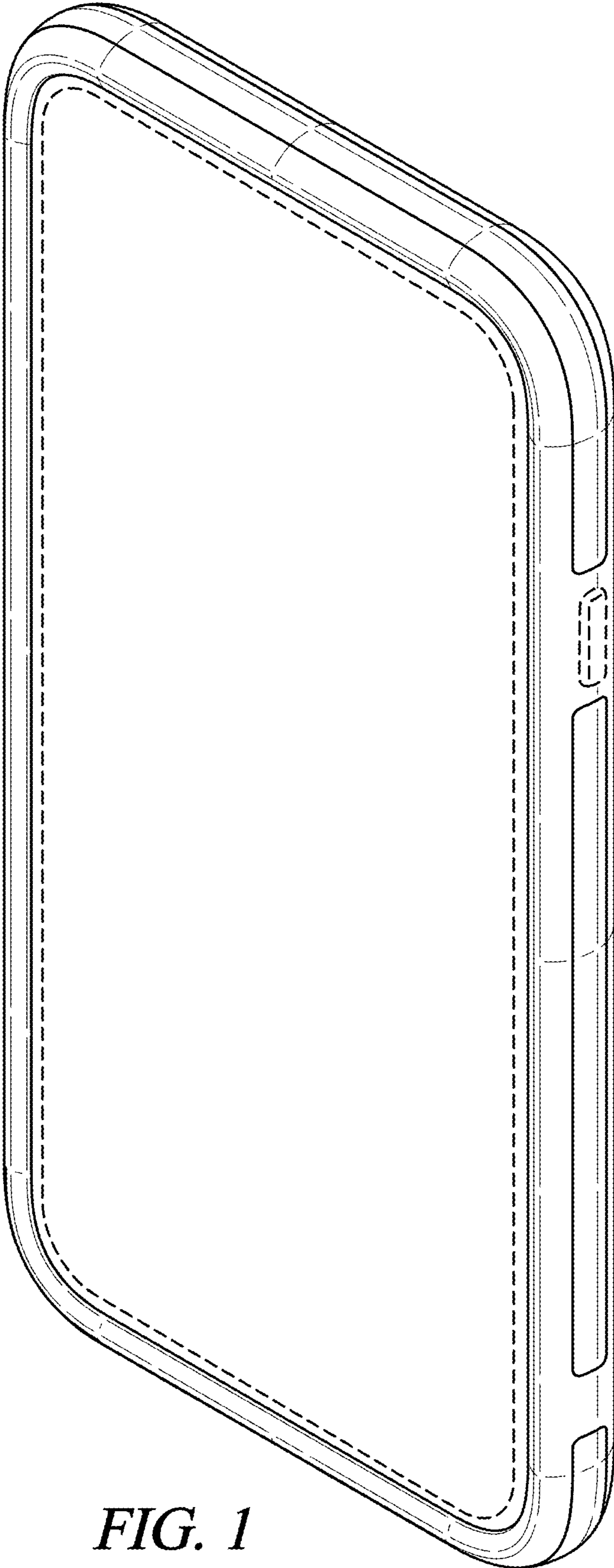
(56) **References Cited**  
U.S. PATENT DOCUMENTS  
D663,294 S \* 7/2012 Buxton ..... D14/250  
D673,546 S \* 1/2013 Magness ..... D14/250  
D679,271 S \* 4/2013 Liu ..... D13/103  
D706,254 S \* 6/2014 Chang ..... D14/217  
D749,557 S \* 2/2016 Feng ..... D14/250  
D755,153 S \* 5/2016 Steiner ..... D14/138 R  
D755,773 S \* 5/2016 Kim ..... D14/250  
2009/0017883 A1\* 1/2009 Lin ..... A45C 11/00 455/575.8

(57) **CLAIM**  
The ornamental design for a device case with stand, as shown and described.

**DESCRIPTION**  
FIG. 1 is an isometric front view of the new design for a device case with stand;  
FIG. 2 is an isometric back view of the new design for a device case with stand;  
FIG. 3 is a front view of the device case with stand;  
FIG. 4 is a left side view of the device case with stand;  
FIG. 5 is a right side view of the device case with stand;  
FIG. 6 is a top view of the device case with stand;  
FIG. 7 is a bottom view of the device case with stand;  
FIG. 8 is a back view of the device case with stand;  
FIG. 9 is a right side view of the device case with stand with the stand in the open position; and,  
FIG. 10 is an isometric back view of the device case with stand with the stand in the open position.  
The broken lines depict portions of the device case with stand that form no part of the claim.

**1 Claim, 8 Drawing Sheets**





*FIG. 1*

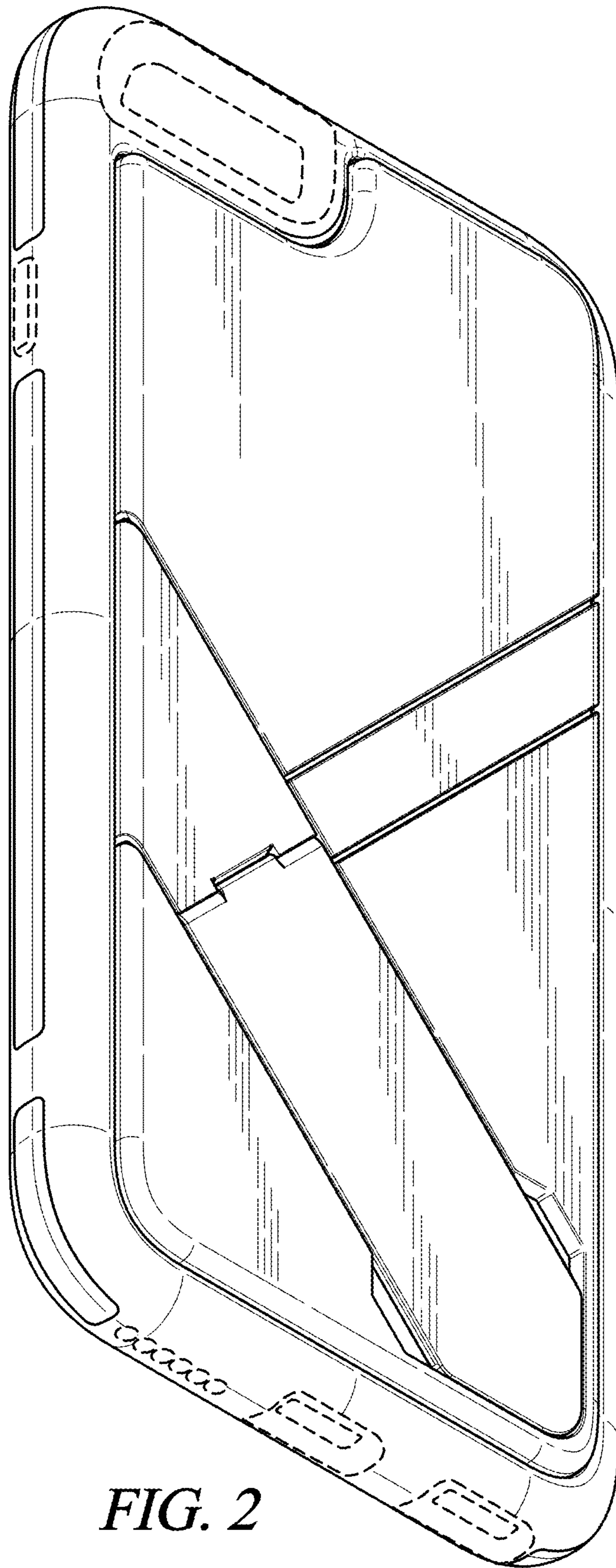
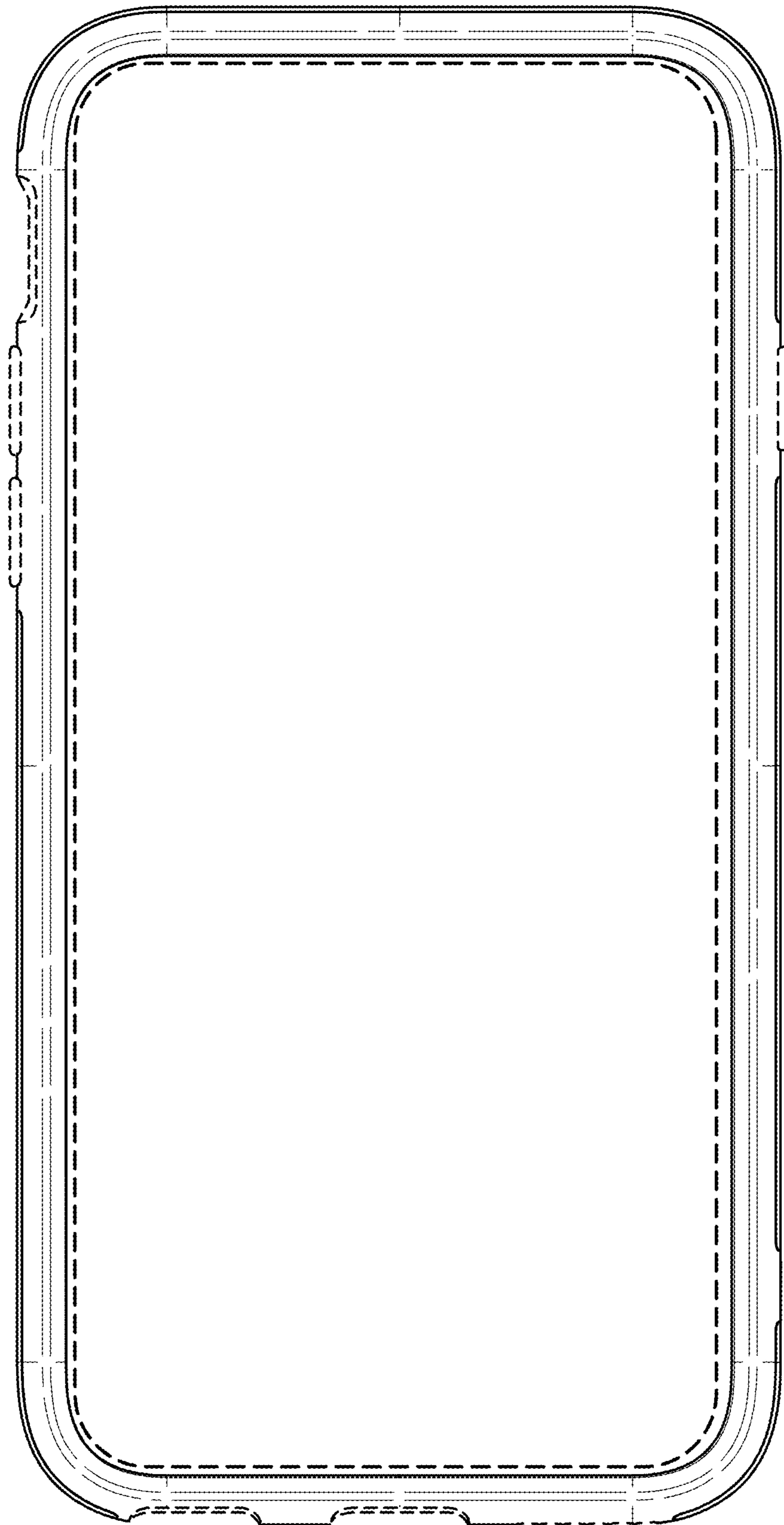
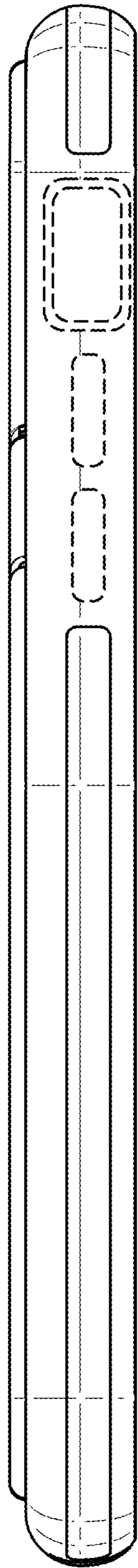


FIG. 2

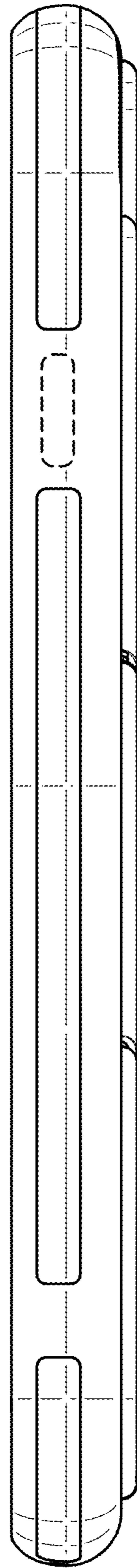




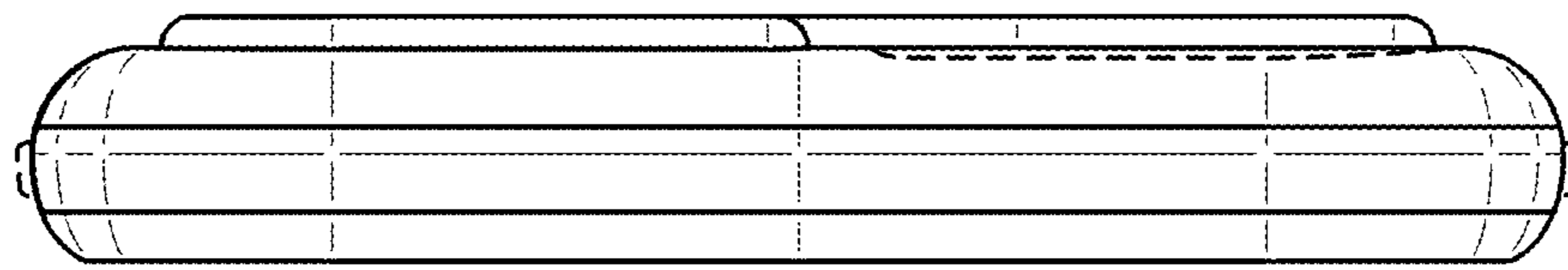
*FIG. 3*



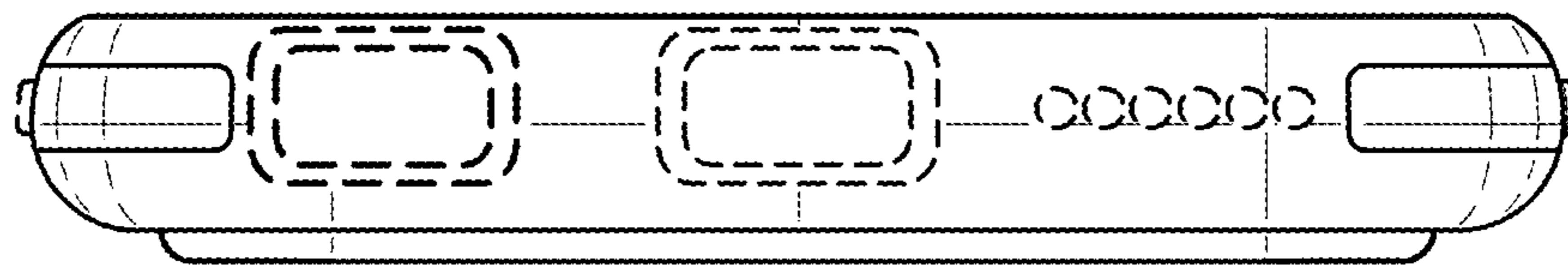
*FIG. 4*



*FIG. 5*



*FIG. 6*



*FIG. 7*

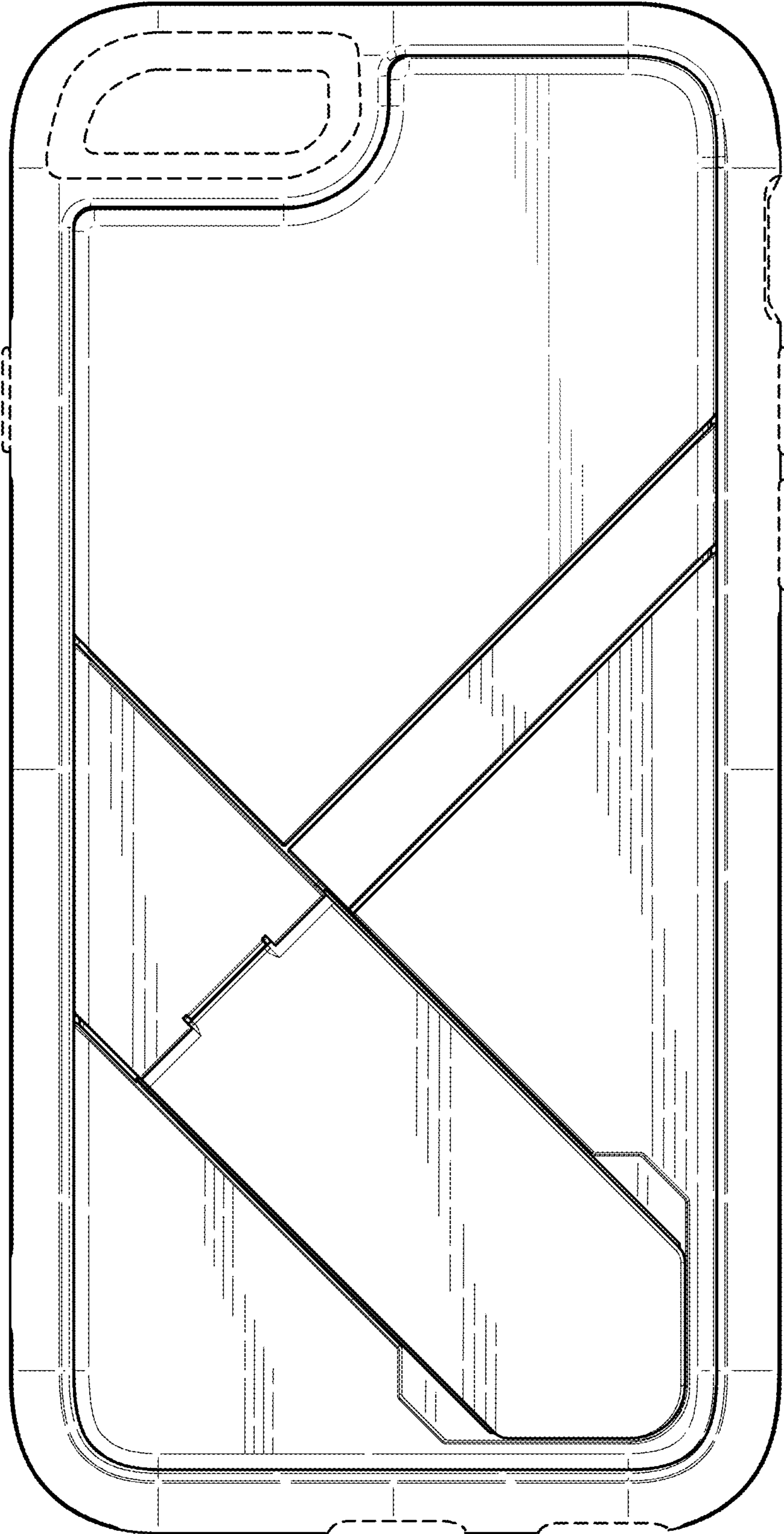
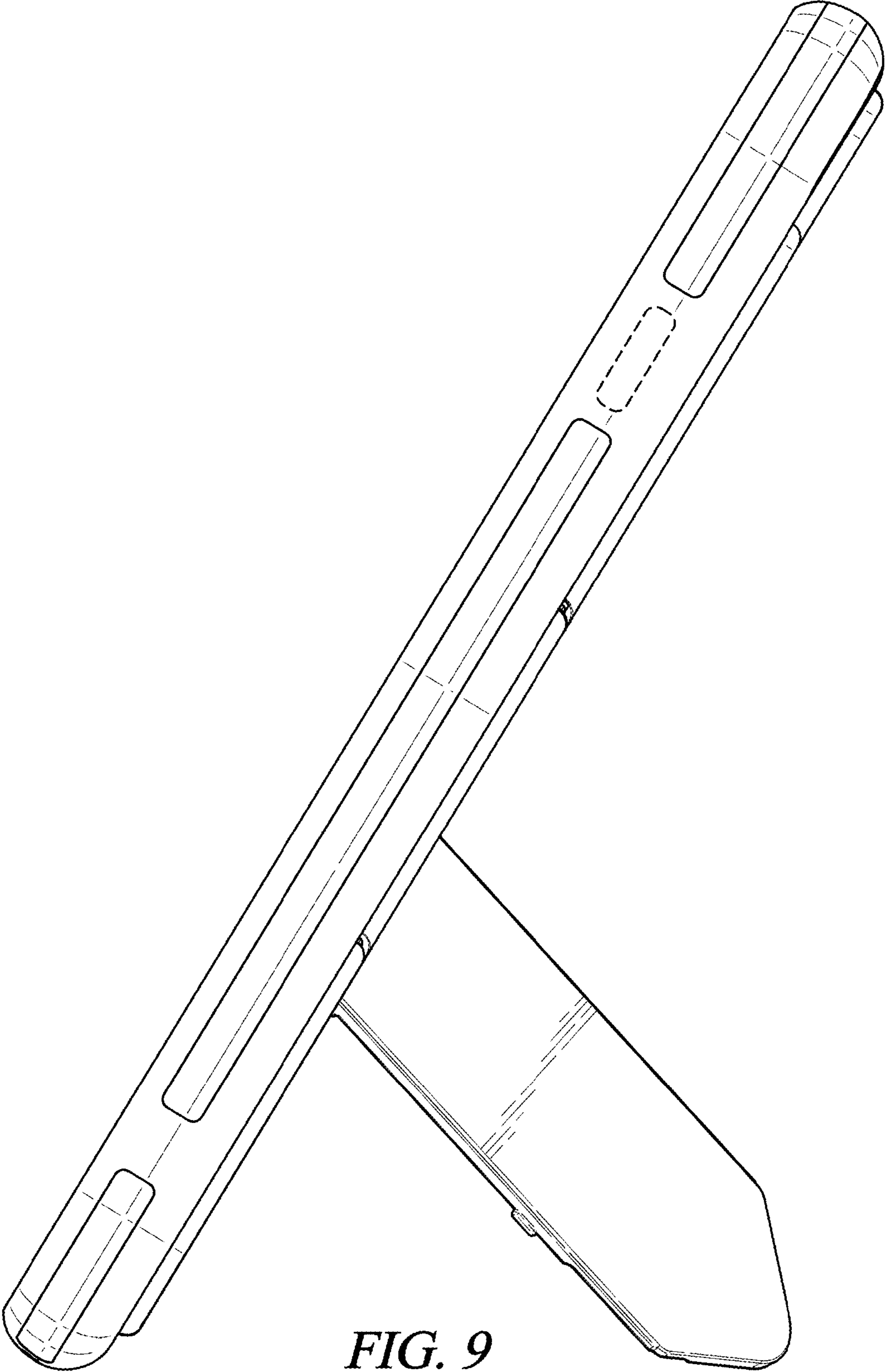
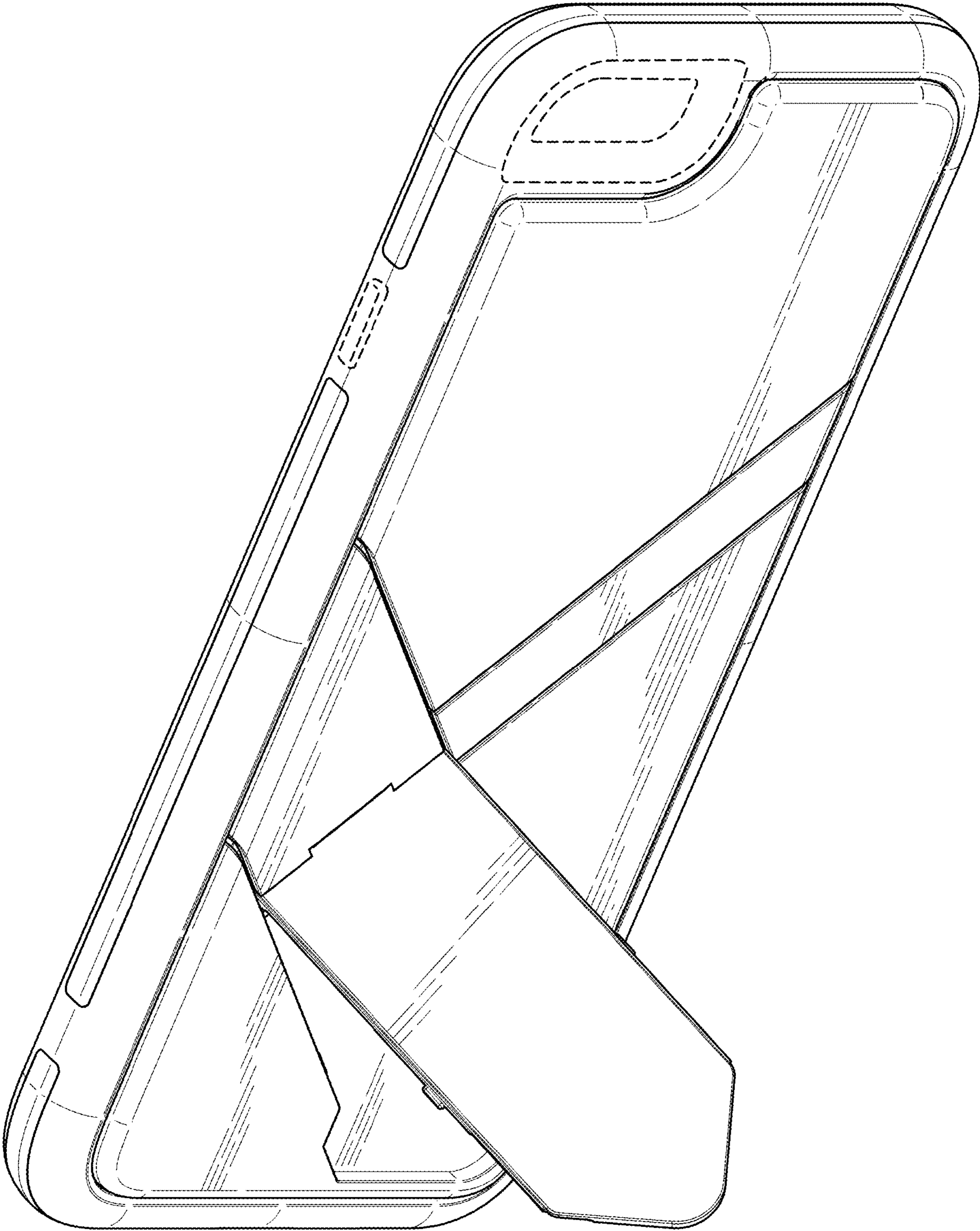


FIG. 8



**FIG. 9**





*FIG. 10*