



US00D774493S

(12) **United States Design Patent** (10) **Patent No.:** **US D774,493 S**
Wong et al. (45) **Date of Patent:** **** Dec. 20, 2016**

(54) **REMOTE CONTROL**

(71) Applicant: **SKY UK LIMITED**, Isleworth, Middlesex (GB)
(72) Inventors: **Andrew Wong**, Herrenberg (DE); **Christopher Kuh**, San Francisco, CA (US)
(73) Assignee: **SKY UK LIMITED**, Isleworth, Middlesex (GB)

(**) Term: **15 Years**

(21) Appl. No.: **29/564,954**
(22) Filed: **May 17, 2016**

Related U.S. Application Data

(62) Division of application No. 29/521,038, filed on Mar. 19, 2015.

(30) **Foreign Application Priority Data**

Sep. 19, 2014 (EM) 001421416-001
Sep. 19, 2014 (EM) 001421416-002
Sep. 19, 2014 (EM) 001421416-003
Sep. 19, 2014 (EM) 001421416-004

(51) **LOC (10) Cl.** **14-03**
(52) **U.S. Cl.**
USPC **D14/218**

(58) **Field of Classification Search**
USPC D14/137, 174, 217-218, 240, 247, D14/388-390, 396, 511, 485, 489, 490, D14/491, 492; D21/516; D13/162-164, D13/168, 174; 715/738; 434/350; 600/323; 348/211.99, 14.05, 114, 734; 341/175-176; 455/575.1
CPC G08C 23/04; G08C 19/12; H04N 5/44; H04L 17/02
See application file for complete search history.

(56) **References Cited**

U.S. PATENT DOCUMENTS

2,505,424 A 4/1950 Moseley 343/776
D331,760 S * 12/1992 Renk, Jr. D14/218
(Continued)

FOREIGN PATENT DOCUMENTS

AU 330042 S 2/2010
DE 40207813-0001 3/2003
(Continued)

OTHER PUBLICATIONS

Andriod TV Box Remote Control Air Mouse Andriod Air Fly Mouse, archived on Oct. 12, 2013 [online][site visited Aug. 26, 2014] http://xqj.en.alibaba.com/product/939063601-218809016/Android_TV_Box_Remote_Control_Air_Mouse_Android_Air_Fly_Mouse.html.
(Continued)

Primary Examiner — Ralf Seifert
(74) *Attorney, Agent, or Firm* — Rothwell, Figg, Ernst & Manbeck PC

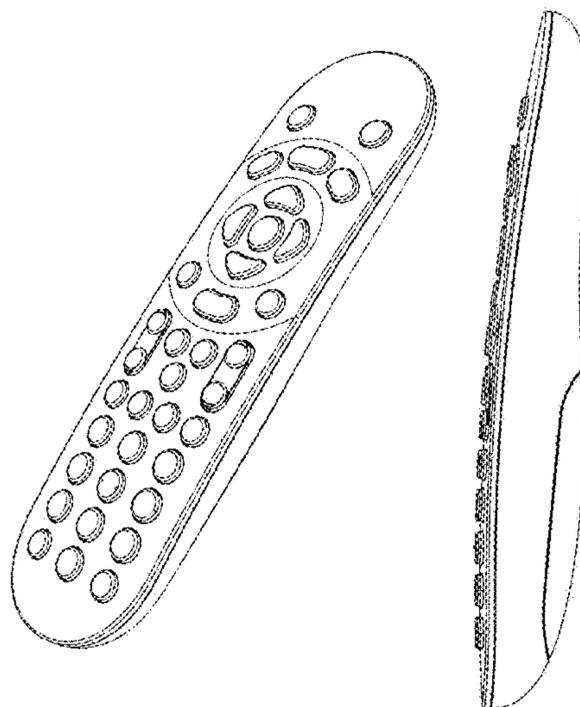
(57) **CLAIM**

The ornamental design for a remote control, as shown and described.

DESCRIPTION

FIG. 1 shows a perspective view of a remote control showing a new design;
FIG. 2 shows a front elevation view thereof;
FIG. 3 shows a rear elevation view thereof;
FIG. 4 shows a right side elevation view thereof;
FIG. 5 shows a left side elevation view thereof;
FIG. 6 shows a top plan view thereof; and,
FIG. 7 shows a bottom plan view thereof.

1 Claim, 7 Drawing Sheets



(56)

References Cited

U.S. PATENT DOCUMENTS

D342,070 S * 12/1993 Takama D14/218
 D356,570 S * 3/1995 Shinohara D14/218
 D363,486 S * 10/1995 Shinohara D14/218
 D366,043 S * 1/1996 Hara D14/218
 D366,044 S * 1/1996 Hara D14/218
 D366,876 S 2/1996 Labohm D14/218
 D367,060 S * 2/1996 Augaitis D14/218
 D368,721 S 4/1996 Howell et al. D14/240
 D372,245 S * 7/1996 Brooks D14/218
 D373,588 S 9/1996 Bowen et al. D14/218
 D377,797 S 2/1997 Stropkay et al. D14/218
 D379,816 S * 6/1997 Laituri D14/218
 D380,473 S * 7/1997 Otani D14/218
 D381,634 S * 7/1997 Yanku D13/168
 D381,661 S * 7/1997 Althans D14/218
 D387,352 S 12/1997 Kaneko et al. D14/248
 D393,628 S 4/1998 Ledbetter et al. D13/168
 5,973,757 A 10/1999 Aubuchon et al. 14/218
 D417,670 S 12/1999 Capps et al. D14/218
 D417,671 S 12/1999 Chorpensing et al. D14/218
 D417,673 S 12/1999 Choi D14/248
 D434,409 S 11/2000 Clapper D14/218
 D436,588 S 1/2001 Nakayama et al. D14/218
 D485,546 S 1/2004 Olson et al. D14/218
 D489,711 S 5/2004 James et al. D14/218
 D499,396 S 12/2004 Lin D14/218
 D504,885 S 5/2005 Zhang et al. D14/218
 D515,557 S 2/2006 Okuley D14/218
 D516,545 S 3/2006 Lai D14/218
 D517,050 S 3/2006 Mabry et al. D14/218
 D517,530 S 3/2006 Mabry et al. D14/218
 D520,991 S 5/2006 Ma et al. D14/240
 D527,375 S 8/2006 Flora et al. D14/218
 D531,136 S 10/2006 Schoenert et al. D13/168
 D533,165 S 12/2006 Knight et al.
 D542,234 S 5/2007 Shimizu D13/168
 D542,281 S 5/2007 Mabry et al. D14/218
 D546,807 S 7/2007 Lee D14/138 AA
 D568,827 S 5/2008 Ikeda et al. D13/168
 D571,305 S 6/2008 Thursfield D13/168
 D573,957 S 7/2008 Ledbetter et al. D13/168
 D580,914 S 11/2008 Tsao D14/218
 D583,855 S 12/2008 Oas D18/7

D595,669 S 7/2009 Endo et al. D13/168
 D596,163 S 7/2009 Madonna et al. D14/218
 D600,681 S 9/2009 Tsao D14/218
 D605,179 S 12/2009 Rudolph et al. D14/218
 D605,180 S 12/2009 Rudolph et al. D14/218
 D611,433 S 3/2010 Tang et al. D13/168
 D614,605 S 4/2010 Teh et al. D14/218
 D622,685 S 8/2010 Garra et al. D14/137
 D630,188 S 1/2011 Daniels D14/218
 D634,734 S 3/2011 Cho D14/218
 D636,761 S 4/2011 Hansen et al. D14/218
 D646,280 S 10/2011 Yano D14/412
 D648,285 S 11/2011 Kashimoto D13/168
 D664,946 S 8/2012 Morris et al. D14/218
 D681,608 S 5/2013 Takami et al. D14/218
 D684,939 S 6/2013 Cook et al. D13/168
 D695,272 S 12/2013 Hansen et al. D14/218
 D697,057 S 1/2014 Kwon et al. D14/218
 D697,874 S 1/2014 Stusynski et al. D13/168
 D699,223 S 2/2014 Maier et al. D14/218
 2004/0203523 A1 10/2004 Harmon 455/90.3

FOREIGN PATENT DOCUMENTS

EP 000486683-0001 4/2006
 EP 000596275-0001 10/2006
 EP 001656554-0001 1/2010
 EP 001200968-0002 4/2010
 EP 001694399-0001 4/2010
 EP 001750100-0002 7/2011
 EP 002081166-0001 8/2012
 EP 002105809-0001 9/2012
 EP 002105809-0002 9/2012
 EP 001351399-0001 11/2012
 EP 002124511-0001 1/2013
 GB 2038735 4/1994
 JP D2009-19744 8/2008
 JP D2012-7066 3/2012

OTHER PUBLICATIONS

Keyspan Tune View for iPod, announced Mar. 13, 2007
 [online][Site Visited Aug. 26, 2014] http://the-gadgeteer.com/2007/03/13/keysan_tuenview_for_ipod/.

* cited by examiner

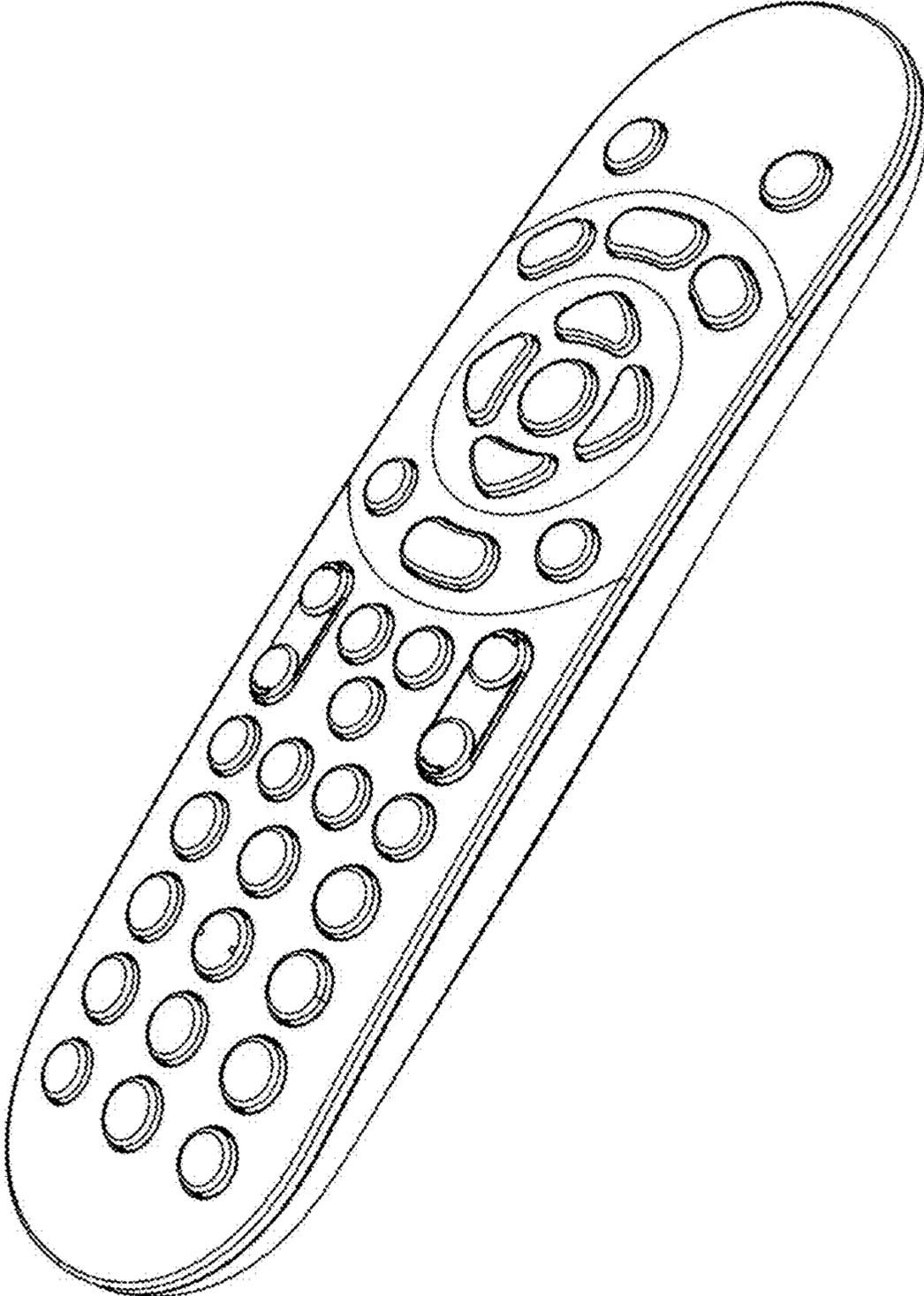


Fig. 1

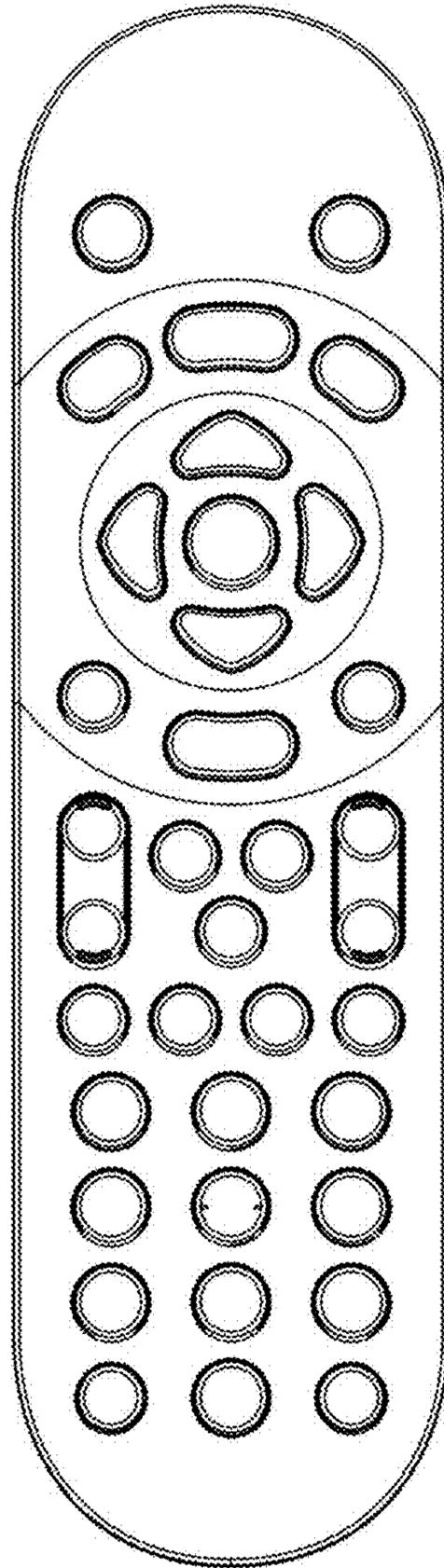


Fig. 2

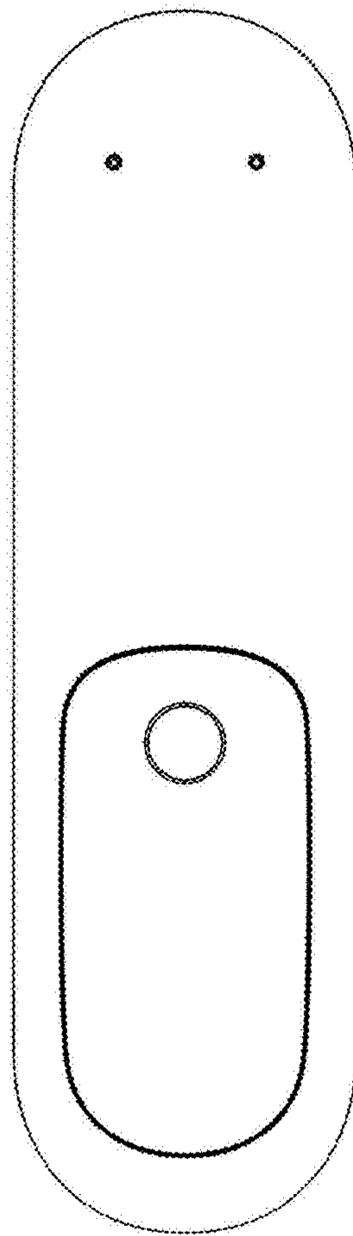


Fig. 3

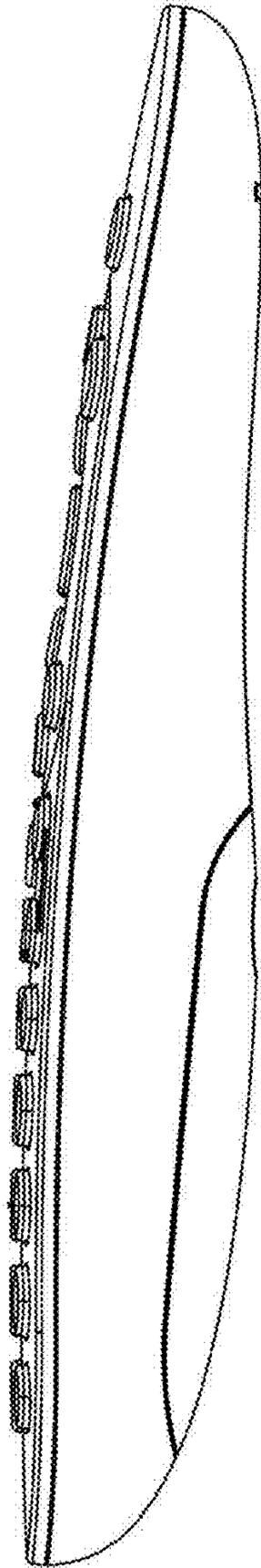


Fig. 4

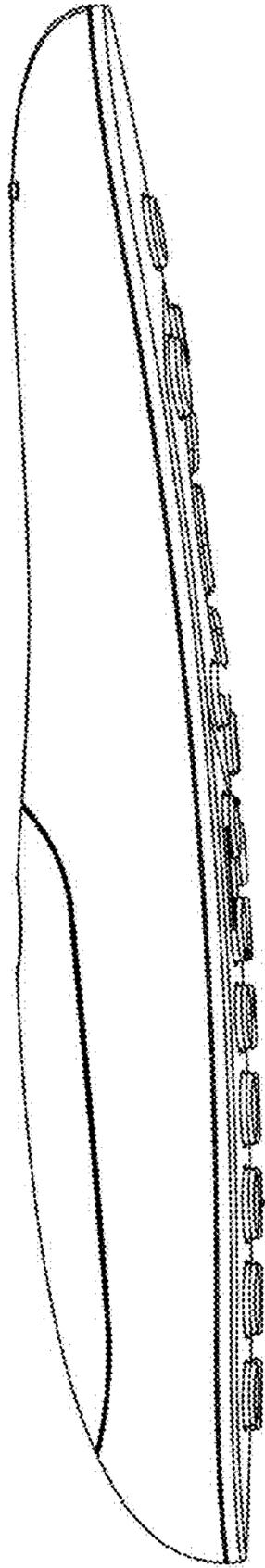


Fig. 5

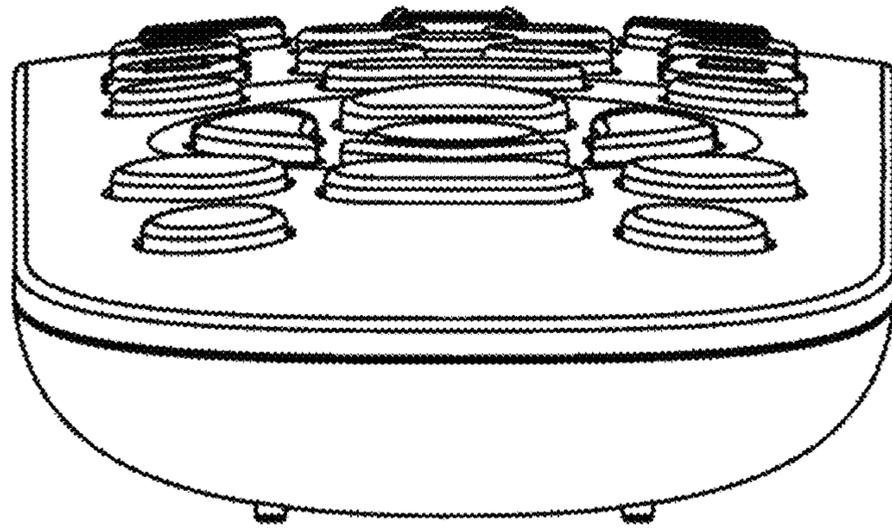


Fig. 6

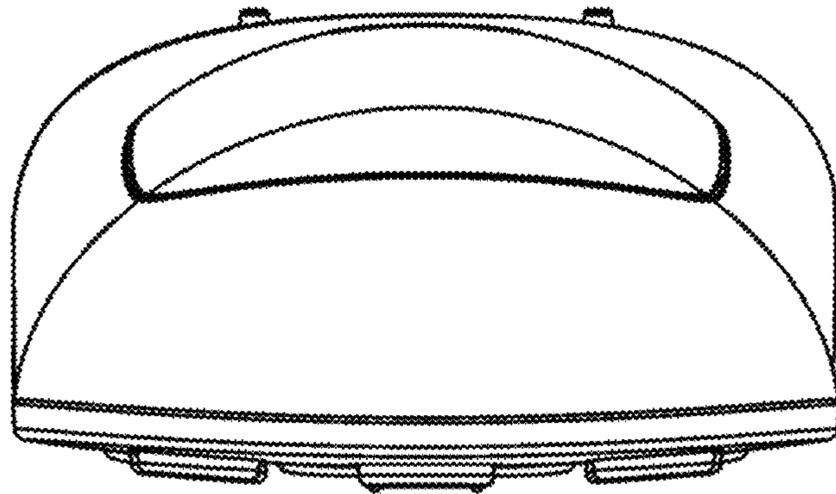


Fig. 7