



US00D774492S

(12) **United States Design Patent** (10) **Patent No.:** **US D774,492 S**
Jinjin (45) **Date of Patent:** **** Dec. 20, 2016**

(54) **WIRELESS SPEAKER**

(71) Applicant: **Dai Jinjin**, Zhejiang (CN)

(72) Inventor: **Dai Jinjin**, Zhejiang (CN)

(**) Term: **15 Years**

(21) Appl. No.: **29/536,539**

(22) Filed: **Aug. 18, 2015**

(51) **LOC (10) Cl.** **14-03**

(52) **U.S. Cl.**

USPC **D14/216**

(58) **Field of Classification Search**

USPC D14/167, 168, 170–172, 188, 194–196,
D14/204, 207, 209.1, 210–216, 219, 221,
D14/222, 224, 239, 496; 181/143, 144,
181/147, 148, 150, 153, 157, 198, 199;
381/300–303, 306, 332, 333, 336, 345,
381/361–364, 386–388; 369/6–12
CPC B60R 11/0217; G06F 1/1688; G10K 9/22;
G10K 11/004; H03F 1/327; H04M 1/03;
H04M 1/035; H04N 5/642; H04N
21/4852; H04R 1/02; H04R 1/06; H04R
1/021; H04R 1/025; H04R 1/026; H04R
1/028; H04R 1/105; H04R 1/323; H04R
1/403; H04R 1/2803; H04R 1/2834; H04R
5/02; H04R 7/20; H04R 9/06; H04R
9/025; H04R 2201/021; H04R 2400/00;
H04R 2201/07; H04R 2499/11; H04R
2499/13; H04R 2499/15; H04S
3/00; H04S 7/30

See application file for complete search history.

(56) **References Cited**

U.S. PATENT DOCUMENTS

D483,349 S * 12/2003 Murakami D14/215
D510,584 S * 10/2005 Tierney D14/203.6
D591,270 S * 4/2009 Jakobson D14/217
D625,288 S 10/2010 Ueda
D633,082 S * 2/2011 Ragde, Jr. D14/214
D642,159 S 7/2011 Joseph

D681,010 S 4/2013 Cho et al.
D693,329 S * 11/2013 Lee D14/210
D715,261 S 10/2014 Lee
D725,152 S * 3/2015 Wong D14/203.3
D730,942 S * 6/2015 Wong D14/203.1
D751,527 S * 3/2016 Hinokio D14/204

OTHER PUBLICATIONS

Bluetooth speaker by Morul. Found online [Mar. 4, 2016] <http://g02.a.alicdn.com/kf/HTB1XmeHlpXXXXXbaXXXq6xXFXXG/2-1-stereo-HiFi-Bluetooth-speaker-Bass-mini-portable-wireless-speakers-Sound-box-System-3D-stereo.jpg>.
Fluance wireless Bluetooth speaker by Fluance. Found online [Mar. 4, 2016] <http://www.tuvie.com/wp-content/uploads/fluance-fi50-bluetooth-speaker3.jpg>.
RK-912 Portable Wireless Bluetooth Speaker by Lenyes. Found online [Mar. 4, 2016] http://www.dhresource.com/0x0s/f2-albu-g1-M00-95-38-rBVaGFY7hv-ATRx_AAEOjuyIDFM083.jpg/2015-new-rk-912-portable-wireless-bluetooth.jpg.

* cited by examiner

Primary Examiner — Keli L Hill

(74) *Attorney, Agent, or Firm* — Raj Abhyanker, P.C.

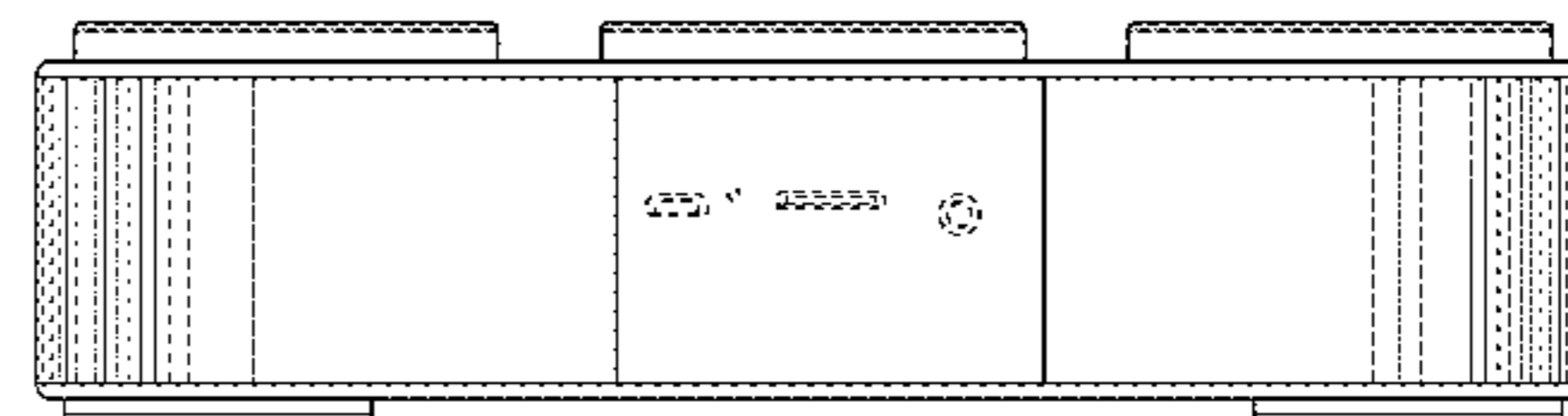
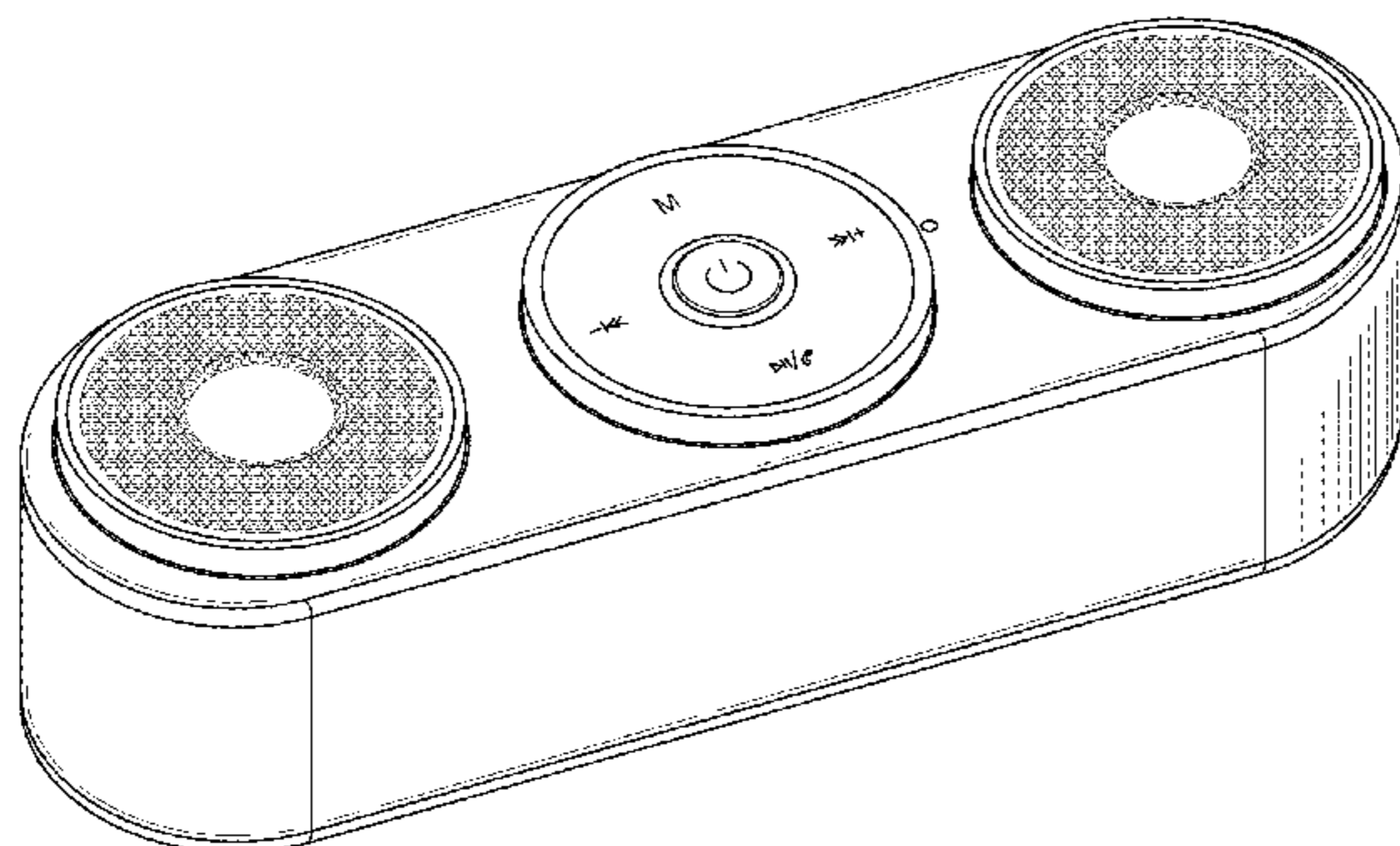
(57) **CLAIM**

The ornamental design for a wireless speaker, as shown and described.

DESCRIPTION

FIG. 1 is a perspective view of a wireless speaker showing my new design;
FIG. 2 is a left view thereof;
FIG. 3 is a right view thereof;
FIG. 4 is a front view thereof;
FIG. 5 is a rear view thereof;
FIG. 6 is a top view thereof; and,
FIG. 7 is a bottom view thereof.
The broken lines shown in the drawings represent unclaimed portions of the wireless speaker and form no part of the claimed design.

1 Claim, 4 Drawing Sheets



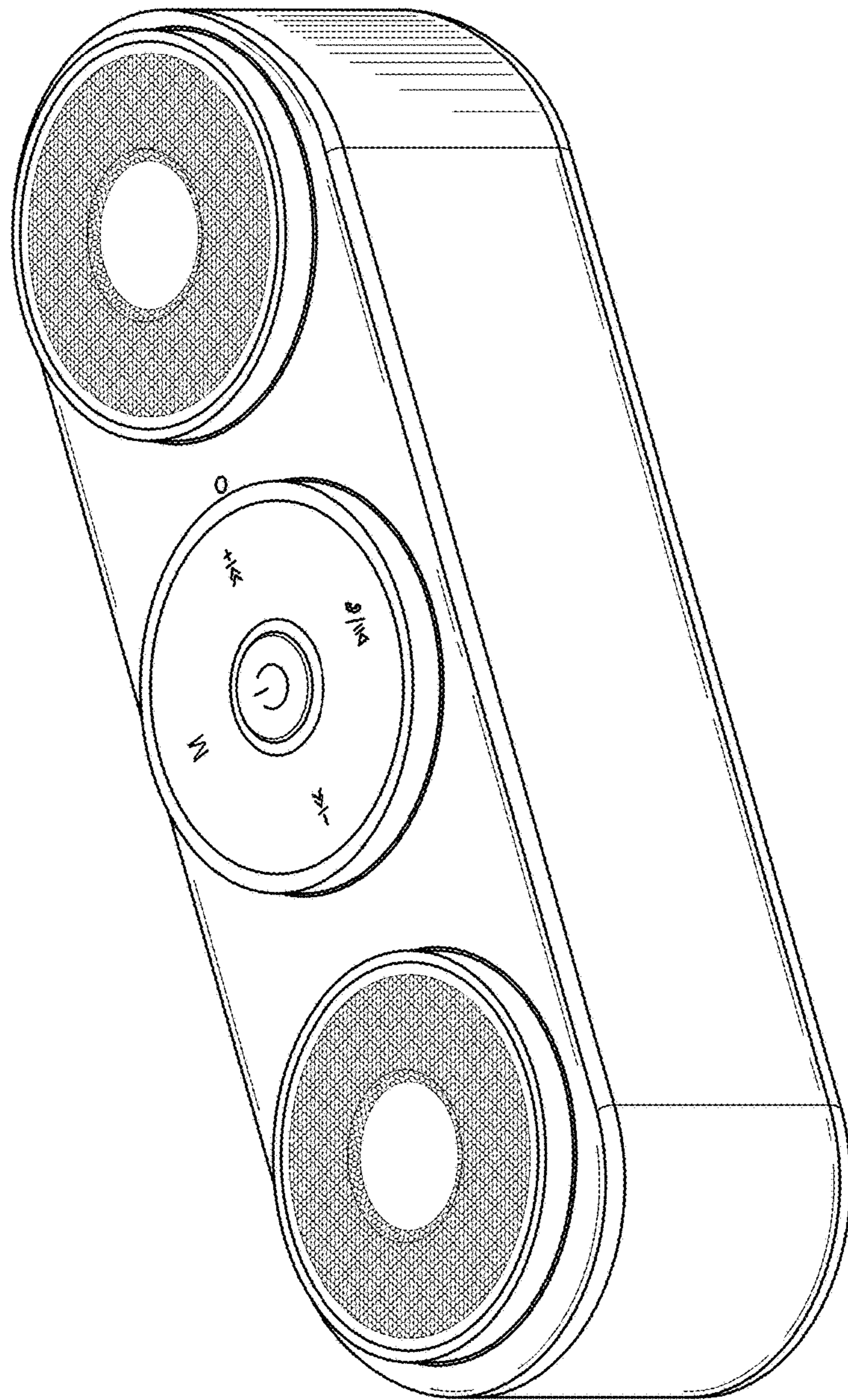


FIG. 1

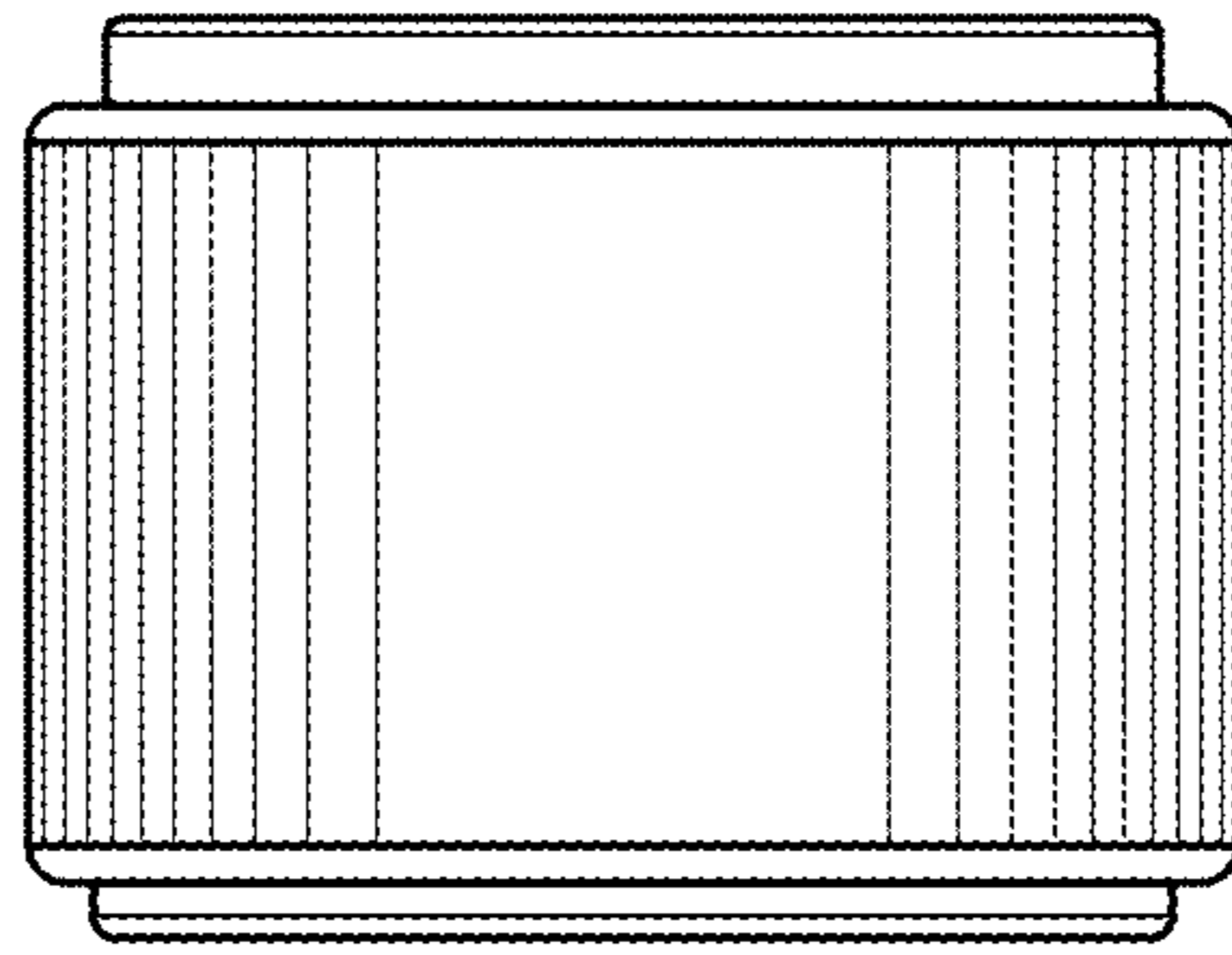


FIG. 2

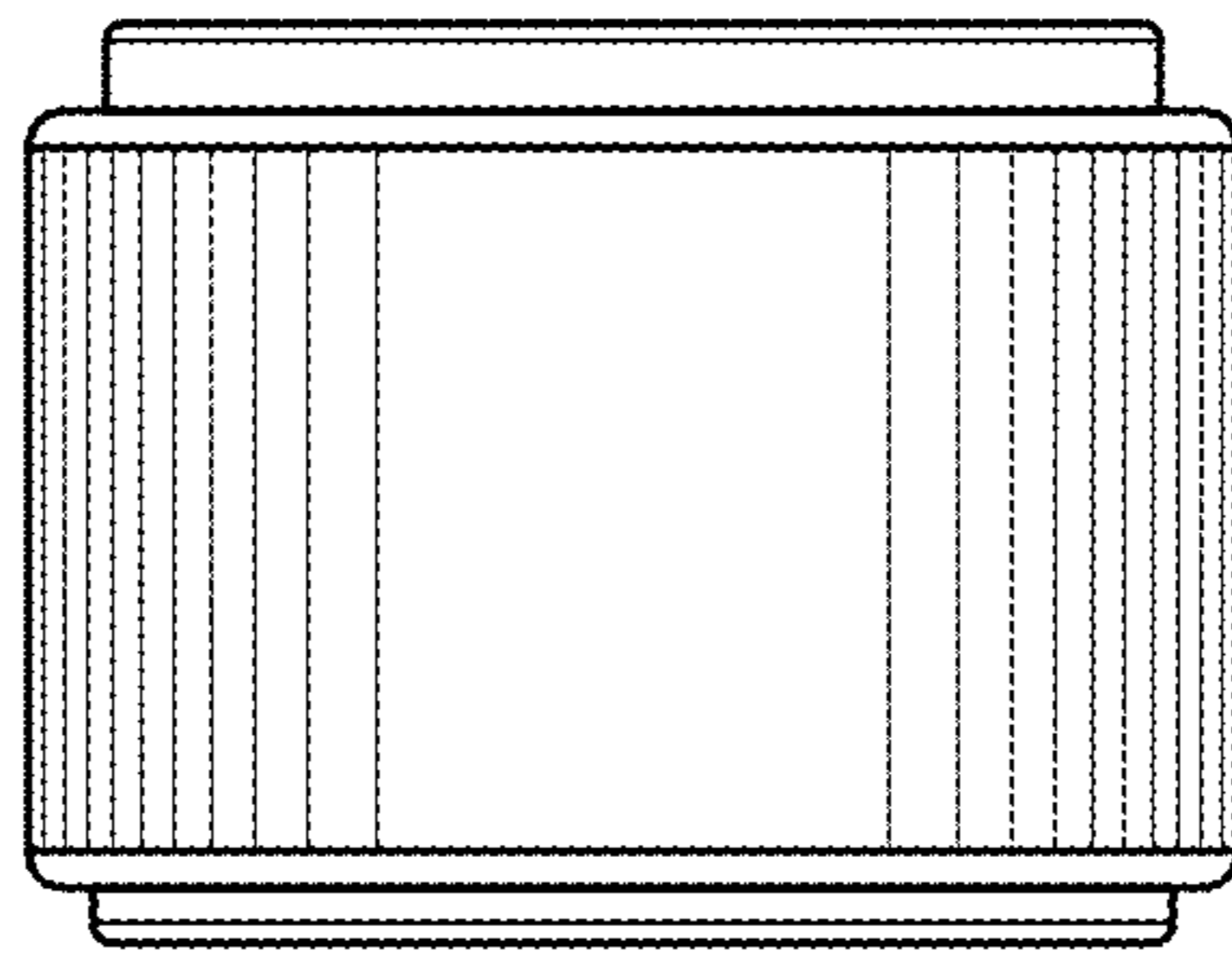


FIG. 3

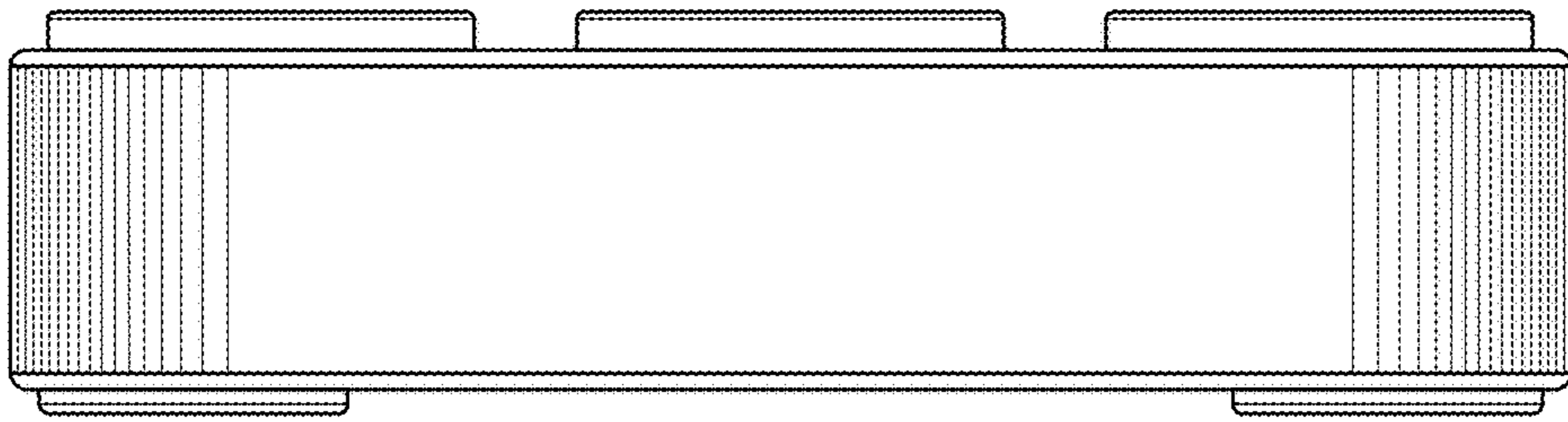


FIG. 4

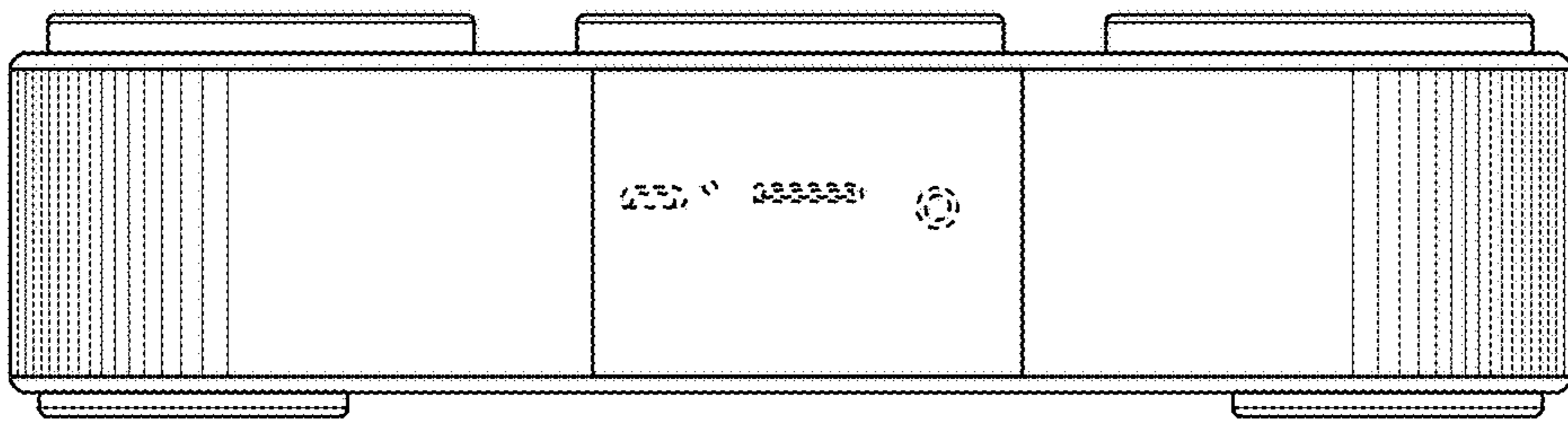


FIG. 5

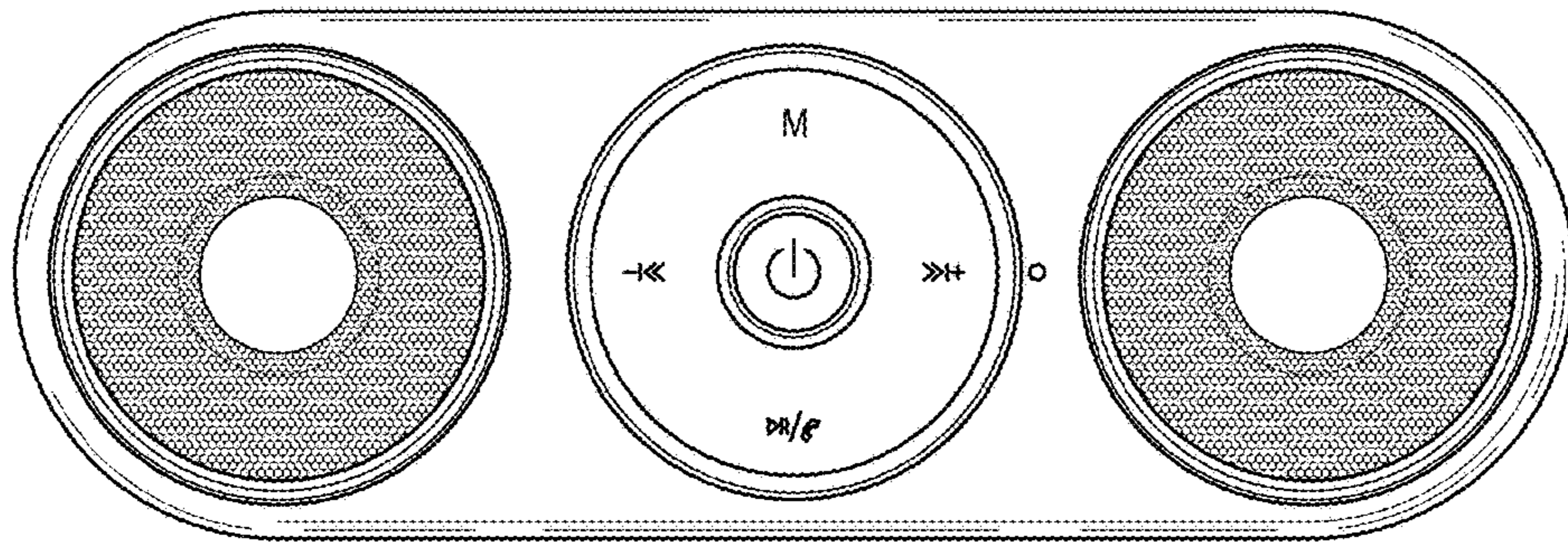


FIG. 6

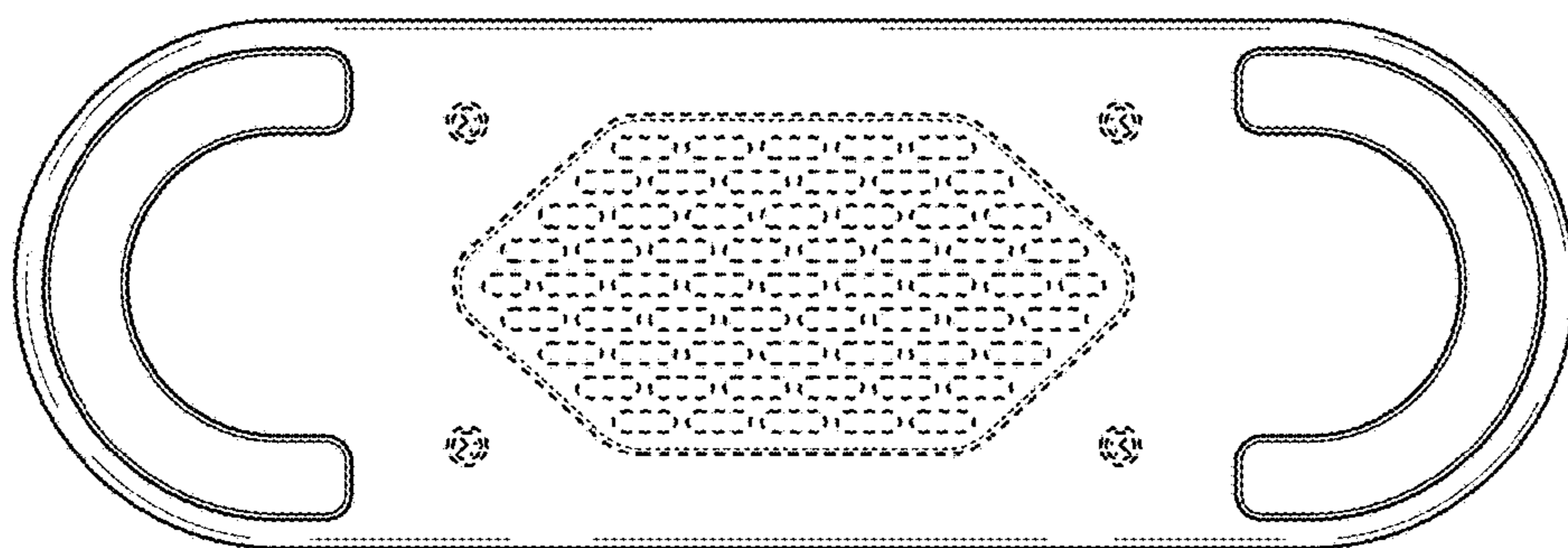


FIG. 7