



US00D774491S

(12) **United States Design Patent** (10) **Patent No.:** **US D774,491 S**
Kim et al. (45) **Date of Patent:** **** Dec. 20, 2016**

(54) **SPEAKER**

9/025;H04R 2201/021; H04R
2400/00; H04R 2400/07; H04R 2499/11;
H04R 2499/13; H04R 2499/15; H04S
3/00; H04S 7/30

(71) Applicant: **LG ELECTRONICS INC.**, Seoul
(KR)

See application file for complete search history.

(72) Inventors: **Yongsoo Kim**, Seoul (KR); **Hyungyuel Kim**, Seoul (KR); **Gangho Woo**, Seoul (KR)

(56) **References Cited**

U.S. PATENT DOCUMENTS

(73) Assignee: **LG ELECTRONICS INC.**, Seoul
(KR)

D544,948 S *	6/2007	Spiegel	D23/364
D690,679 S *	10/2013	Chang	D14/204
D703,191 S *	4/2014	Woo	D14/204
D742,365 S *	11/2015	Kim	D14/239
D743,373 S *	11/2015	Kim	D14/210
D754,629 S *	4/2016	Kim	D14/204

(**) Term: **15 Years**

* cited by examiner

(21) Appl. No.: **29/548,116**

Primary Examiner — Keli L Hill

(22) Filed: **Dec. 10, 2015**

(74) *Attorney, Agent, or Firm* — Birch, Stewart, Kolasch & Birch, LLP

(30) **Foreign Application Priority Data**

Jun. 10, 2015 (KR) 30-2015-0029170

(51) **LOC (10) Cl.** **14-05**

(57) **CLAIM**

(52) **U.S. Cl.**
USPC **D14/214**

The ornamental design for a speaker, as shown and described.

(58) **Field of Classification Search**

DESCRIPTION

USPC D14/167, 168, 170–172, 188, 194–196,
D14/204, 207, 209.1, 210–216, 219, 221,
D14/222, 224, 239, 496; 181/143, 144,
181/147, 148, 150, 153, 157, 198, 199;
381/300–303, 306, 332, 333, 336, 345,
381/361–364, 386–388; 369/6–12
CPC B60R 11/0217; G06F 1/1688; G10K 9/22;
G10K 11/004; H03F 1/327; H04M 1/03;
H04M 1/035; H04N 5/642; H04N
21/4852; H04R 1/02; H04R 1/06; H04R
1/021; H04R 1/025; H04R 1/026; H04R
1/028; H04R 1/105; H04R 1/323; H04R
1/403; H04R 1/2803; H04R 1/2834; H04R
5/02; H04R 7/20; H04R 9/06; H04R

FIG. 1 is a front, right side, perspective view of a speaker showing our new design;
FIG. 2 is a front view thereof;
FIG. 3 is a rear view thereof;
FIG. 4 is a left side view thereof;
FIG. 5 is a right side view thereof;
FIG. 6 is a top view thereof; and,
FIG. 7 is a bottom view thereof.
The broken lines depict portions of the speaker that form no part of the claimed design.

1 Claim, 2 Drawing Sheets

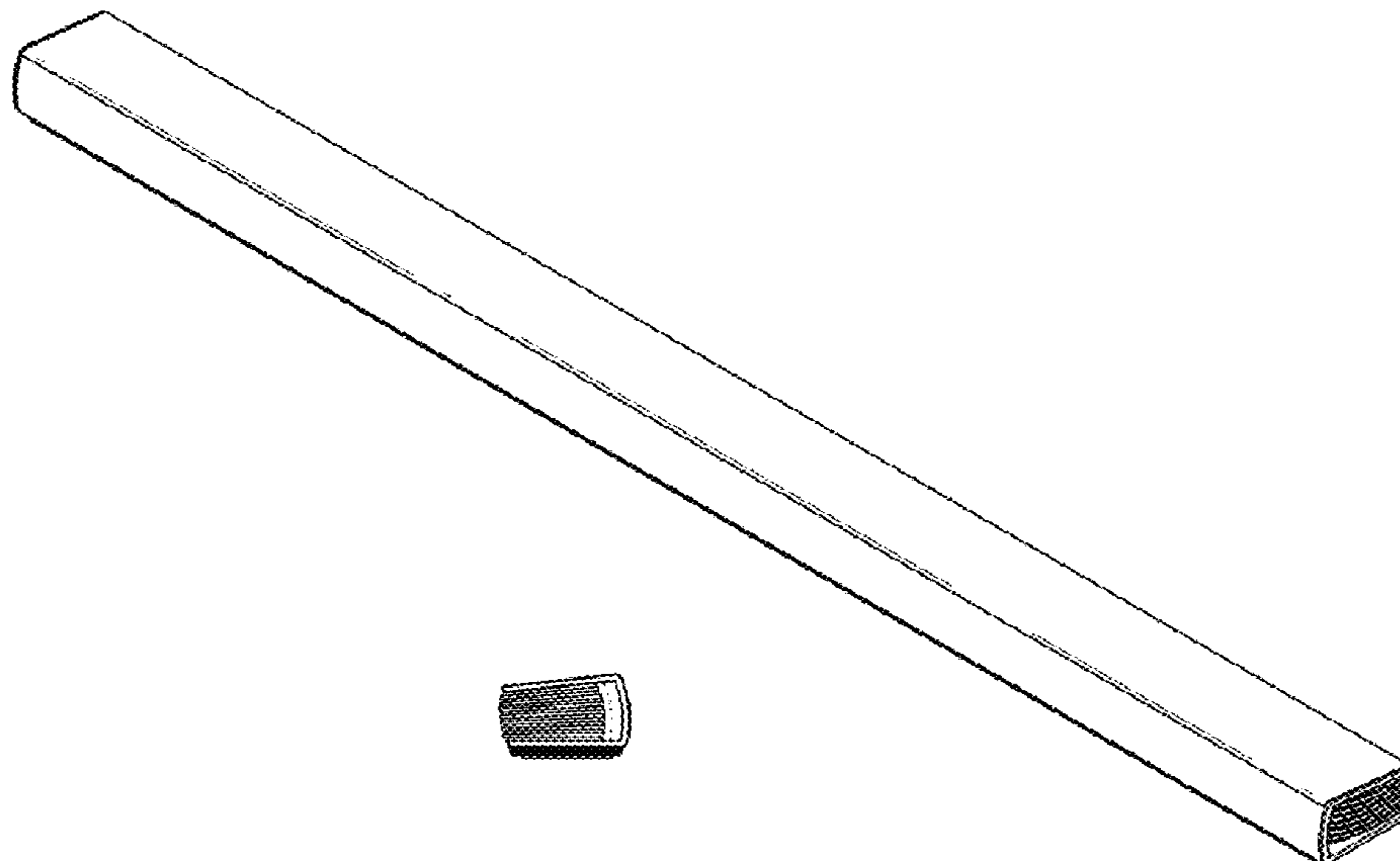


FIG. 1

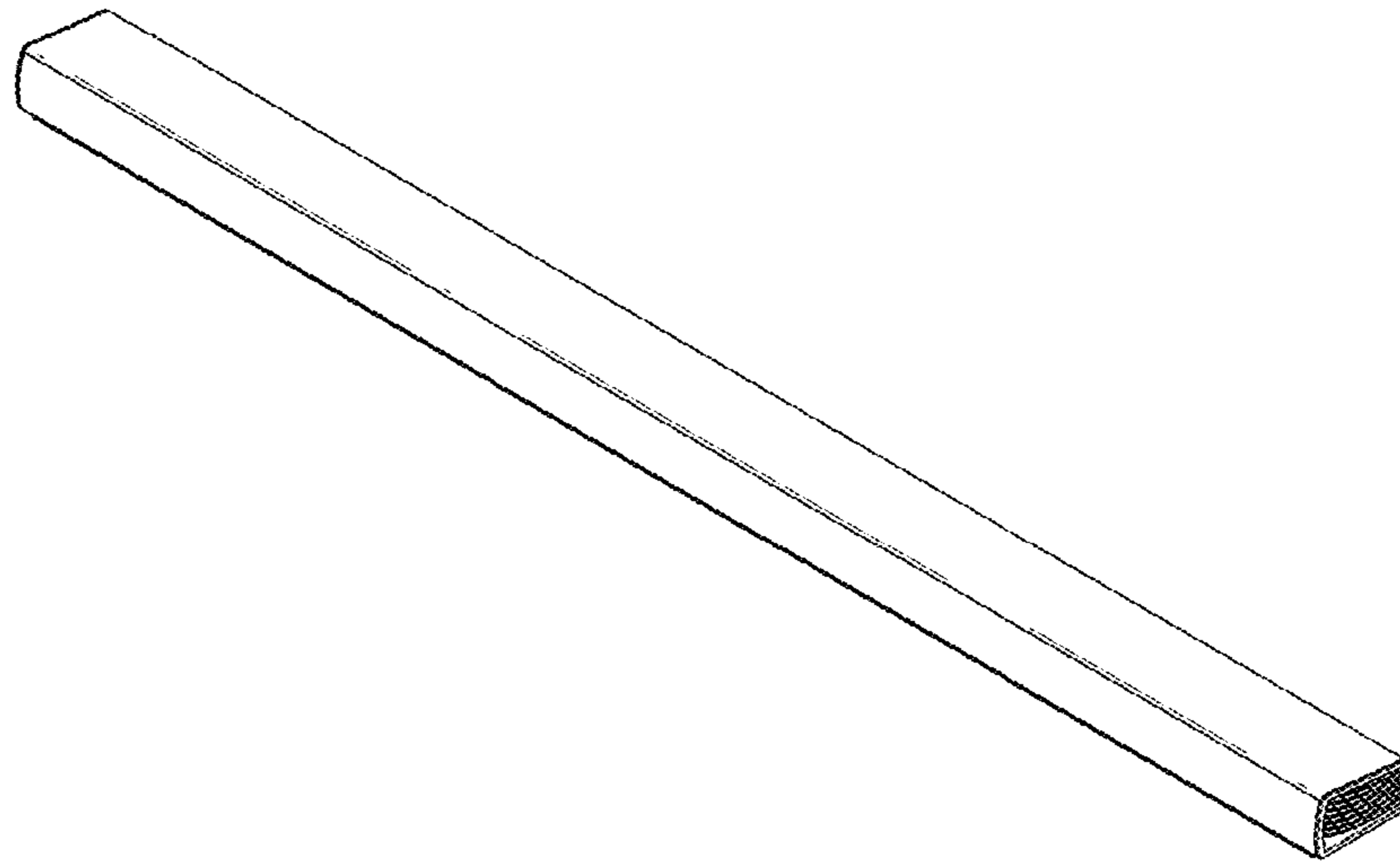


FIG. 2



FIG. 3

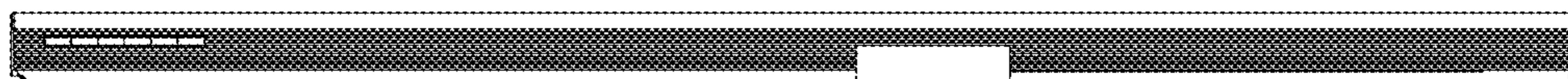


FIG. 4



FIG. 5

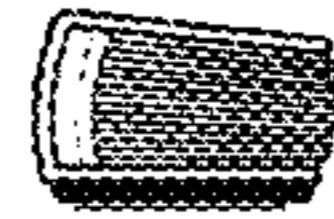


FIG. 6



FIG. 7

