



US00D774490S

(12) **United States Design Patent**
Lin

(10) **Patent No.:** **US D774,490 S**

(45) **Date of Patent:** **** Dec. 20, 2016**

(54) **ZIPPER FORM EARPHONE**

(71) Applicant: **Po-Hsun Lin**, Taoyuan Hsien (TW)

(72) Inventor: **Po-Hsun Lin**, Taoyuan Hsien (TW)

(**) Term: **15 Years**

(21) Appl. No.: **29/540,167**

(22) Filed: **Sep. 21, 2015**

(51) **LOC (10) Cl.** **14-01**

(52) **U.S. Cl.**
USPC **D14/205**

(58) **Field of Classification Search**
USPC D14/205, 223; 181/129, 130, 135; 379/430,
379/431; 381/380, 381, 384, 370, 375;
455/90.3, 575.1
CPC H04R 1/1033; H04R 25/00; H04R 1/10;
H04R 5/0335; H04R 5/033; H04R 1/105;
H04R 1/1008

See application file for complete search history.

(56) **References Cited**

U.S. PATENT DOCUMENTS

- 3,089,915 A * 5/1963 Plummer H01B 9/024
101/415.1
- 4,646,872 A * 3/1987 Kamon H04R 1/225
181/129
- 5,410,608 A * 4/1995 Lucey H04R 1/083
381/360
- D550,657 S * 9/2007 Gan D14/223
- D558,735 S * 1/2008 Carr D14/206
- D569,841 S * 5/2008 Chung D14/205
- D578,507 S * 10/2008 Ando D14/205
- D582,389 S * 12/2008 Bose D14/205
- D582,889 S * 12/2008 Bose D14/205
- D584,284 S * 1/2009 Carr D14/206
- D591,264 S * 4/2009 Hong D14/205
- D599,778 S * 9/2009 Ando D14/205
- D599,779 S * 9/2009 Ando D14/205

- D605,628 S * 12/2009 Ando D14/205
- D614,168 S * 4/2010 Rogers D14/206
- D626,117 S * 10/2010 Lowry D14/223
- D635,558 S * 4/2011 Zheng D14/206
- D636,756 S * 4/2011 Fahrendorff D14/205
- D637,998 S * 5/2011 Brunner D14/205
- D641,008 S * 7/2011 Lee D14/223
- D641,737 S * 7/2011 Krauss D14/205
- D648,316 S * 11/2011 Lee D14/205
- D648,317 S * 11/2011 Katsuraku D14/205
- 8,073,181 B2 * 12/2011 Bakalos H04R 3/04
381/103
- D652,817 S * 1/2012 Lee D14/205
- D658,157 S * 4/2012 McManigal D14/205
- D659,117 S * 5/2012 Krauss D14/205
- 8,269,110 B2 * 9/2012 Scifo H02G 3/0475
174/135
- D673,531 S * 1/2013 Lee D14/223
- D674,373 S * 1/2013 Combs D14/205
- 8,345,913 B2 * 1/2013 Pang H04R 1/1033
381/384

(Continued)

Primary Examiner — Paula Greene

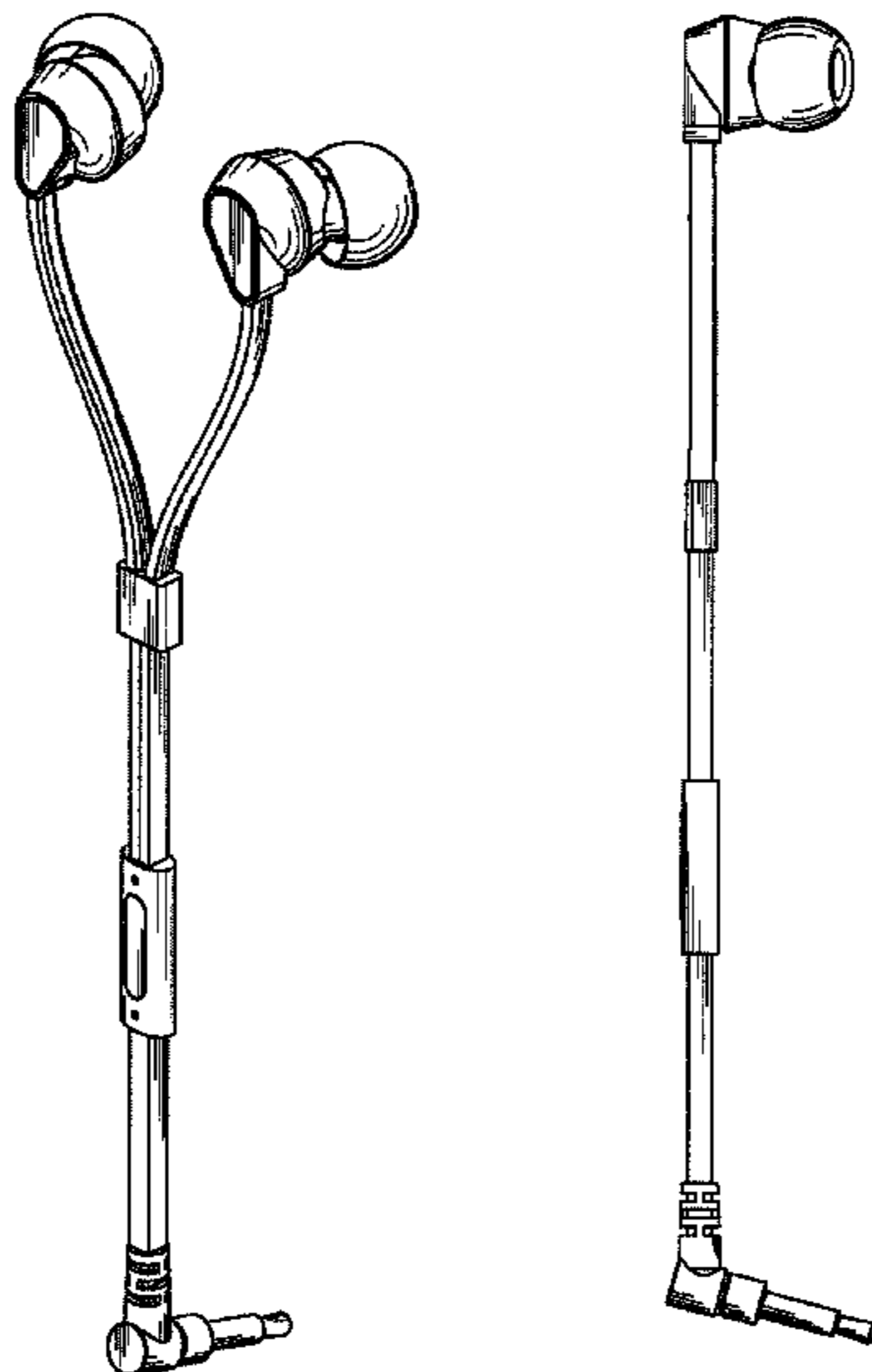
(57) **CLAIM**

The ornamental design for a zipper form earphone, as shown and described.

DESCRIPTION

FIG. 1 is a perspective view of a zipper form earphone showing my new design.
 FIG. 2 is a front elevational view thereof.
 FIG. 3 is a rear elevational view thereof.
 FIG. 4 is a left side view thereof;
 FIG. 5 is a right side view thereof.
 FIG. 6 is a top plan view thereof.
 FIG. 7 is a bottom plan view thereof; and,
 FIG. 8 is another perspective view of the present invention, which is viewed from an upper back side of that shown in FIG. 1.

1 Claim, 5 Drawing Sheets



(56)

References Cited

U.S. PATENT DOCUMENTS

8,363,873 B2 *	1/2013	Liu	B82Y 30/00	8,908,899 B1 *	12/2014	Yang	H04R 1/1033
				174/113 R					381/370
D678,242 S *	3/2013	Von Euler	D14/205	D726,165 S *	4/2015	Kawaji	D14/223
8,442,257 B2 *	5/2013	Aase	H04R 1/1033	D727,279 S *	4/2015	Schaal	D14/205
				381/370	D727,871 S *	4/2015	Orbach	D14/205
8,447,062 B2 *	5/2013	Lin	H04R 1/1033	9,031,264 B2 *	5/2015	Yang	H04R 1/1033
				381/370					381/189
D684,950 S *	6/2013	Schaal	D14/205	D739,377 S *	9/2015	Yeom	D14/205
D684,953 S *	6/2013	Schaal	D14/205	D746,436 S *	12/2015	Guney	D24/110.1
D685,764 S *	7/2013	Coulter	D14/205	D760,189 S *	6/2016	Loh Jun Kern	D14/205
D686,191 S *	7/2013	Schaal	D14/205	D761,760 S *	7/2016	Poulsen	D14/205
D687,410 S *	8/2013	Fletcher	D14/205	2010/0104126 A1 *	4/2010	Greene	H01B 7/225
D695,265 S *	12/2013	Schaal	D14/205					381/384
D695,266 S *	12/2013	Schaal	D14/205	2011/0044487 A1 *	2/2011	Nault	H04R 1/1033
D695,267 S *	12/2013	Schaal	D14/205					381/380
D699,703 S *	2/2014	Schaal	D14/205	2011/0162883 A1 *	7/2011	Groset	B29C 45/0055
8,655,006 B2 *	2/2014	Aase	B29C 43/203					174/70 R
				381/370	2012/0045084 A1 *	2/2012	Groset	B29C 45/0055
D711,356 S *	8/2014	Yang	D14/223					381/384
D715,254 S *	10/2014	Lee	D14/205	2014/0138150 A1 *	5/2014	Huang	H04R 1/1033
D715,777 S *	10/2014	Huang	D14/223					174/71 R
D719,551 S *	12/2014	Yang	D14/223	2016/0142808 A1 *	5/2016	Monahan	H04R 1/1033
									381/384

* cited by examiner

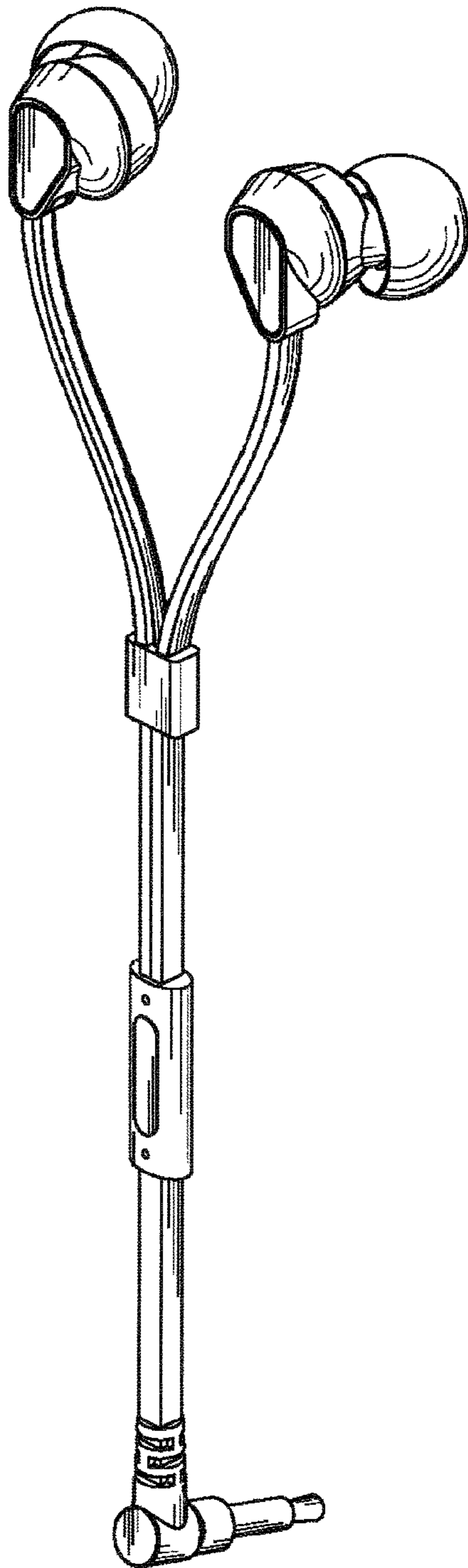


Fig. 1

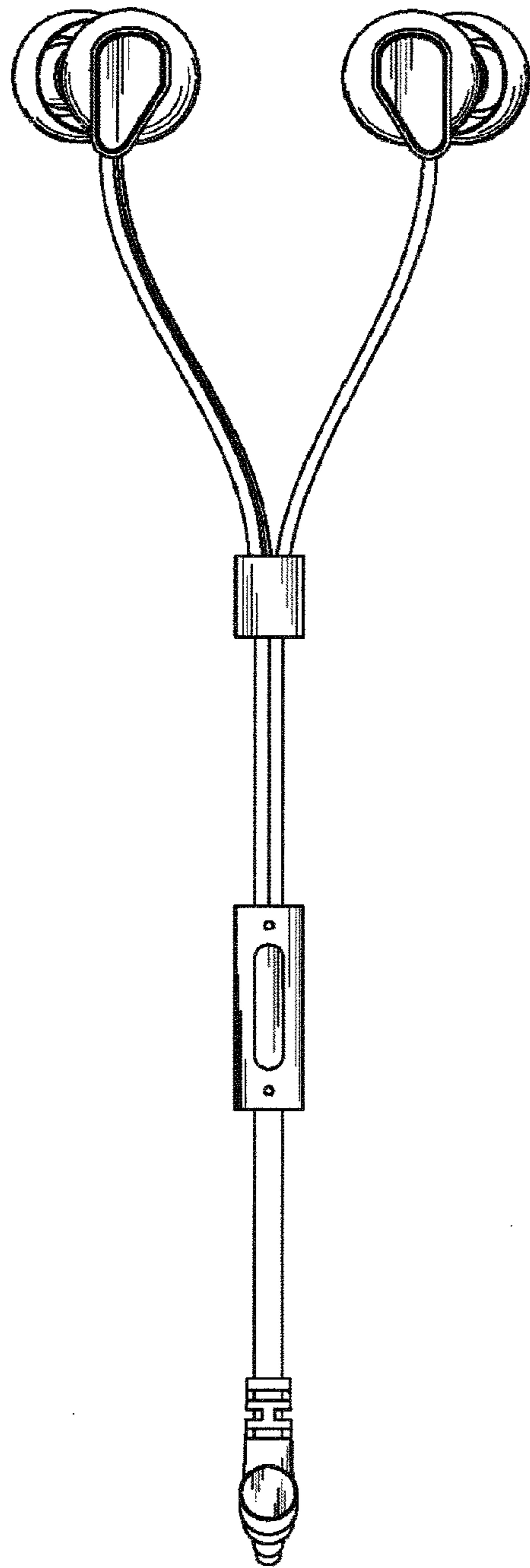


Fig. 2

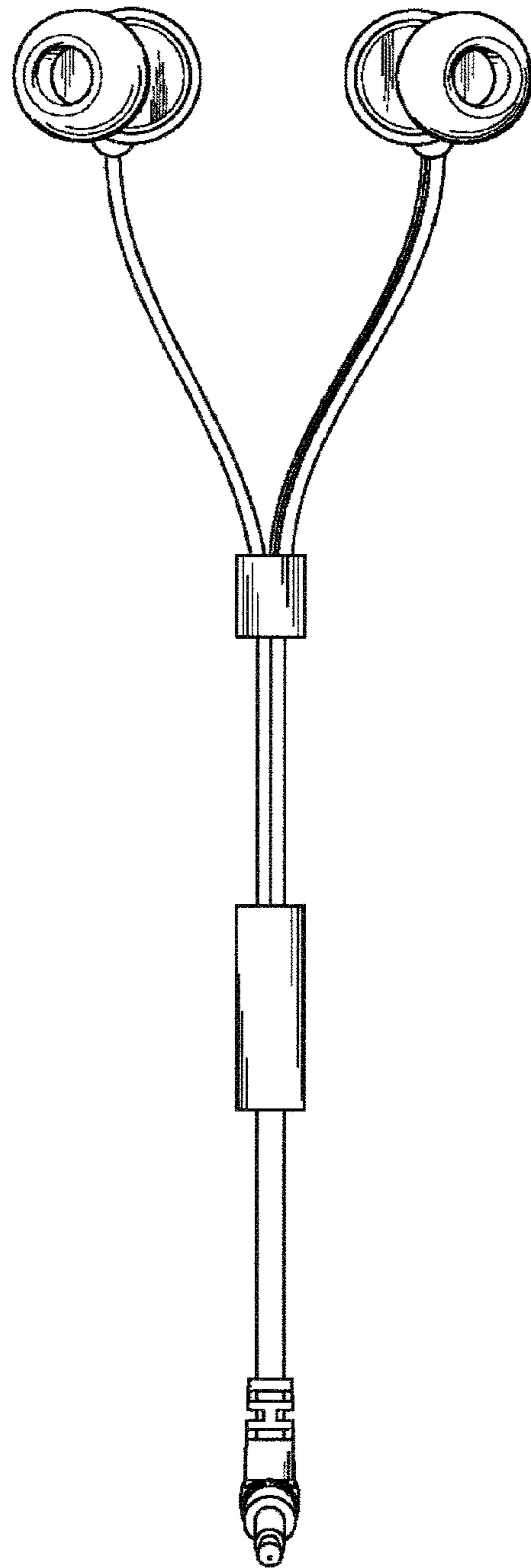


Fig. 3

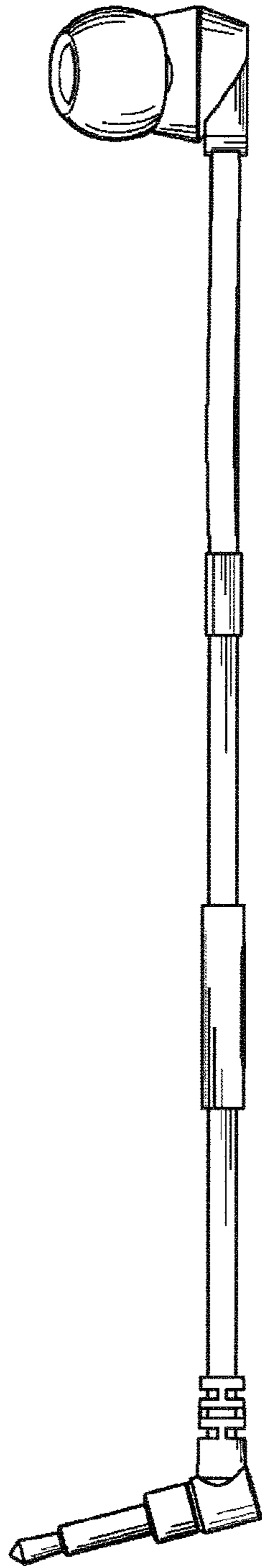


Fig. 4

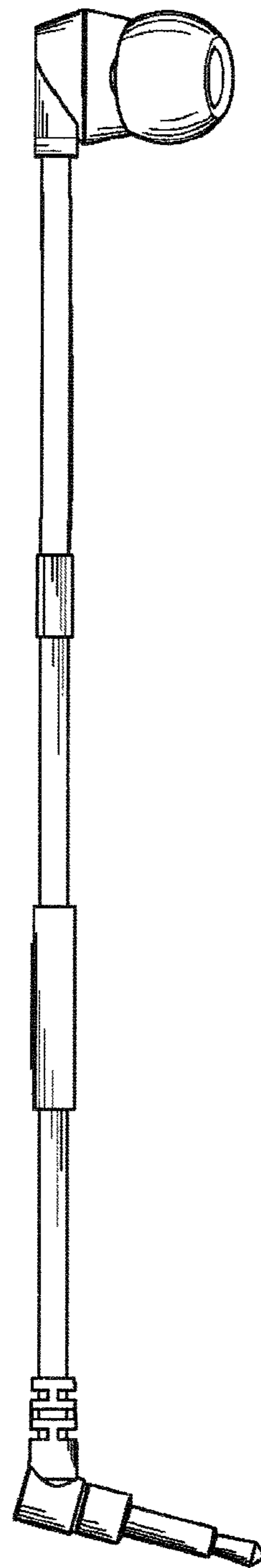


Fig. 5

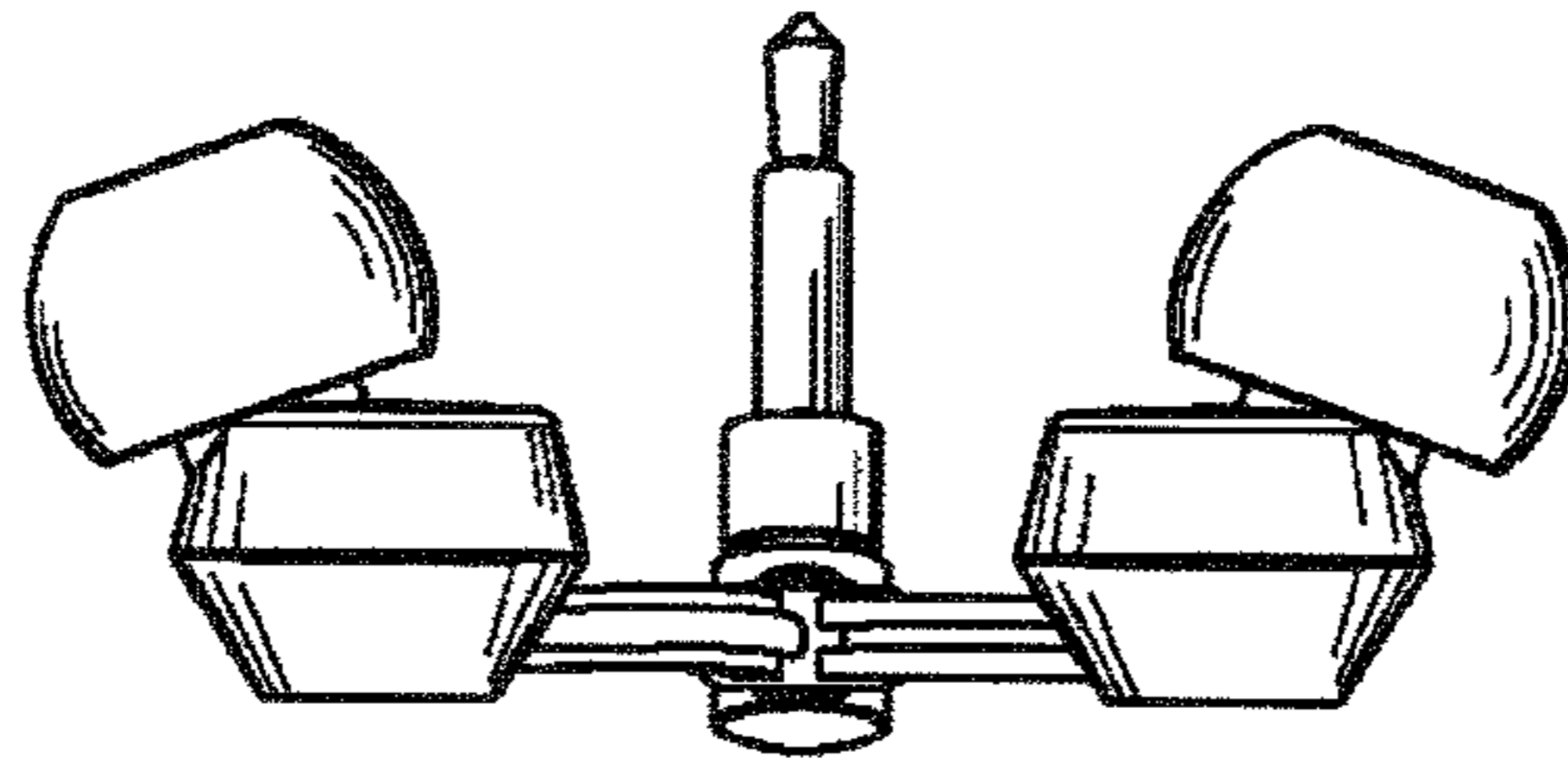


Fig. 6

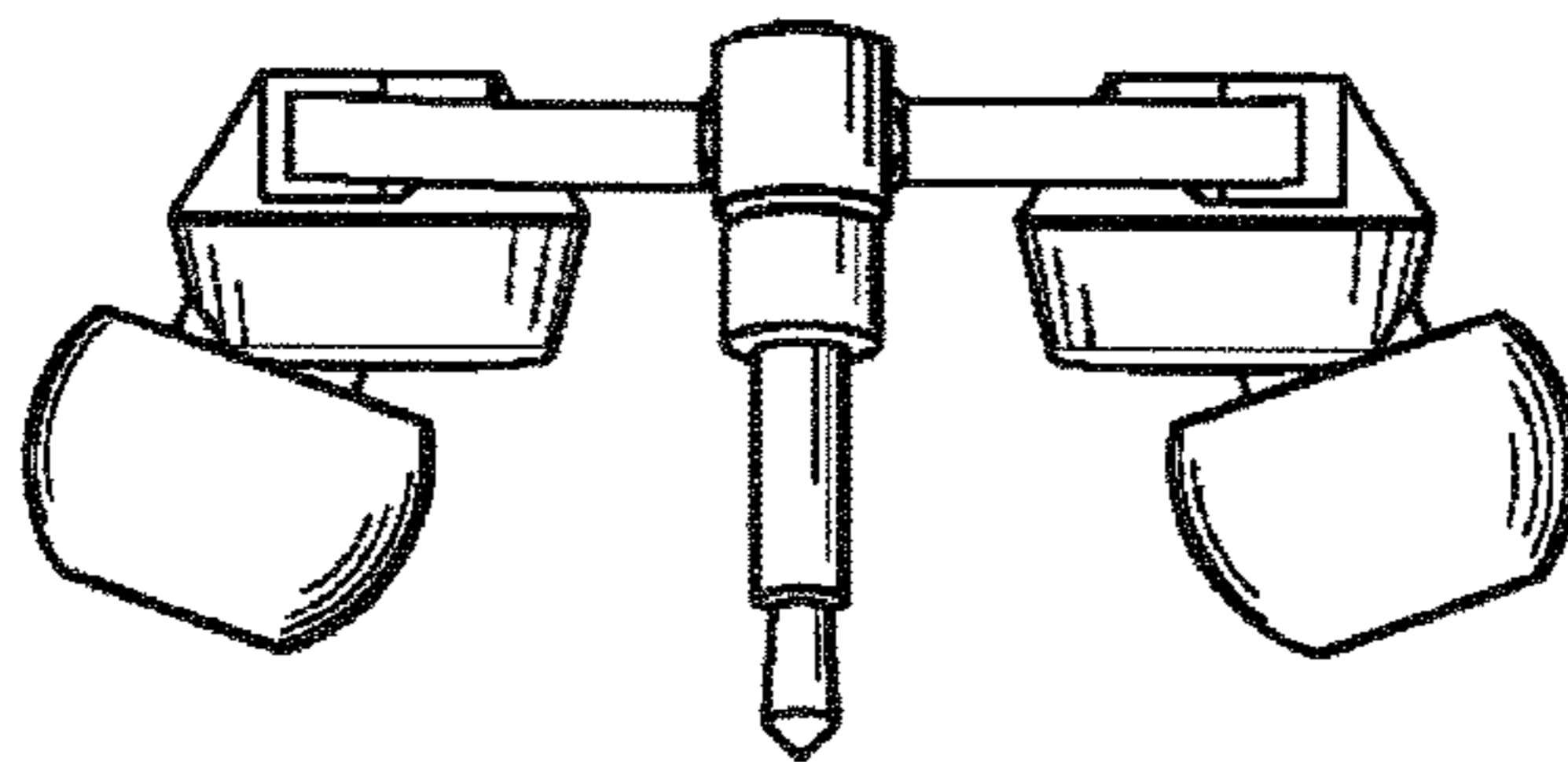


Fig. 7

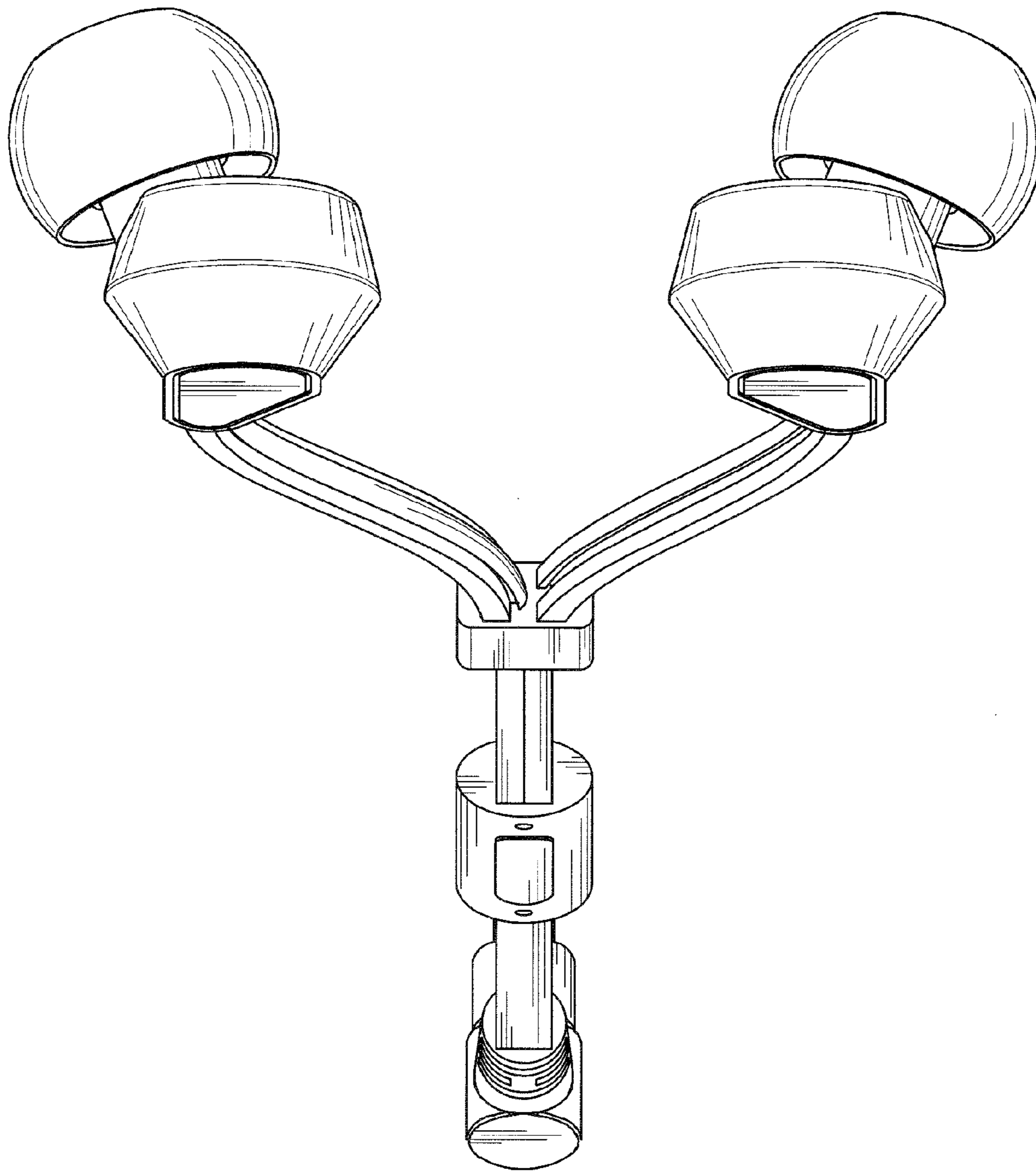


Fig. 8