



US00D774489S

(12) **United States Design Patent**
Loh Jun Kern et al.

(10) **Patent No.:** **US D774,489 S**

(45) **Date of Patent:** **** Dec. 20, 2016**

(54) **PAIR OF EARPHONES**

(71) Applicant: **Sennheiser electronic GmbH & Co. KG, Wedemark (DE)**

(72) Inventors: **Rodney Loh Jun Kern, Singapore (SG); Chang Tat Lee, Singapore (SG); Alden Koh, Singapore (SG); Thomas Pierre Rene Tellier, Singapore (SG)**

(73) Assignee: **Sennheiser electronic GmbH & Co. KG, Wedemark (DE)**

(**) Term: **14 Years**

(21) Appl. No.: **29/519,004**

(22) Filed: **Mar. 2, 2015**

(30) **Foreign Application Priority Data**

Sep. 3, 2014 (EM) 002530527-0001
Sep. 3, 2014 (EM) 002530527-0004
Sep. 3, 2014 (EM) 002530527-0008
Sep. 3, 2014 (EM) 002530527-0013

(51) **LOC (10) Cl.** **14-01**

(52) **U.S. Cl.**
USPC **D14/205**

(58) **Field of Classification Search**
USPC D14/223, 205; 181/129, 130, 135; 379/430, 379/431; 381/380, 381; 455/90.1, 455/575.1
CPC H04R 1/10
See application file for complete search history.

(56) **References Cited**

U.S. PATENT DOCUMENTS

1,406,510 A * 2/1922 Weber H04R 1/1016
381/328
3,440,365 A * 4/1969 Hazell H04M 1/05
379/430

4,720,857 A * 1/1988 Burris H04M 1/05
379/430
D316,550 S * 4/1991 Sogabe D14/168
D340,932 S * 11/1993 Yan D14/249
5,410,608 A * 4/1995 Lucey H04R 1/083
381/360
D357,921 S * 5/1995 Ming-Chin D14/223
D382,874 S * 8/1997 Peschke D14/142
D431,553 S * 10/2000 Suzuki D14/223

(Continued)

Primary Examiner — Paula Greene

(74) *Attorney, Agent, or Firm* — Frommer Lawrence & Haug LLP

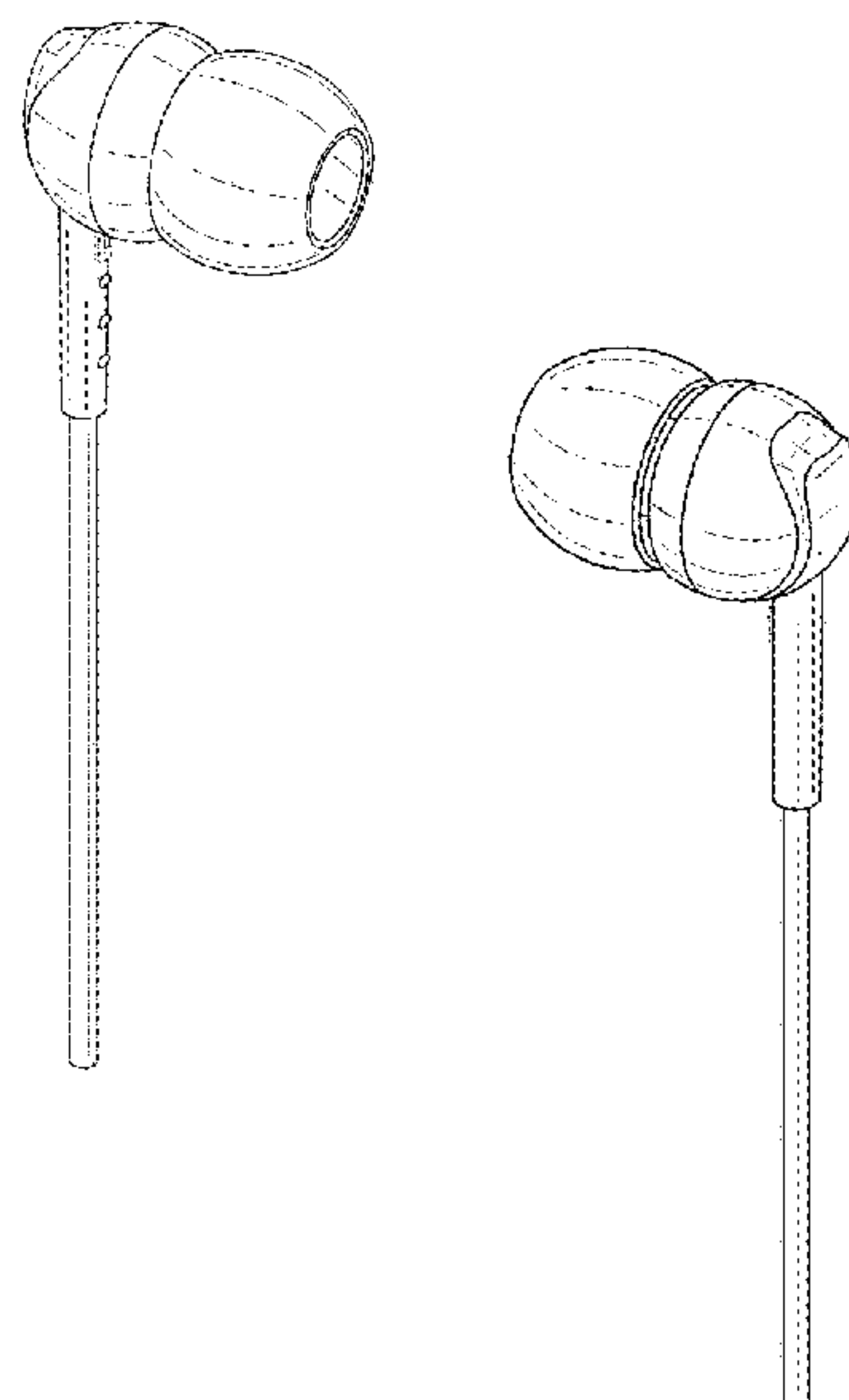
(57) **CLAIM**

The ornamental design for pair of earphones, as shown and described.

DESCRIPTION

FIG. 1 is an isometric view of the pair of earphones in accordance with a first embodiment of the invention.
FIG. 2 is a left side view of the pair of earphones in accordance with a first embodiment of the invention.
FIG. 3 is a rear side view of the pair of earphones in accordance with a first embodiment of the invention.
FIG. 4 is a right side view of the pair of earphones in accordance with a first embodiment of the invention.
FIG. 5 is a front side view of the pair of earphones in accordance with a first embodiment of the invention.
FIG. 6 is a top view of the pair of earphones in accordance with a first embodiment of the invention; and,
FIG. 7 is a bottom view of the pair of earphones in accordance with a first embodiment of the invention.

1 Claim, 7 Drawing Sheets



(56)

References Cited

U.S. PATENT DOCUMENTS

D485,548 S * 1/2004 Obata D14/223
 D550,657 S * 9/2007 Gan D14/223
 D554,109 S * 10/2007 Ledbetter D14/223
 D555,152 S * 11/2007 Wang D14/223
 D566,099 S * 4/2008 Komiyama D14/206
 D567,217 S * 4/2008 Kamo D14/205
 D569,841 S * 5/2008 Chung D14/205
 D572,242 S * 7/2008 Yang D14/205
 D591,264 S * 4/2009 Hong D14/205
 D591,721 S * 5/2009 Densho D14/205
 7,551,748 B2 * 6/2009 Kamo H04R 1/1016
 381/328
 D598,894 S * 8/2009 Masuda D14/205
 D599,778 S * 9/2009 Ando D14/205
 D605,628 S * 12/2009 Ando D14/205
 D614,168 S * 4/2010 Rogers D14/206
 D619,122 S * 7/2010 Nomura D14/223

D621,389 S * 8/2010 Nagayama D14/223
 D626,117 S * 10/2010 Lowry D14/223
 D627,764 S * 11/2010 Tsai D14/223
 D637,181 S * 5/2011 Fuller D14/223
 D642,163 S * 7/2011 Lee D14/223
 D643,417 S * 8/2011 Lee D14/223
 D657,780 S * 4/2012 Dahlberg D14/223
 D664,951 S * 8/2012 Ang D14/223
 D673,531 S * 1/2013 Lee D14/223
 D697,050 S * 1/2014 Thompson D14/206
 D700,905 S * 3/2014 Pavitsich D14/223
 D702,668 S * 4/2014 Narita D14/223
 D710,334 S * 8/2014 Yang D14/223
 D711,356 S * 8/2014 Yang D14/223
 D711,858 S * 8/2014 Yang D14/223
 D718,286 S * 11/2014 Yang D14/223
 D729,775 S * 5/2015 Seo D14/205
 2007/0098201 A1 * 5/2007 Chen H04R 1/1016
 381/380

* cited by examiner

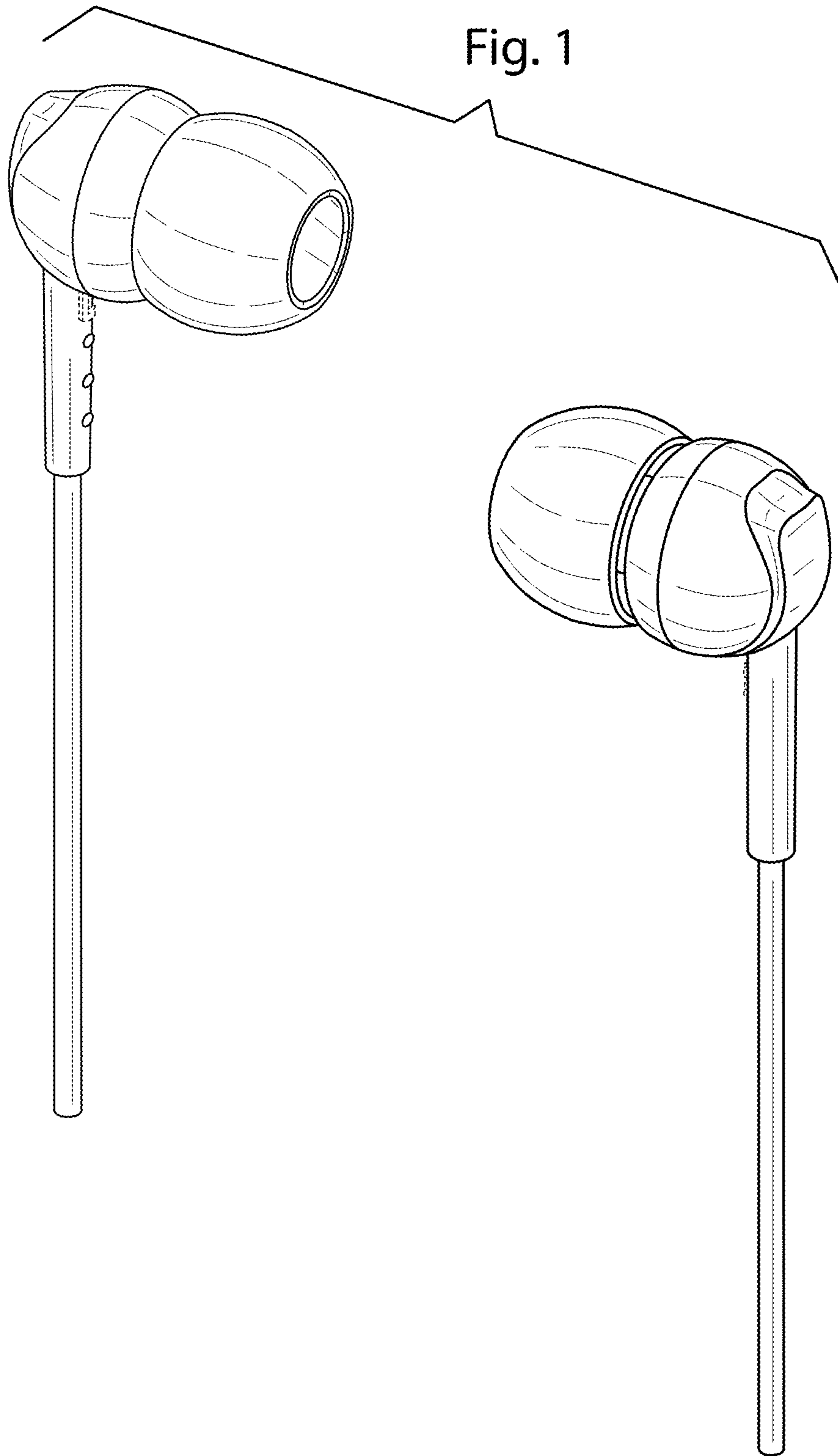


Fig. 2

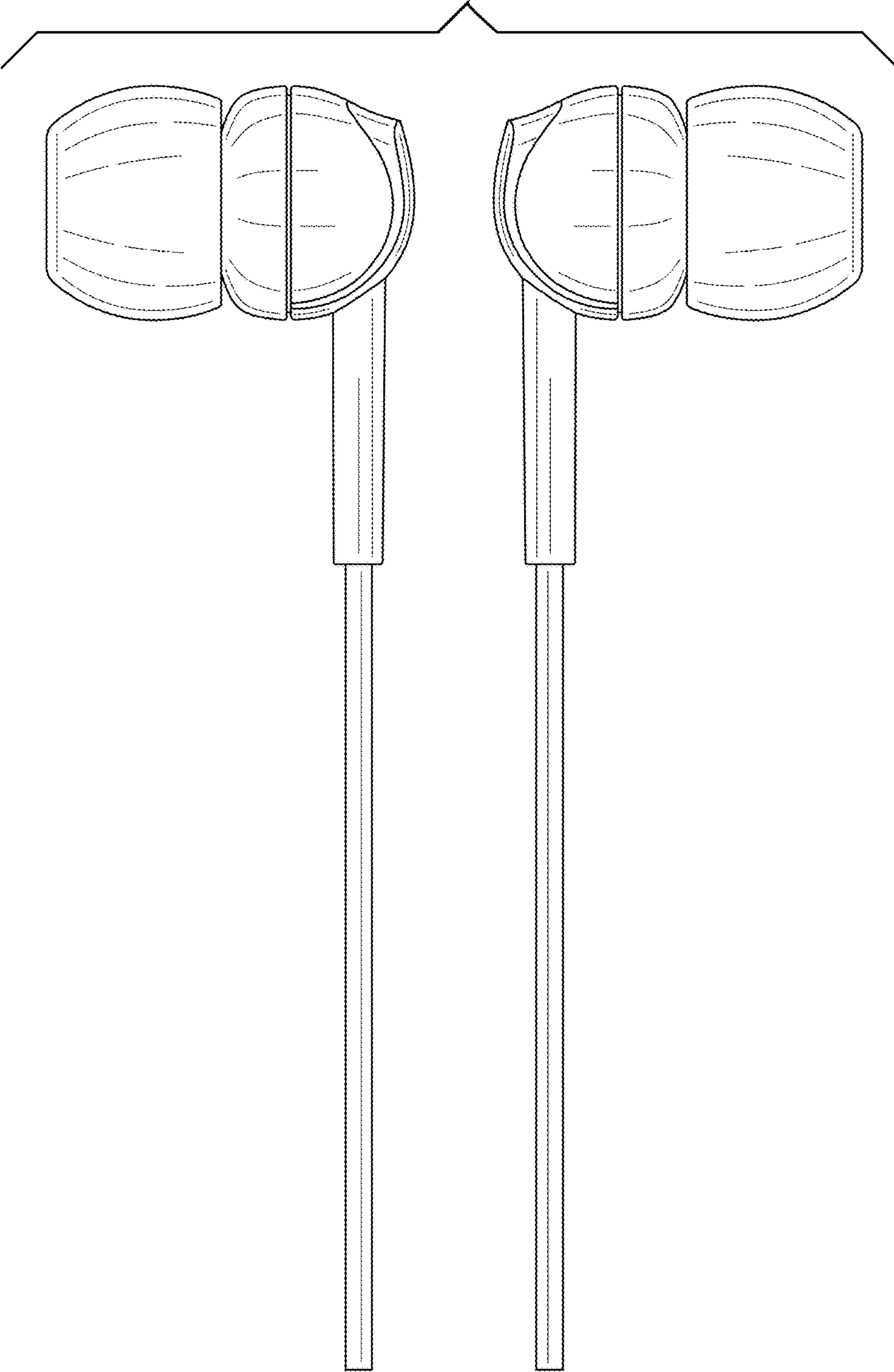


Fig. 3

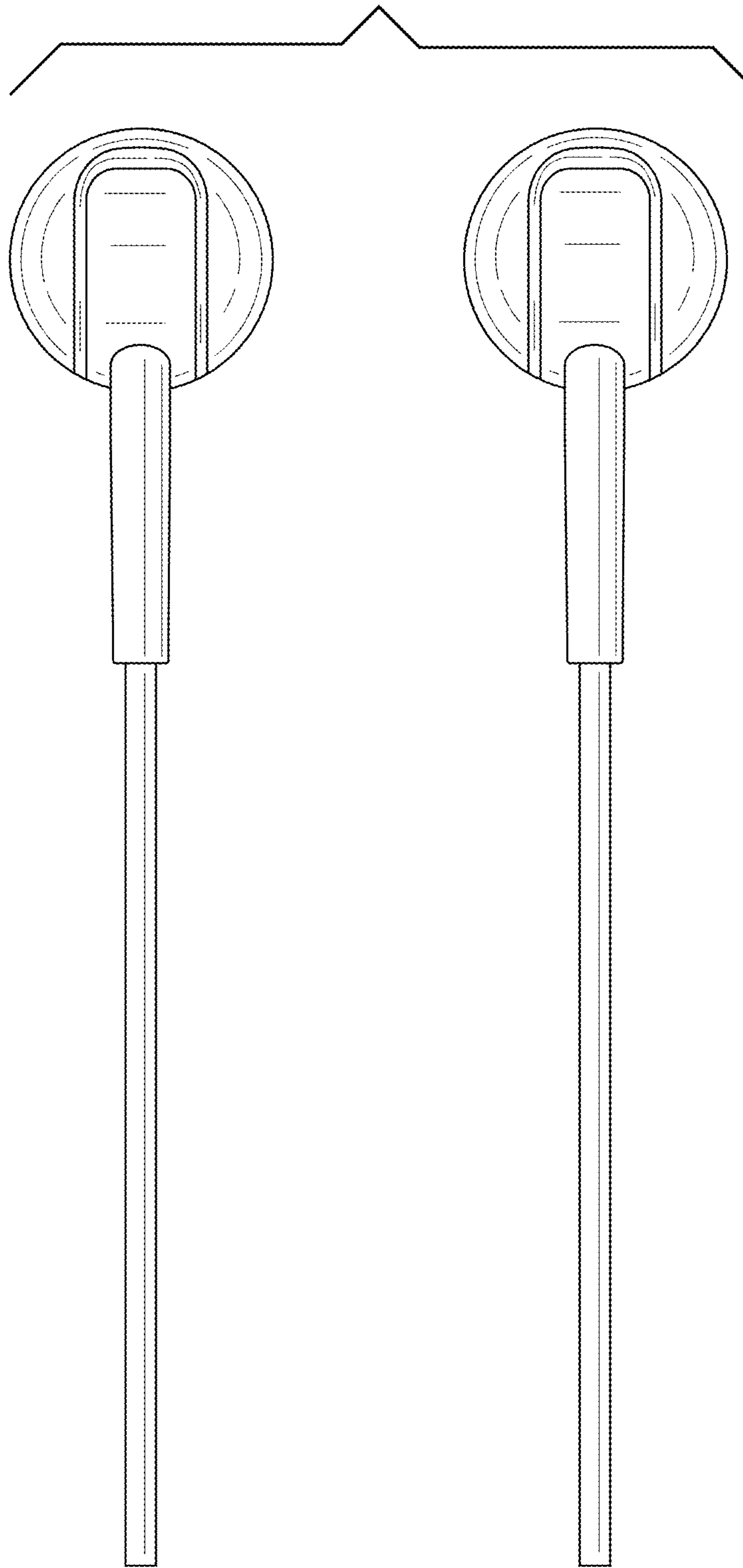


Fig. 4

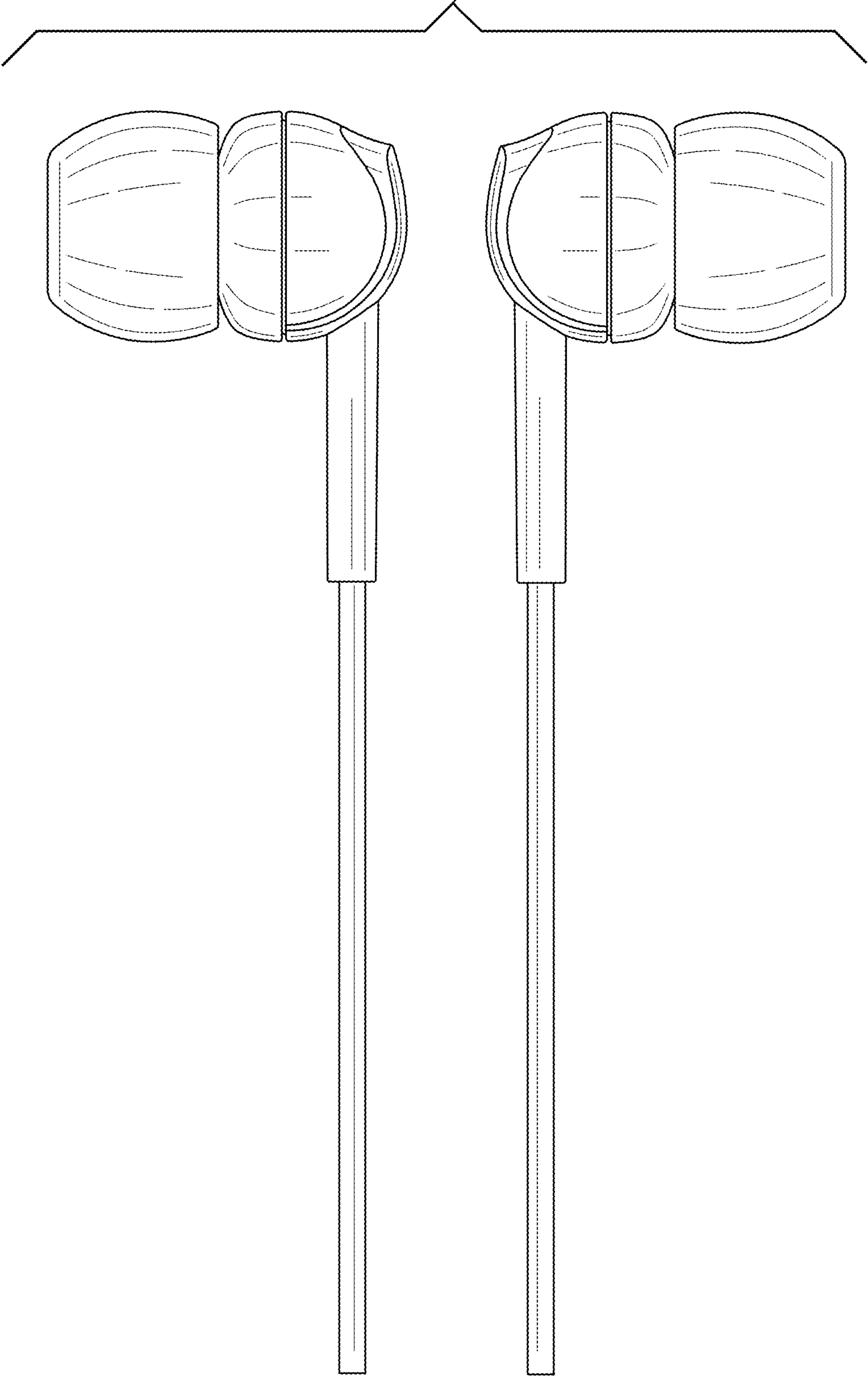


Fig. 5

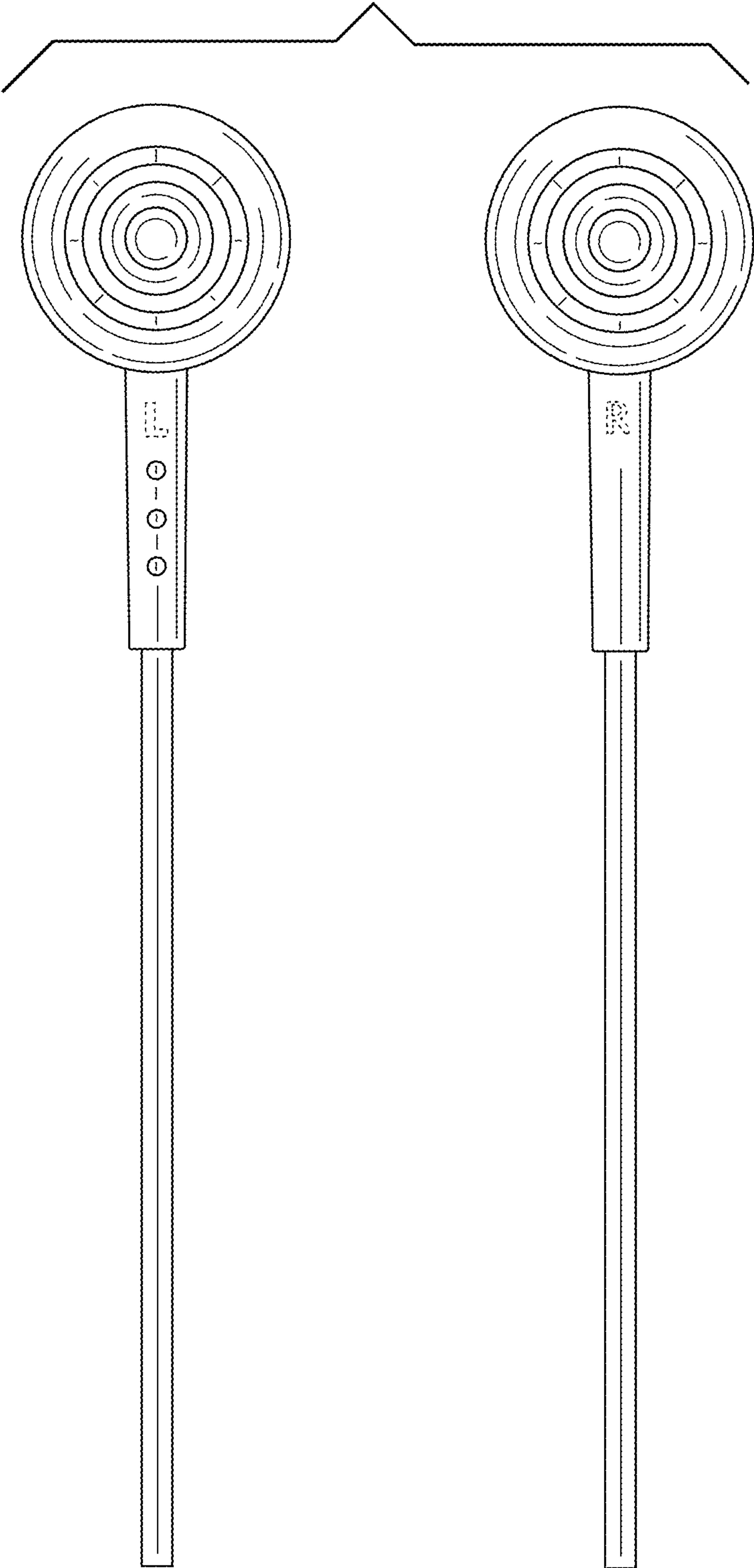


Fig. 6

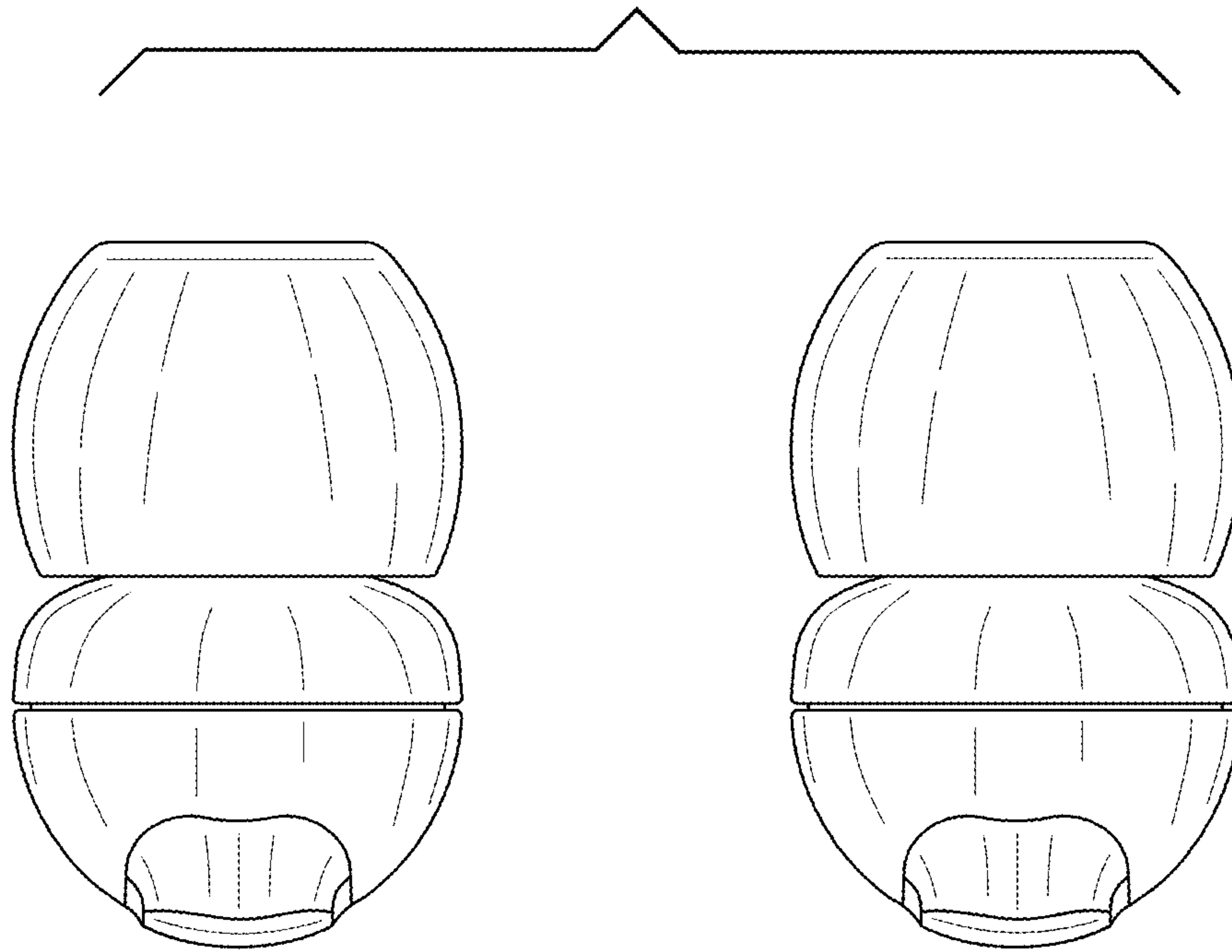


Fig. 7

