



US00D774478S

(12) **United States Design Patent** (10) **Patent No.:** **US D774,478 S**
Li (45) **Date of Patent:** **** Dec. 20, 2016**

(54) **FLAME-SHAPED PRINTED CIRCUIT BOARD FOR ELECTRONIC CANDLE OR OTHER ELECTRONIC LIGHT**

(71) Applicant: **Xiaofeng Li**, Shenzhen (CN)

(72) Inventor: **Xiaofeng Li**, Shenzhen (CN)

(**) Term: **14 Years**

(21) Appl. No.: **29/516,626**

(22) Filed: **Feb. 4, 2015**

(51) **LOC (10) Cl.** **13-03**

(52) **U.S. Cl.**
USPC **D13/182**

(58) **Field of Classification Search**
USPC D13/182, 155; 174/68.1, 68.2, 68.3, 250, 174/253, 254, 255, 256, 257, 258, 260; D7/653; D21/725, 729; D26/1, 2, 4, 5, 6, D26/7, 8
CPC H05K 3/36; H05K 3/361; H05K 3/363; H05K 3/365; H05K 3/40; H05K 3/4007; H05K 3/4015; H05K 3/0052; H05K 3/28; H05K 3/281; H05K 2201/0999; H05K 2201/09818; H05K 2201/04; H05K 2201/05; H05K 2201/051; H05K 2201/052; H05K 2201/053; H05K 2201/055; H05K 2201/056; H05K 2201/057; H05K 2201/058; H05K 2201/0715; H05K 1/0393; H05K 1/118; H05K 1/028; H05K 1/0281; H05K 1/0283
See application file for complete search history.

(56) **References Cited**

U.S. PATENT DOCUMENTS

- 1,507,371 A 9/1924 Goodridge
- 3,072,734 A * 1/1963 Fox H02B 1/043
174/254
- D359,476 S * 6/1995 Sakashita D13/182
- D363,920 S * 11/1995 Roberts D13/182
- 6,198,229 B1 3/2001 McCloud et al.

- D466,093 S * 11/2002 Ebihara D13/182
- D471,167 S * 3/2003 Ebihara D13/182
- D471,524 S * 3/2003 Ebihara D13/182
- D548,201 S * 8/2007 Jones D13/182
- D552,048 S * 10/2007 He D13/182
- D556,158 S * 11/2007 Kong D13/182
- D601,978 S * 10/2009 Matsuba D13/182
- D617,156 S * 6/2010 Griffith D7/688
- D637,566 S * 5/2011 Cleghorn D13/182
- D639,756 S * 6/2011 Greene, Jr. D13/182
- D691,101 S * 10/2013 Ishizawa D13/182
- D705,020 S * 5/2014 Fraser D7/401.2
- D716,743 S * 11/2014 Hu D13/182
- D738,833 S * 9/2015 Quintana D13/182

(Continued)

OTHER PUBLICATIONS

U.S. Appl. No. 29/512,019, filed Dec. 16, 2014, Li.

(Continued)

Primary Examiner — Elizabeth J Oswecki
(74) *Attorney, Agent, or Firm* — Perkins Coie LLP

(57) **CLAIM**

The ornamental design for a flame-shaped printed circuit board for an electronic candle or other electronic light, as shown and described.

DESCRIPTION

FIG. 1 is a perspective view of a flame-shaped printed circuit board for an electronic candle or other electronic light showing my new design;

FIG. 2 is a front view thereof;

FIG. 3 is a rear view thereof;

FIG. 4 is a right side view thereof;

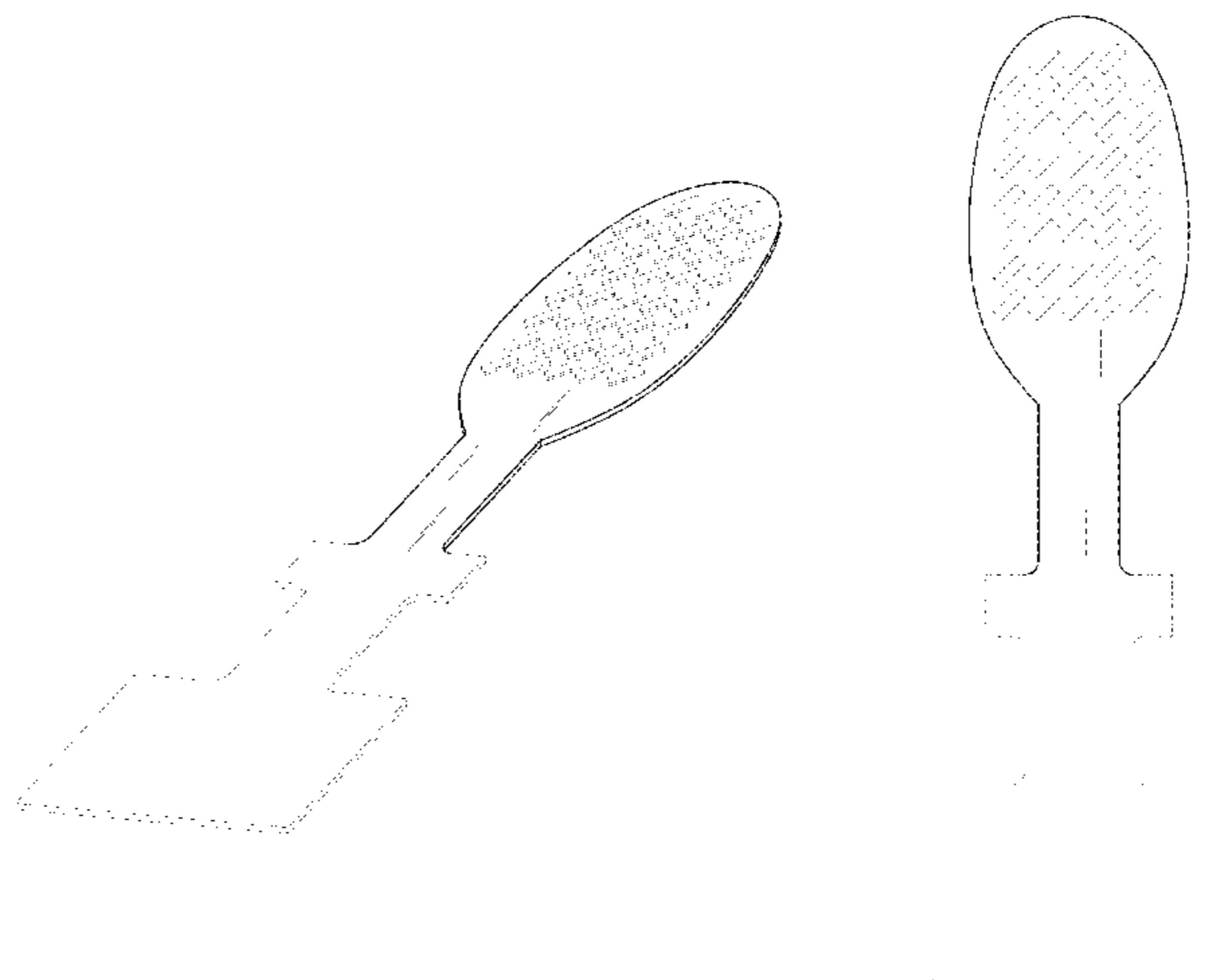
FIG. 5 is a left side view thereof;

FIG. 6 is a top view thereof; and,

FIG. 7 is a bottom view thereof.

The broken lines of FIGS. 1-8 are provided for purposes of illustration and form no part of the claimed design of the present application.

1 Claim, 5 Drawing Sheets



(56)

References Cited

U.S. PATENT DOCUMENTS

D739,685 S * 9/2015 Miksovsky D7/653
D757,666 S * 5/2016 Yokoo D13/182
2005/0007779 A1 1/2005 Nozawa et al.
2005/0169812 A1 8/2005 Helf et al.
2005/0196716 A1 9/2005 Haab et al.
2009/0268390 A1* 10/2009 King G06F 13/409
361/679.33
2013/0163249 A1 6/2013 Miura
2014/0211499 A1 7/2014 Fong et al.
2014/0254148 A1 9/2014 Fournier
2014/0268704 A1 9/2014 Yang
2014/0313694 A1 10/2014 Patton et al.
2015/0036348 A1 2/2015 Dong

OTHER PUBLICATIONS

U.S. Appl. No. 29/512,307, filed Dec. 18, 2014, Li.
U.S. Appl. No. 29/512,312, filed Dec. 18, 2014, Li.
U.S. Appl. No. 29/516,629, filed Feb. 4, 2015, Li.
U.S. Appl. No. 29/518,430, filed Feb. 24, 2015, Li.

* cited by examiner

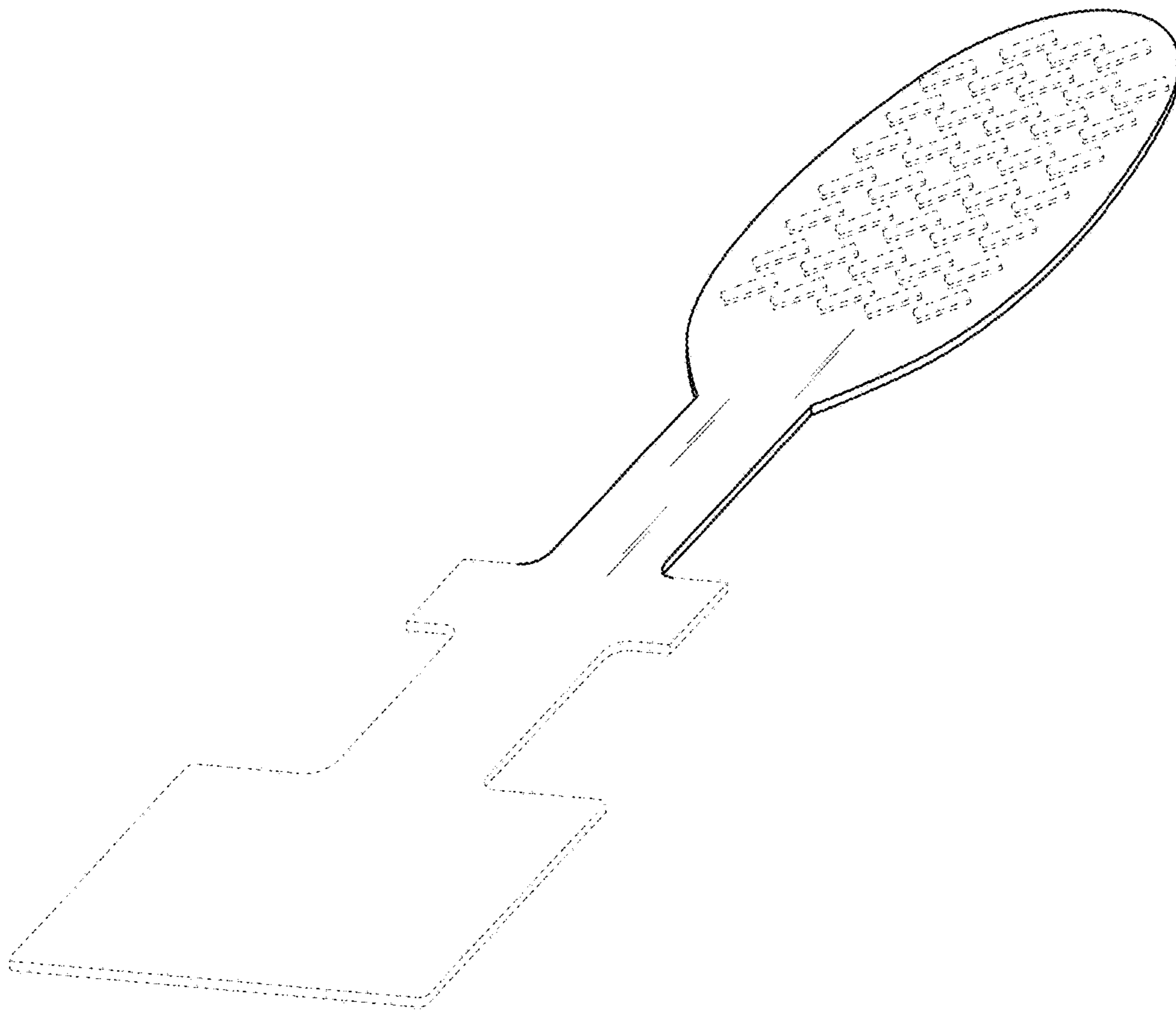


Fig. 1

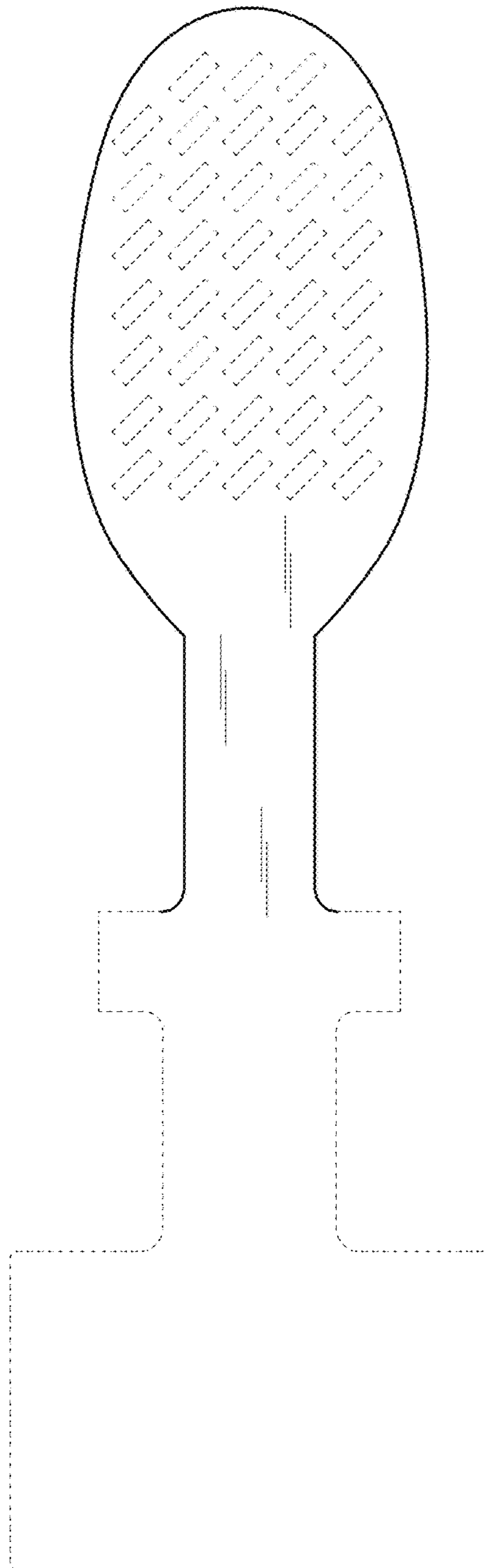


Fig. 2

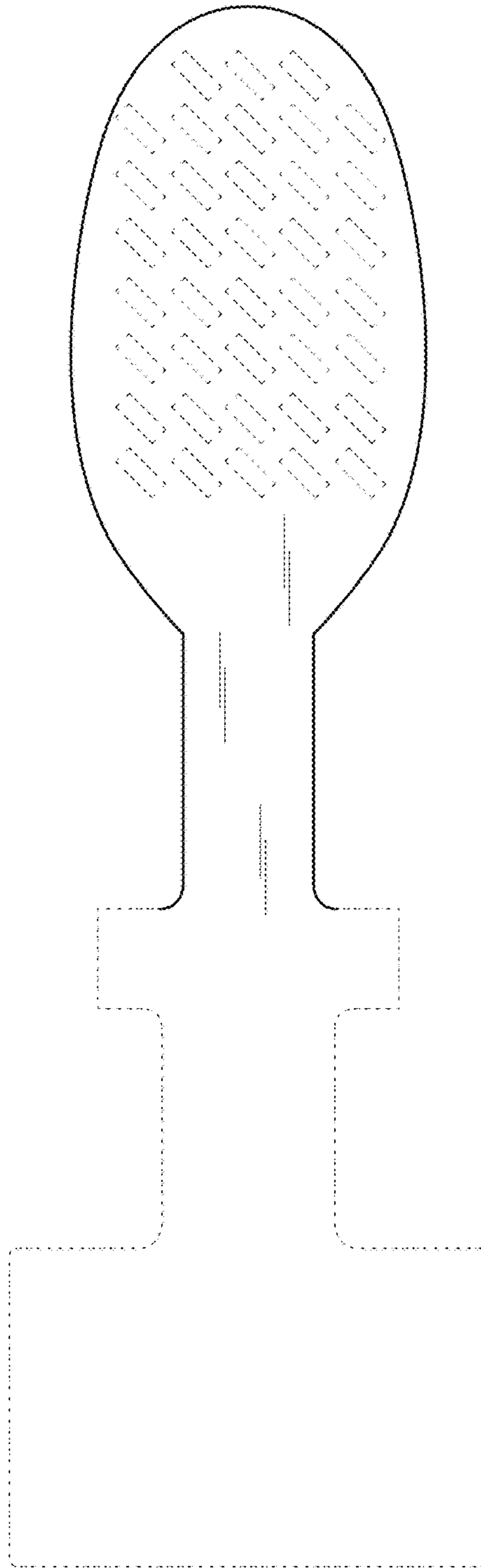


Fig. 3

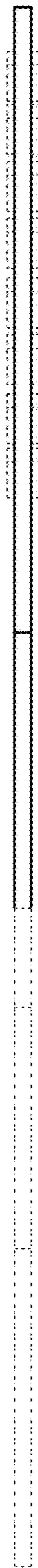


Fig. 4



Fig. 5

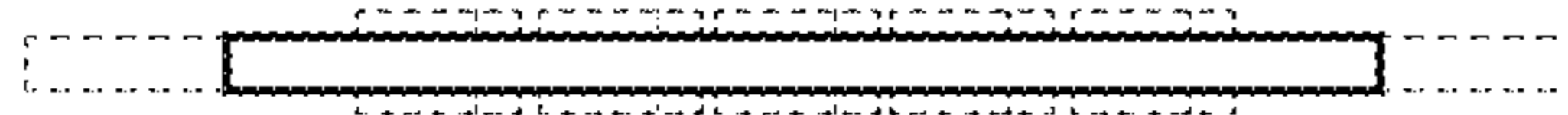


Fig. 6

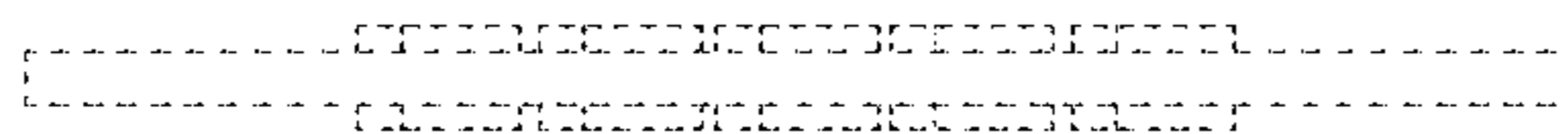


Fig. 7