



US00D774476S

(12) **United States Design Patent** (10) **Patent No.:** **US D774,476 S**
Song (45) **Date of Patent:** **** Dec. 20, 2016**

(54) **LED COMPONENT**
(71) Applicant: **Kingbright Electronic Co., Ltd.**, New Taipei (TW)
(72) Inventor: **Wen-Joe Song**, New Taipei (TW)
(73) Assignee: **KINGBRIGHT ELECTRONICS CO. LTD.** (TW)
(**) Term: **15 Years**

(21) Appl. No.: **29/555,800**
(22) Filed: **Feb. 25, 2016**
(51) **LOC (10) Cl.** **13-03**
(52) **U.S. Cl.**
USPC **D13/180**
(58) **Field of Classification Search**
USPC D13/180; D26/1
CPC H01L 25/167; H01L 25/0753; H01L 27/15;
H01L 27/156; H01L 31/02; H01L 33/00;
H01L 33/04; H01L 33/08; H01L 33/10;
H01L 33/20; H01L 33/38; H01L 33/42;
H01L 33/48; H01L 33/483; H01L 33/486
See application file for complete search history.

(56) **References Cited**
U.S. PATENT DOCUMENTS
7,049,639 B2 * 5/2006 Wang H01L 33/486
257/698
D576,571 S * 9/2008 Itai D13/180
D601,977 S * 10/2009 Tsuchiya D13/180
D602,884 S * 10/2009 Wada D13/180
7,781,888 B2 * 8/2010 Kobayakawa H01L 21/4828
257/690
D624,886 S * 10/2010 Ni D13/180
D653,628 S * 2/2012 Miyashita D13/180

D653,629 S * 2/2012 Miyashita D13/180
D676,002 S * 2/2013 Watanabe D13/180
D719,535 S * 12/2014 Iino D13/180
D750,578 S * 3/2016 Chu D13/180
D757,664 S * 5/2016 Chu D13/180
D757,665 S * 5/2016 Chu D13/180
2008/0238604 A1 * 10/2008 Sato H01C 1/084
338/21
2012/0187398 A1 * 7/2012 Lim H01L 25/167
257/43
2013/0240922 A1 * 9/2013 Yamamoto H01L 25/0753
257/89

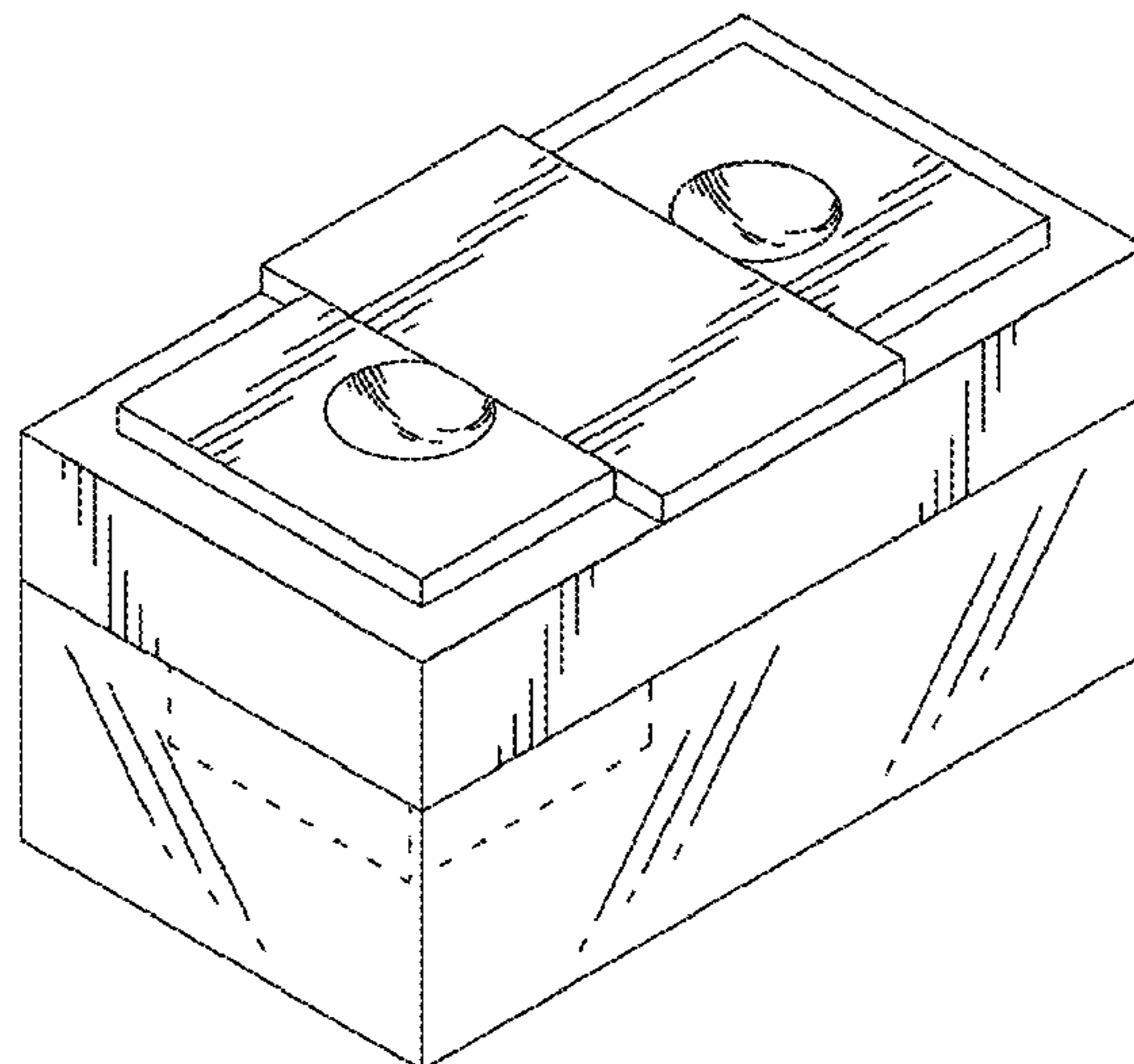
* cited by examiner

Primary Examiner — Selina Sikder
(74) Attorney, Agent, or Firm — Roger H. Chu

(57) **CLAIM**
The ornamental design for an LED component, as shown and described.

DESCRIPTION
FIG. 1 is a top, front and left side perspective view of an LED component showing my design;
FIG. 2 is a front elevation view thereof;
FIG. 3 is a rear elevation view thereof
FIG. 4 is a left side elevation view thereof
FIG. 5 is a right side elevation view thereof;
FIG. 6 is a top plan view thereof;
FIG. 7 is a bottom plan view thereof; and,
FIG. 8 is a bottom, front and right side perspective view thereof.
The broken line showing in the embodiments of FIGS. 1-8 are for illustrative purposes only and forms no part of the claimed design. The top layer can have be visually transparent or translucent as shown in the embodiments of FIGS. 1-8.

1 Claim, 5 Drawing Sheets



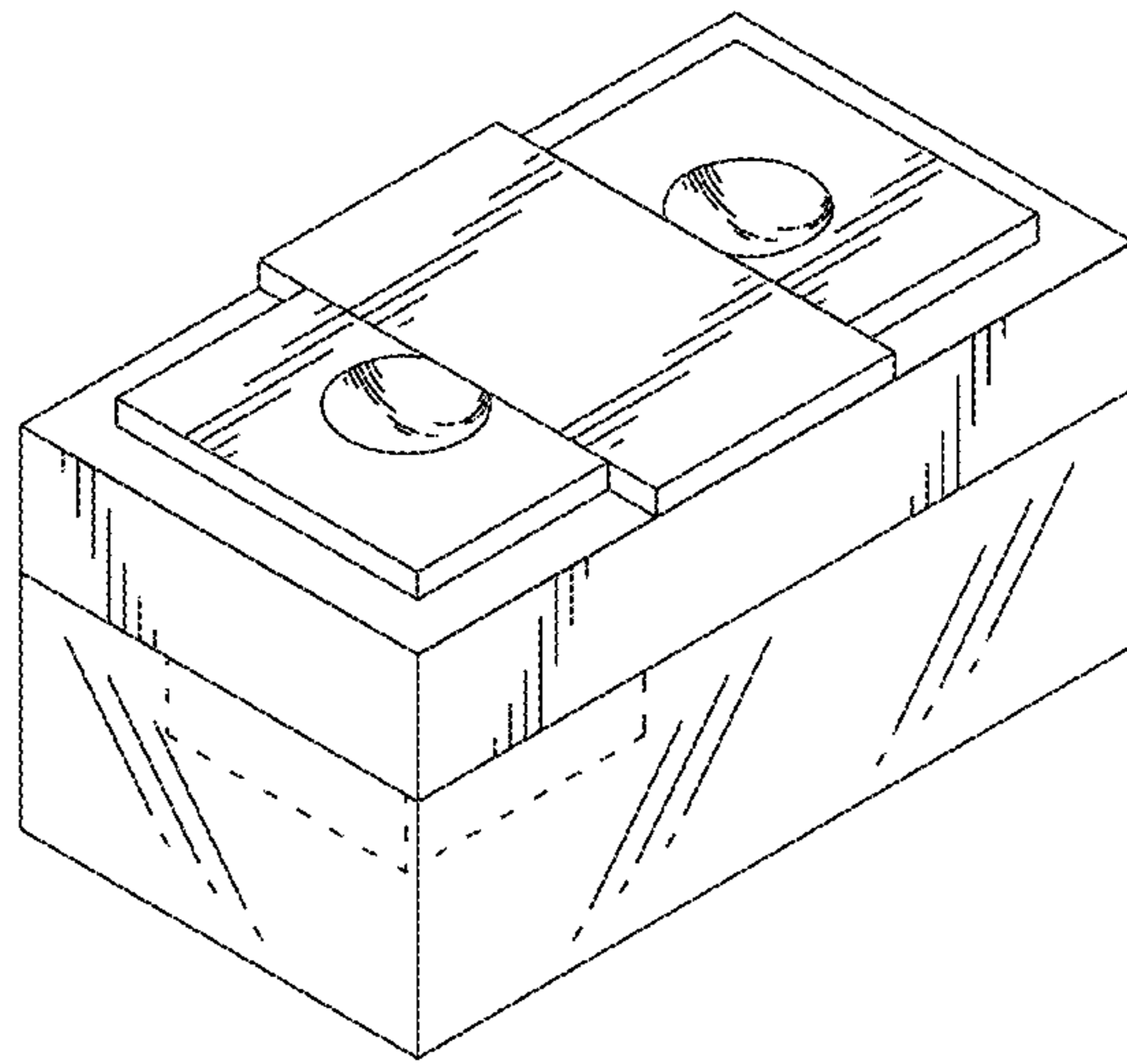


FIG. 1

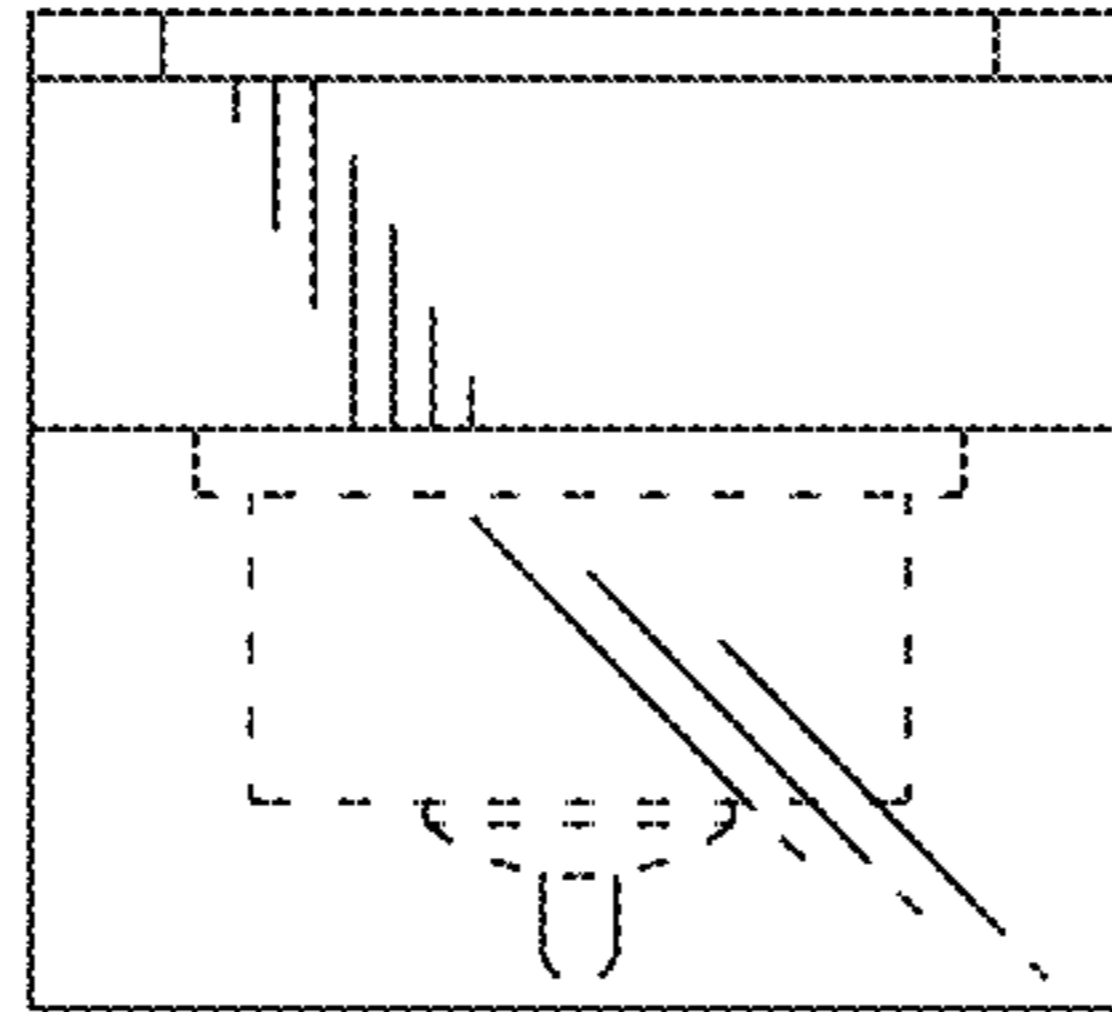


FIG. 2

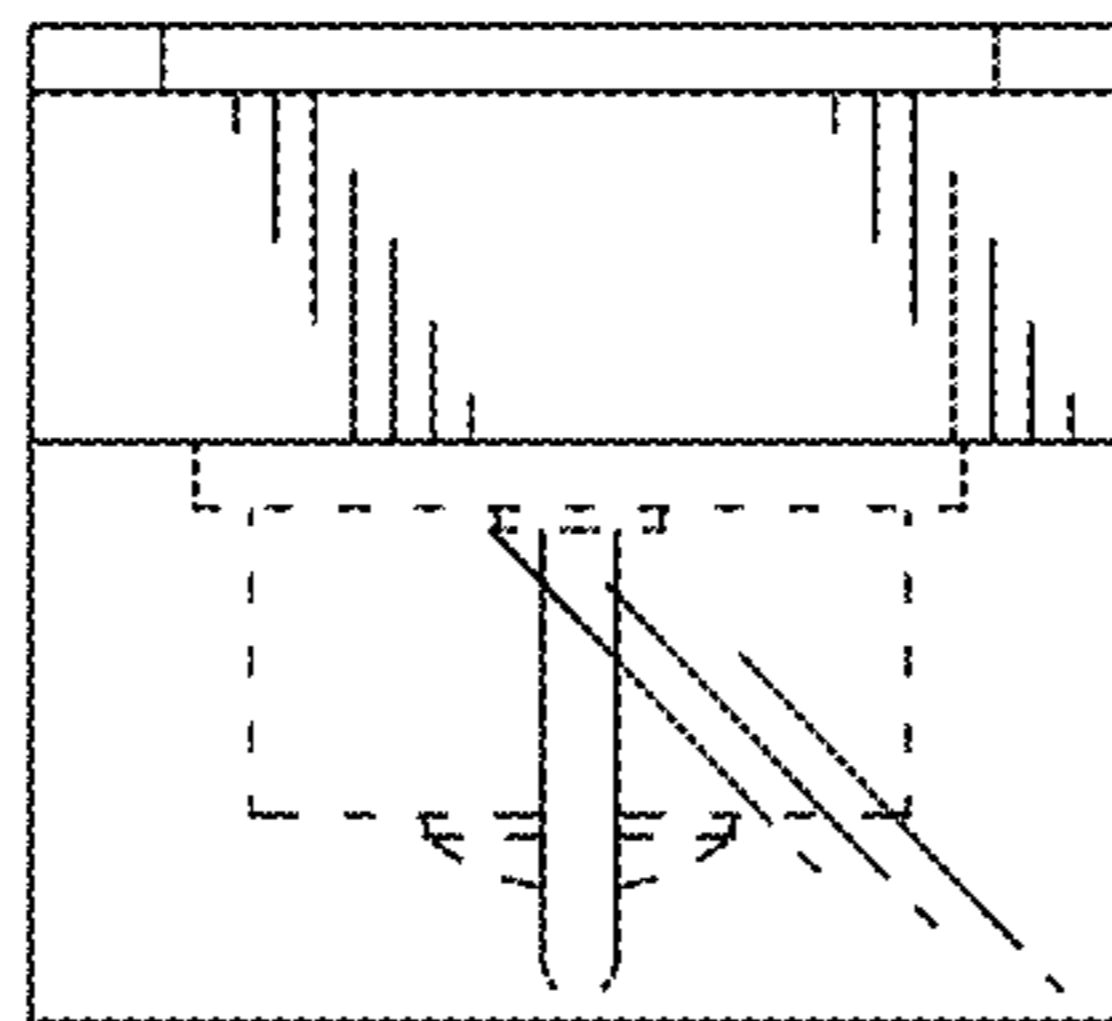


FIG. 3

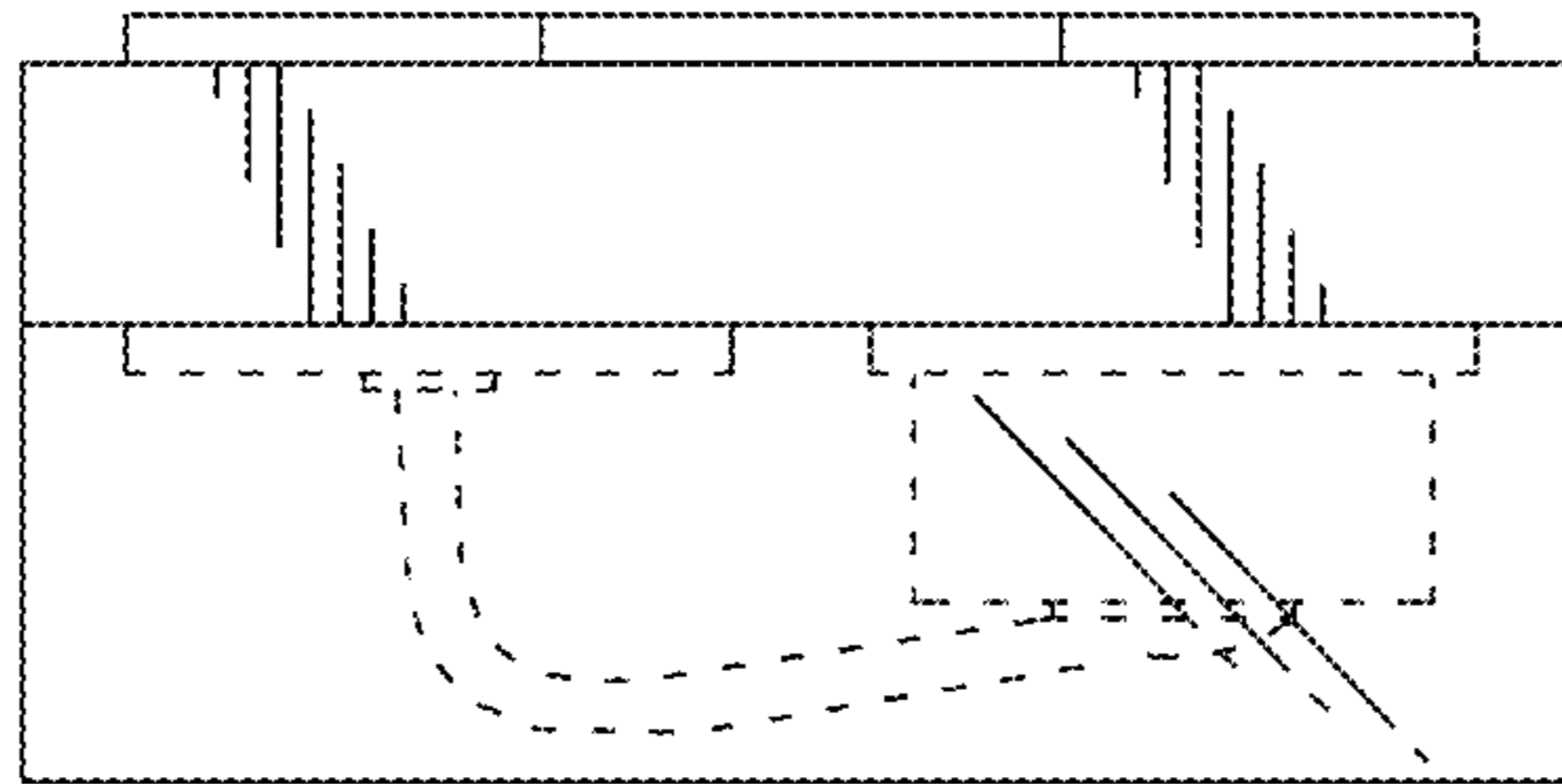


FIG. 4

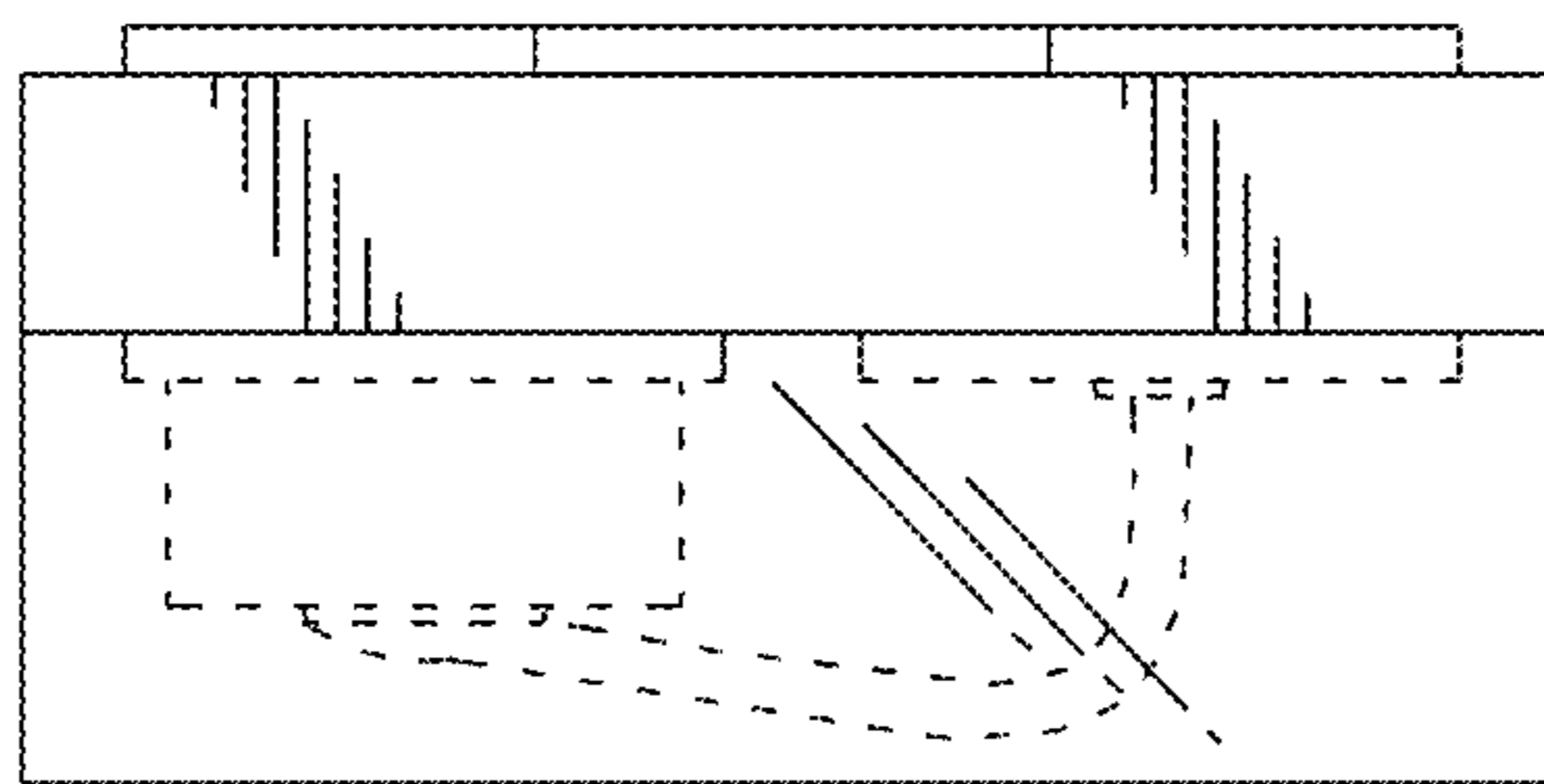


FIG. 5

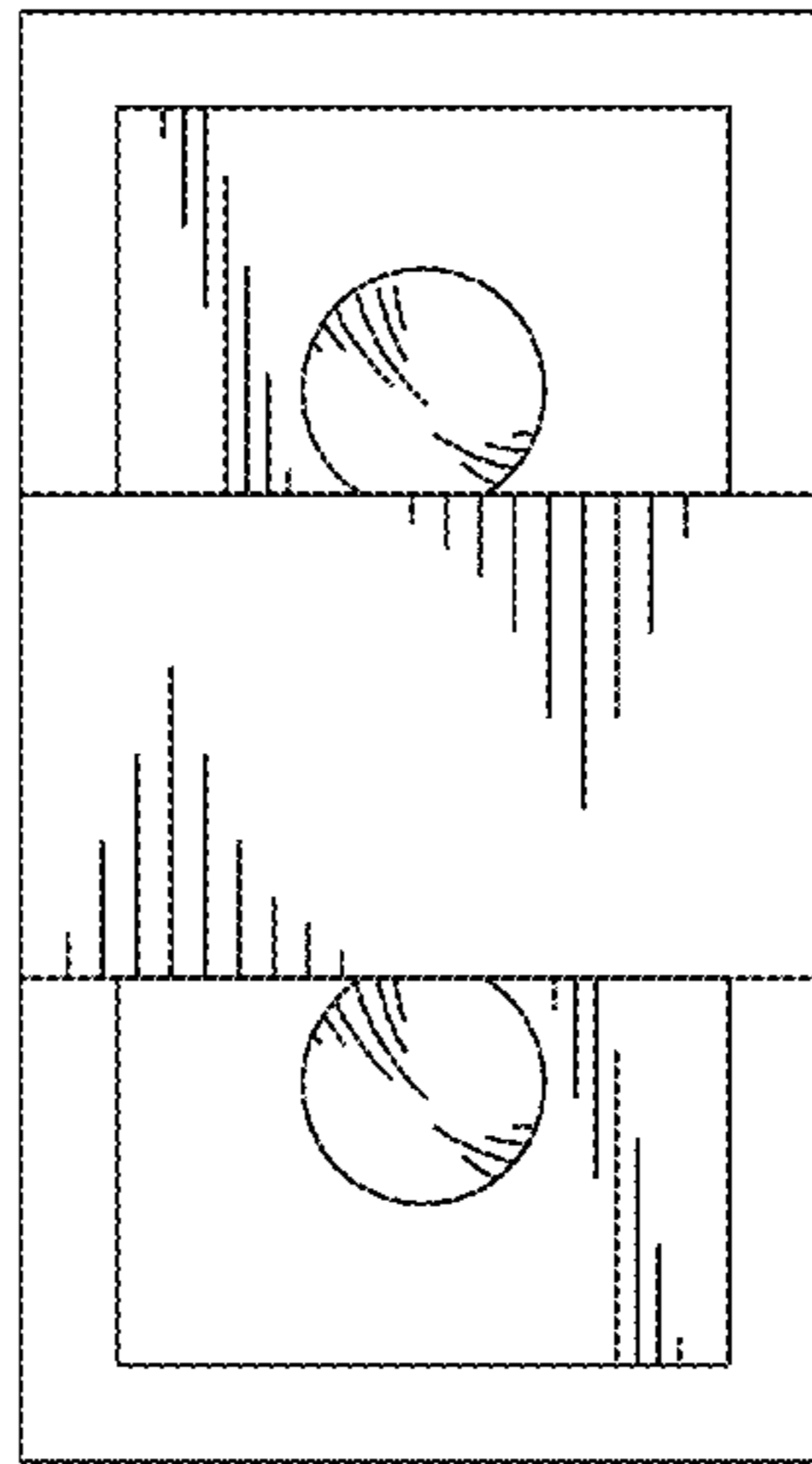


FIG. 6

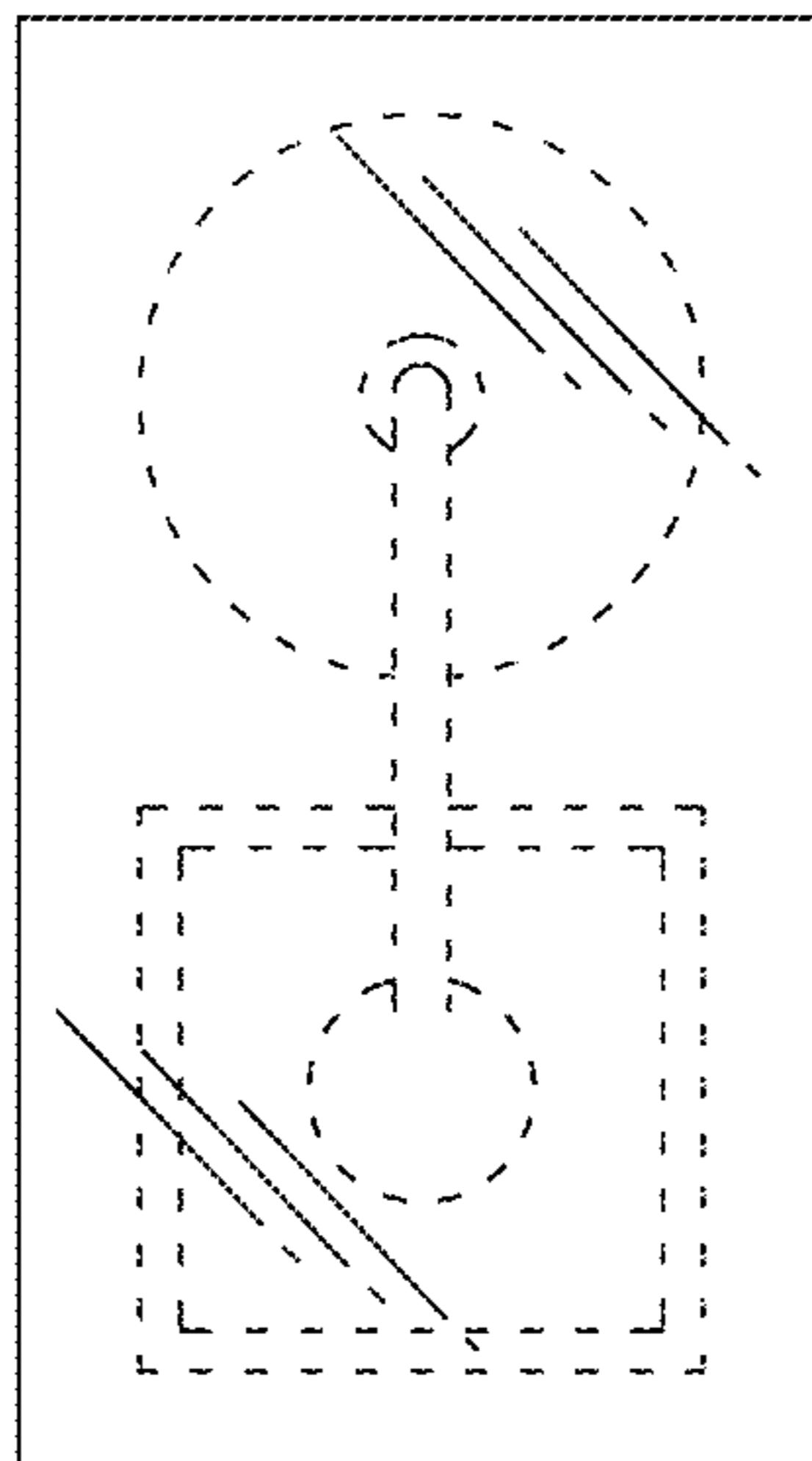


FIG. 7

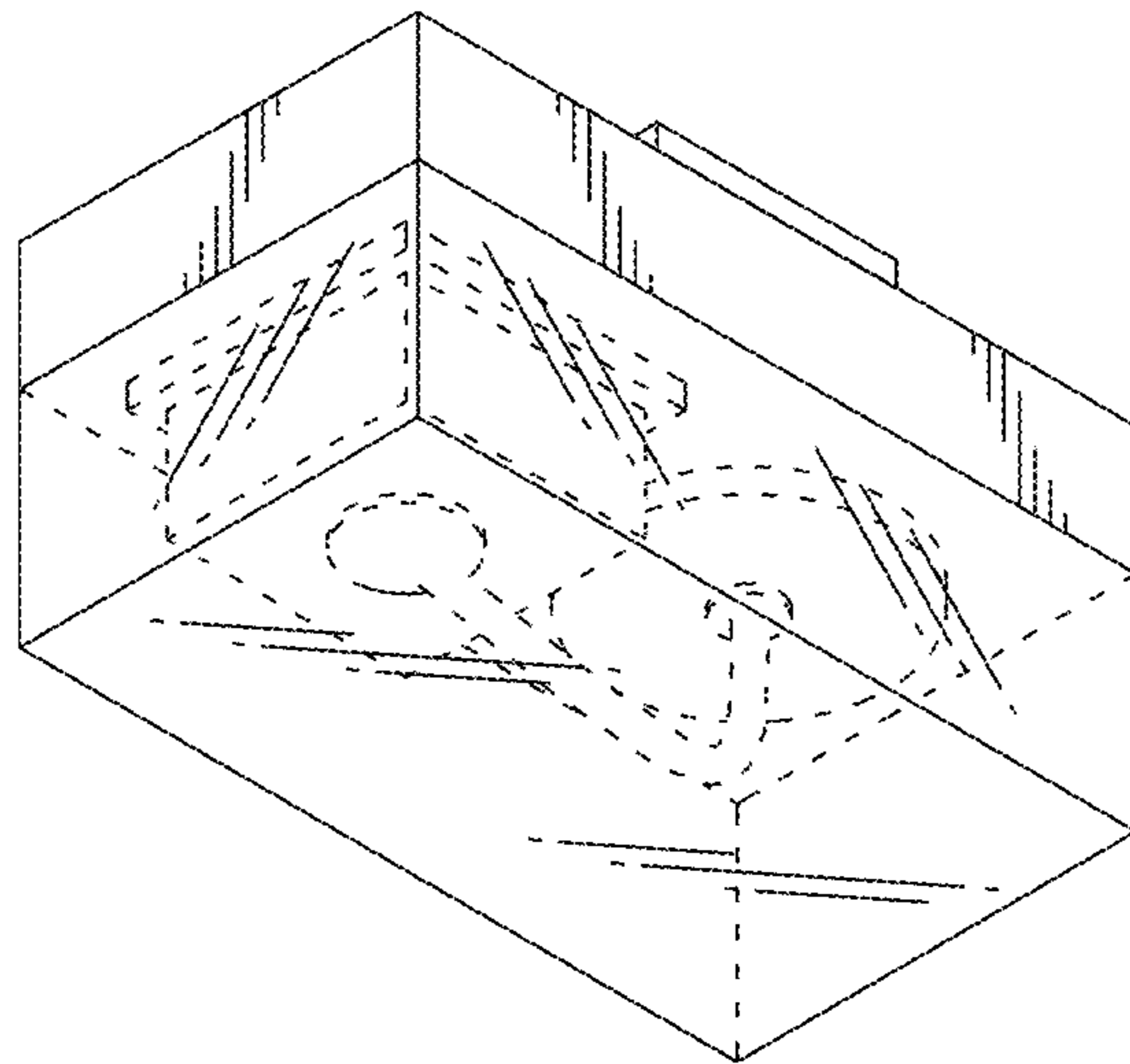


FIG. 8