



US00D774475S

(12) **United States Design Patent** (10) **Patent No.:** **US D774,475 S**
Song (45) **Date of Patent:** **** Dec. 20, 2016**

(54) **LED COMPONENT**
(71) Applicant: **Kingbright Electronic Co., Ltd.**, New Taipei (TW)
(72) Inventor: **Wen-Joe Song**, New Taipei (TW)
(73) Assignee: **KINGBRIGHT ELECTRONICS CO. LTD.** (TW)
(**) Term: **15 Years**

D624,886 S * 10/2010 Ni D13/180
D640,644 S * 6/2011 Tsou D13/180
8,089,092 B2 * 1/2012 Tanaka H01L 24/32
257/99
D671,507 S * 11/2012 Lee D13/180
D672,324 S * 12/2012 Lee D13/180
D672,732 S * 12/2012 Lee D13/180
8,587,014 B2 * 11/2013 Song H01L 33/486
257/99
D724,550 S * 3/2015 Song D13/180
D737,784 S * 9/2015 Song D13/180
2007/0246731 A1 * 10/2007 Isokawa H01L 23/49838
257/99
2009/0045428 A1 * 2/2009 Lin H01L 25/0753
257/99

(21) Appl. No.: **29/555,156**

(22) Filed: **Feb. 19, 2016**

(51) **LOC (10) Cl.** **13-03**

(52) **U.S. Cl.**
USPC **D13/180**

(58) **Field of Classification Search**
USPC D13/180; D26/1
CPC H01L 25/167; H01L 25/0753; H01L 27/15;
H01L 27/156; H01L 31/02; H01L 33/00;
H01L 33/04; H01L 33/08; H01L 33/10;
H01L 33/20; H01L 33/38; H01L 33/42;
H01L 33/48; H01L 33/483; H01L 33/486
See application file for complete search history.

(56) **References Cited**

U.S. PATENT DOCUMENTS

6,777,719 B1 * 8/2004 Fujii H01L 33/486
100/79
6,847,116 B2 * 1/2005 Isokawa H01L 33/486
257/673
7,002,185 B2 * 2/2006 Isokawa H01L 33/486
257/100
7,675,087 B1 * 3/2010 Cheng H01L 25/167
257/99
D619,977 S * 7/2010 Ni D13/180

* cited by examiner

Primary Examiner — Selina Sikder

(74) *Attorney, Agent, or Firm* — Roger H. Chu

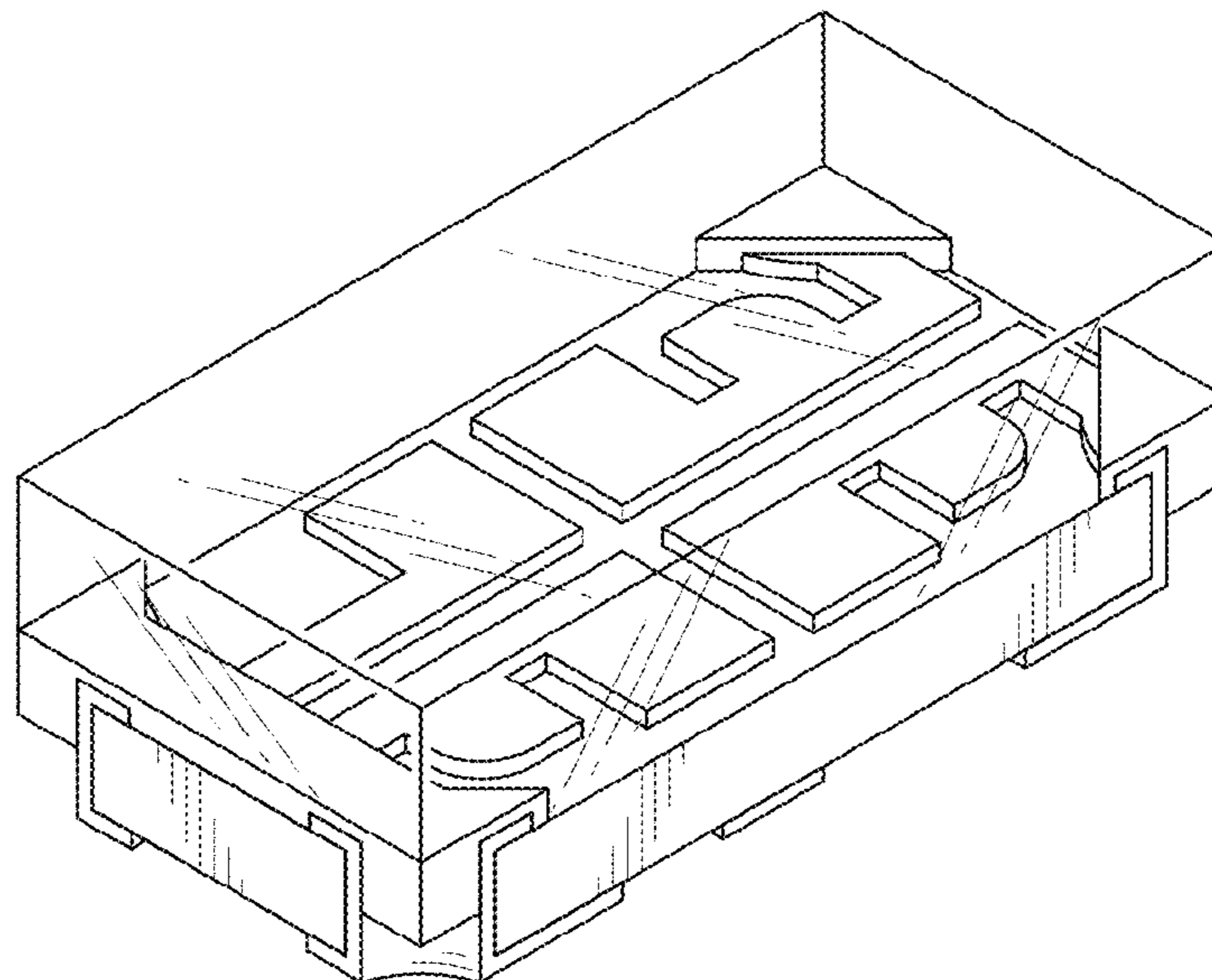
(57) **CLAIM**

The ornamental design for an LED component, as shown and described.

DESCRIPTION

FIG. 1 is a top, front and left side perspective view of an LED component showing my design;
FIG. 2 is a front elevation view thereof;
FIG. 3 is a rear elevation view thereof
FIG. 4 is a left side elevation view thereof
FIG. 5 is a right side elevation view thereof;
FIG. 6 is a top plan view thereof;
FIG. 7 is a bottom plan view thereof; and,
FIG. 8 is a bottom, front and right side perspective view thereof.

1 Claim, 5 Drawing Sheets



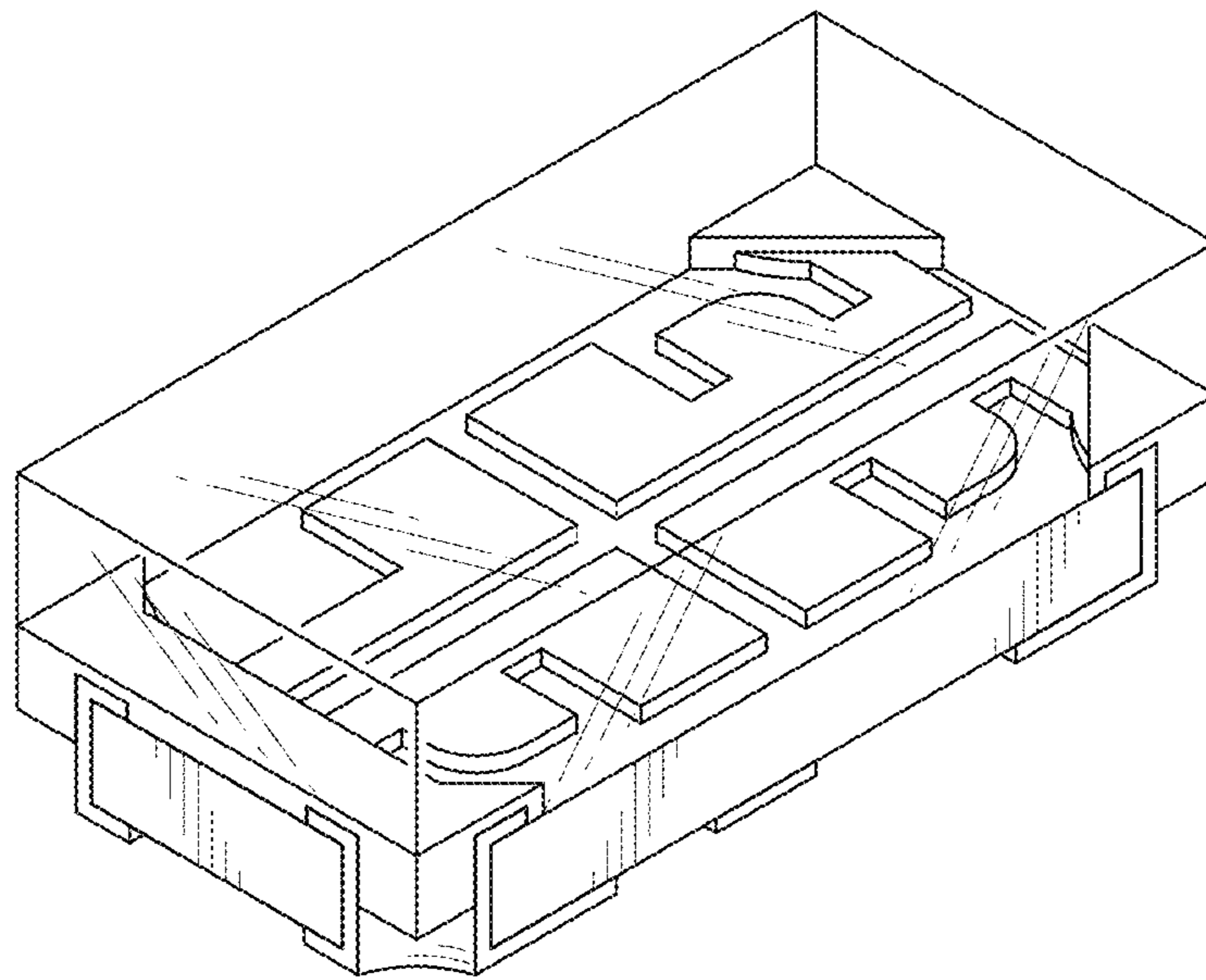


FIG. 1

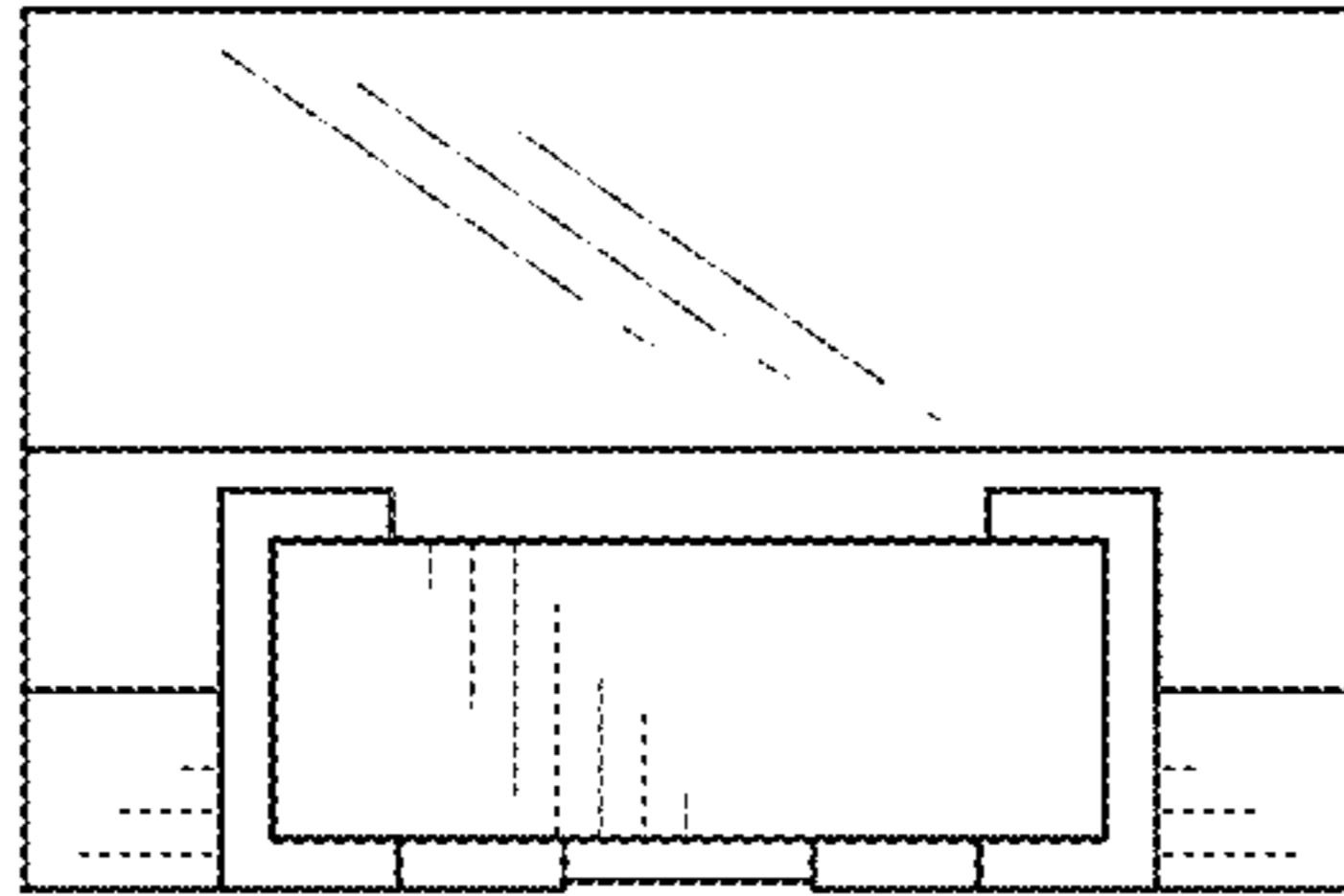


FIG. 2

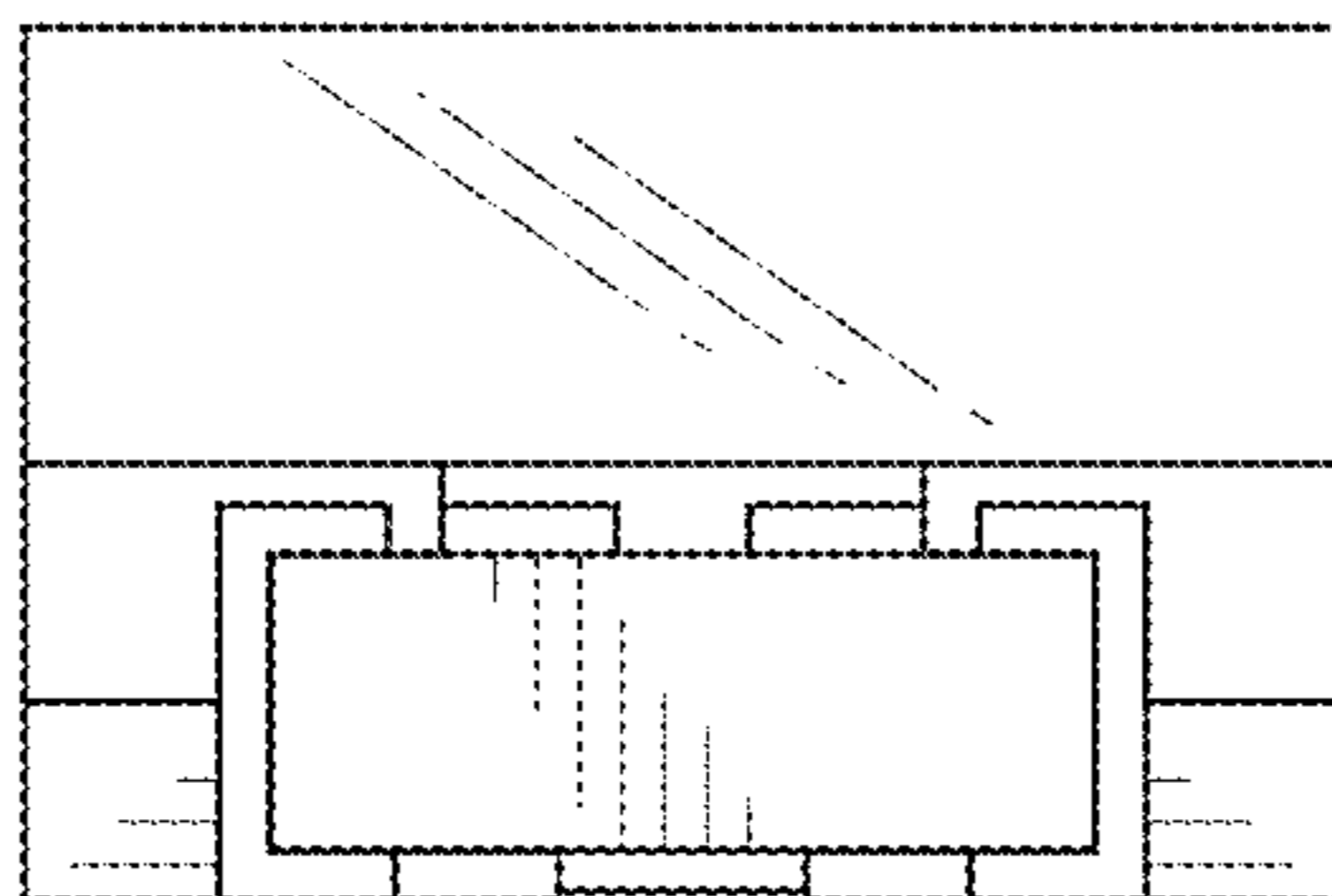


FIG. 3

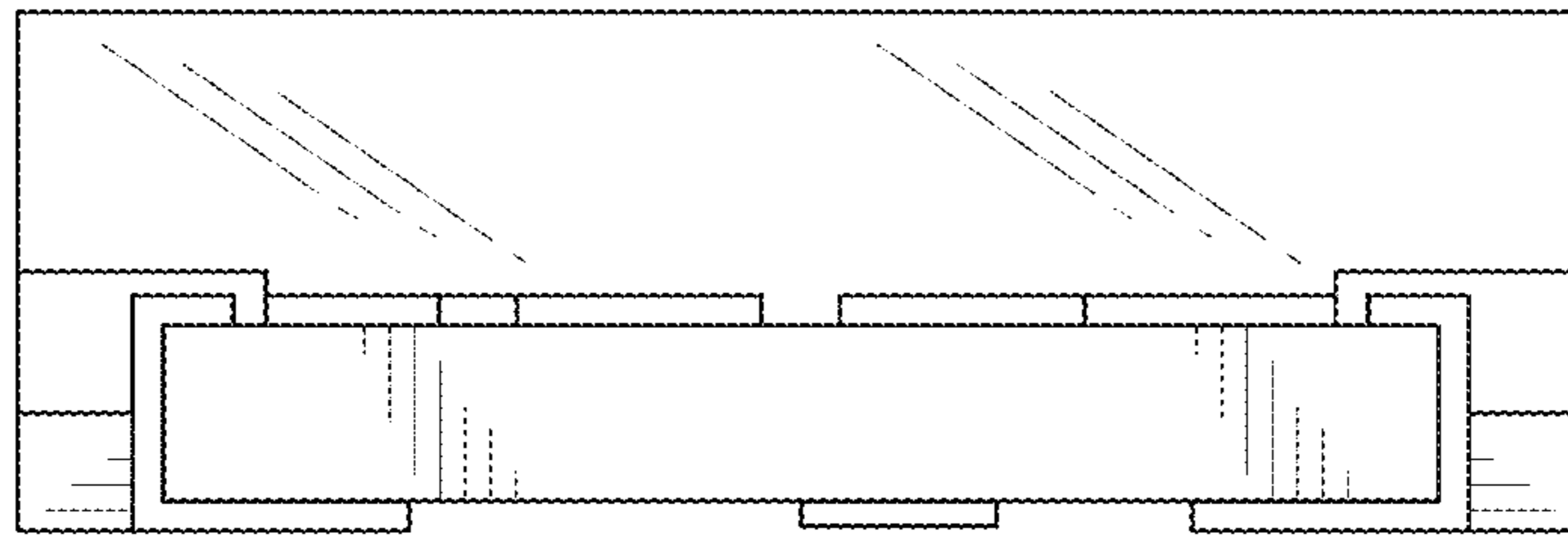


FIG. 4

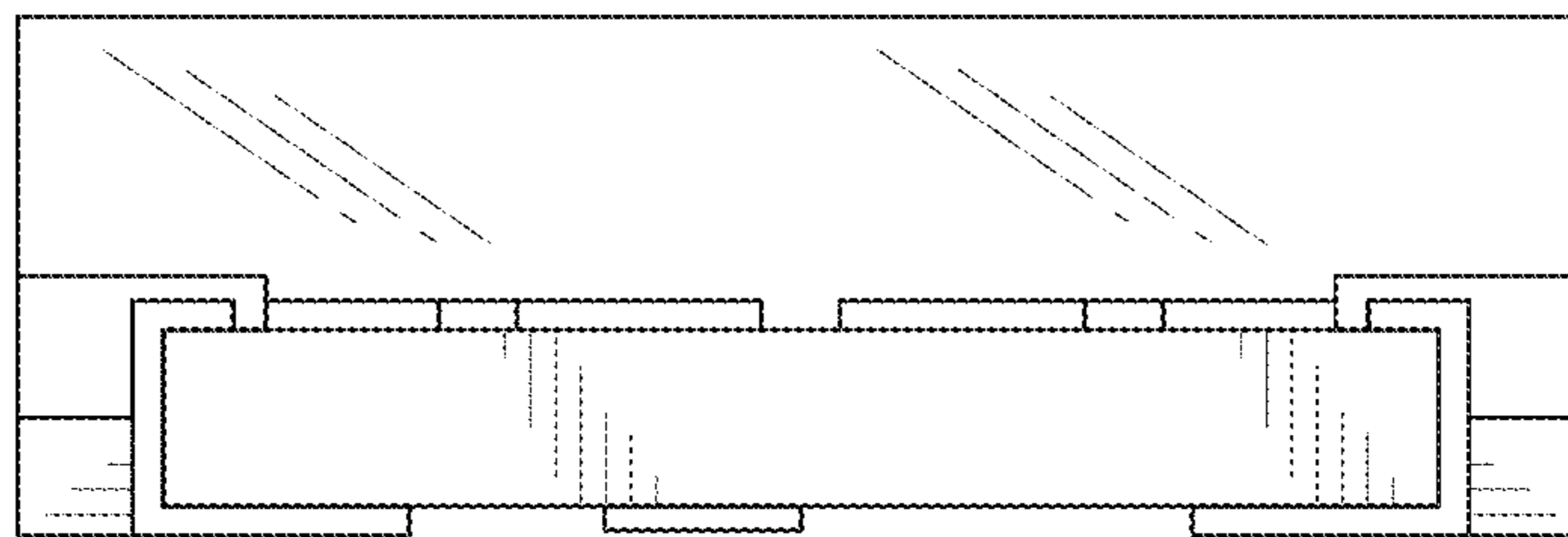


FIG. 5

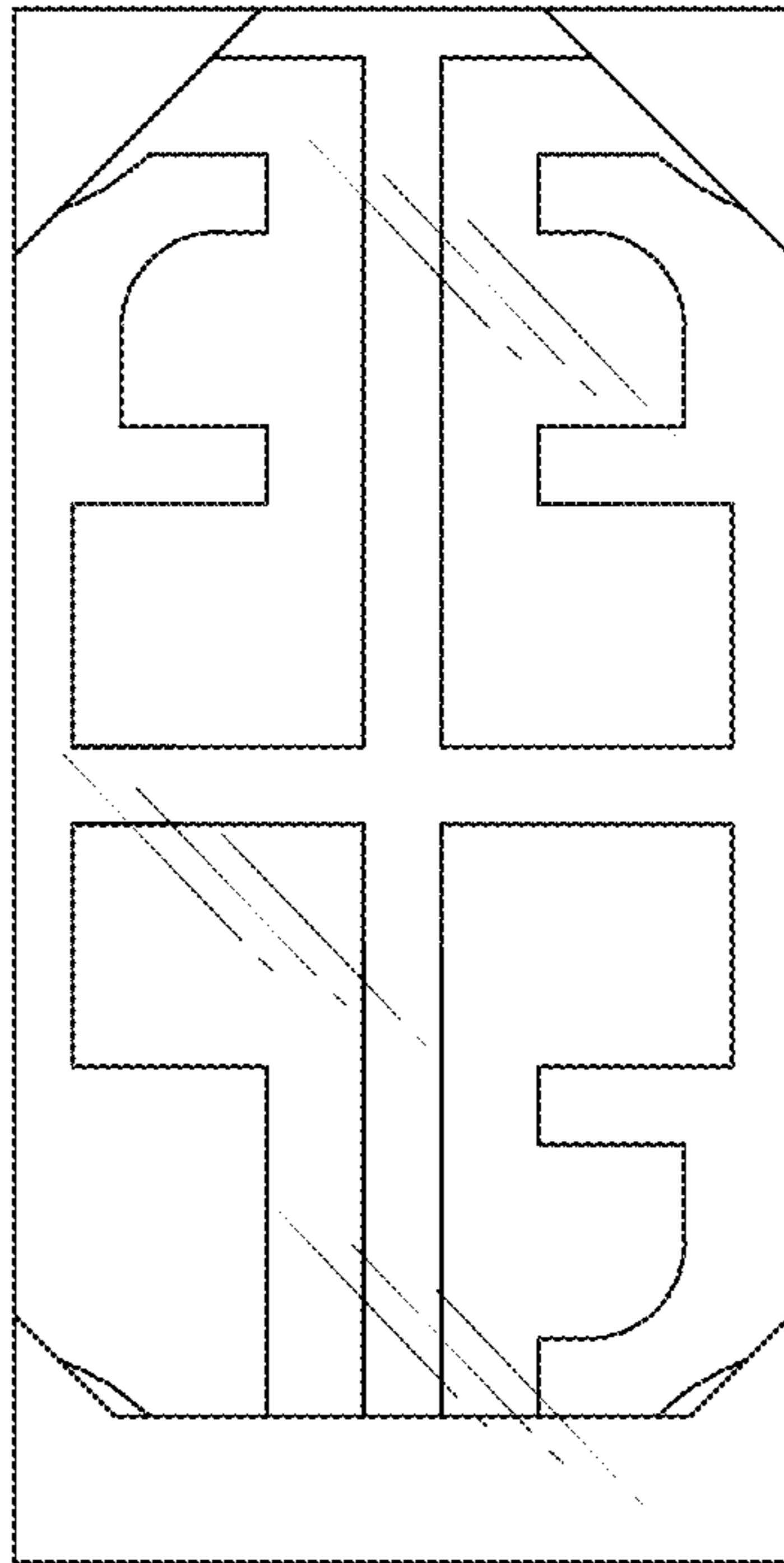


FIG. 6

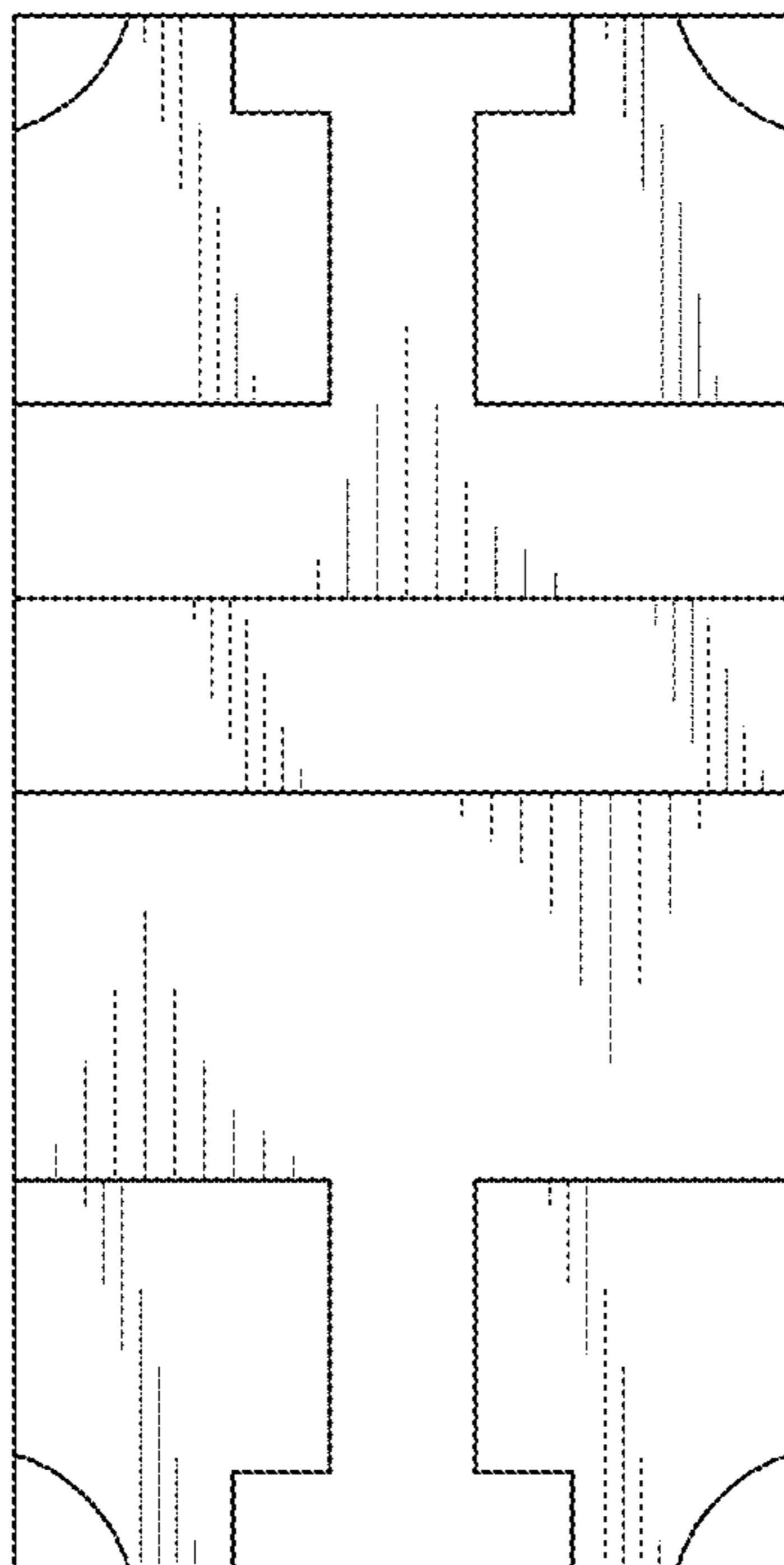


FIG. 7

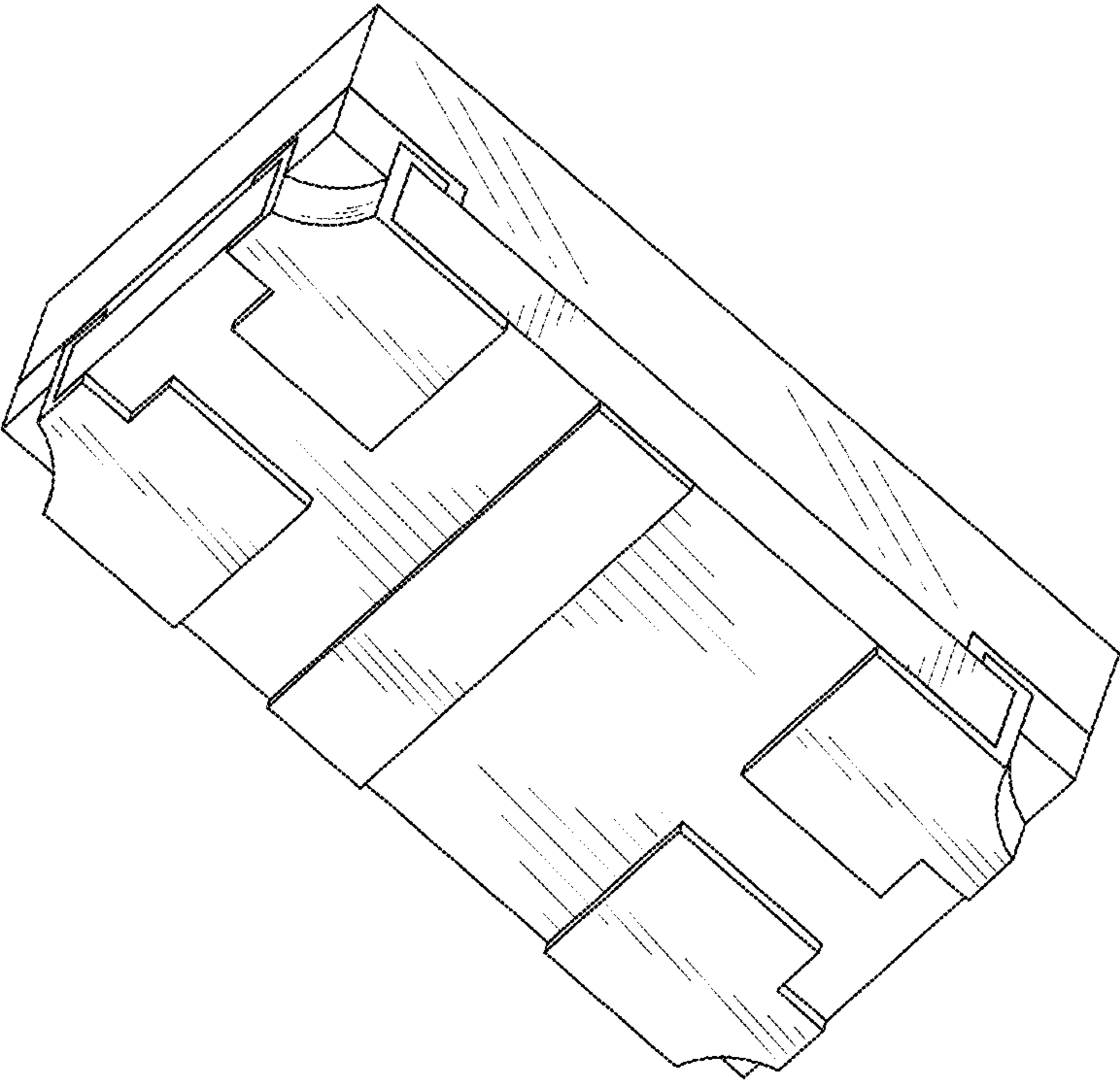


FIG. 8