



US00D774473S

(12) **United States Design Patent** (10) **Patent No.:** **US D774,473 S**
Lindeman (45) **Date of Patent:** **** Dec. 20, 2016**

- (54) **HEAT SINK MODULE**
- (71) Applicant: **EBULLIENT, LLC**, Madison, WI (US)
- (72) Inventor: **Brett A. Lindeman**, Madison, WI (US)
- (73) Assignee: **Ebullient, Inc.**, Madison, WI (US)
- (**) Term: **15 Years**
- (21) Appl. No.: **29/531,714**
- (22) Filed: **Jun. 29, 2015**

8,644,021 B2 * 2/2014 Chen F28D 15/0275
165/80.4
D715,747 S * 10/2014 Imoto D13/179
D722,576 S * 2/2015 Zimmer D13/179
2002/0117291 A1 * 8/2002 Cheon G06F 1/20
165/80.4

(Continued)

Related U.S. Application Data

- (63) Continuation of application No. 29/528,319, filed on May 28, 2015.
- (51) **LOC (10) Cl.** **13-03**
- (52) **U.S. Cl.**
USPC **D13/179**
- (58) **Field of Classification Search**
USPC D13/179, 182; D15/199
CPC H01L 23/473; H01L 23/4735; H01L 23/46;
H01L 23/467; H01L 23/4006; H01L
23/427; F28D 15/00; F28D 15/02; F28D
15/0275; F28F 31/02; G06F 1/20; G06F
2200/201
See application file for complete search history.

References Cited

U.S. PATENT DOCUMENTS

- D357,900 S * 5/1995 Katsui D13/179
- D404,720 S * 1/1999 Gayle D13/179
- D494,549 S * 8/2004 Lee D13/179
- D553,170 S * 10/2007 Remsburg D15/199
- D553,656 S * 10/2007 Reeves D15/199
- D582,359 S * 12/2008 Chang D13/179

OTHER PUBLICATIONS

UK420 Forum, "My DIY Led panel" Topic, post #32, Accessed May 27, 2016, Posted Nov. 5, 2014, (<http://www.uk420.com/boards/index.php?showtopic=349820&page=3>).*

(Continued)

Primary Examiner — Jennifer Rivard

Assistant Examiner — April Rivas

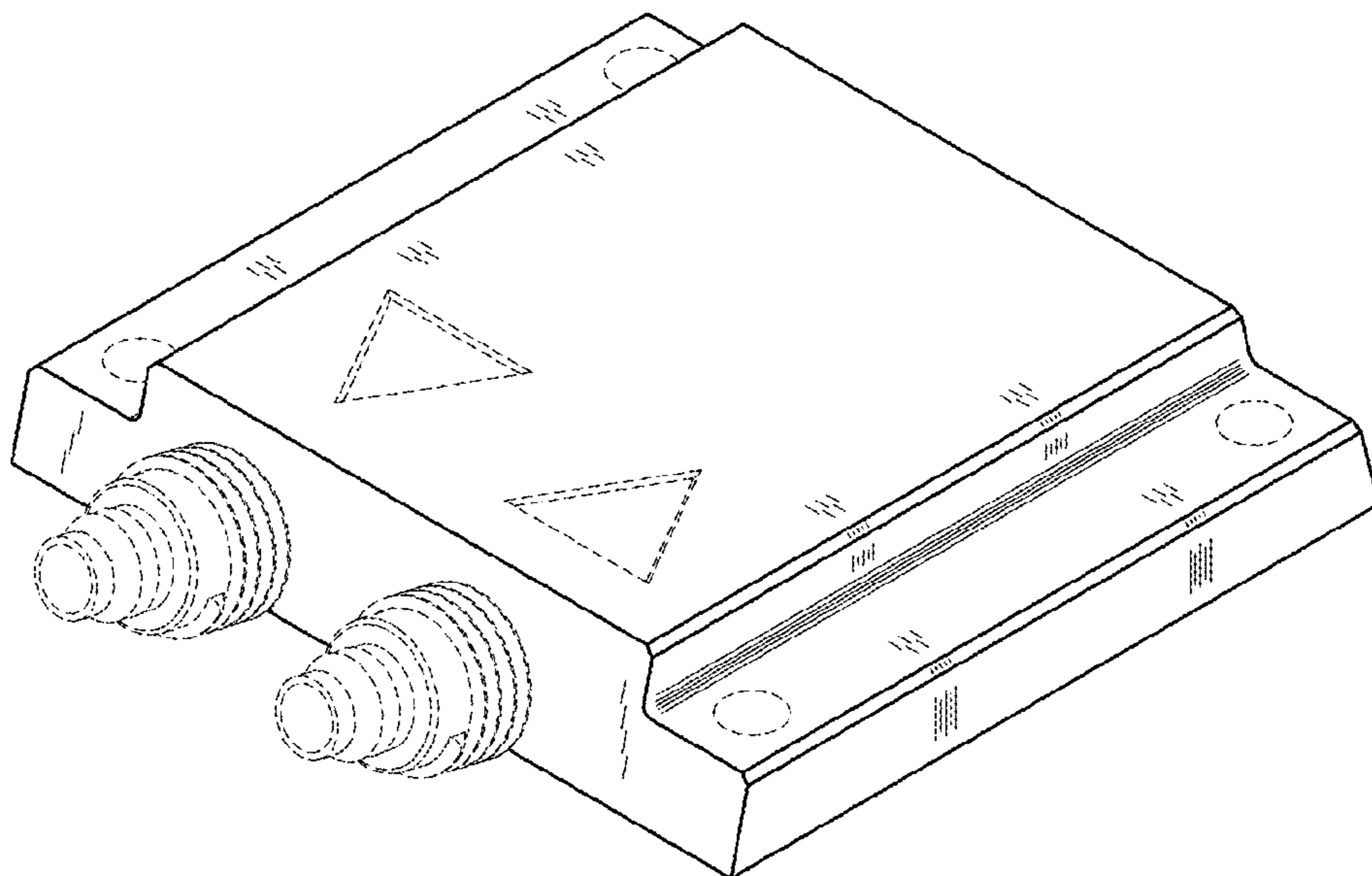
(57) **CLAIM**

The ornamental design for a heat sink module, as shown and described.

DESCRIPTION

FIG. 1 is top perspective view of a heat sink module;
 FIG. 2 is a bottom perspective view of the heat sink module of FIG. 1;
 FIG. 3 is a top view of the heat sink module of FIG. 1;
 FIG. 4 is a bottom view of the heat sink module of FIG. 1;
 FIG. 5 is a front view of the heat sink module of FIG. 1;
 FIG. 6 is a rear view of the heat sink module of FIG. 1;
 FIG. 7 is a left side view of the heat sink module of FIG. 1;
 and,
 FIG. 8 is a right side view of the heat sink module of FIG. 1.
 The broken lines shown in the drawings illustrate portions of the heat sink module and form no part of the claimed design.

1 Claim, 4 Drawing Sheets



(56)

References Cited

U.S. PATENT DOCUMENTS

2006/0162340 A1* 7/2006 Kuo G06F 1/20
62/3.2
2007/0058342 A1* 3/2007 Wu H05K 7/20154
361/695
2009/0120621 A1* 5/2009 Sheinman H01L 23/4735
165/104.33
2011/0155353 A1* 6/2011 Wan F28D 15/00
165/104.31
2012/0182690 A1* 7/2012 Wang G06F 1/20
361/697
2014/0030900 A1* 1/2014 Leigh H01L 23/4006
439/196
2014/0069614 A1* 3/2014 Chiu F28D 15/00
165/104.13
2014/0131007 A1* 5/2014 Lyon F28F 9/007
165/67
2014/0311176 A1* 10/2014 Meng F25D 7/00
62/314
2015/0124404 A1* 5/2015 Shen H01R 13/62994
361/694

2015/0138722 A1* 5/2015 French, Jr. G06F 1/20
361/679.47
2016/0118317 A1* 4/2016 Shedd F25B 23/006
257/712
2016/0128238 A1* 5/2016 Shedd H05K 7/20772
361/679.47

OTHER PUBLICATIONS

Twitter, "Media Tweets by Ebullient (@EbullientInc)", Relevant images as early as Apr. 24, 2015, Accessed May 27, 2016. (https://twitter.com/Ebullient_Inc/media).*

Amazon, "Nhowe SC-VG46 VGA GPU Water Cooling Block . . .", Accessed May 27, 2016, First sold on Nov. 7, 2015, (https://www.amazon.com/Nhowe-SC-VG46-Cooling-Support-version/dp/B017P09W9C?ie=UTF8&keywords=Aluminum%20Water%Block&qid=1464369241&ref_=sr_1_87&s=pc&sr=1-87).*

Linus Tech Tips, "EK Introduces Annihilator Series 1U CPU Water Block for server and workstation type motherboards", Accessed May 27, 2016, Posted May 15, 2015. (<https://linustechtips.com/main/topic/367045-ek-introduces-annihilator-series-1u-cpu-water-block-for-server-and-workstation-type-motherboards/>).*

* cited by examiner

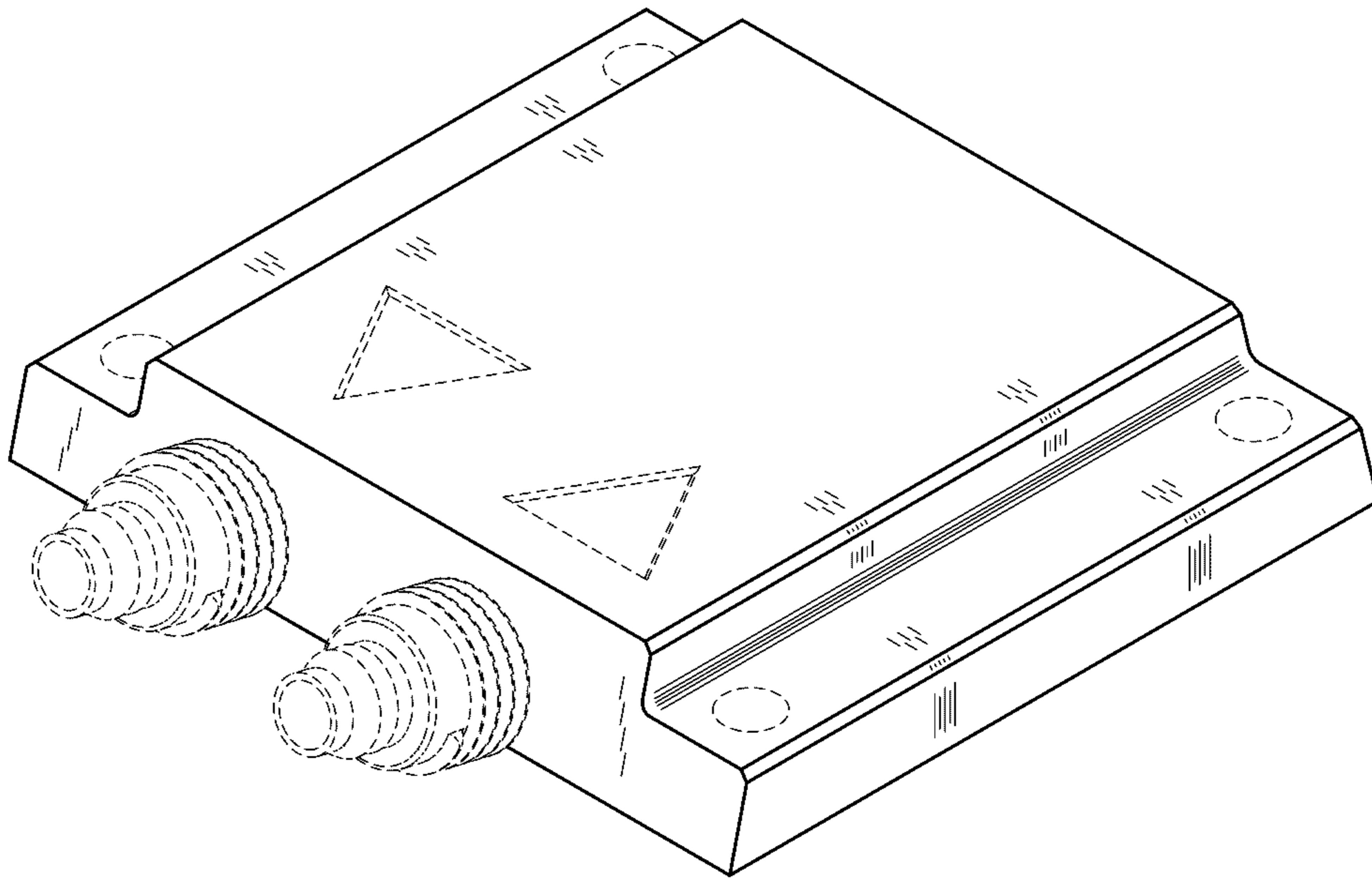


FIG. 1

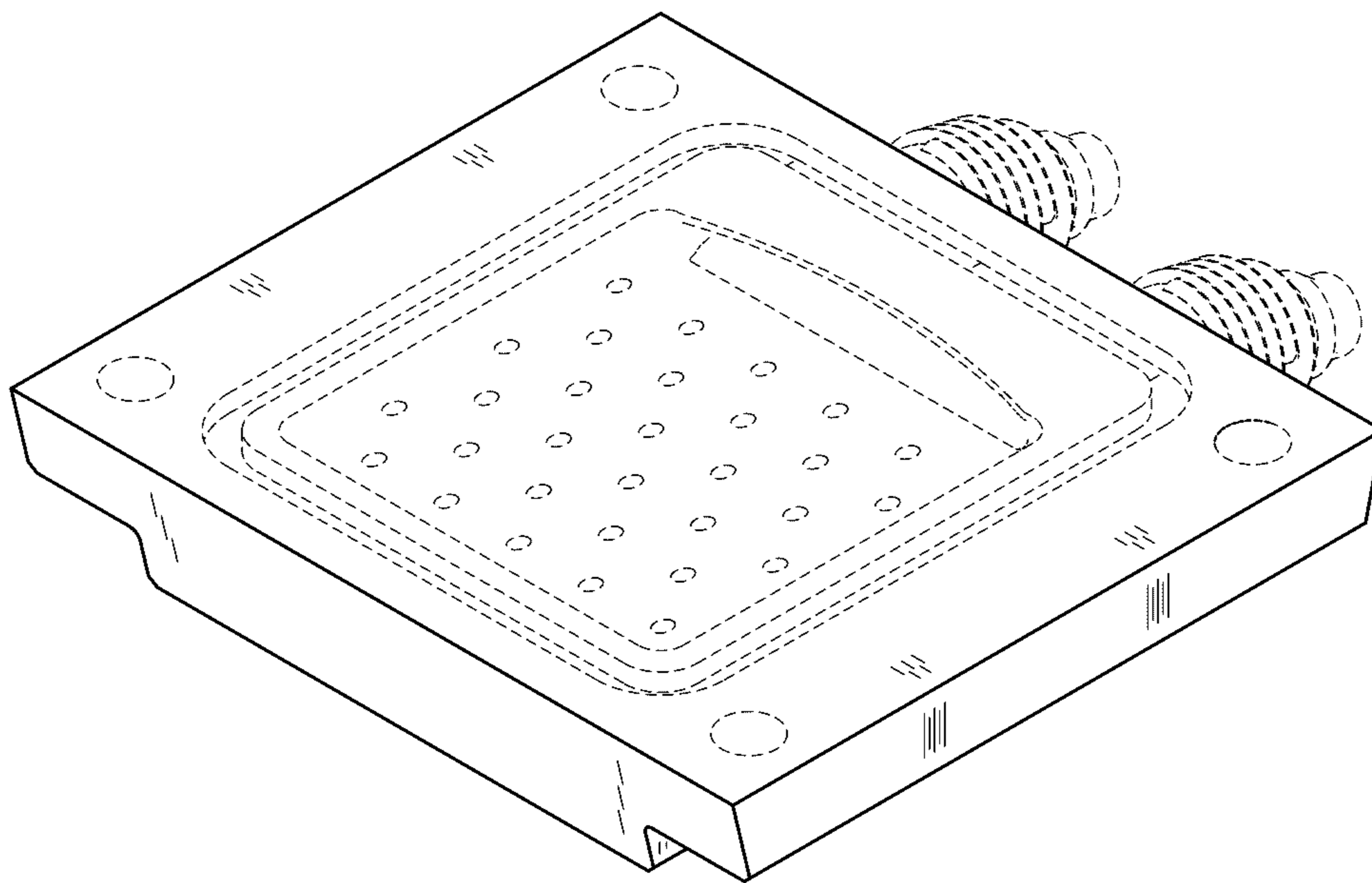


FIG. 2

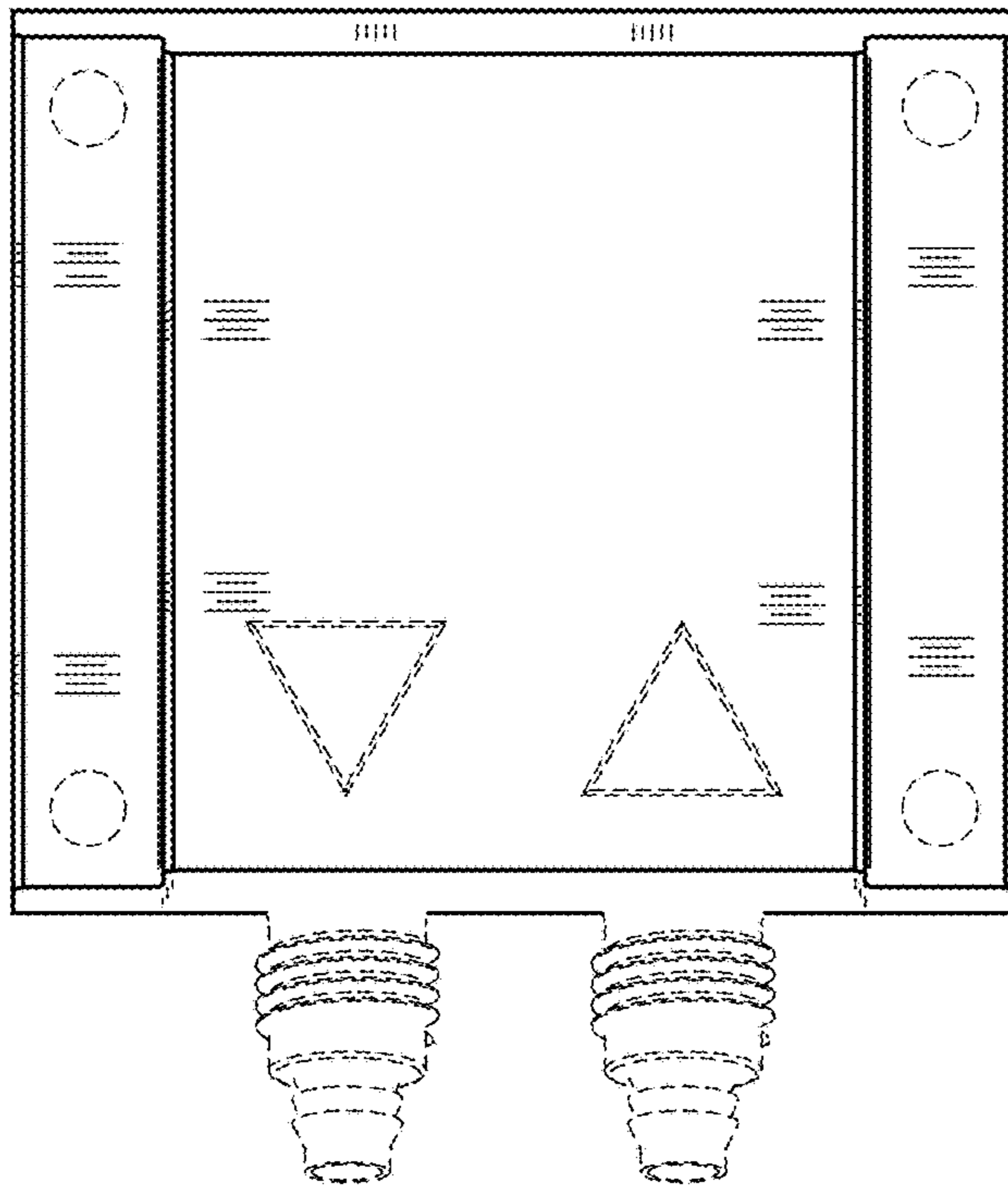


FIG. 3

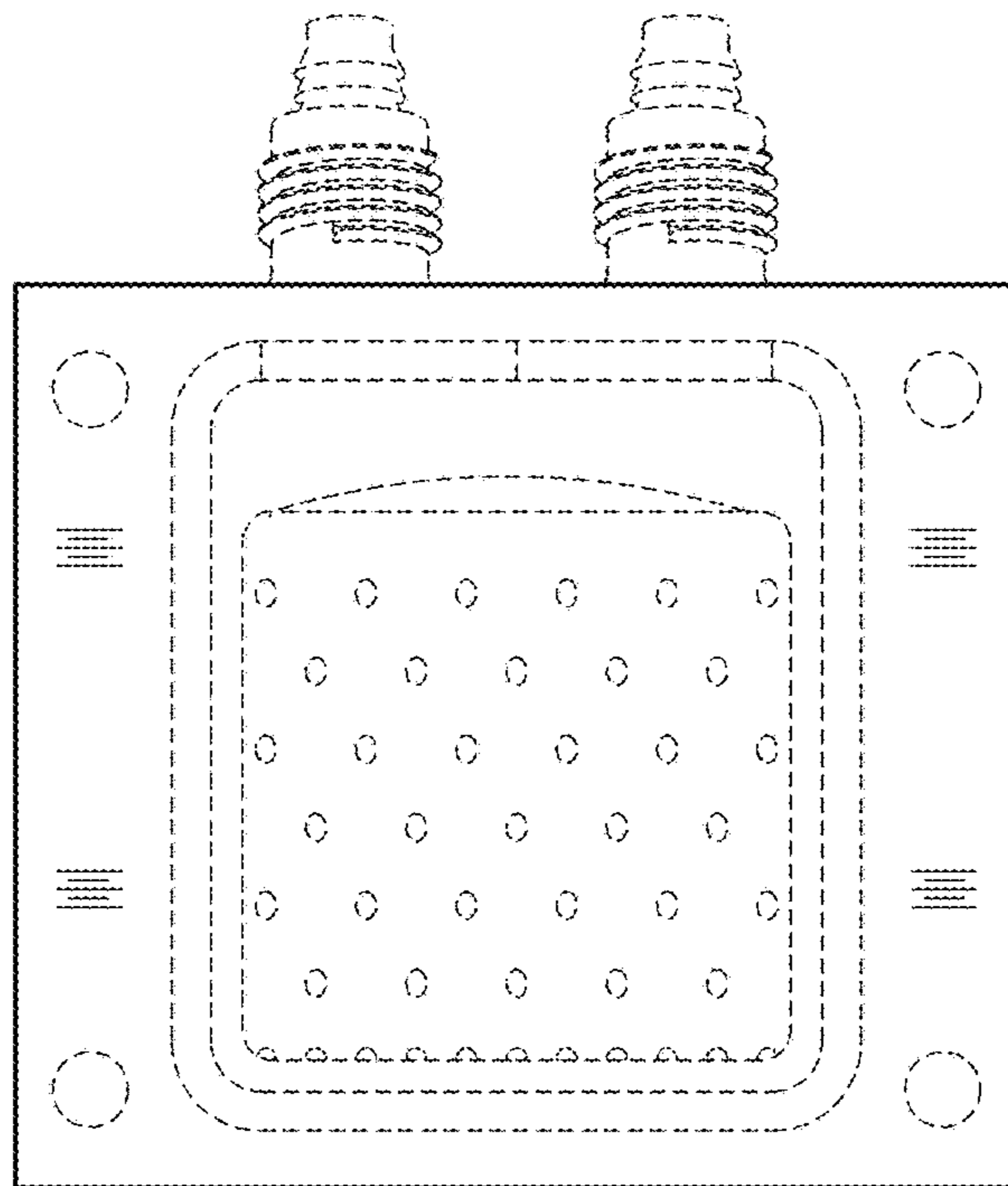


FIG. 4

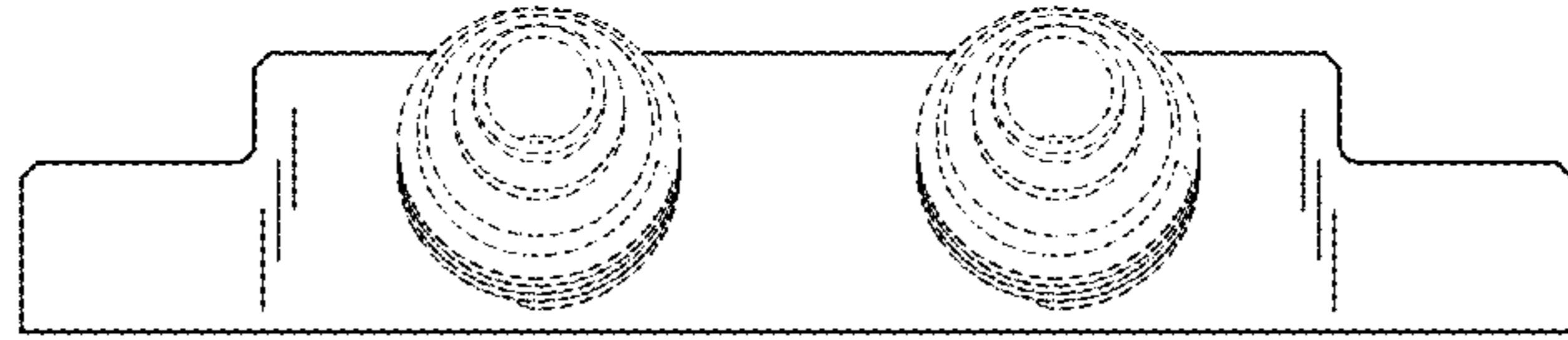


FIG. 5

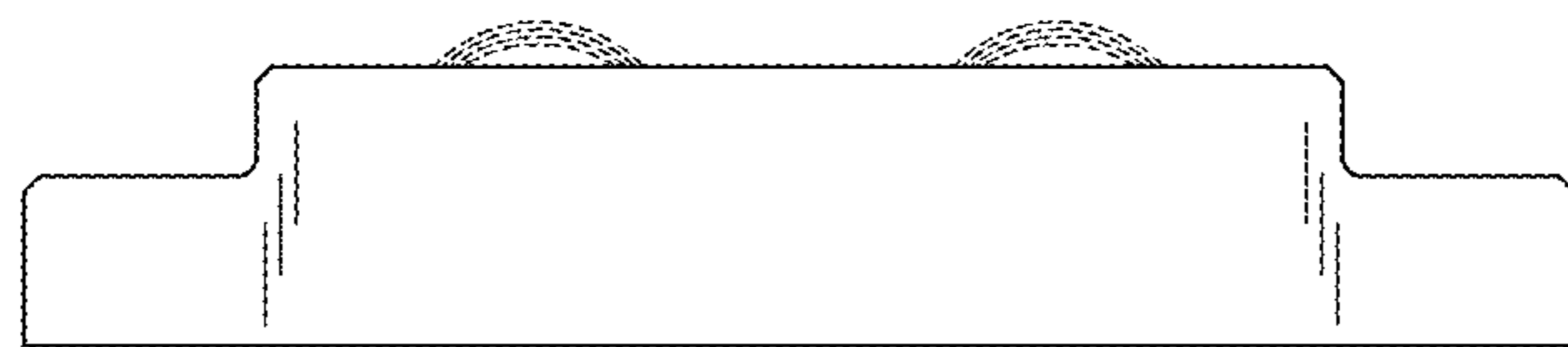


FIG. 6

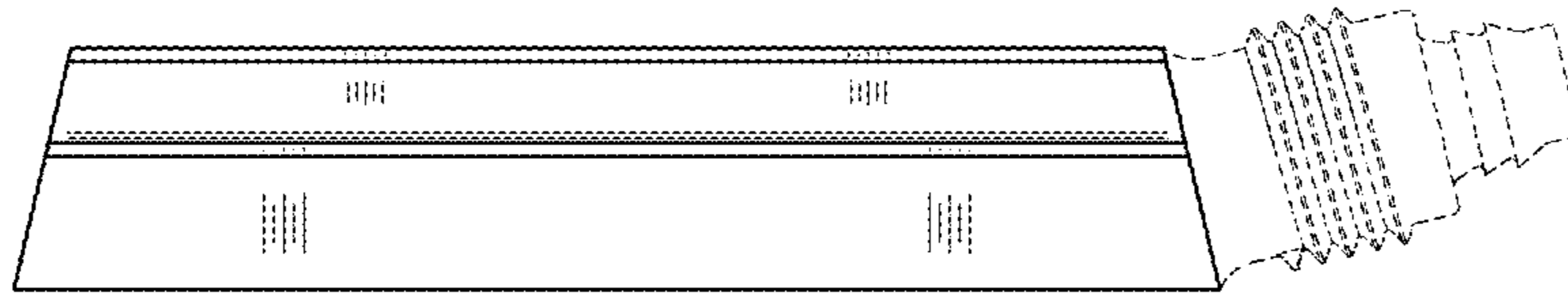


FIG. 7

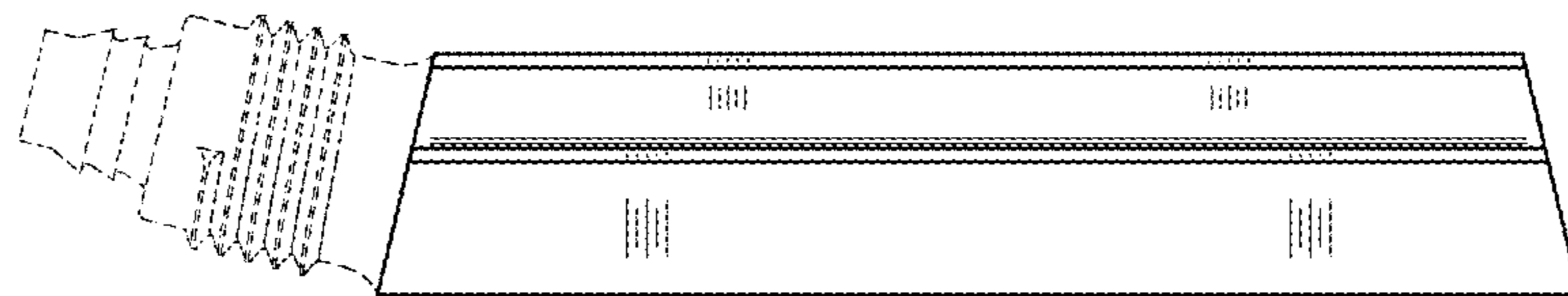


FIG. 8