

US00D774470S

(12) **United States Design Patent** (10) **Patent No.:** **US D774,470 S**  
**Altonen et al.** (45) **Date of Patent:** **\*\* \*Dec. 20, 2016**

(54) **REMOTE CONTROL**

OTHER PUBLICATIONS

(71) Applicant: **Lutron Electronics Co., Inc.**,  
Coopersburg, PA (US)

U.S. Appl. No. 29/535,122, filed Aug. 4, 2015, Altonen et al.

(Continued)

(72) Inventors: **Gregory Altonen**, Easton, PA (US);  
**Erica L. Clymer**, Northampton, PA  
(US); **Elliot G. Jacoby**, Glenside, PA  
(US); **Noel Mayo**, Philadelphia, PA  
(US); **Joel S. Spira**, Coopersburg, PA  
(US)

*Primary Examiner* — Selina Sikder

(74) *Attorney, Agent, or Firm* — Mark E. Rose; Philip N.  
Smith

(73) Assignee: **Lutron Electronics Co., Inc.**,  
Coopersburg, PA (US)

(57) **CLAIM**

We claim the ornamental design for a remote control, as  
shown and described.

(\*) Notice: This patent is subject to a terminal dis-  
claimer.

(\*\*) Term: **15 Years**

(21) Appl. No.: **29/534,805**

(22) Filed: **Jul. 31, 2015**

**DESCRIPTION**

FIG. 1 is a perspective view of a remote control according  
to a first embodiment of our new design.

FIG. 2 is a front view thereof.

FIG. 3 is a left side view thereof.

FIG. 4 is a right side view thereof.

FIG. 5 is a top view thereof.

FIG. 6 is a bottom view thereof.

FIG. 7 is a perspective view of a remote control according  
to a second embodiment of our new design.

FIG. 8 is a front view thereof, the left side, right side, top,  
and bottom views, respectively, of the second embodiment  
being identical to the left side, right side, top, and bottom  
views of the first embodiment.

FIG. 9 is a perspective view of the remote control showing  
an alternate environment of the first embodiment.

FIG. 10 is a front view thereof, all other views being  
identical to the first embodiment.

FIG. 11 is a perspective view of a remote control showing  
an alternate environment of the second embodiment; and,  
FIG. 12 is a front view thereof, all other views being  
identical to the second embodiment.

The rear views form no part of the design and are omitted.  
The broken lines showing portions of the remote control are  
for the purpose of illustrating environmental structure and  
form no part of the claimed design.

**Related U.S. Application Data**

(62) Division of application No. 29/488,242, filed on Apr.  
17, 2014, now Pat. No. Des. 737,223.

(51) **LOC (10) Cl.** ..... **14-03**

(52) **U.S. Cl.**  
USPC ..... **D13/168**

(58) **Field of Classification Search**  
USPC ..... D13/164, 168, 174; D14/218

(Continued)

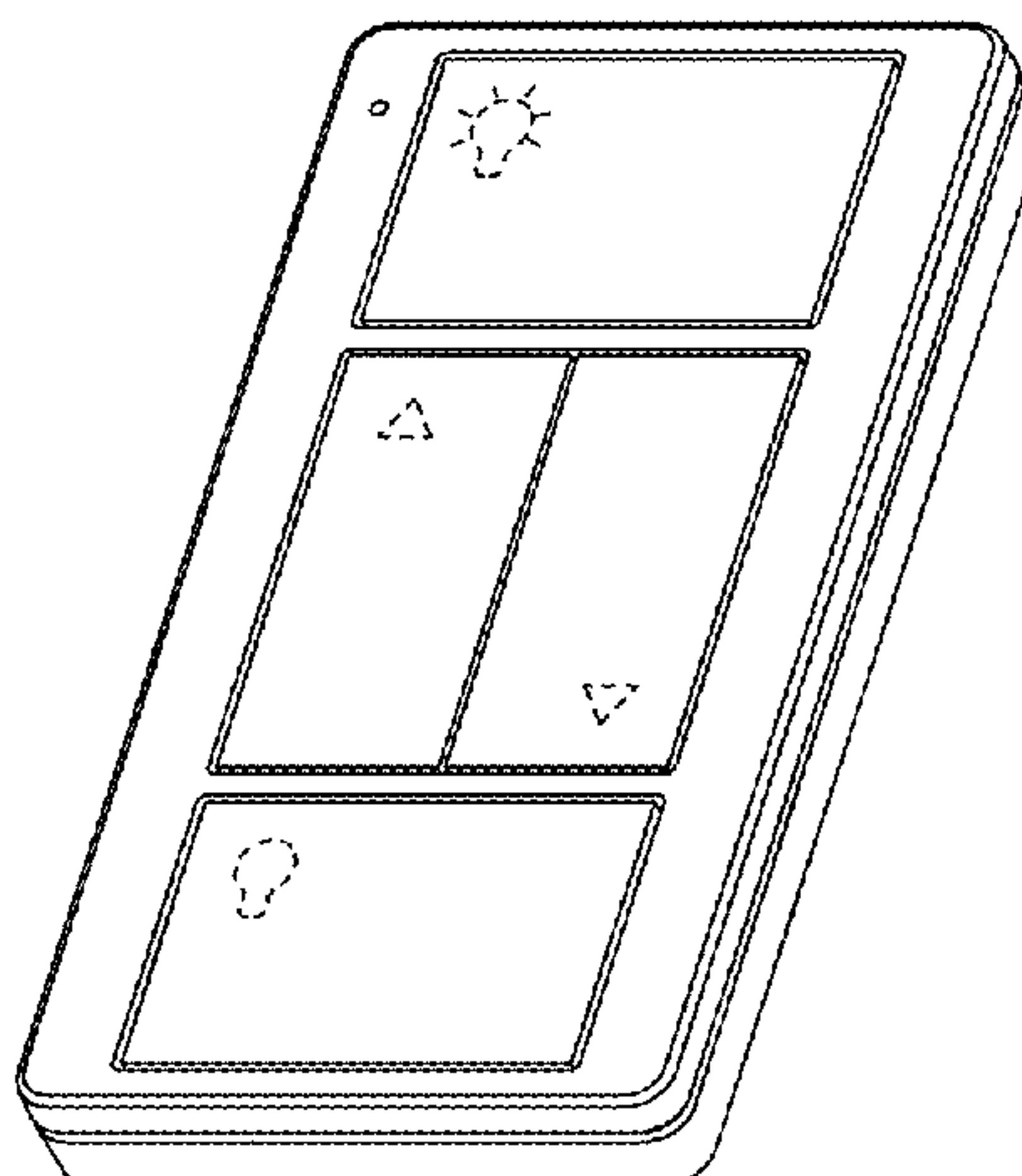
(56) **References Cited**

U.S. PATENT DOCUMENTS

D330,013 S 10/1992 Wunsch  
D348,435 S 7/1994 Farinelli et al.

(Continued)

**1 Claim, 10 Drawing Sheets**



(58) **Field of Classification Search**

CPC ..... H03J 1/0025; H03J 9/00; H03J 9/02;  
 H03J 9/04; H03J 9/06; H01H 9/18; H01H  
 9/0235; H04B 1/202; H05B  
 33/0803; H05B 33/0863; H05B  
 37/02; H05B 37/0272; H05B 39/088;  
 H05B 39/041; G05B 11/01; G05B  
 2219/2642; G08C 17/00; G08C  
 17/02; G08C 19/28; G08C 23/04; G08C  
 2201/20; G08C 2201/30; G08C 2201/33;  
 G08C 2201/40; G08C 2201/91; G08C  
 2201/92

See application file for complete search history.

(56) **References Cited**

U.S. PATENT DOCUMENTS

D407,695	S	4/1999	Hwang	
6,120,262	A	9/2000	McDonough et al.	
D494,489	S	8/2004	Tulloch	
D496,335	S	9/2004	Spira	
D527,711	S	9/2006	Spira et al.	
D528,992	S	9/2006	Hobart et al.	
D546,295	S	7/2007	Marchetto et al.	
7,312,695	B2	12/2007	Lehmer et al.	
D592,606	S *	5/2009	Felegy, Jr.	D13/168
D592,607	S *	5/2009	Felegy, Jr.	D13/168
D592,608	S	5/2009	Felegy et al.	
D592,611	S	5/2009	Altonen et al.	
D596,143	S	7/2009	Felegy et al.	
D604,702	S *	11/2009	Felegy, Jr.	D13/168
D606,030	S	12/2009	Felegy et al.	
D606,500	S	12/2009	Snyder et al.	
D611,431	S *	3/2010	Snyder	D13/168
D611,915	S *	3/2010	Felegy, Jr.	D13/168
D616,835	S *	6/2010	Felegy, Jr.	D13/168
D619,106	S *	7/2010	Felegy, Jr.	D13/168
D624,880	S *	10/2010	Felegy, Jr.	D13/168
D631,854	S *	2/2011	Blair	D13/168
D631,856	S	2/2011	Altonen et al.	
D632,263	S	2/2011	Lin et al.	
D633,874	S	3/2011	Feldstein et al.	
D638,375	S	5/2011	Clymer et al.	
D638,805	S	5/2011	Clymer et al.	
D638,806	S	5/2011	Kim et al.	
D641,718	S	7/2011	Sakai	
D646,232	S *	10/2011	Felegy, Jr.	D13/168
D649,123	S	11/2011	Jacoby et al.	
D649,124	S *	11/2011	Jacoby	D13/168

D661,664	S	6/2012	Felegy et al.	
D687,390	S	8/2013	McDonald et al.	
D692,398	S *	10/2013	Felegy, Jr.	D13/168
D694,198	S *	11/2013	Felegy, Jr.	D13/168
D703,623	S	4/2014	Altonen et al.	
D704,152	S *	5/2014	Altonen	D13/168
D704,153	S	5/2014	Altonen et al.	
D711,838	S	8/2014	Spira	
D713,360	S *	9/2014	Spira	D13/168
D713,361	S	9/2014	Spira	
D722,982	S	2/2015	Lind et al.	
D733,668	S	7/2015	Altonen et al.	
D736,718	S	8/2015	Spira	
D737,222	S	8/2015	Altonen et al.	
D737,223	S *	8/2015	Altonen	D13/168
D737,224	S	8/2015	Spira	
D738,320	S	9/2015	Altonen et al.	
D738,321	S *	9/2015	Spira	D13/168
D738,328	S	9/2015	Altonen et al.	
D739,830	S *	9/2015	Spira	D13/168
9,135,812	B1 *	9/2015	Carley	H01R 33/94
2005/0231134	A1 *	10/2005	Sid	H05B 37/0272 315/294
2008/0111491	A1 *	5/2008	Spira	H05B 39/088 315/158
2009/0251352	A1 *	10/2009	Altonen	H01H 9/025 341/176
2011/0266122	A1	11/2011	Zaharchuk et al.	
2011/0279300	A1	11/2011	Mosebrook	
2012/0013450	A1	1/2012	Lee et al.	

OTHER PUBLICATIONS

U.S. Appl. No. 29/535,125, filed Aug. 4, 2015, Altonen et al.  
 U.S. Appl. No. 29/535,100, filed Aug. 4, 2015, Altonen et al.  
 U.S. Appl. No. 29/534,802, filed Jul. 31, 2015, Altonen et al.  
 U.S. Appl. No. 29/534,801, filed Jul. 31, 2015, Altonen et al.  
 U.S. Appl. No. 29/533,925, filed Jul. 23, 2015, Altonen et al.  
 U.S. Appl. No. 29/533,927, filed Jul. 23, 2015, Altonen et al.  
 U.S. Appl. No. 29/533,935, filed Jul. 23, 2015, Altonen et al.  
 U.S. Appl. No. 29/531,853, filed Jun. 30, 2015, Altonen et al.  
 U.S. Appl. No. 29/531,858, filed Jun. 30, 2015, Altonen et al.  
 U.S. Appl. No. 29/531,864, filed Jun. 30, 2015, Altonen et al.  
 U.S. Appl. No. 29/536,541, filed Aug. 18, 2015, Joel S. Spira.  
 U.S. Appl. No. 29/534,799, filed Jul. 31, 2015, Joel S. Spira.  
 U.S. Appl. No. 29/531,871, filed Jun. 30, 2015, Joel S. Spira.  
 U.S. Appl. No. 29/537,592, filed Aug. 27, 2015, Joel S. Spira.

\* cited by examiner

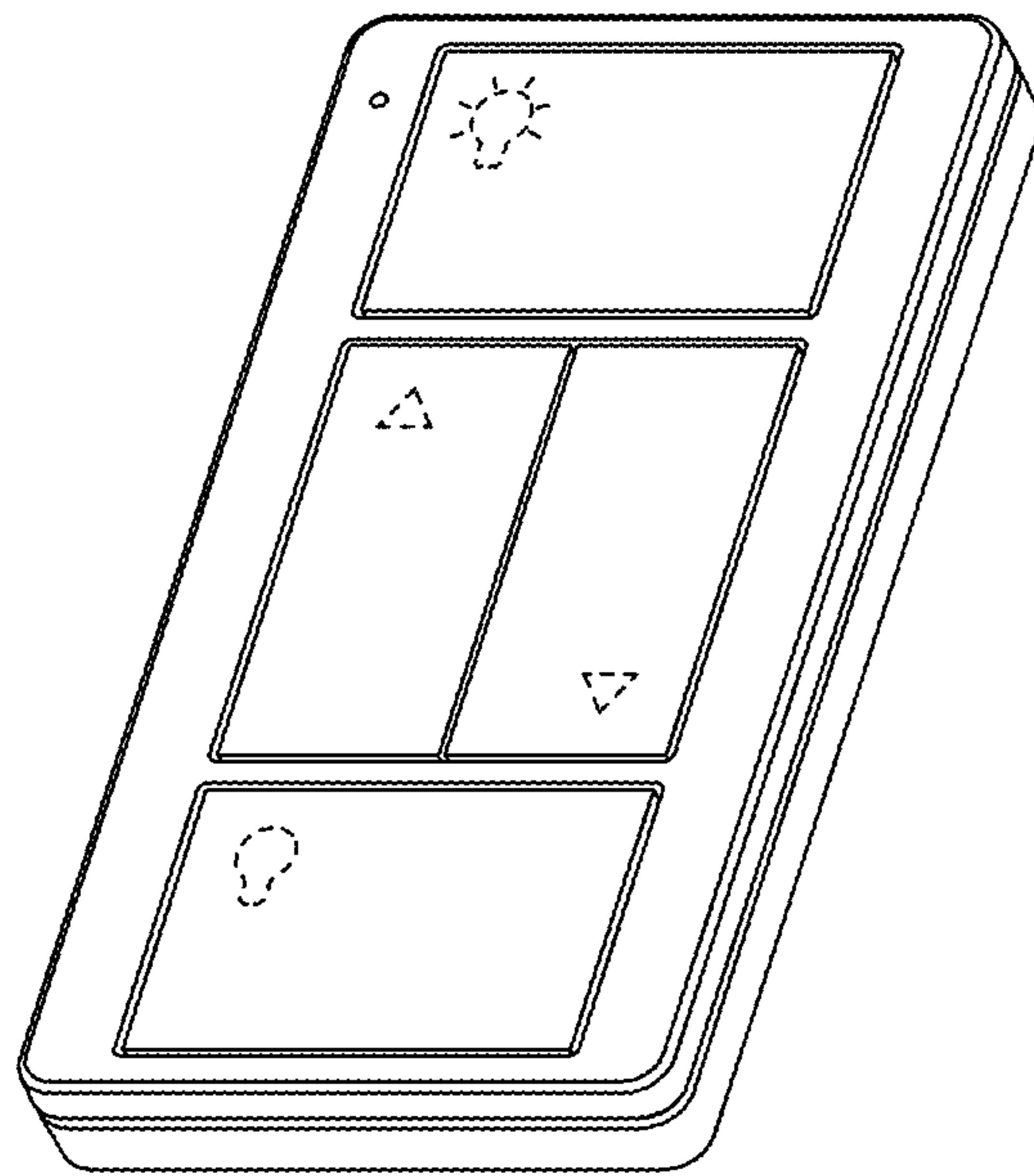


Fig. 1

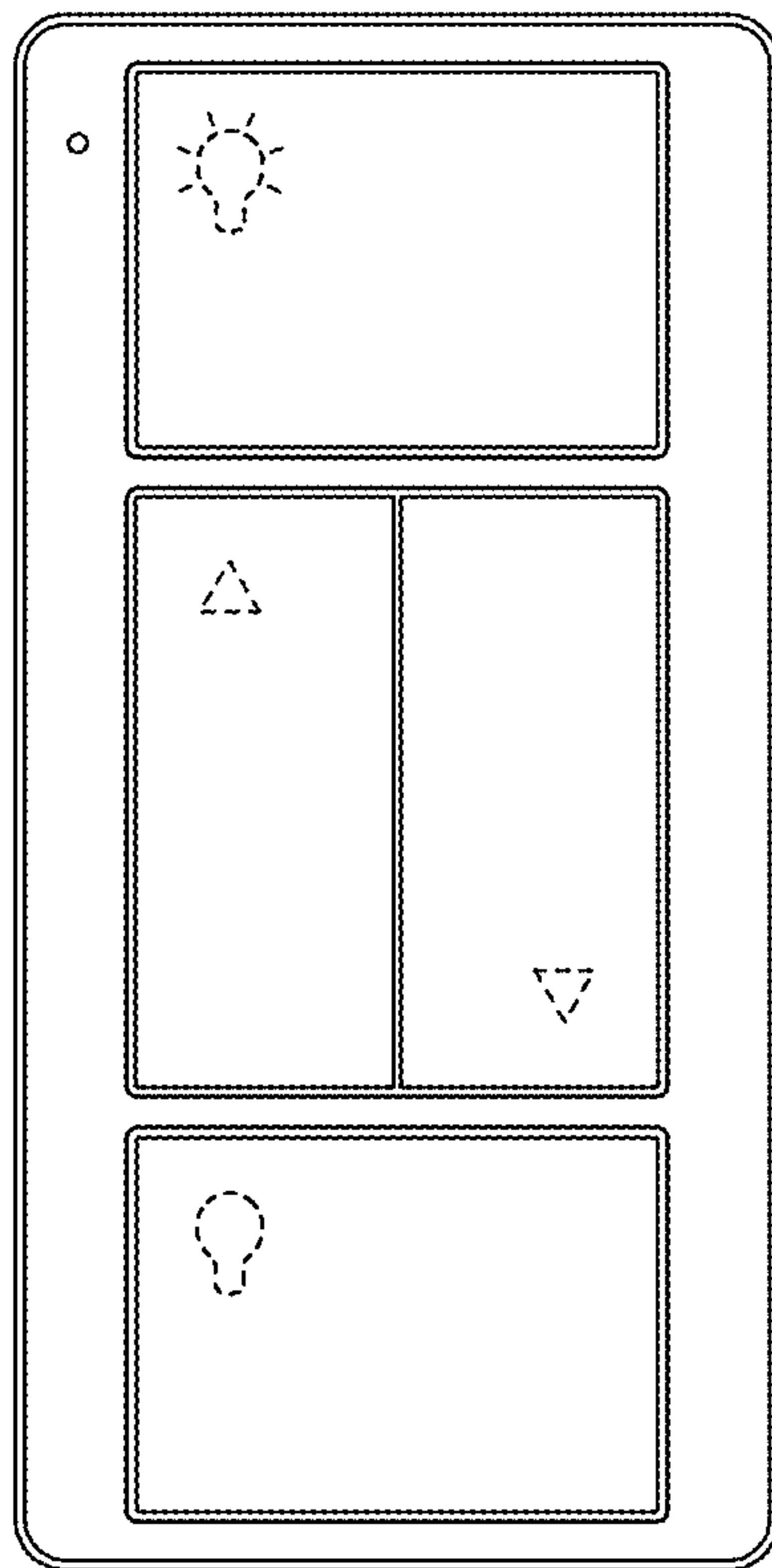


Fig. 2



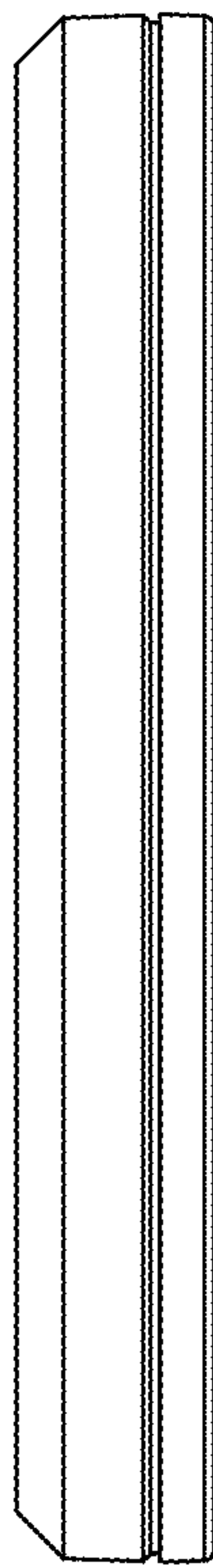


Fig. 3

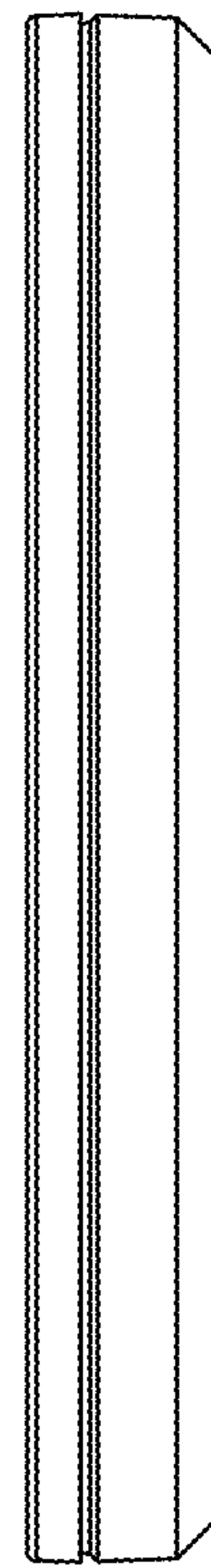


Fig. 4

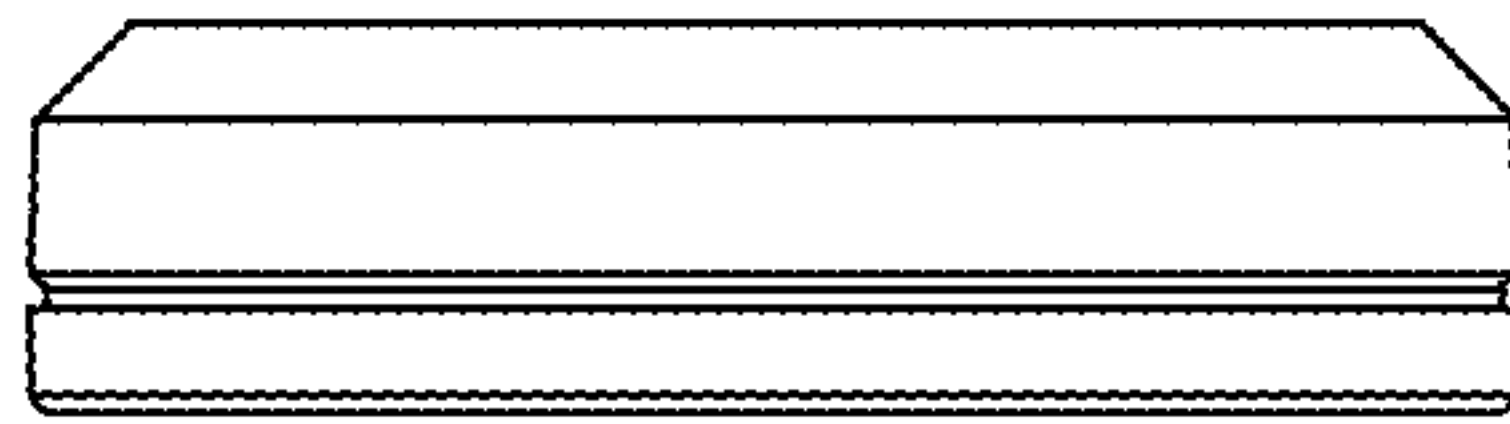


Fig. 5

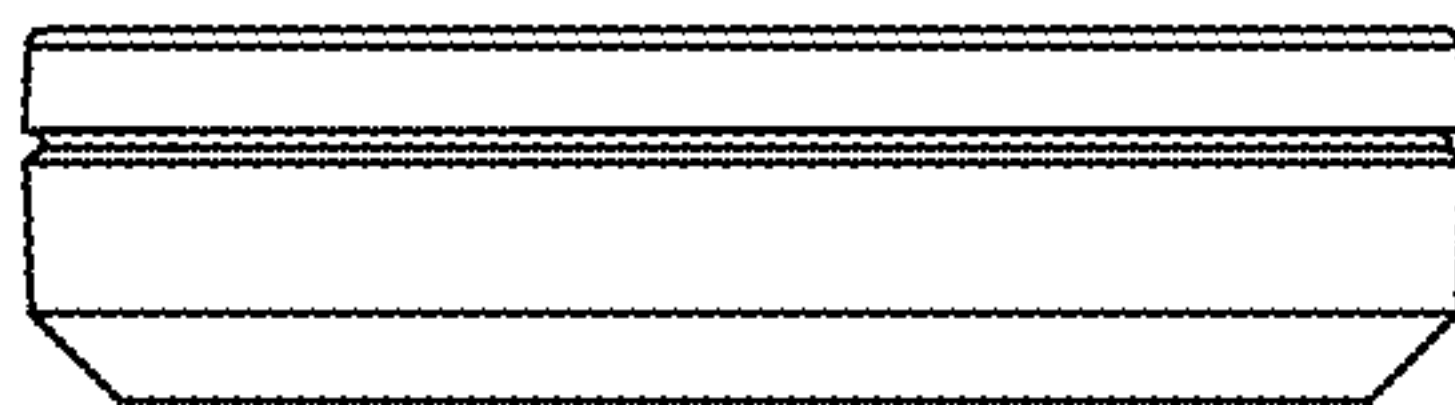


Fig. 6

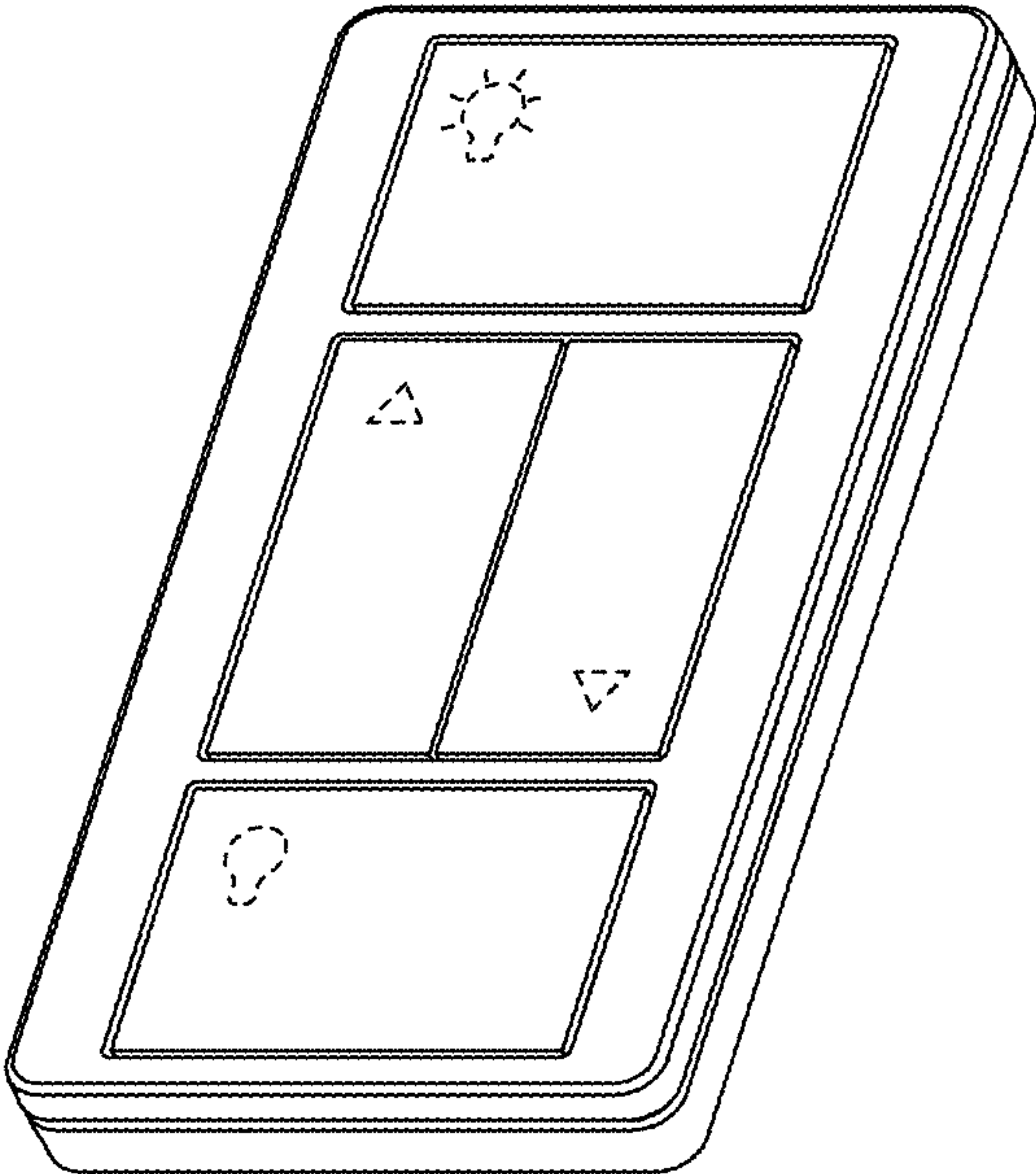


Fig. 7

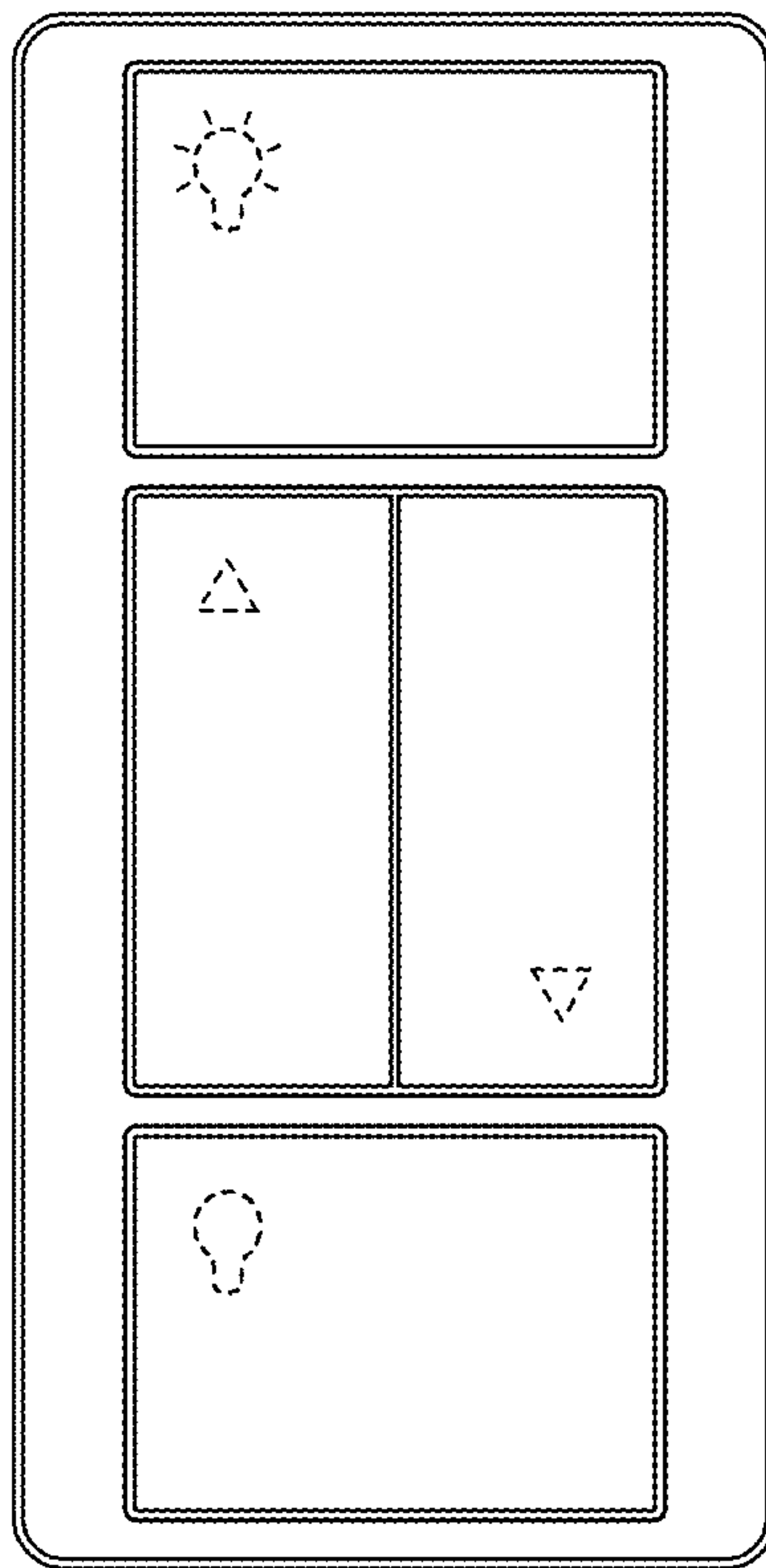


Fig. 8



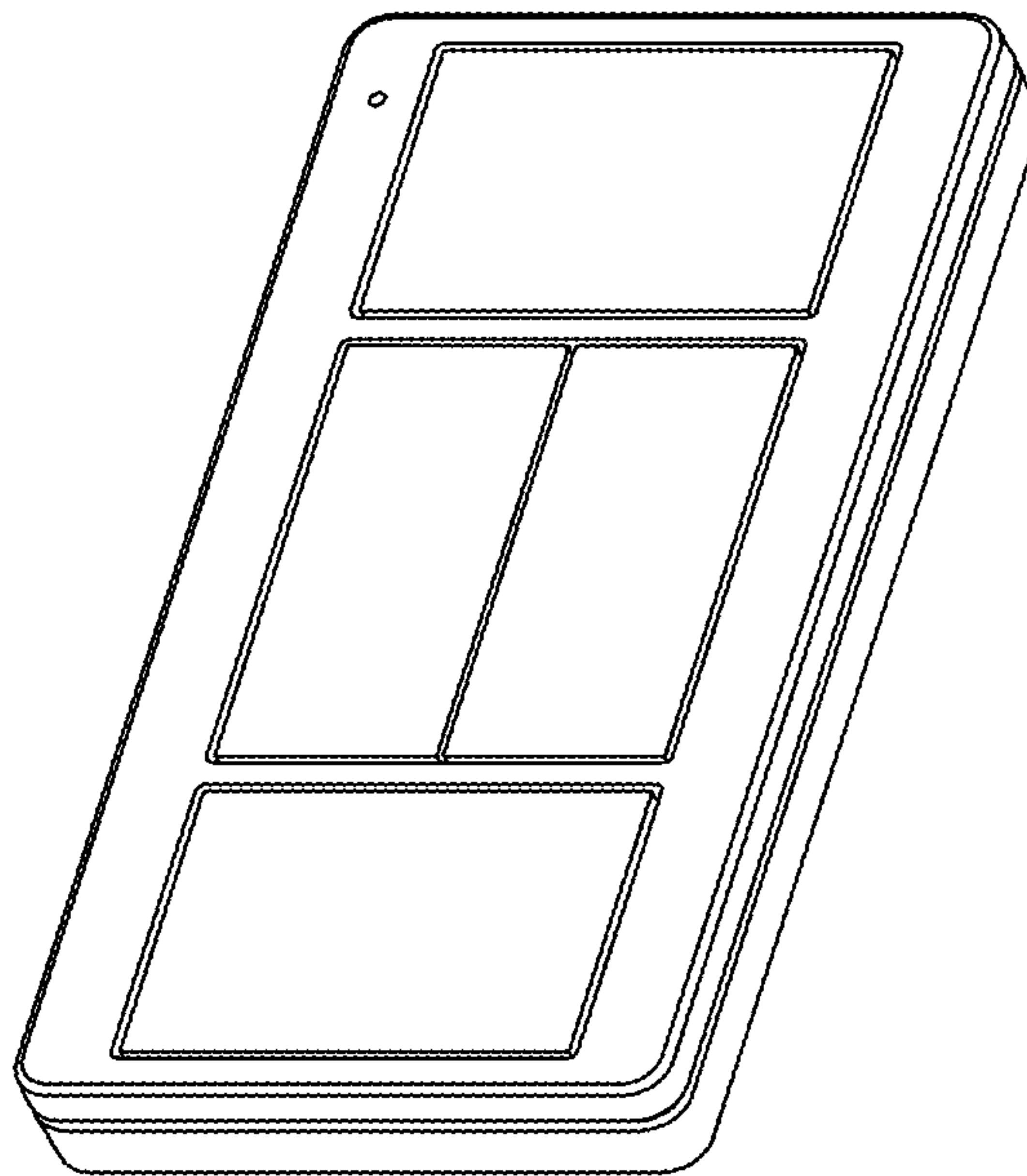


Fig. 9

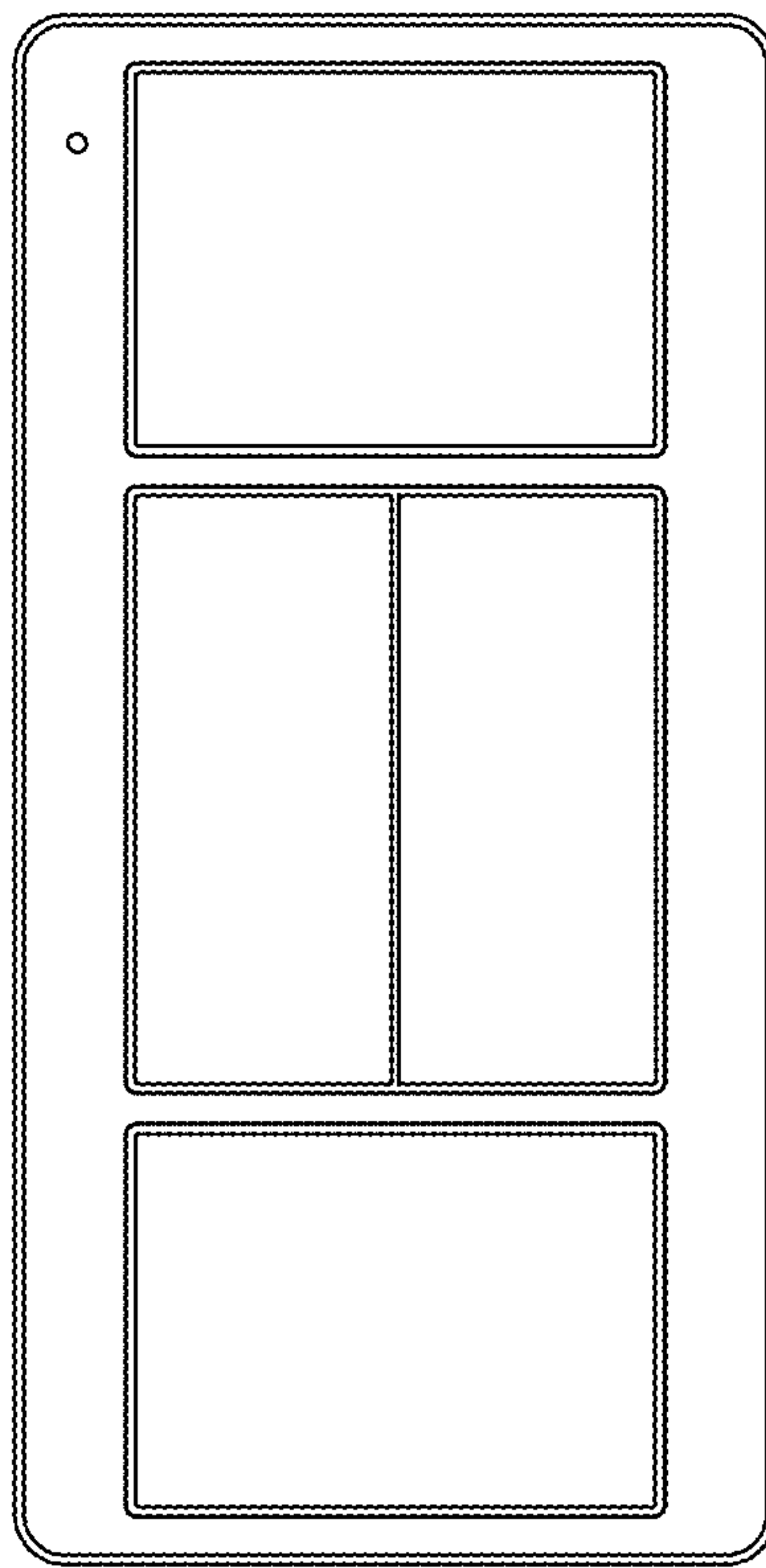


Fig. 10

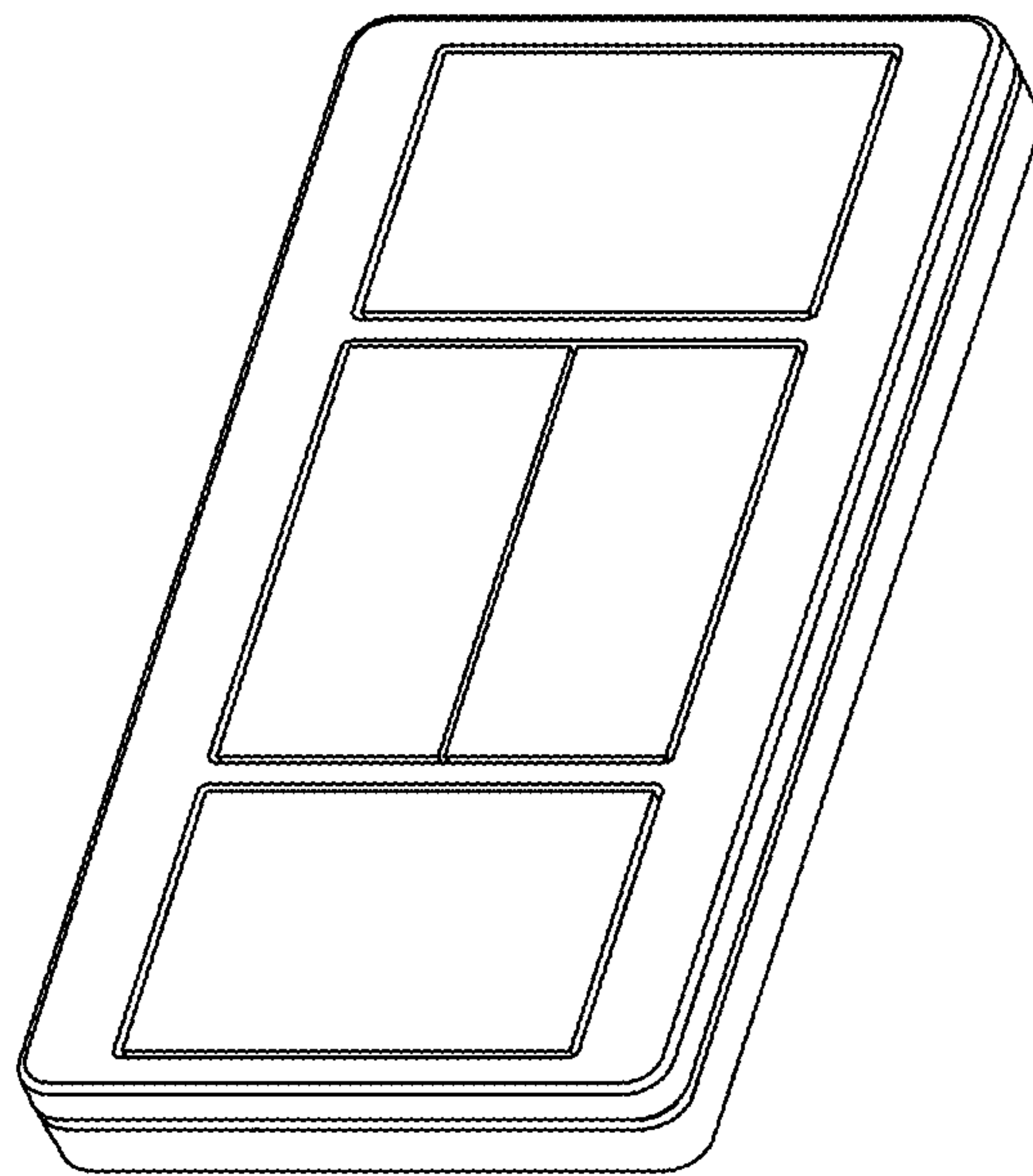


Fig. 11

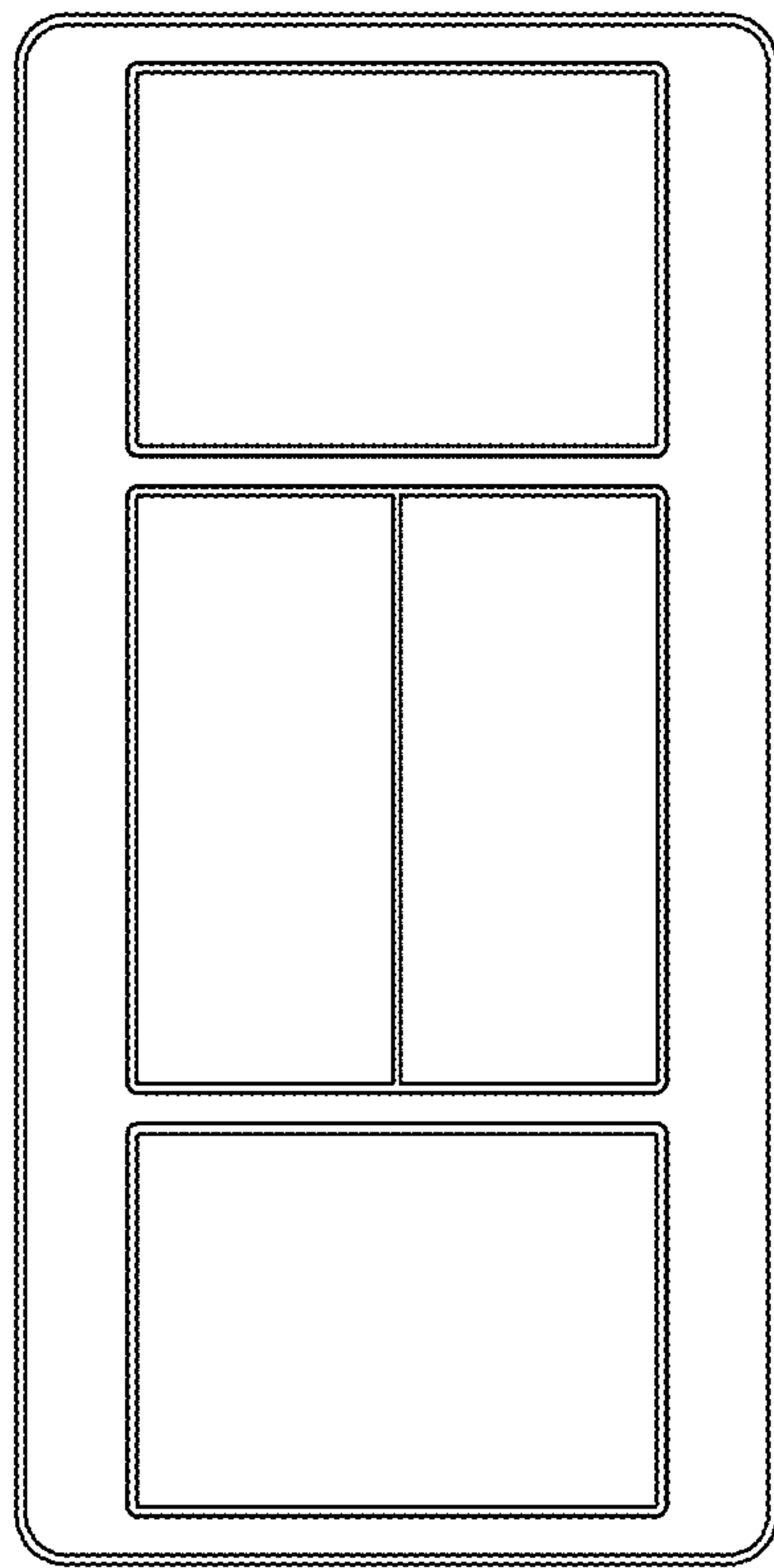


Fig. 12