



US00D774468S

(12) **United States Design Patent** (10) **Patent No.:** **US D774,468 S**
Ewing (45) **Date of Patent:** **** Dec. 20, 2016**

- (54) **RETAIL DISPLAY CABLE**
- (71) Applicant: **Brent Ewing**, Roscoe, IL (US)
- (72) Inventor: **Brent Ewing**, Roscoe, IL (US)
- (73) Assignee: **Southern Imperial, Inc.**, Rockford, IL (US)
- (**) Term: **15 Years**
- (21) Appl. No.: **29/534,488**
- (22) Filed: **Jul. 29, 2015**
- (51) **LOC (10) Cl.** **13-03**
- (52) **U.S. Cl.**
USPC **D13/153**
- (58) **Field of Classification Search**
USPC D13/118, 123, 133, 146-150, 153-157,
D13/173, 184, 199; D8/349, 354, 35, 382
CPC A47F 1/04; A47F 5/00; A47F 5/08;
A47F 7/00; G09F 3/06; G09F 3/18; H02J
7/00; H02J 7/02
See application file for complete search history.

D679,657 S *	4/2013	Richards	D13/147
D679,658 S *	4/2013	Richards	D13/147
D705,178 S *	5/2014	Olsson	D13/153
8,749,194 B1 *	6/2014	Kelsch	H02J 5/005 320/108

* cited by examiner

Primary Examiner — Thomas Johannes
Assistant Examiner — Shawn T Gingrich
(74) *Attorney, Agent, or Firm* — Reinhart Boerner Van Deuren P.C.

(57) **CLAIM**

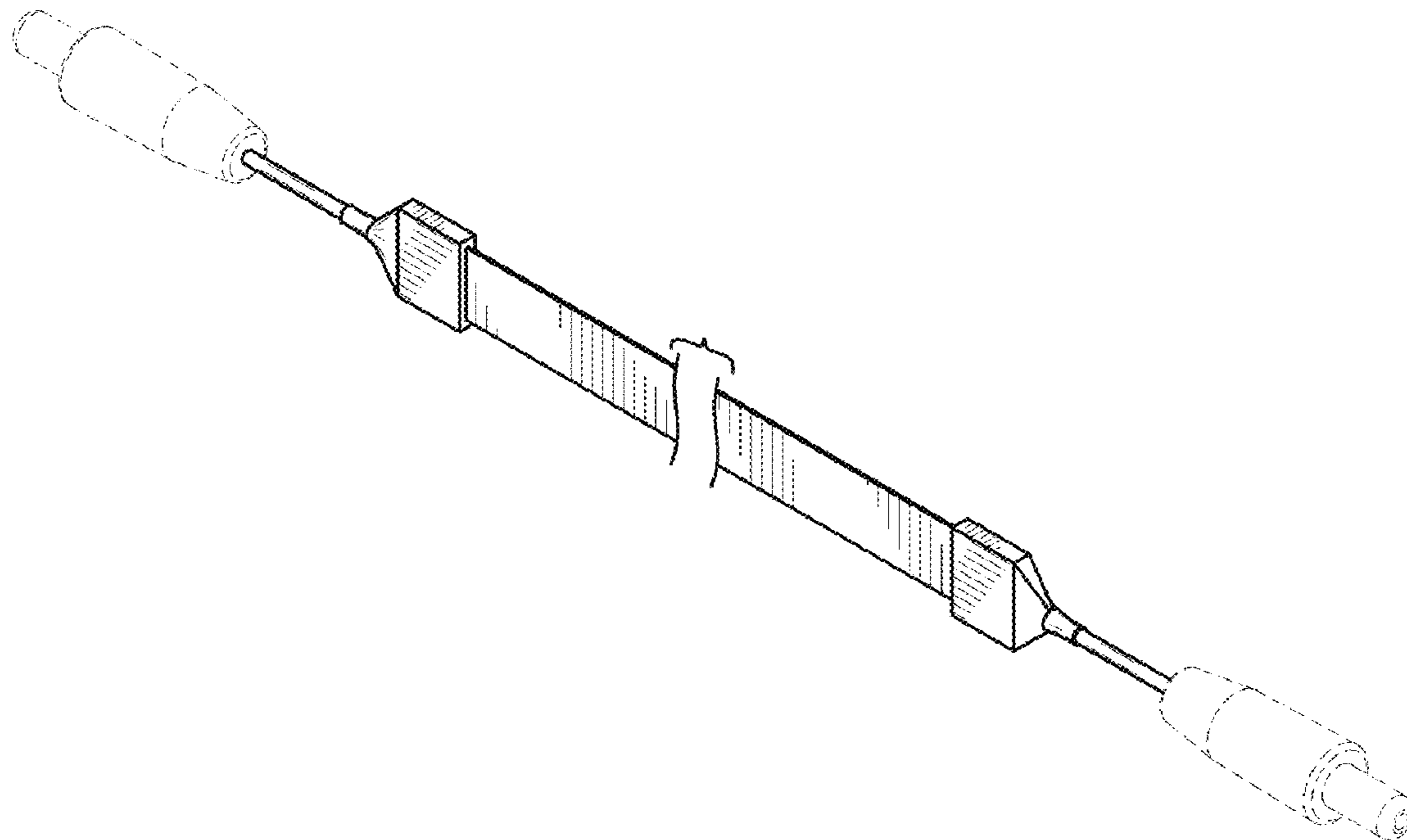
I claim the ornamental design for the retail display cable, as shown and described.

DESCRIPTION

FIG. 1 is a perspective view of the retail display cable; FIG. 2 is another perspective view thereof; FIG. 3 is a side view thereof; FIG. 4 is another side view thereof, showing the side opposite that shown in FIG. 3; FIG. 5 is a top view thereof; FIG. 6 is a front view thereof; FIG. 7 is a bottom view thereof; and, FIG. 8 is a back view thereof. The retail display cable is shown with a symbolic break in its length, represented by a break line. The appearance of any portion of the article between the break lines forms no part of the claimed design.

1 Claim, 2 Drawing Sheets

- (56) **References Cited**
U.S. PATENT DOCUMENTS
3,945,706 A * 3/1976 Steiner G09F 3/06
439/491
D271,302 S * 11/1983 Manning D13/168
D385,531 S * 10/1997 Hermes D13/173



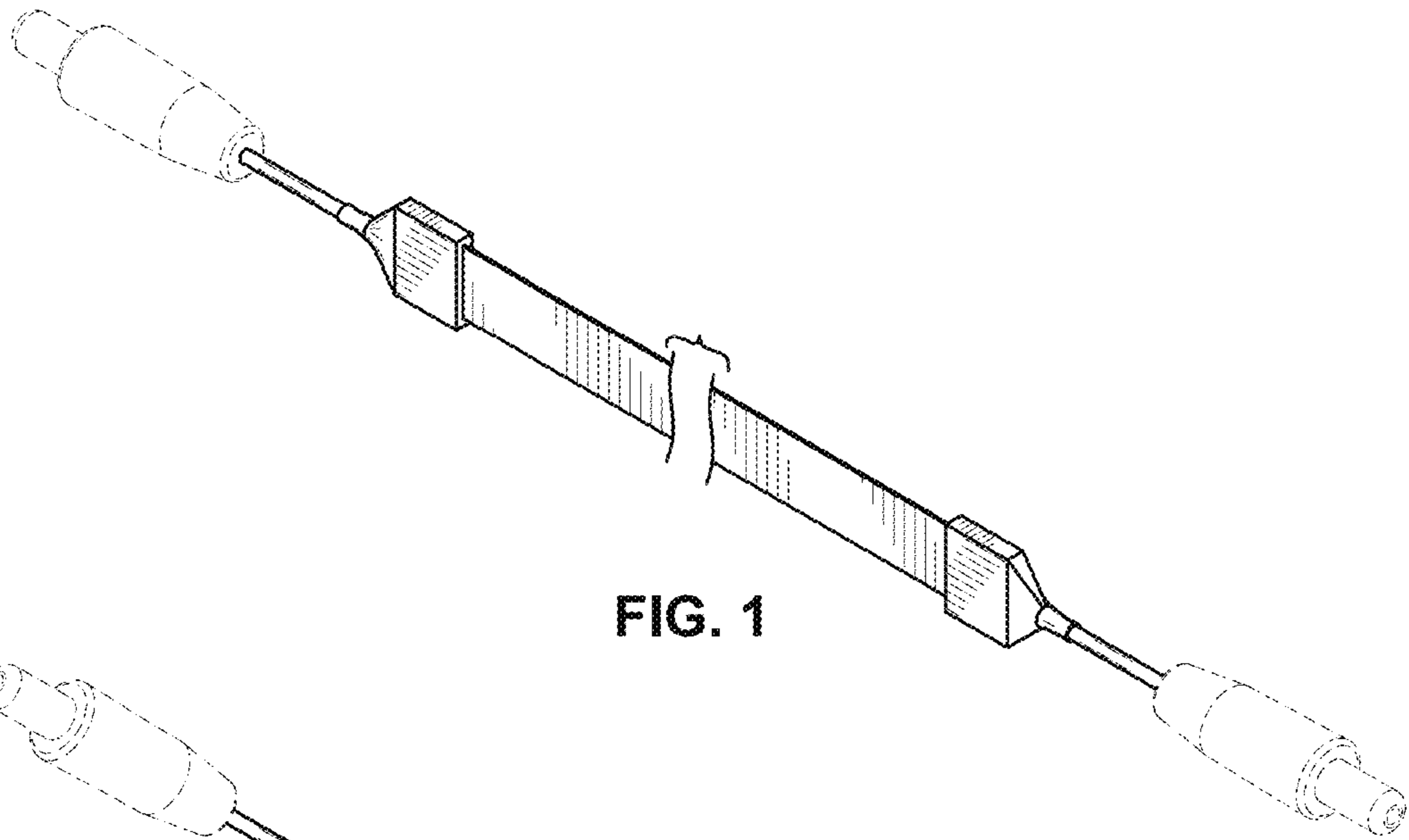


FIG. 1

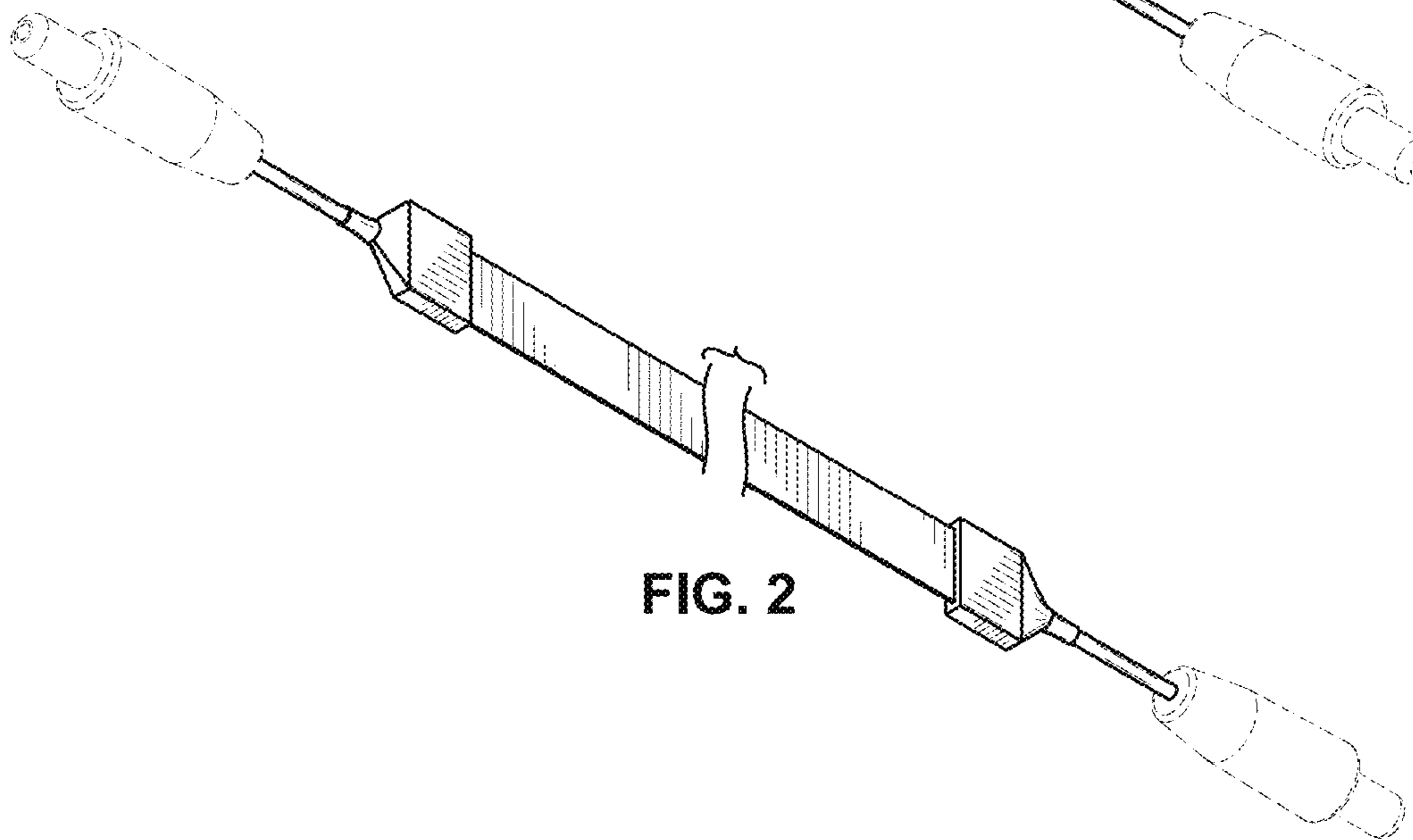


FIG. 2

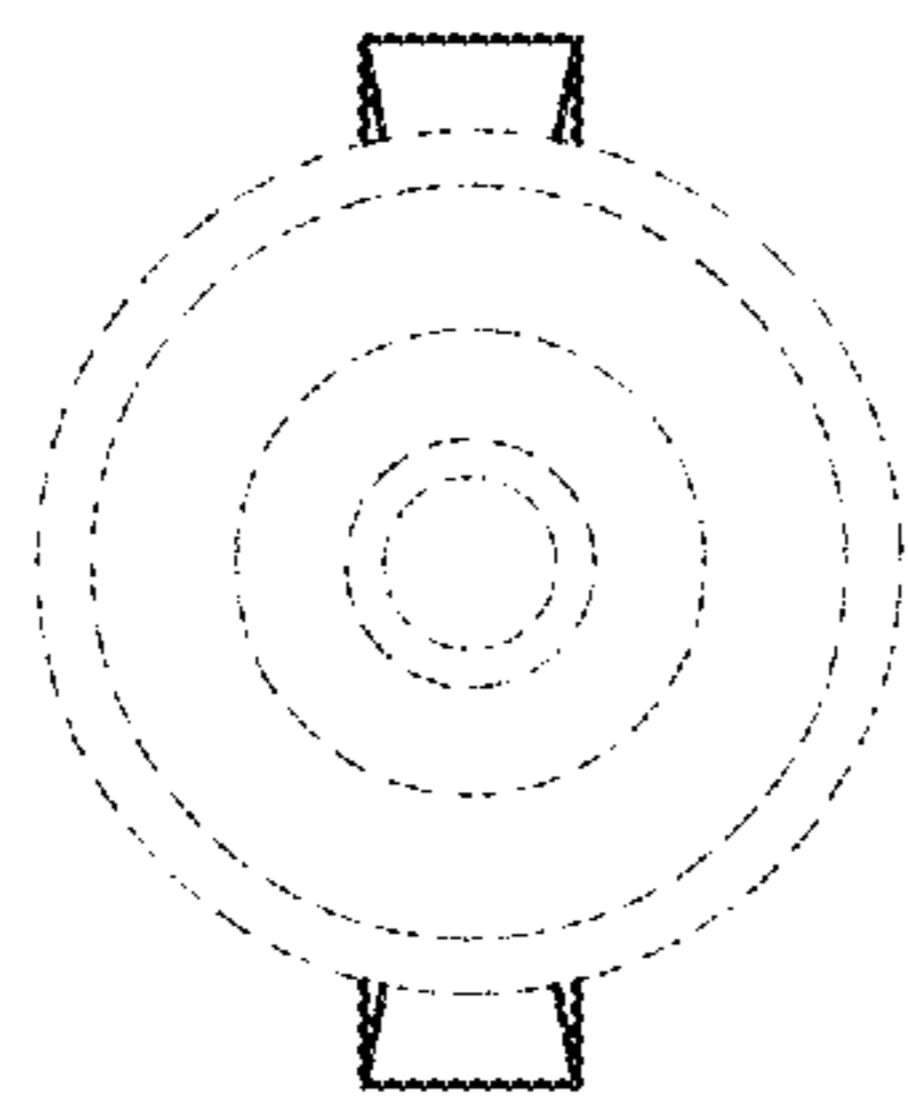


FIG. 3

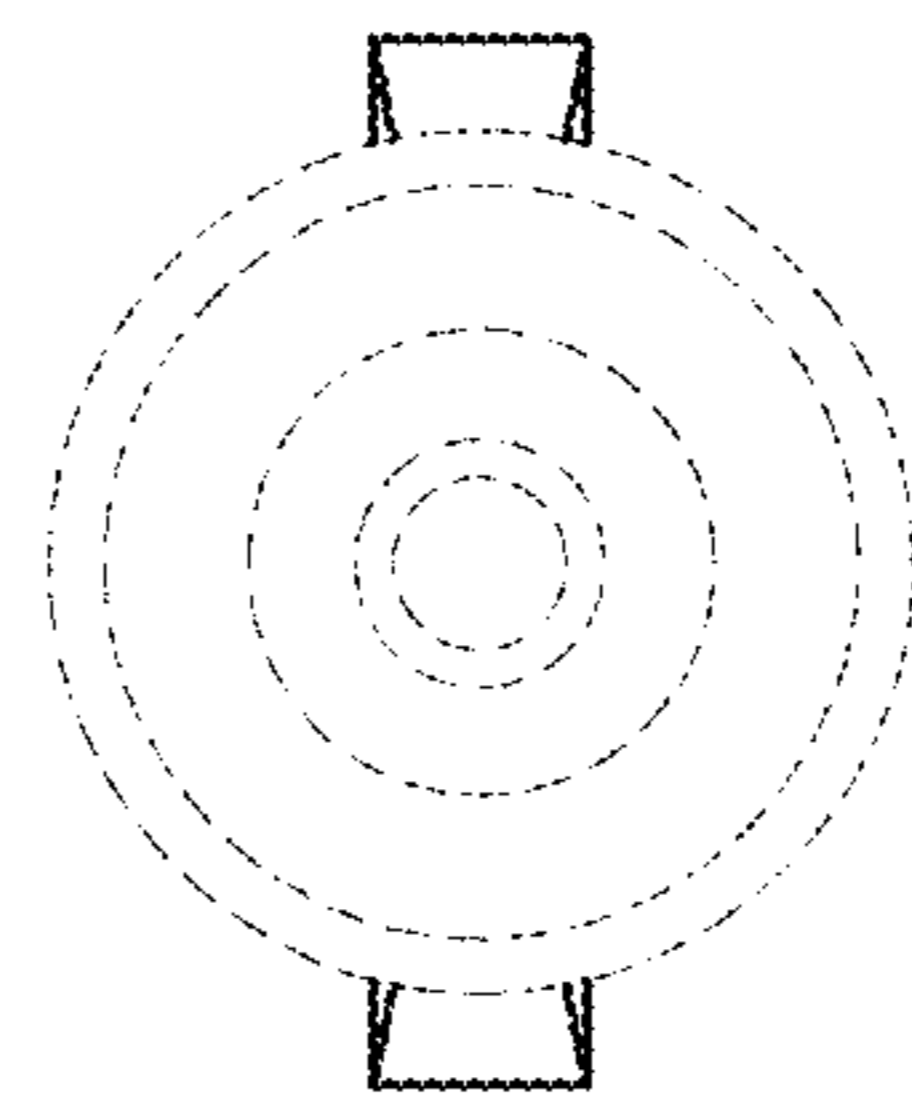


FIG. 4

