



US00D774466S

(12) **United States Design Patent** (10) **Patent No.:** **US D774,466 S**  
**Corona** (45) **Date of Patent:** **\*\* Dec. 20, 2016**

(54) **FEMALE ELECTRICAL CONNECTOR**  
(71) Applicant: **DSM&T Company, Inc.**, Fontana, CA (US)  
(72) Inventor: **Sergio Corona**, Upland, CA (US)  
(73) Assignee: **DSM&T Company, Inc.**, Fontana, CA (US)

D437,828 S 2/2001 Corona  
D439,221 S 3/2001 Corona  
D445,763 S 7/2001 Corona  
D446,186 S 8/2001 Corona  
6,379,169 B1 4/2002 Corona  
6,383,003 B1 5/2002 Corona  
D524,737 S \* 7/2006 Lai ..... D13/133  
D535,618 S \* 1/2007 Hu ..... D13/133  
7,390,210 B2 6/2008 Corona  
D577,671 S \* 9/2008 Schnitzler ..... D13/133  
7,722,397 B2 \* 5/2010 Schleith ..... H01R 13/42  
439/595

(\*\*) Term: **15 Years**  
(21) Appl. No.: **29/554,991**

7,785,123 B2 8/2010 Corona  
D677,629 S 3/2013 Corona  
D678,200 S 3/2013 Corona  
D678,201 S 3/2013 Corona  
D678,202 S 3/2013 Corona  
D678,203 S 3/2013 Corona

(22) Filed: **Feb. 17, 2016**  
(51) **LOC (10) Cl.** ..... **13-03**  
(52) **U.S. Cl.**  
USPC ..... **D13/147**

(Continued)

(58) **Field of Classification Search**  
USPC ..... D13/118, 120, 123, 133, 146, 147, 149,  
D13/154, 156, 173, 184, 199  
CPC ..... H01R 4/48; H01R 4/24; H01R 4/50;  
H01R 9/00; H01R 9/03; H01R  
9/05; H01R 9/22; H01R 12/00; H01R  
13/24; H01R 13/28; H01R 13/52; H01R  
13/64; H01R 24/00; H01R 33/00; H01R  
43/00; H01R 13/00; H01R 13/40; H01B  
1/026; H01B 5/00; H01B 7/00; A61N  
1/056; B29C 45/14  
See application file for complete search history.

*Primary Examiner* — Thomas Johannes  
*Assistant Examiner* — Shawn T Gingrich  
(74) *Attorney, Agent, or Firm* — Keusey & Associates,  
P.C.

(57) **CLAIM**

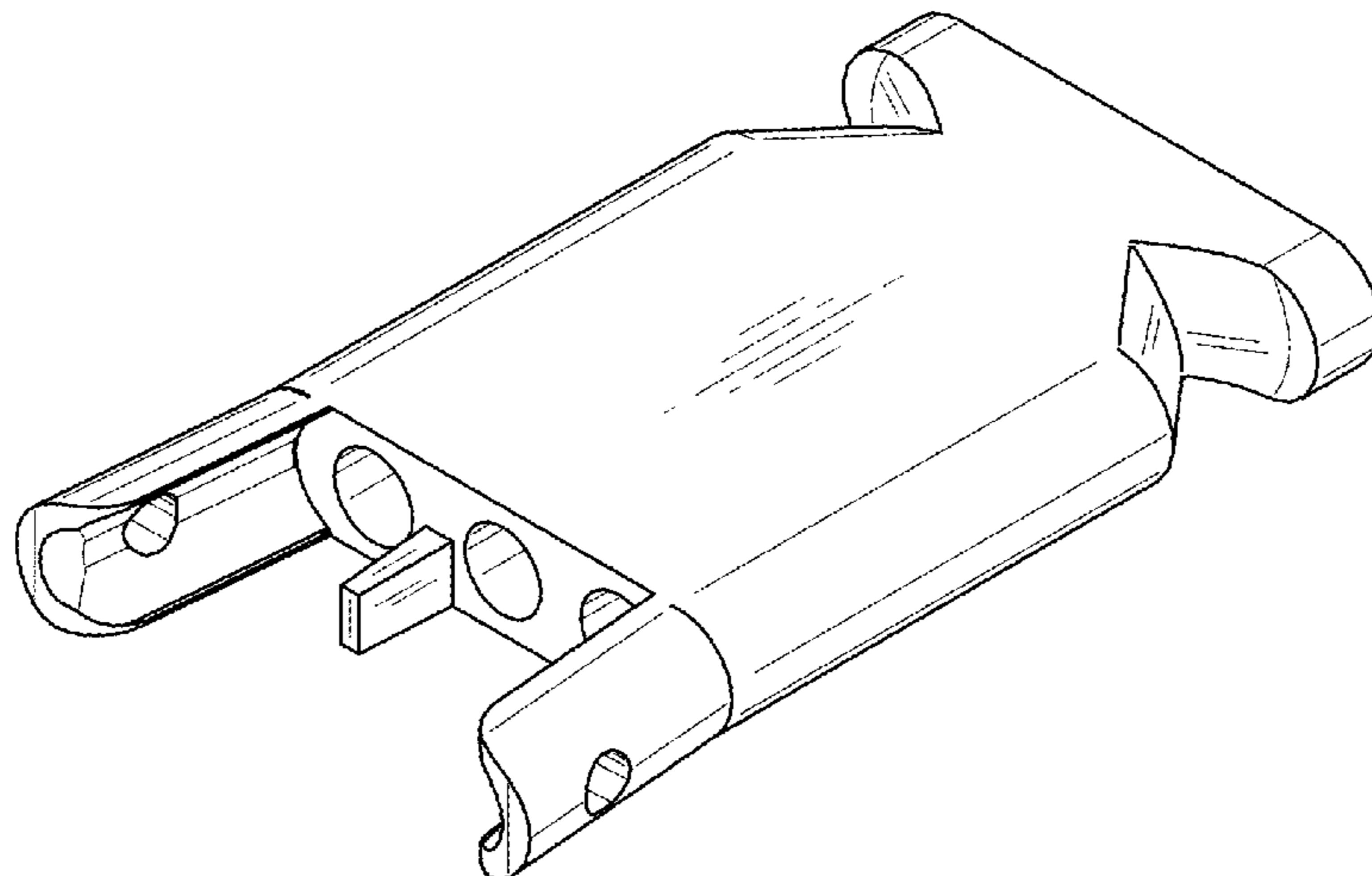
The ornamental design for a female electrical connector, as shown and described.

**DESCRIPTION**

FIG. 1 is a top, front, right side perspective view of my new design of a female electrical connector.  
FIG. 2 is a right side elevational view thereof.  
FIG. 3 is a left side elevational view thereof.  
FIG. 4 is a top plan view thereof.  
FIG. 5 is a bottom plan view thereof.  
FIG. 6 is a front side elevational view thereof; and,  
FIG. 7 is a rear side elevational view thereof.  
The broken lines in FIGS. 6 and 7 are included to show environmental structure and form no part of the claimed design.

(56) **References Cited**  
U.S. PATENT DOCUMENTS  
4,606,596 A \* 8/1986 Whiting ..... H01R 13/58  
439/465  
4,704,091 A \* 11/1987 Owens ..... H01R 13/465  
439/281  
5,401,181 A 3/1995 Wilson  
D360,871 S 8/1995 Wilson  
D360,872 S 8/1995 Wilson  
D425,028 S \* 5/2000 Lee ..... D13/147

**1 Claim, 2 Drawing Sheets**



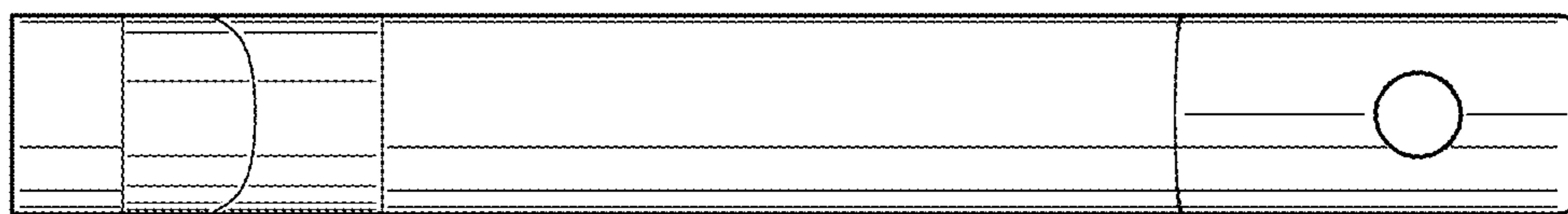
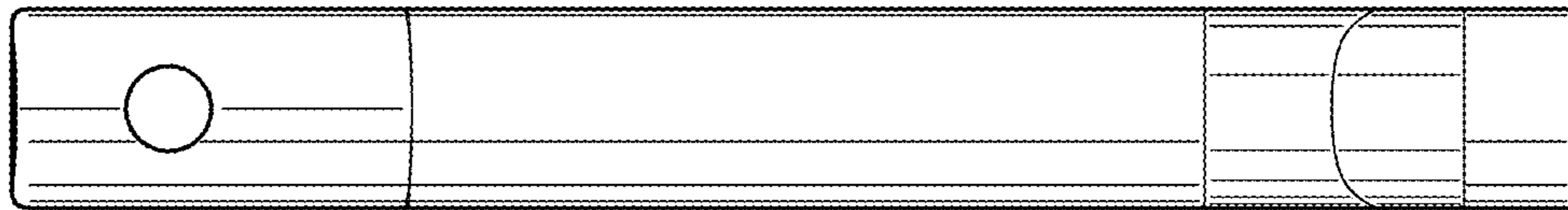
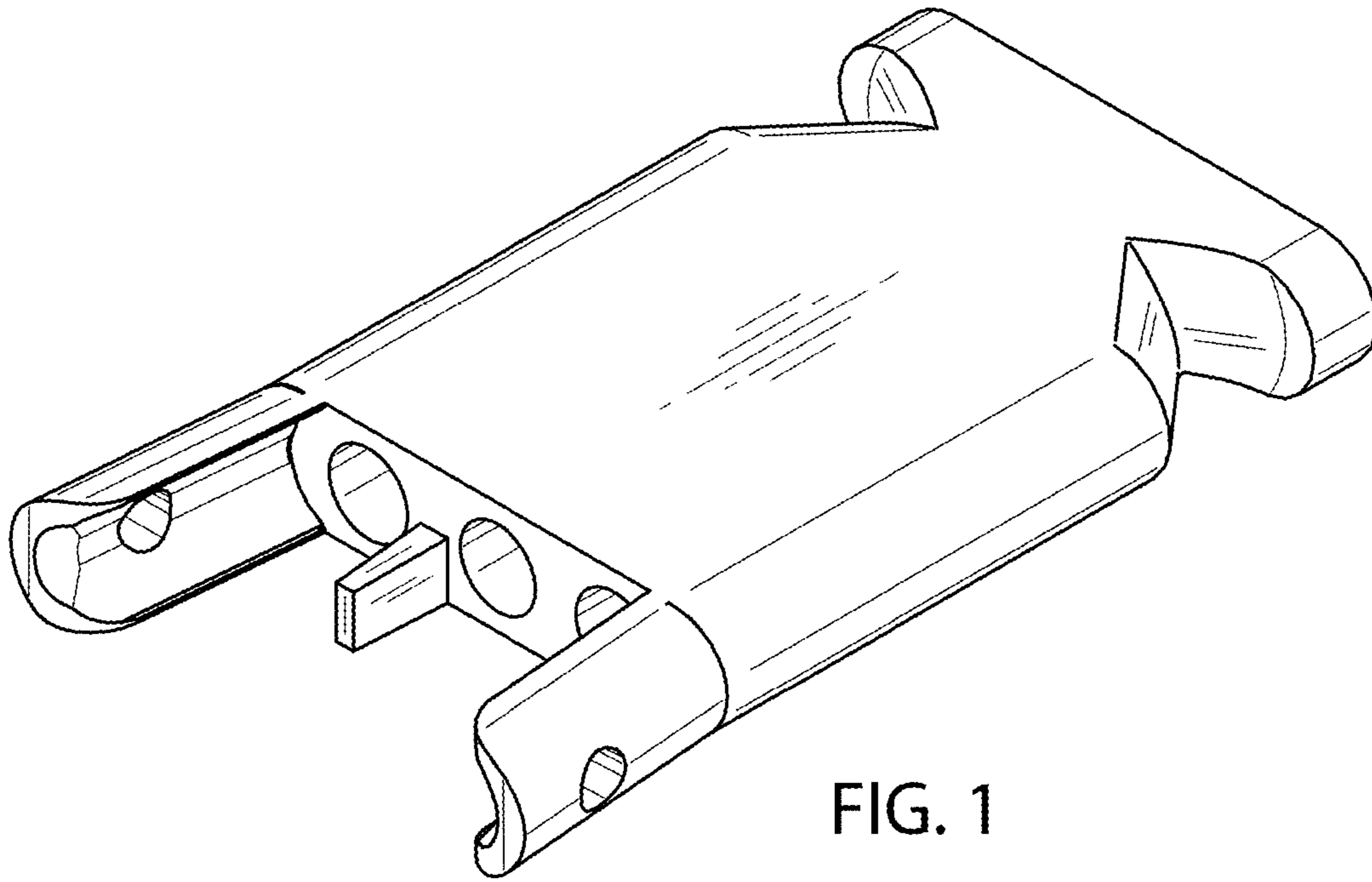
(56)

**References Cited**

U.S. PATENT DOCUMENTS

D678,204 S	3/2013	Corona	
D704,645 S *	5/2014	Nomura	..... D13/147
D729,169 S	5/2015	Corona	
D748,058 S	1/2016	Corona	
D753,065 S	4/2016	Corona	
D753,600 S *	4/2016	Svelnis	..... D13/146
2008/0108243 A1 *	5/2008	Corona	..... B29C 45/14065 439/352
2015/0126075 A1 *	5/2015	Chen	..... H01R 13/642 439/678

\* cited by examiner



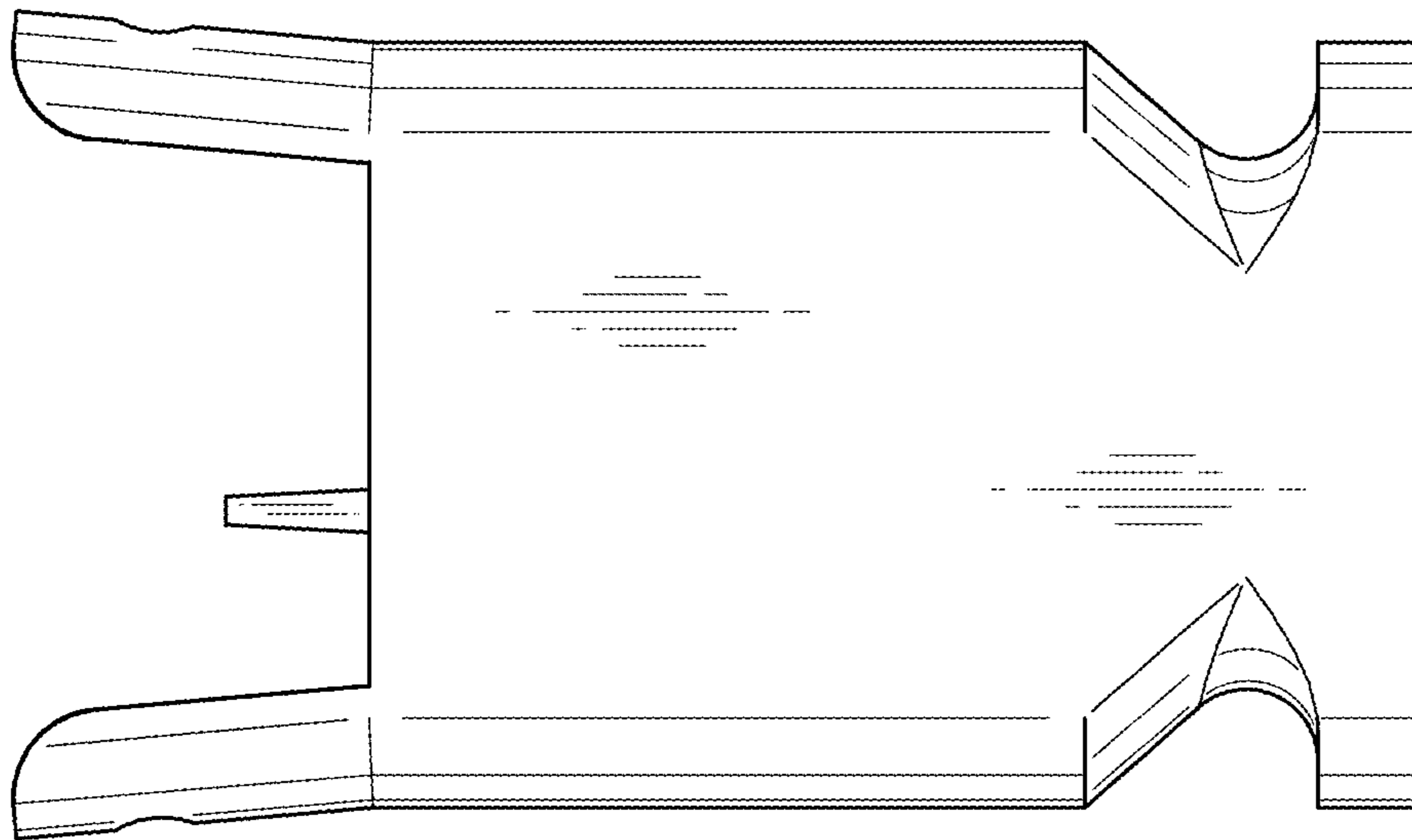


FIG. 4

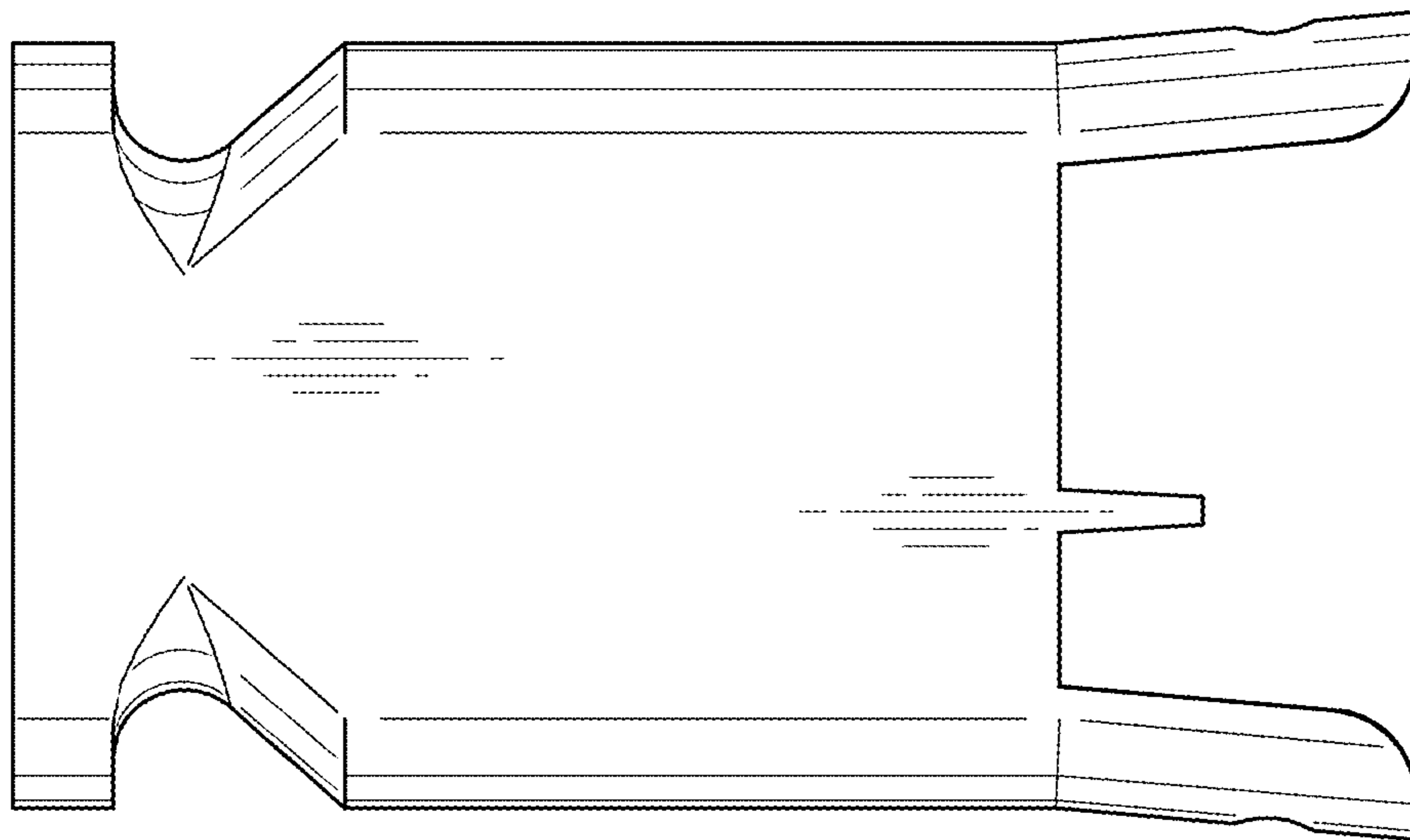


FIG. 5

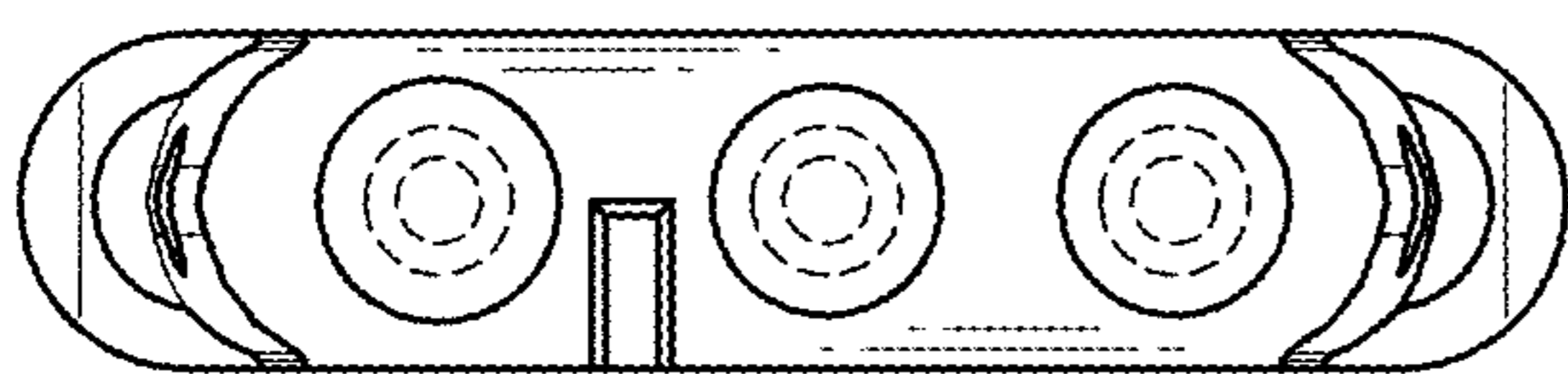


FIG. 6

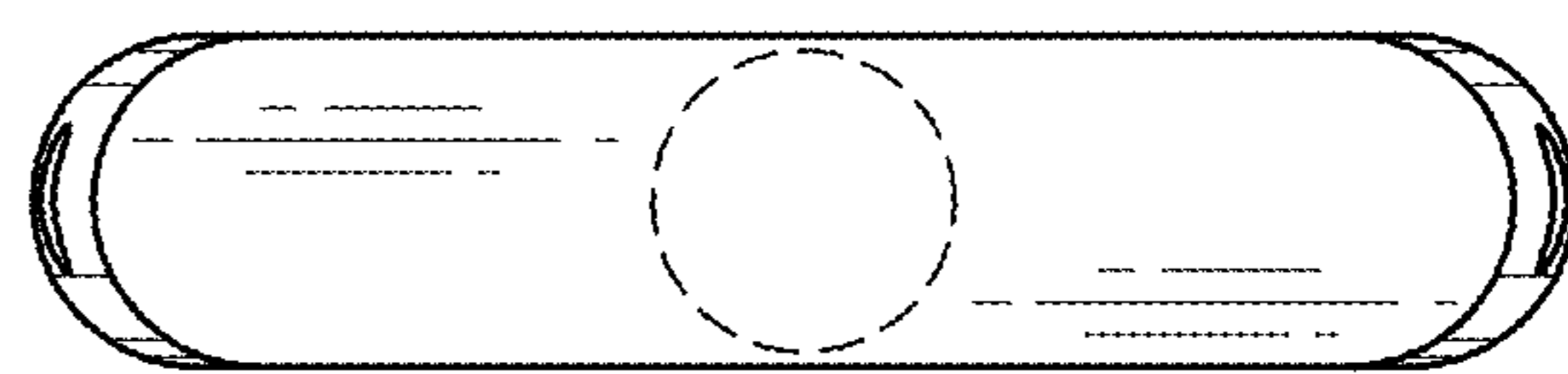


FIG. 7