



US00D774465S

(12) **United States Design Patent**
Corona

(10) **Patent No.:** **US D774,465 S**

(45) **Date of Patent:** **** Dec. 20, 2016**

(54) **MALE ELECTRICAL CONNECTOR**

(71) Applicant: **DSM&T Company, Inc.**, Fontana, CA (US)

(72) Inventor: **Sergio Corona**, Upland, CA (US)

(73) Assignee: **DSM&T Company, Inc.**, Fontana, CA (US)

(**) Term: **15 Years**

(21) Appl. No.: **29/554,988**

(22) Filed: **Feb. 17, 2016**

(51) **LOC (10) Cl.** **13-03**

(52) **U.S. Cl.**
USPC **D13/147**

(58) **Field of Classification Search**
USPC D13/118, 120, 123, 133, 146, 147,
D13/149, 154, 156, 173, 184, 199
CPC H01R 4/48; H01R 4/24; H01R 4/50;
H01R 9/00; H01R 9/03; H01R
9/05; H01R 9/22; H01R 12/00; H01R
13/24; H01R 13/28; H01R 13/52; H01R
13/64; H01R 24/00; H01R 33/00; H01R
43/00; H01R 13/00; H01R 13/40; H01B
1/026; H01B 5/00; H01B 7/00; A61N
1/056; B29C 45/14

See application file for complete search history.

(56) **References Cited**

U.S. PATENT DOCUMENTS

D86,515 S * 3/1932 Cox D13/145
4,606,596 A * 8/1986 Whiting H01R 13/58
439/465
4,704,091 A * 11/1987 Owens H01R 13/465
439/281
5,285,163 A * 2/1994 Liotta G01R 31/021
324/133

5,401,181 A 3/1995 Wilson
D360,871 S 8/1995 Wilson
D360,872 S 8/1995 Wilson
D437,828 S 2/2001 Corona
D439,221 S 3/2001 Corona
D445,763 S 7/2001 Corona
D446,186 S 8/2001 Corona
6,379,169 B1 4/2002 Corona
6,383,003 B1 5/2002 Corona
D502,919 S * 3/2005 Studnicky, III D13/146
D524,737 S * 7/2006 Lai D13/133
7,390,210 B2 6/2008 Corona
7,785,123 B2 8/2010 Corona
D677,629 S 3/2013 Corona
D678,200 S 3/2013 Corona
D678,201 S 3/2013 Corona
D678,202 S 3/2013 Corona
D678,203 S 3/2013 Corona
D678,204 S 3/2013 Corona

(Continued)

Primary Examiner — Thomas Johannes

Assistant Examiner — Shawn T Gingrich

(74) *Attorney, Agent, or Firm* — Keusey & Associates, P.C.

(57) **CLAIM**

The ornamental design for a male electrical connector, as shown and described.

DESCRIPTION

FIG. 1 is a top, front, right side perspective view of my new design of a male electrical connector.

FIG. 2 is a right side elevational view thereof.

FIG. 3 is a left side elevational thereof.

FIG. 4 is a top plan view thereof.

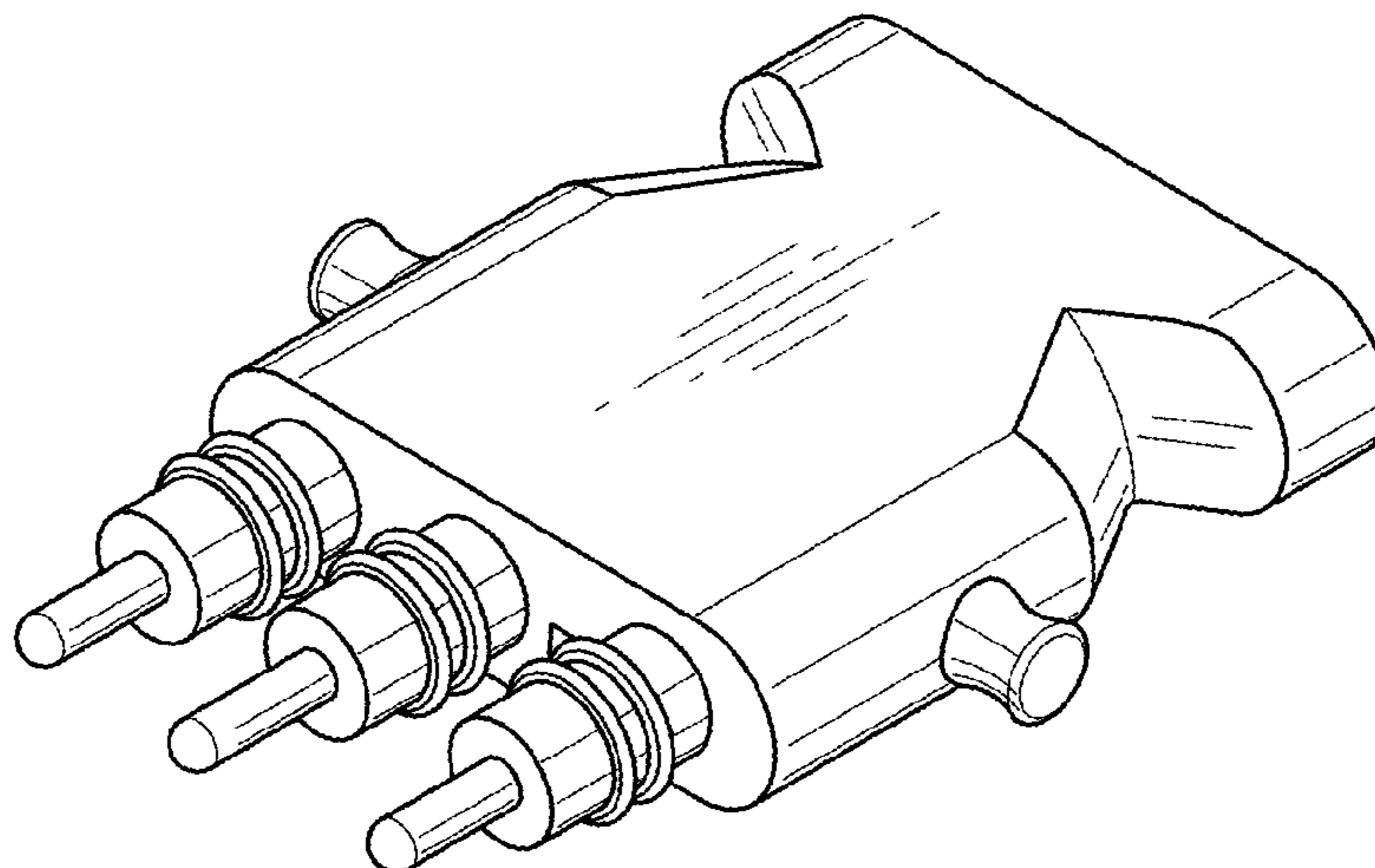
FIG. 5 is a bottom plan view thereof.

FIG. 6 is a front side elevational view thereof; and,

FIG. 7 is a rear side elevational view thereof.

The broken lines in FIG. 7 are included to show environmental structure and form no part of the claimed design.

1 Claim, 2 Drawing Sheets



(56)

References Cited

U.S. PATENT DOCUMENTS

D708,142 S *	7/2014	Luther	D13/146
D729,169 S	5/2015	Corona	
D748,058 S	1/2016	Corona	
D753,065 S	4/2016	Corona	
D762,178 S *	7/2016	Liu	D13/147
2008/0108243 A1 *	5/2008	Corona	B29C 45/14065 439/352

* cited by examiner

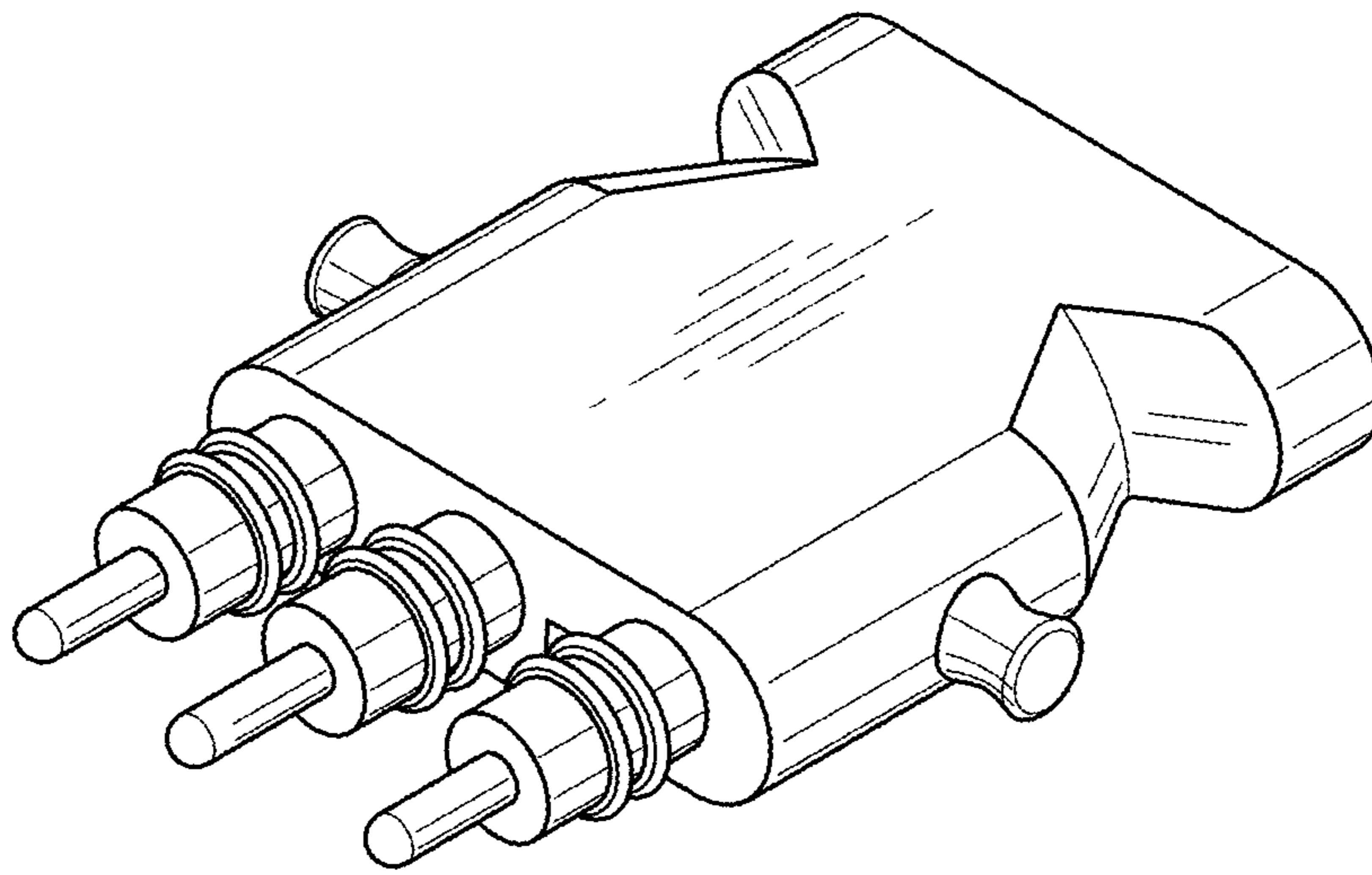


FIG. 1

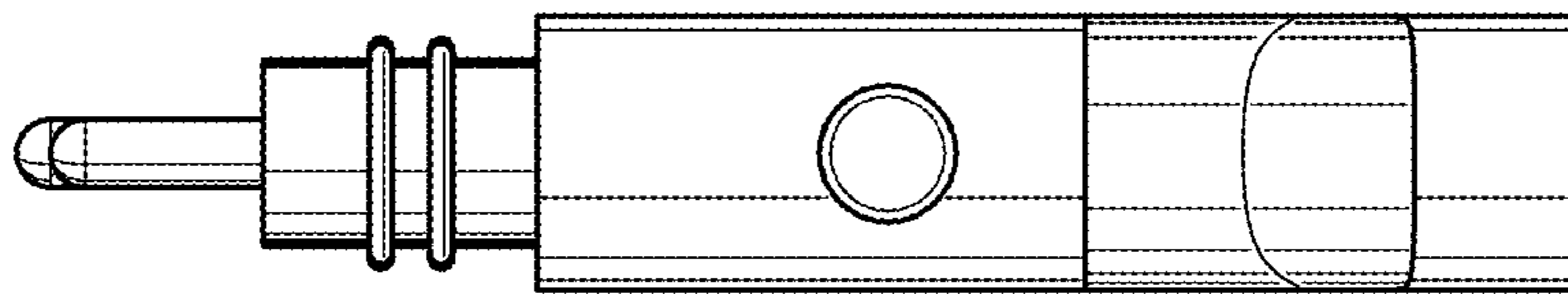


FIG. 2

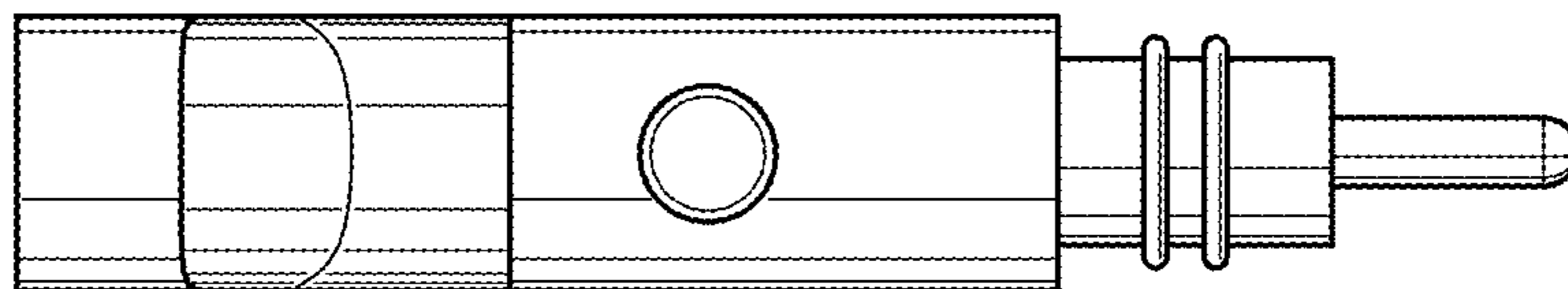


FIG. 3

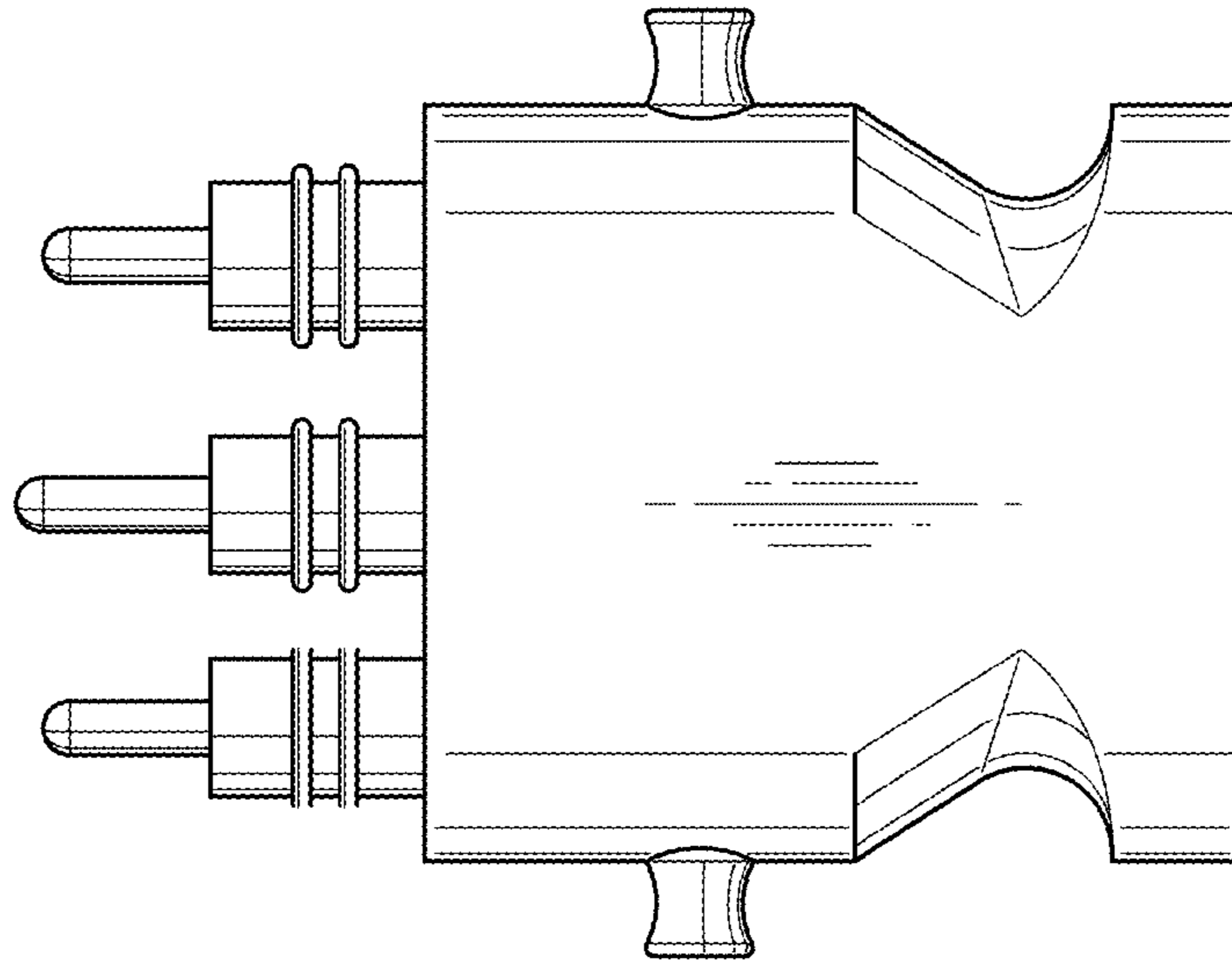


FIG. 4

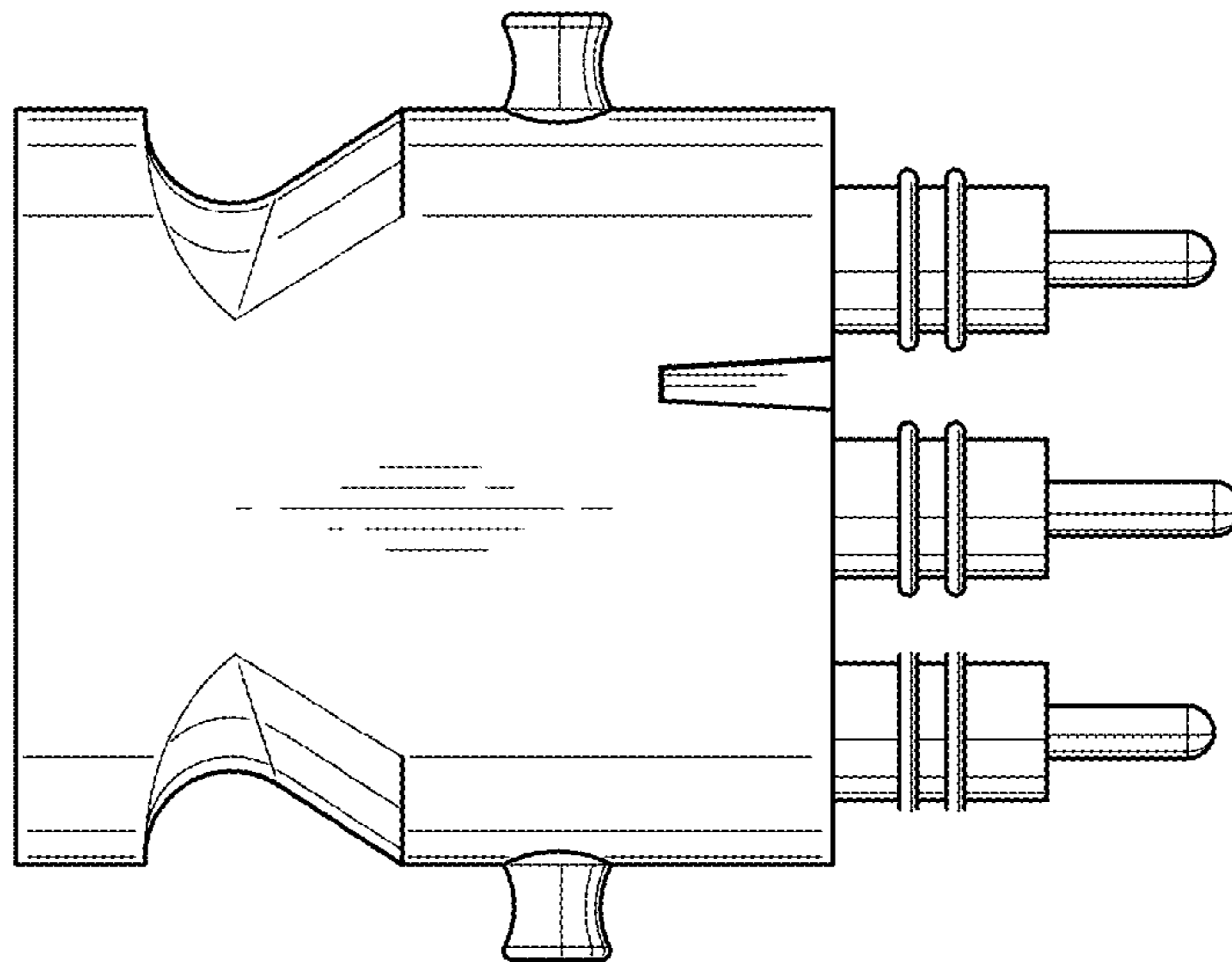


FIG. 5

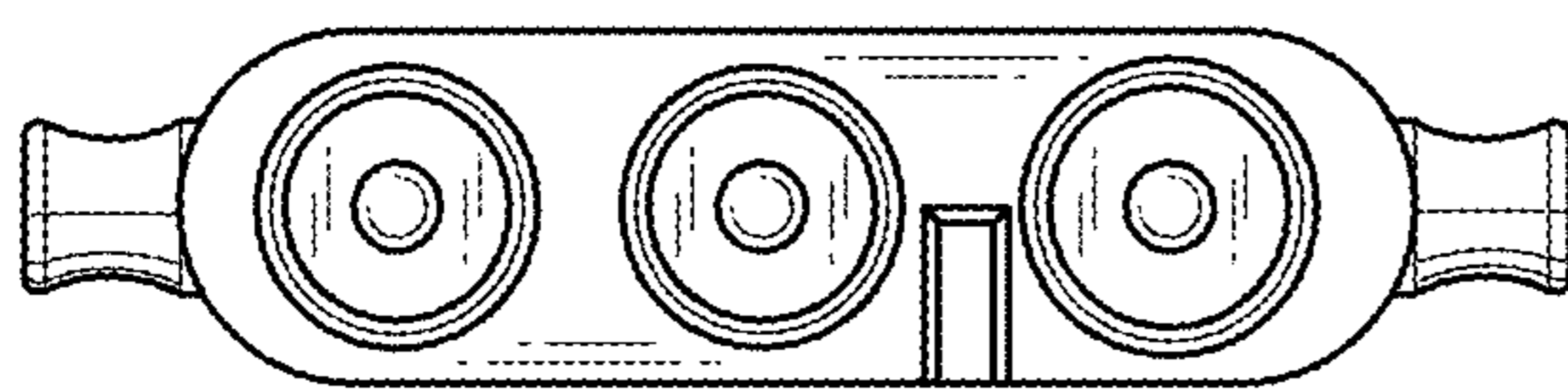


FIG. 6

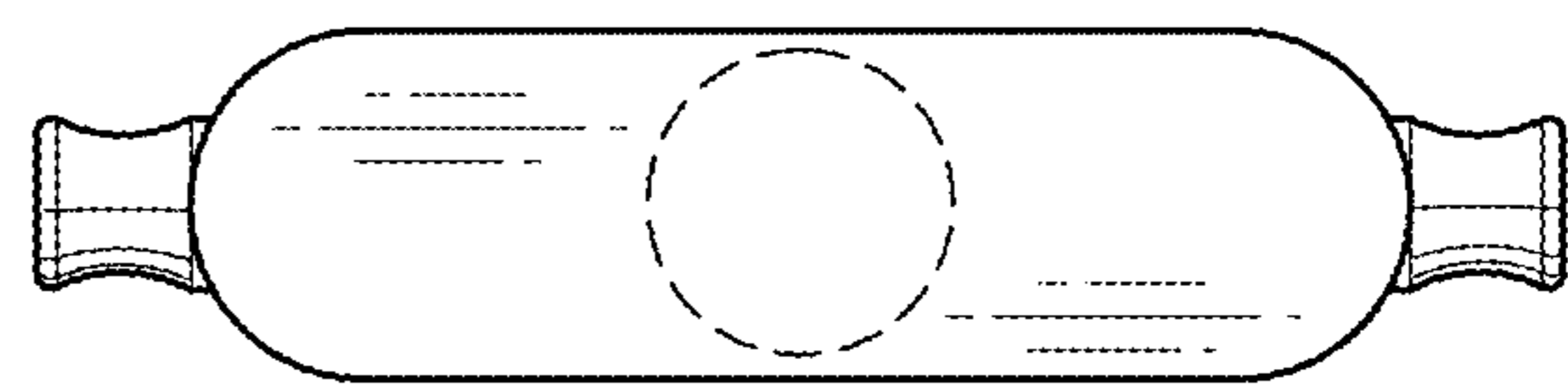


FIG. 7