



US00D774464S

(12) **United States Design Patent**  
**Takenaga et al.**

(10) **Patent No.:** **US D774,464 S**

(45) **Date of Patent:** **\*\* Dec. 20, 2016**

(54) **ELECTRICAL CONNECTOR**

(71) Applicant: **JAPAN AVIATION ELECTRONICS INDUSTRY, LIMITED**, Tokyo (JP)

(72) Inventors: **Yuichi Takenaga**, Tokyo (JP); **Toshiro Kobuchi**, Tokyo (JP); **Takayuki Nishimura**, Tokyo (JP); **Hiroaki Obikane**, Tokyo (JP)

(73) Assignee: **Japan Aviation Electronics Industry, Limited**, Tokyo (JP)

(\*\*) Term: **15 Years**

(21) Appl. No.: **29/554,273**

(22) Filed: **Feb. 10, 2016**

(30) **Foreign Application Priority Data**

Aug. 26, 2015 (JP) ..... 2015-018694  
Aug. 26, 2015 (JP) ..... 2015-018695

(51) **LOC (10) Cl.** ..... **13-03**

(52) **U.S. Cl.**  
USPC ..... **D13/147**

(58) **Field of Classification Search**  
USPC ..... D13/133, 147, 154, 184, 199  
CPC ..... H01R 12/00; H01R 13/00; H01R 24/00;  
H01R 43/00  
See application file for complete search history.

(56) **References Cited**

**U.S. PATENT DOCUMENTS**

D562,244 S \* 2/2008 Peng ..... D13/147  
D562,770 S \* 2/2008 Obikane ..... D13/147  
D598,861 S \* 8/2009 Hoshino ..... D13/147  
D692,833 S 11/2013 Nishimura et al.

D695,691 S 12/2013 Kobuchi et al.  
D758,971 S \* 6/2016 Arichika ..... D13/147  
2009/0280658 A1\* 11/2009 Hoshino ..... H01R 12/7082  
439/66

**FOREIGN PATENT DOCUMENTS**

JP 1478247 S 9/2013  
JP 1509402 S 10/2014

\* cited by examiner

*Primary Examiner* — Daniel Bui

(74) *Attorney, Agent, or Firm* — Cermak Nakajima & McGowan LLP; Tomoko Nakajima

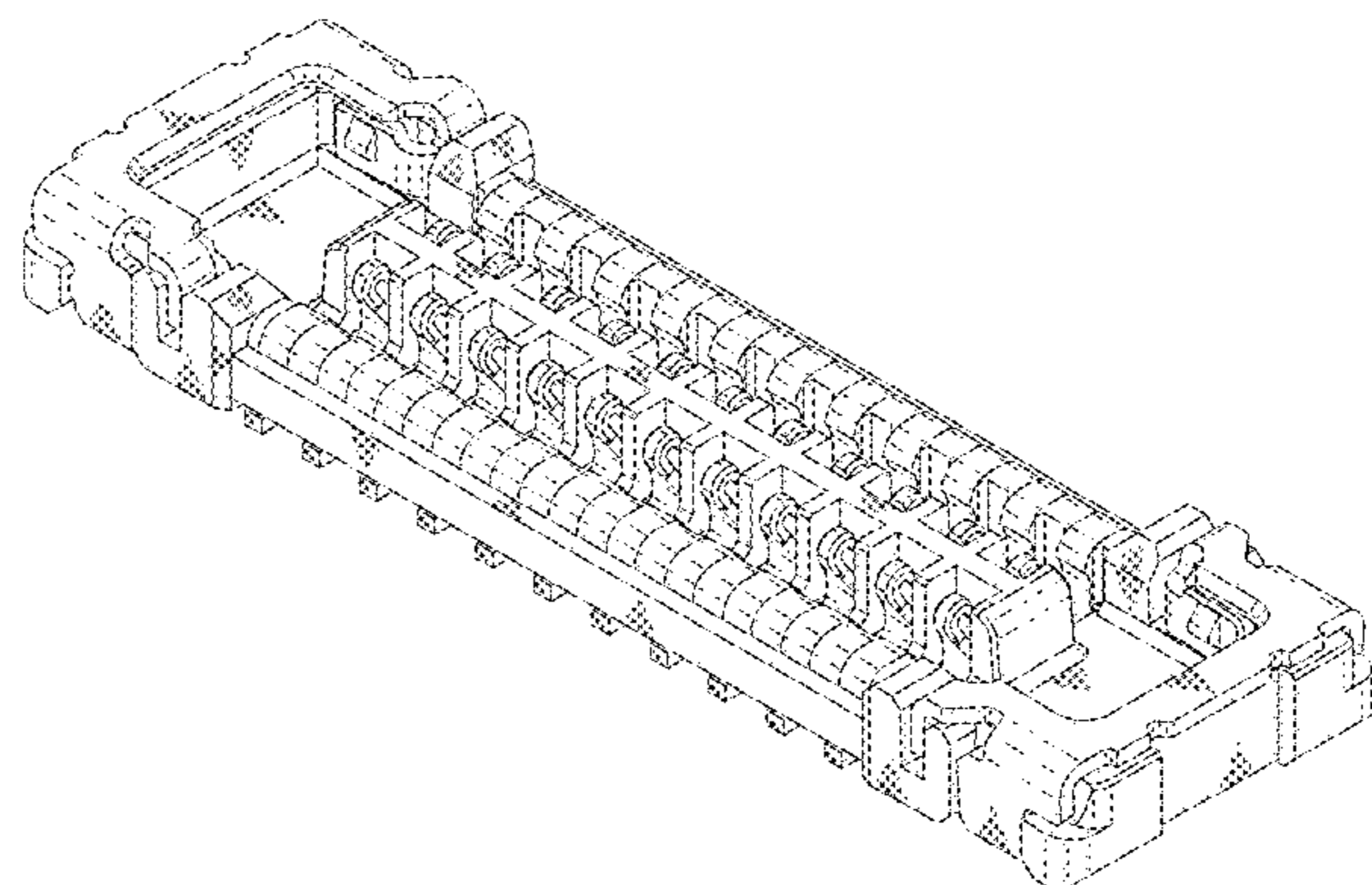
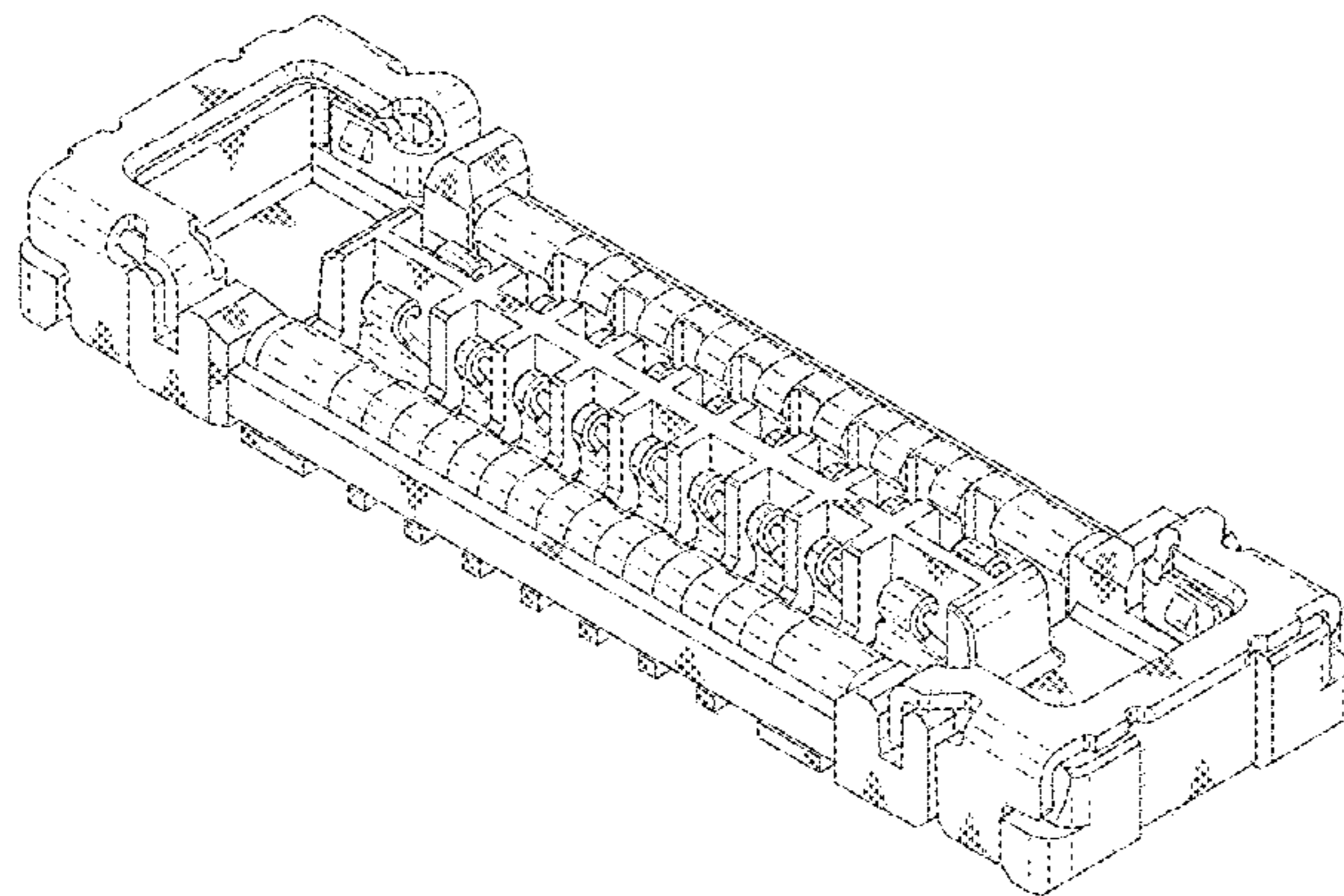
(57) **CLAIM**

The ornamental design for an electrical connector, as shown and described.

**DESCRIPTION**

FIG. 1 is a front elevational view of a first embodiment of an electrical connector showing our new design; FIG. 2 is a top plan view thereof; FIG. 3 is a right side elevational view thereof; FIG. 4 is a left side elevational view thereof; FIG. 5 is a rear elevational view thereof; FIG. 6 is a bottom plan view thereof; FIG. 7 is a top perspective view thereof; and FIG. 8 is a bottom perspective view thereof; FIG. 9 is a front elevational view of a second embodiment of an electrical connector showing our new design; FIG. 10 is a top plan view thereof; FIG. 11 is a right side elevational view thereof; FIG. 12 is a left side elevational view thereof; FIG. 13 is a rear elevational view thereof; FIG. 14 is a bottom plan view thereof; FIG. 15 is a top perspective view thereof; and FIG. 16 is a bottom perspective view thereof.

**1 Claim, 16 Drawing Sheets**



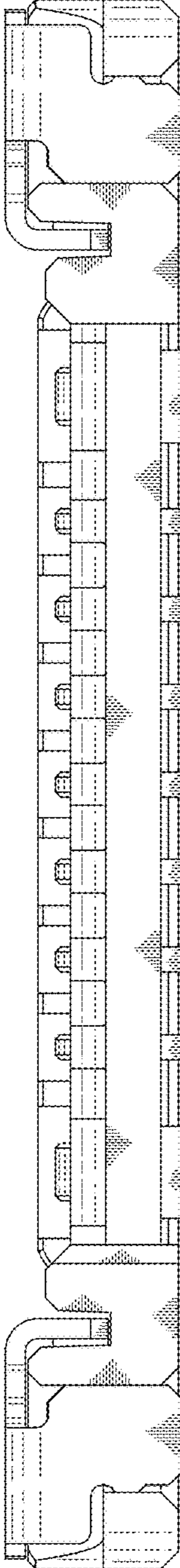


FIG.1

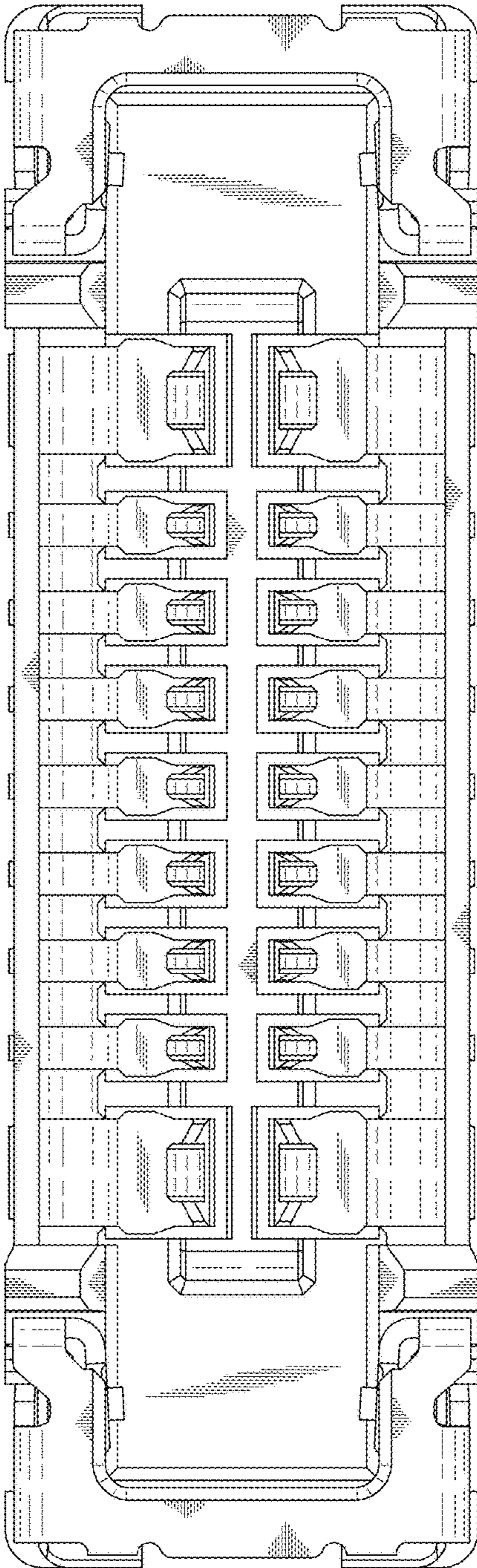


FIG.2

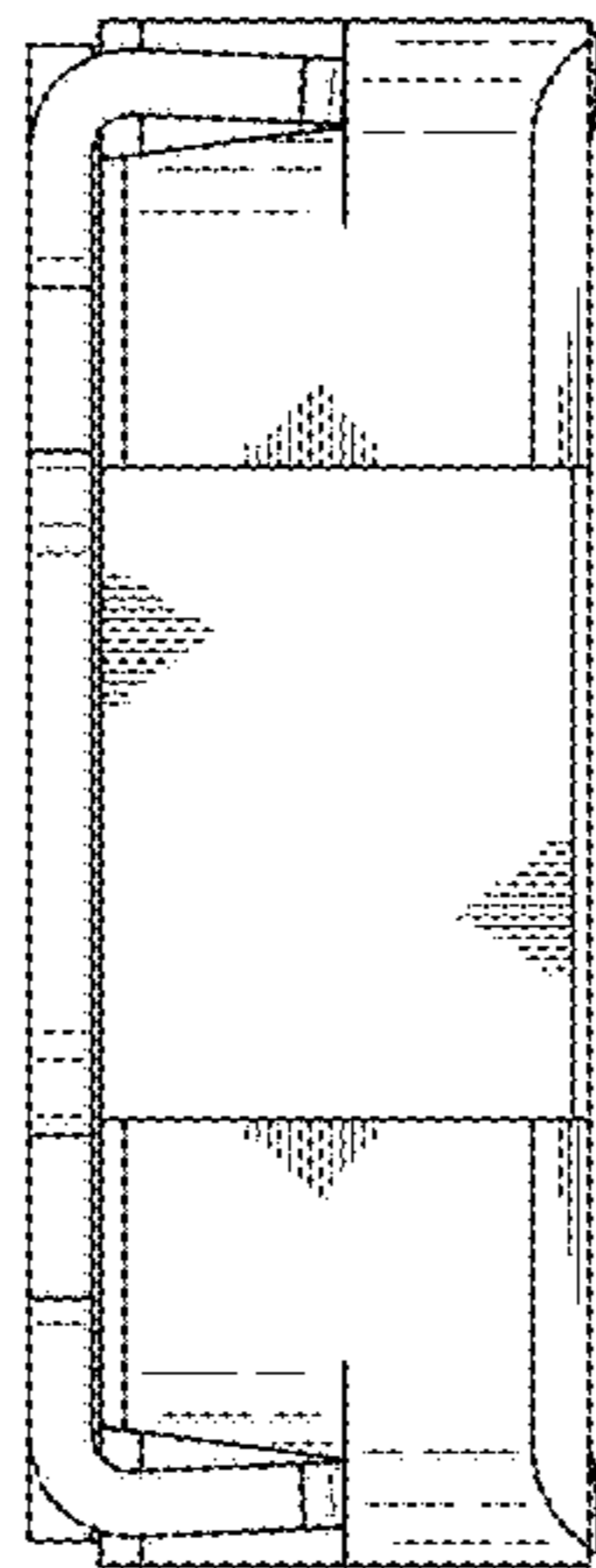


FIG.3

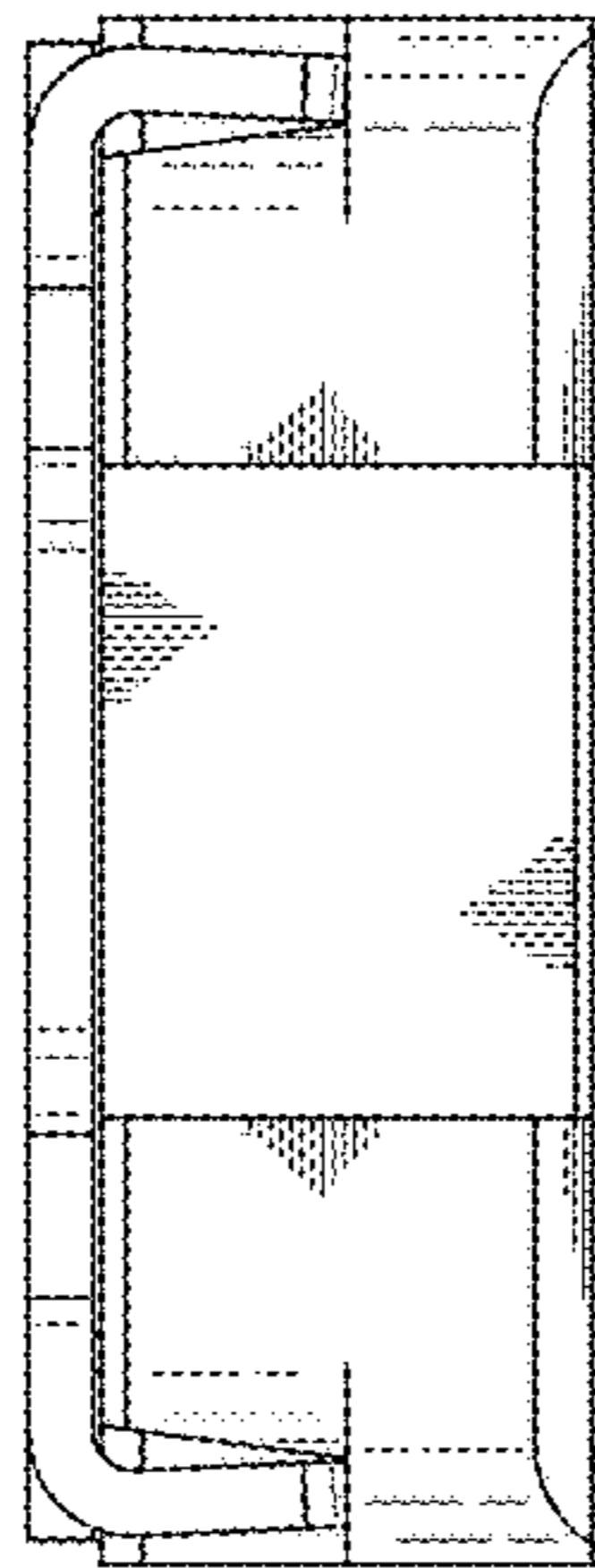


FIG.4

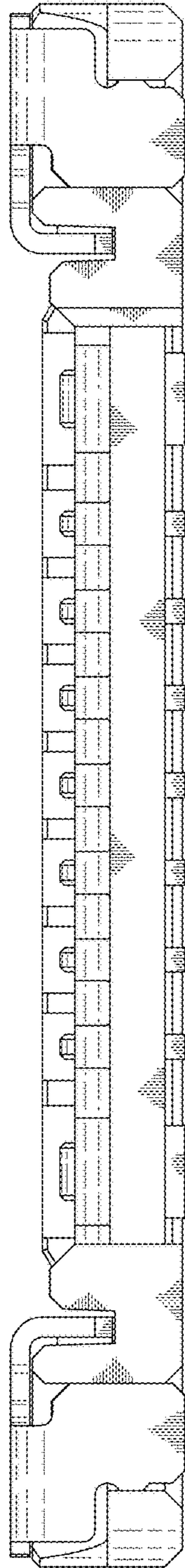


FIG.5

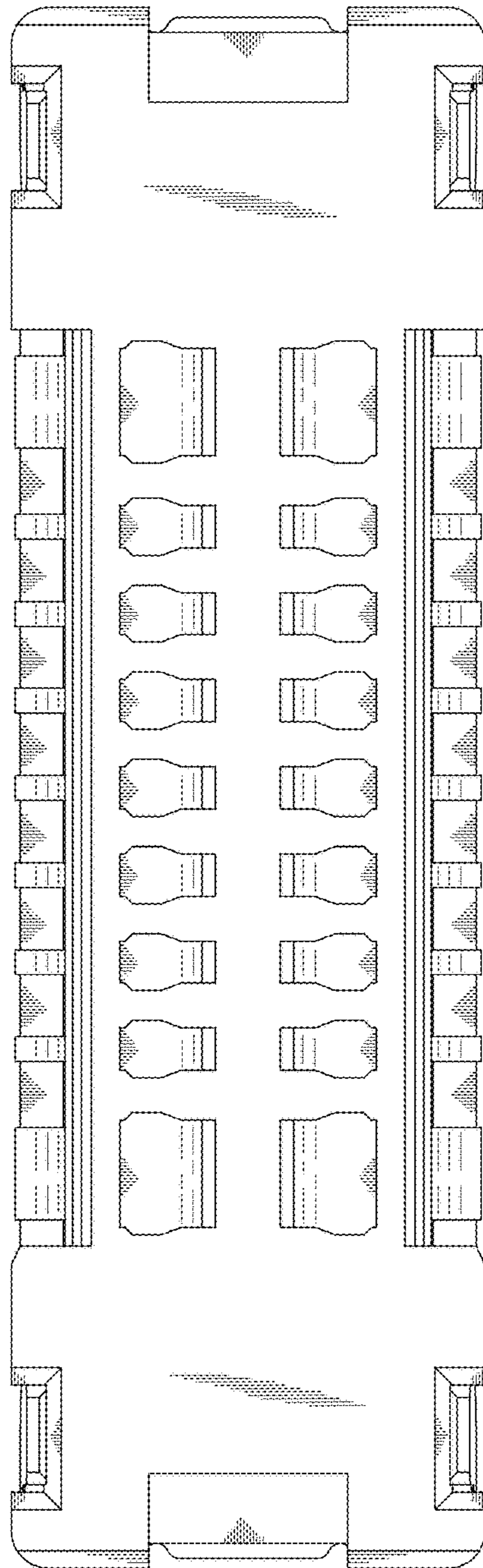


FIG.6

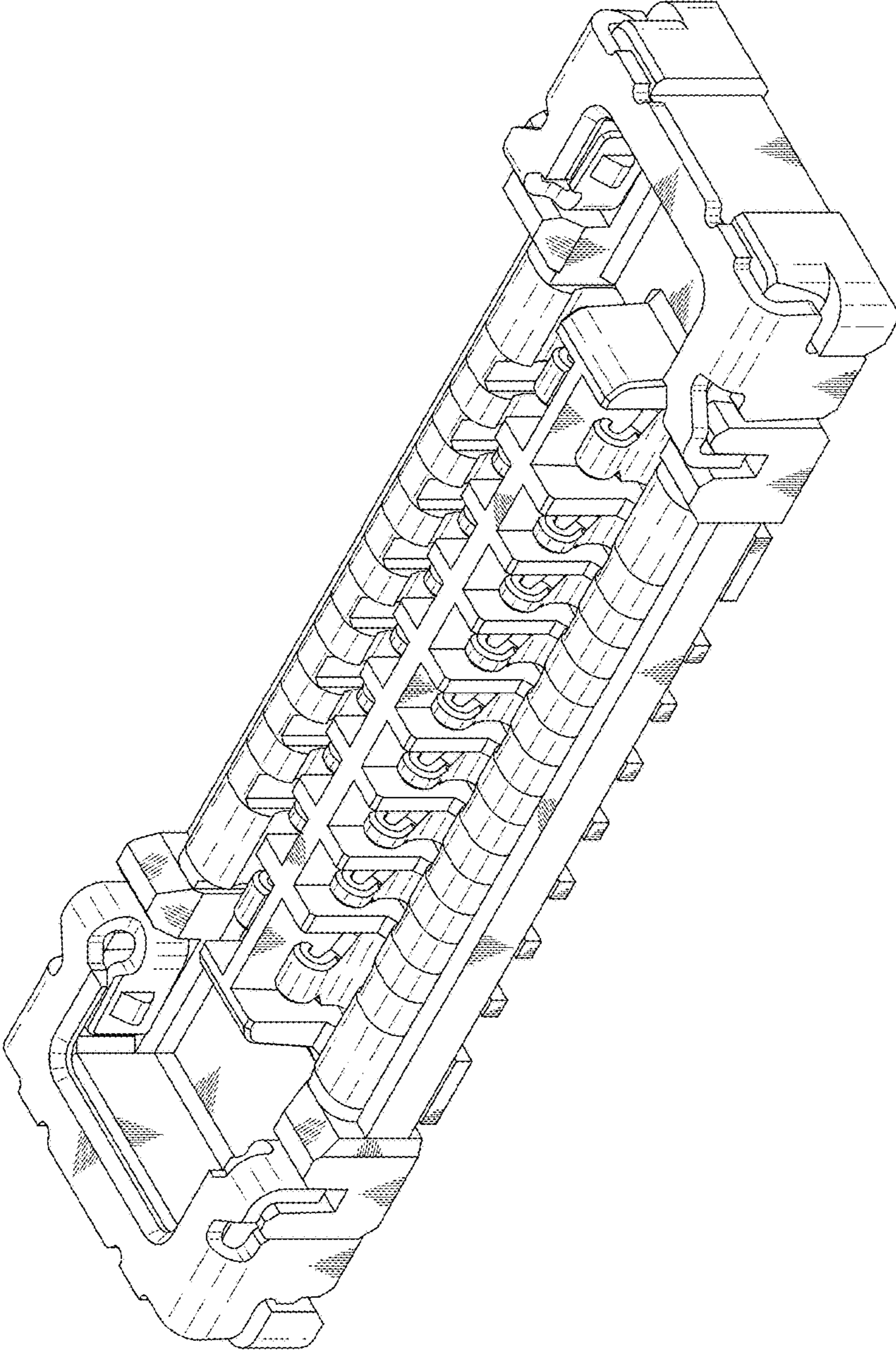


FIG.7



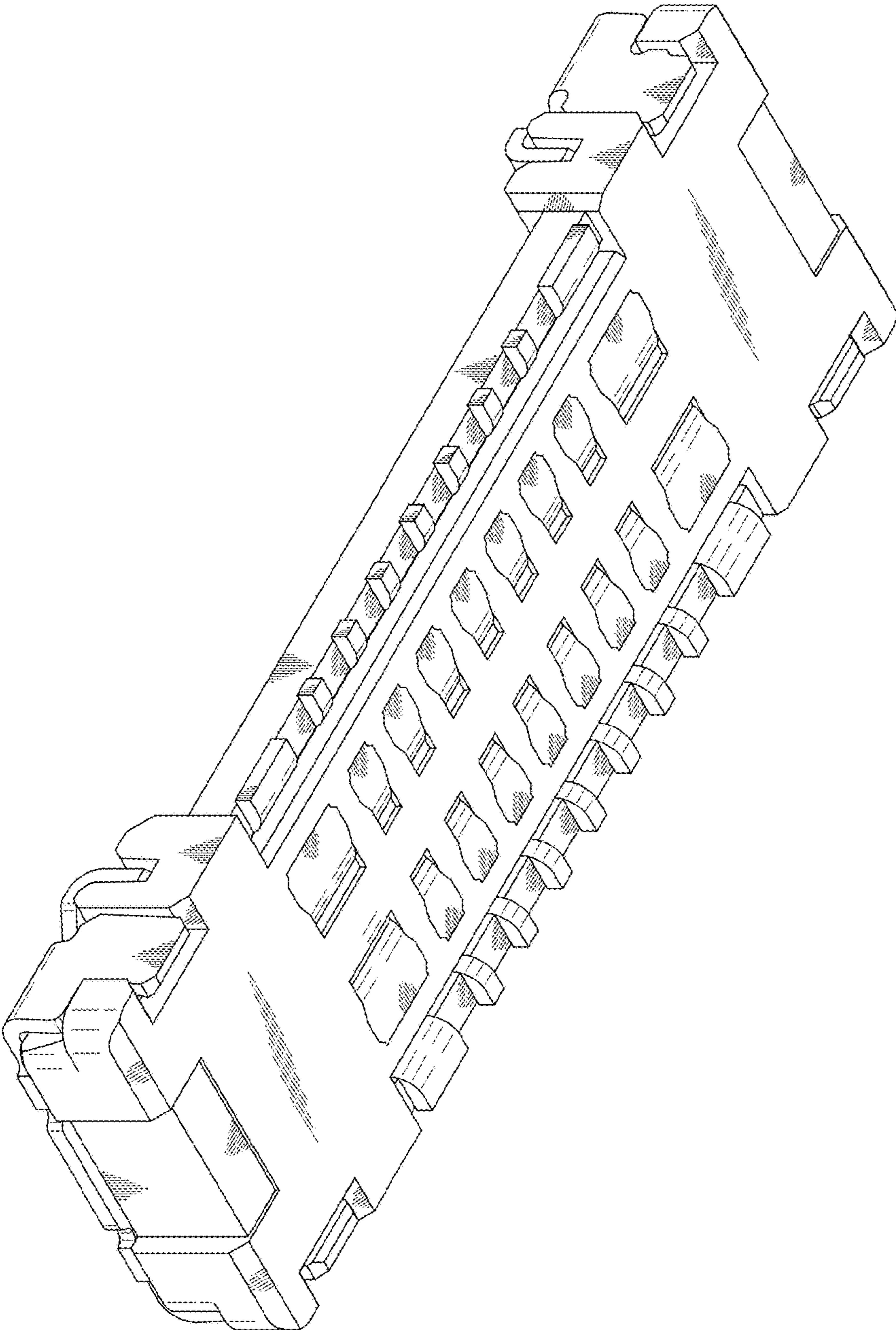


FIG.8

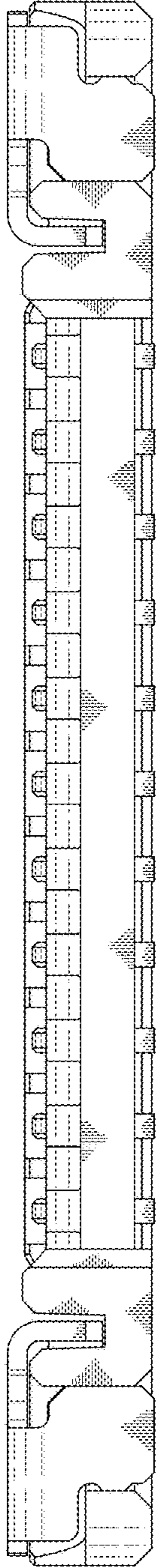


FIG.9

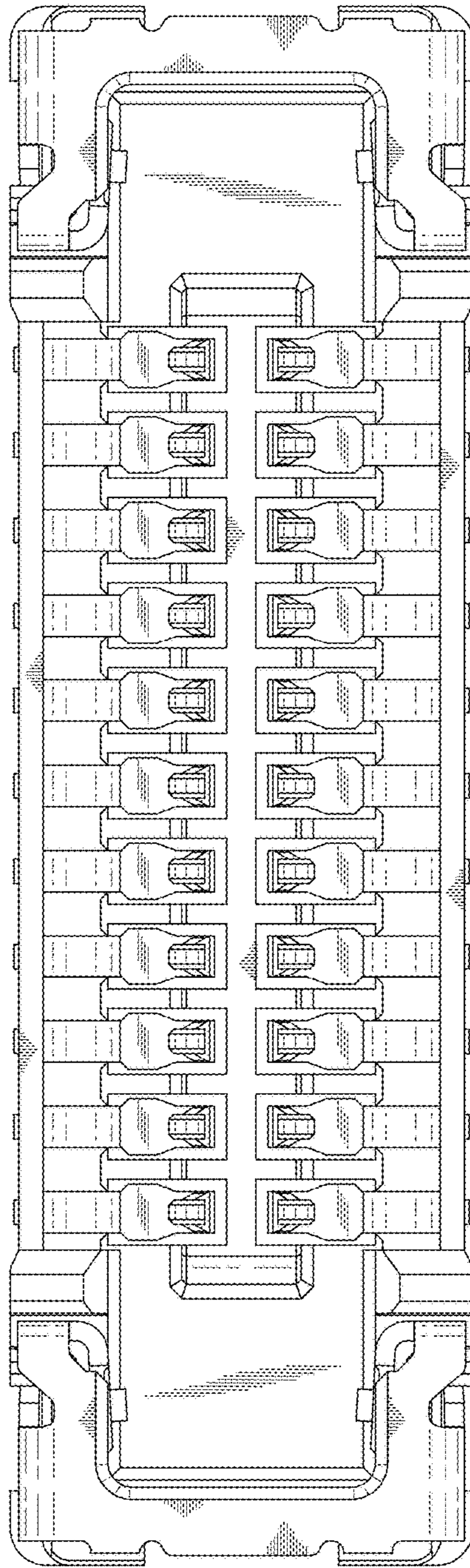


FIG.10

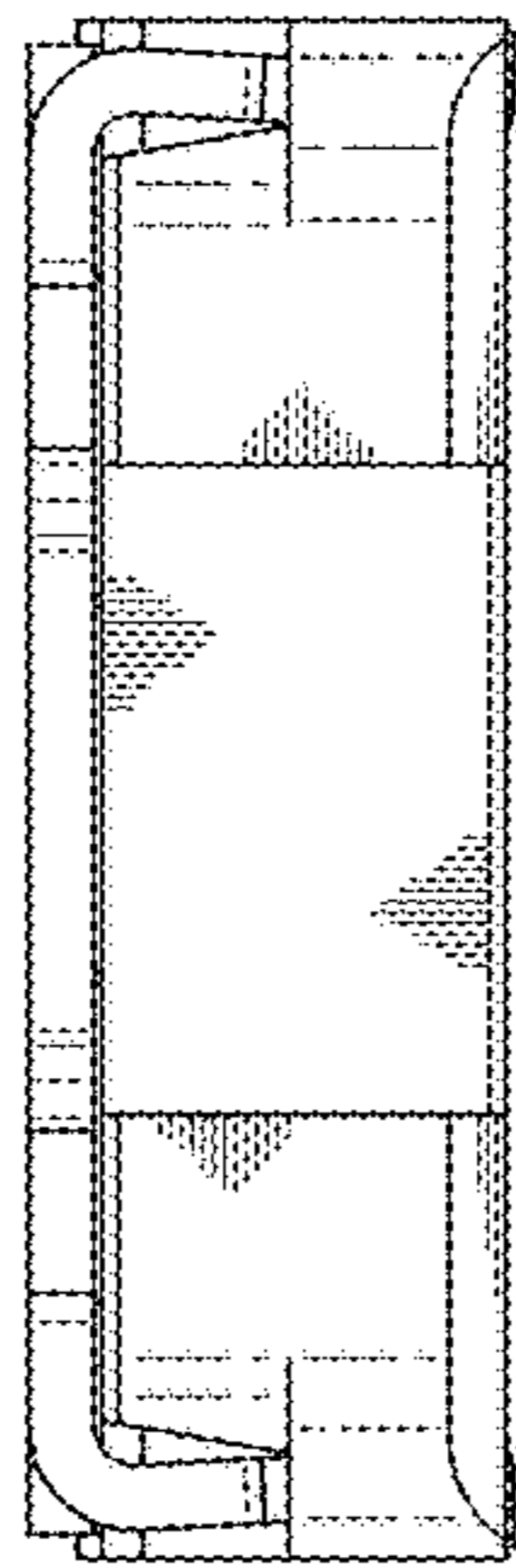


FIG.11

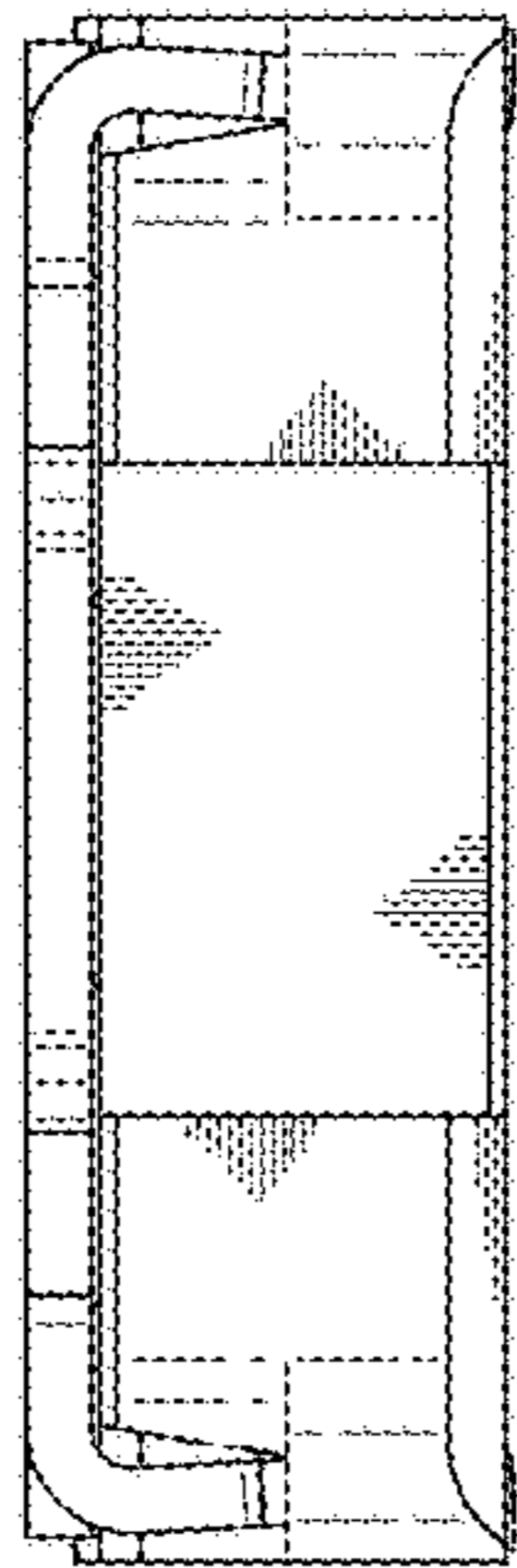


FIG.12

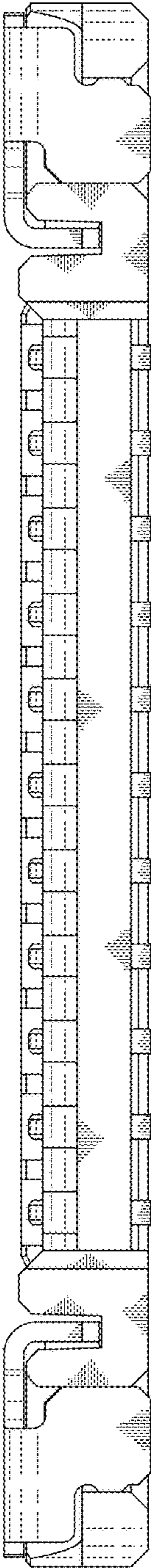


FIG.13

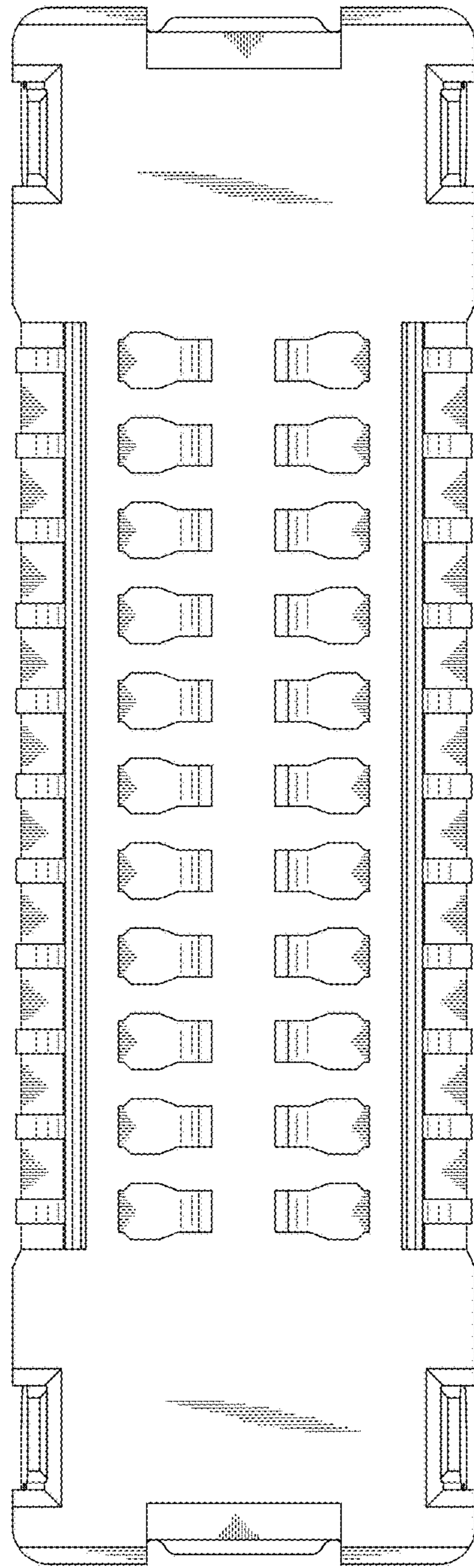


FIG.14

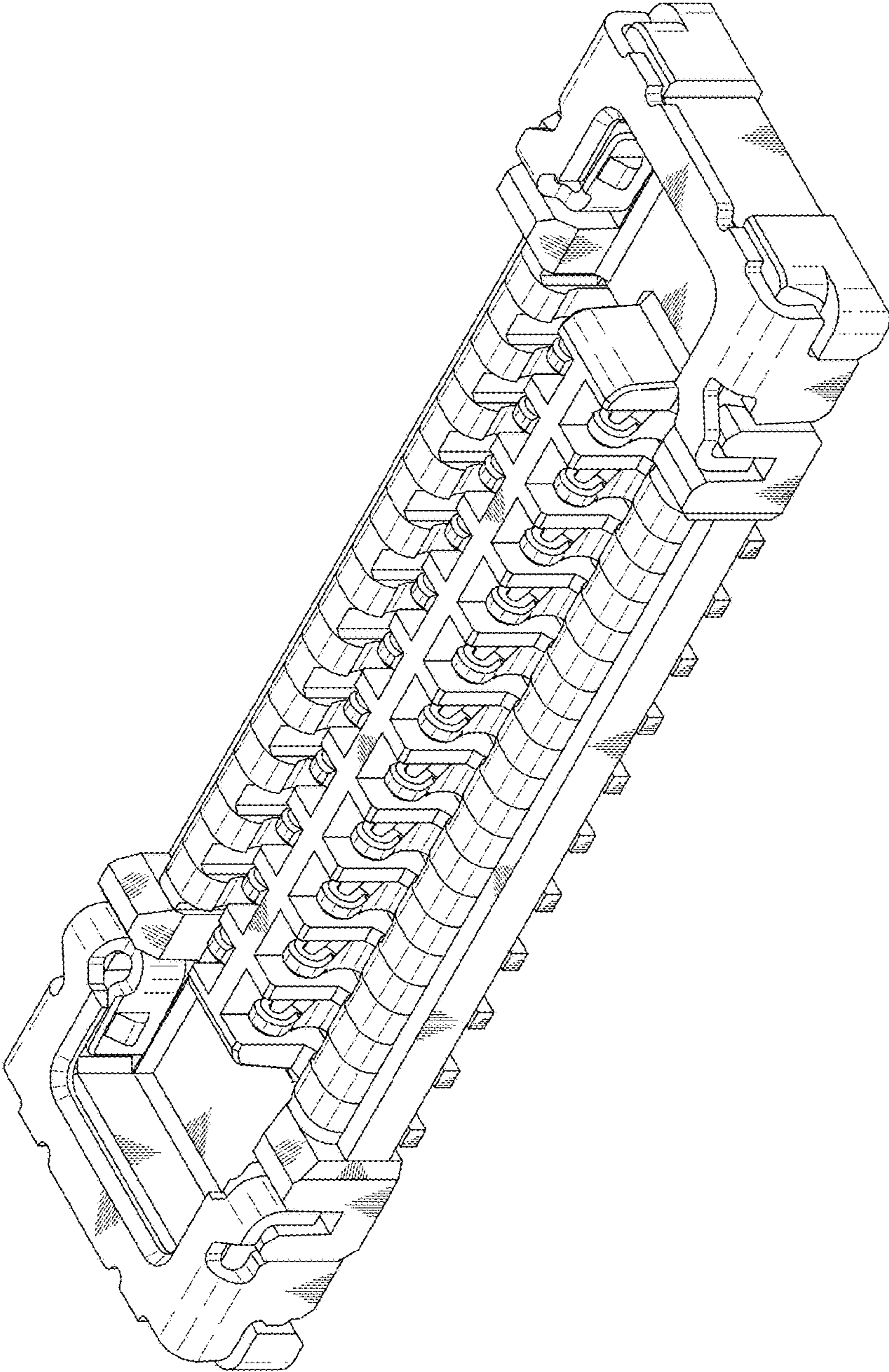


FIG.15



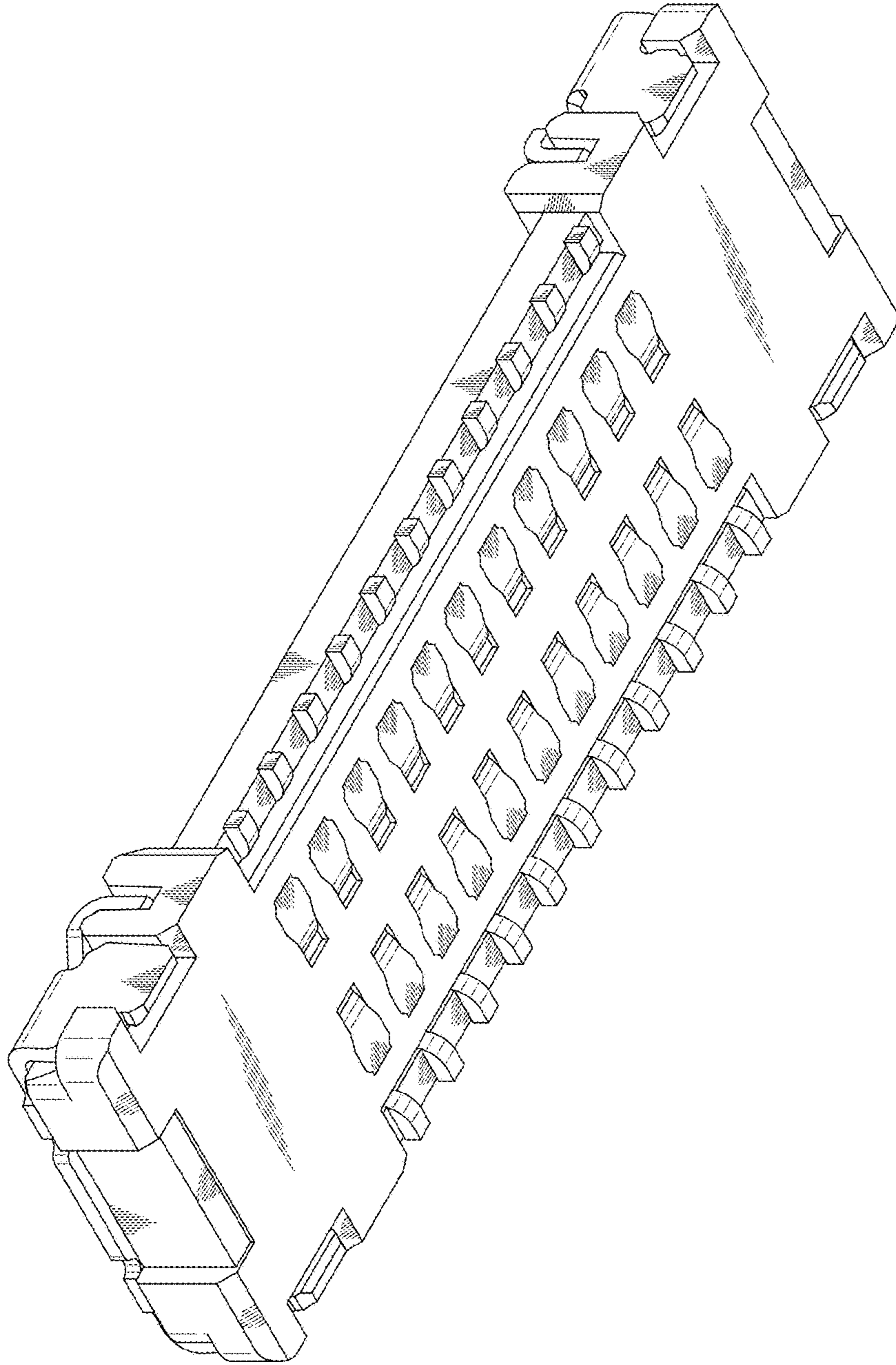


FIG.16