

US00D774463S

(12) **United States Design Patent**
Omodachi et al.

(10) **Patent No.:** **US D774,463 S**

(45) **Date of Patent:** **** Dec. 20, 2016**

(54) **ELECTRICAL CONNECTOR**

(71) Applicant: **Japan Aviation Electronics Industry, Limited**, Tokyo (JP)

(72) Inventors: **Takashi Omodachi**, Tokyo (JP);
Takayuki Nishimura, Tokyo (JP);
Hiroaki Obikane, Tokyo (JP)

(73) Assignee: **Japan Aviation Electronics Industry, Limited**, Tokyo (JP)

(**) Term: **15 Years**

(21) Appl. No.: **29/536,745**

(22) Filed: **Aug. 19, 2015**

(30) **Foreign Application Priority Data**

Mar. 5, 2015 (JP) 2015-004805

(51) **LOC (10) Cl.** **13-03**

(52) **U.S. Cl.**
USPC **D13/147**

(58) **Field of Classification Search**
USPC D13/133, 147, 154, 184, 199
CPC H01R 12/00; H01R 13/00; H01R 24/00;
H01R 43/00
See application file for complete search history.

(56) **References Cited**

U.S. PATENT DOCUMENTS

D603,801 S * 11/2009 Obikane D13/147
D642,535 S * 8/2011 Sato D13/147

D684,120 S * 6/2013 Miyazaki D13/147
D691,960 S * 10/2013 Miyazaki D13/147
D692,833 S 11/2013 Nishimura et al.
D695,691 S 12/2013 Kobuchi et al.
D720,298 S * 12/2014 Takenaga D13/147
D739,826 S * 9/2015 Omodachi D13/147
D743,905 S * 11/2015 Kobuchi D13/147
D745,463 S * 12/2015 Kobuchi D13/147
D748,583 S * 2/2016 Kobuchi D13/147

FOREIGN PATENT DOCUMENTS

JP 1478247 S 9/2013
JP 1509402 S 10/2014

* cited by examiner

Primary Examiner — Daniel Bui

(74) *Attorney, Agent, or Firm* — Cermak Nakajima & McGowan LLP; Tomoko Nakajima

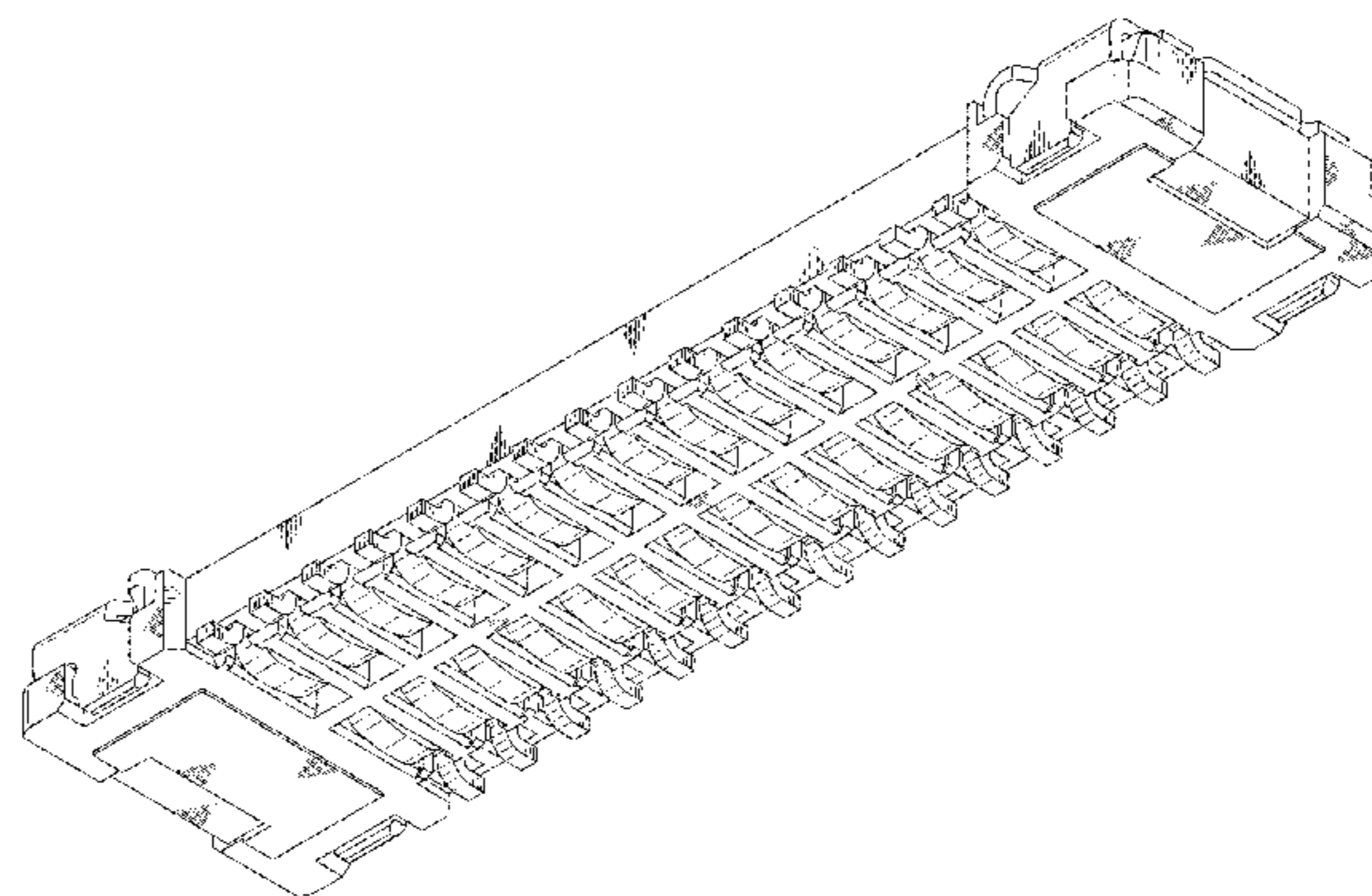
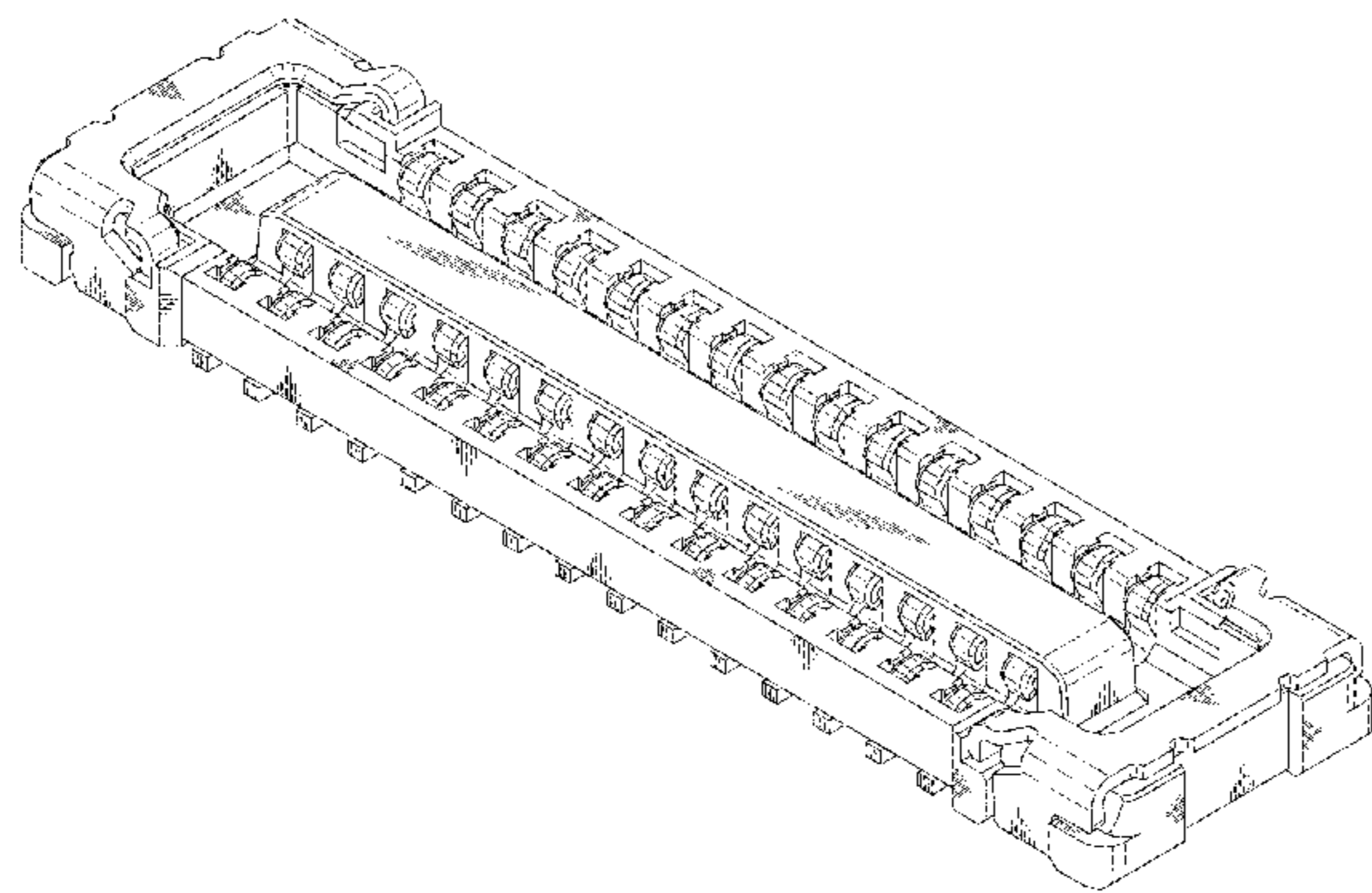
(57) **CLAIM**

The ornamental design for an electrical connector, as shown.

DESCRIPTION

FIG. 1 is a front elevational view of an electrical connector showing our new design;
FIG. 2 is a top plan view thereof;
FIG. 3 is a right side elevational view thereof;
FIG. 4 is a left side elevational view thereof;
FIG. 5 is a rear elevational view thereof;
FIG. 6 is a bottom plan view thereof.
FIG. 7 is a top perspective view thereof; and,
FIG. 8 is a bottom perspective view thereof.

1 Claim, 8 Drawing Sheets



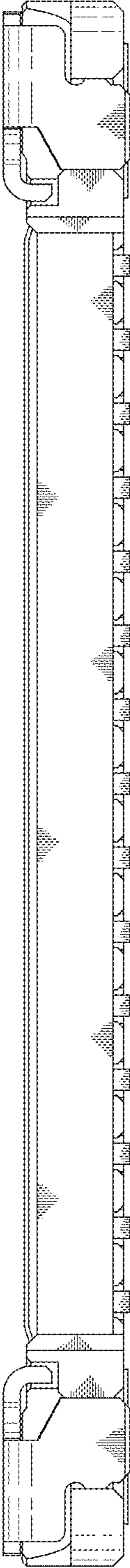


FIG.1

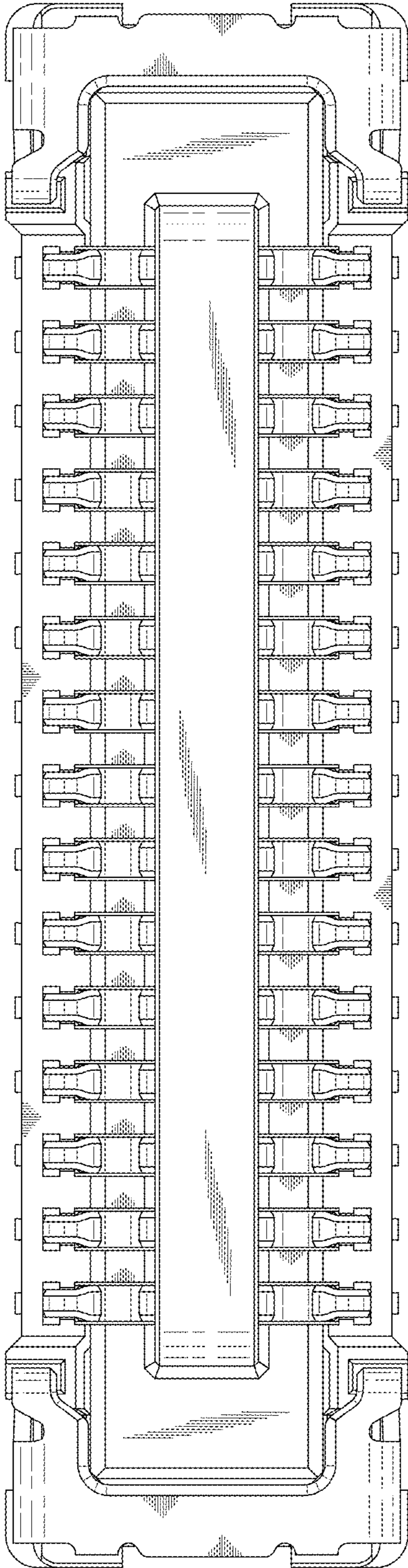


FIG.2

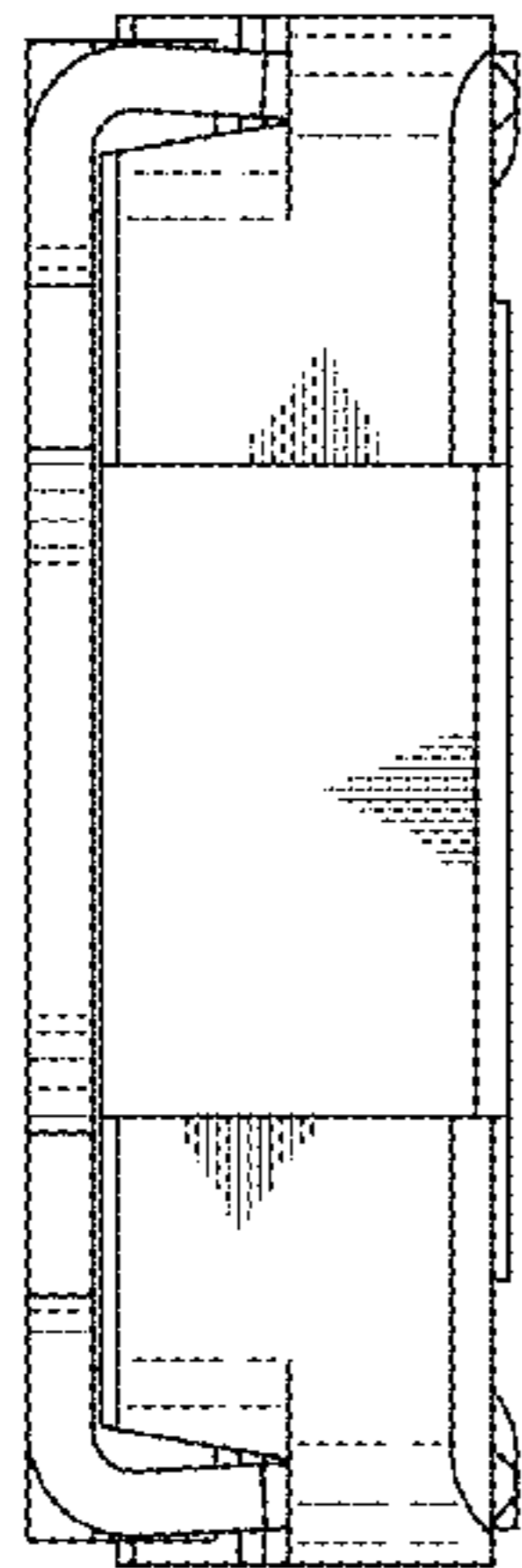


FIG.3

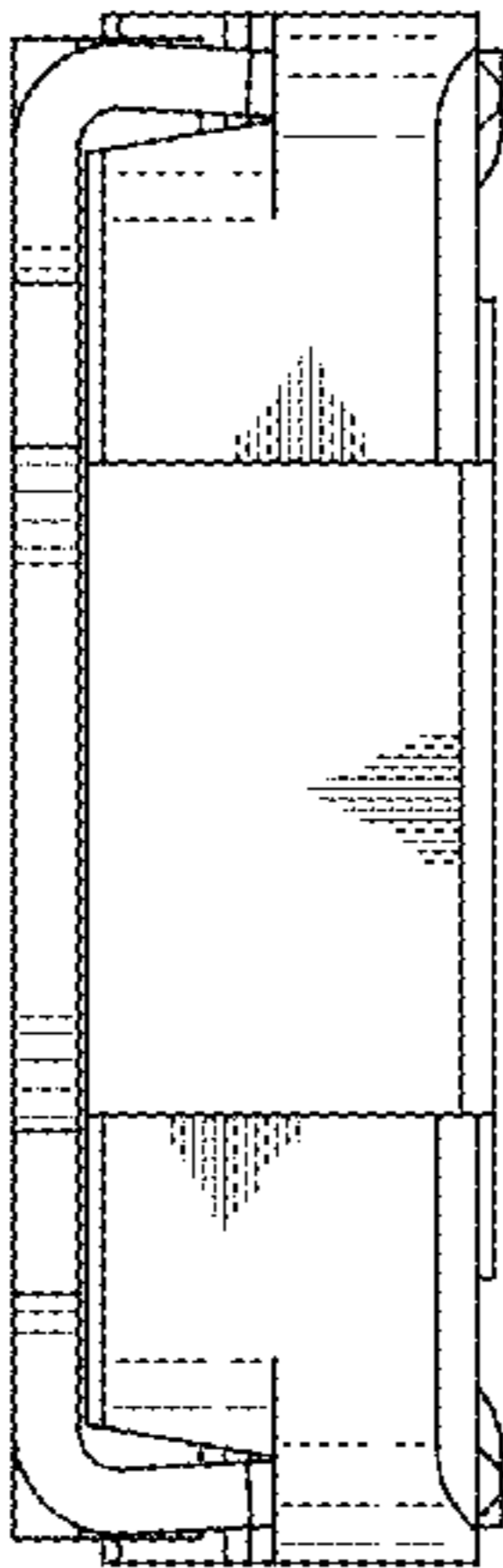


FIG.4

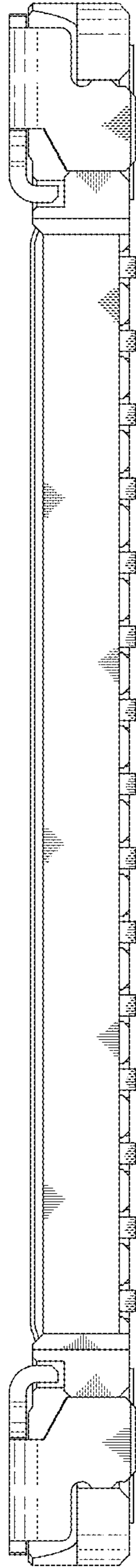


FIG.5

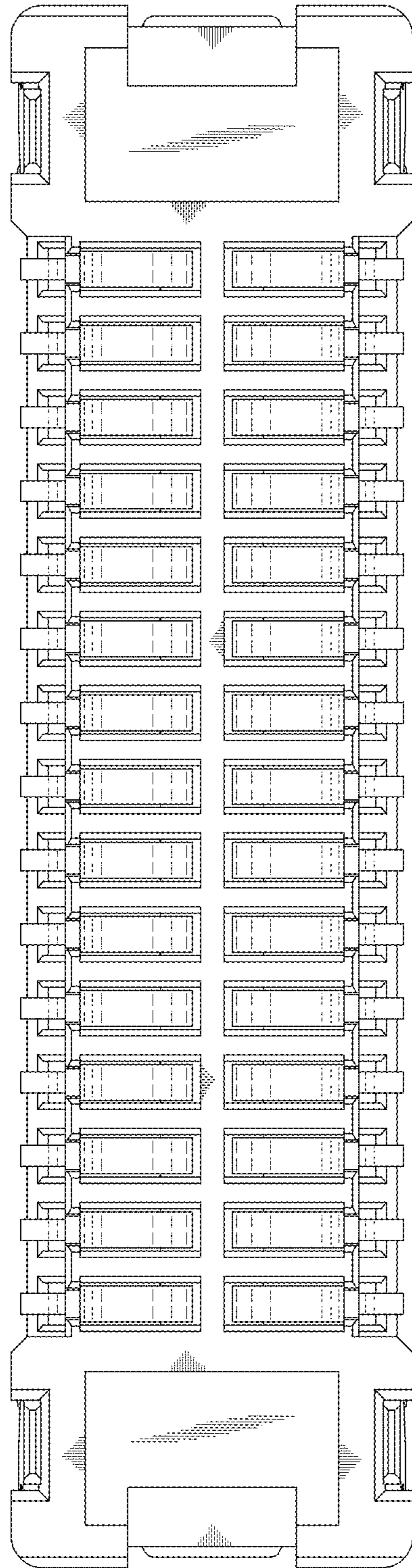


FIG.6

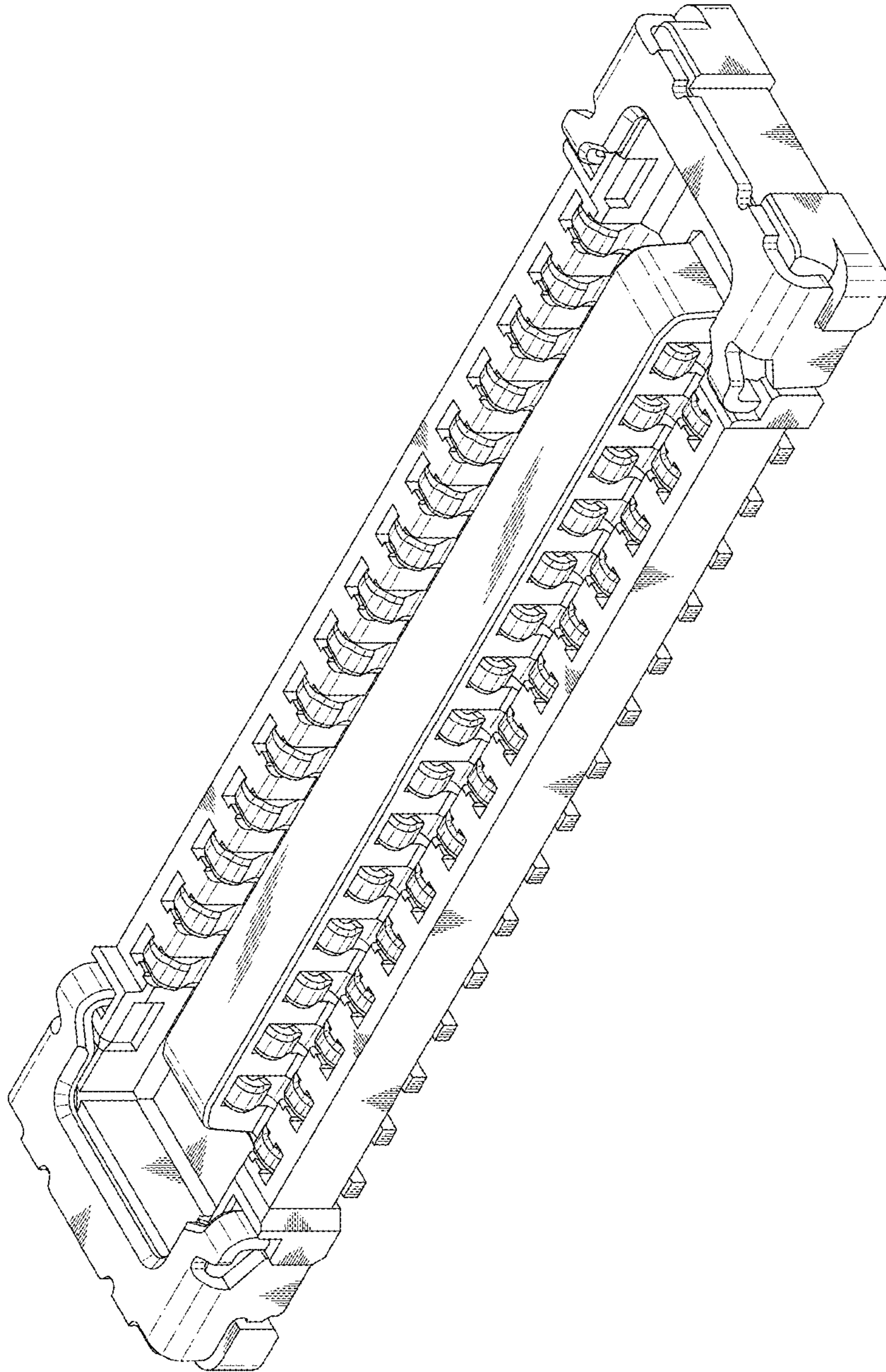


FIG.7

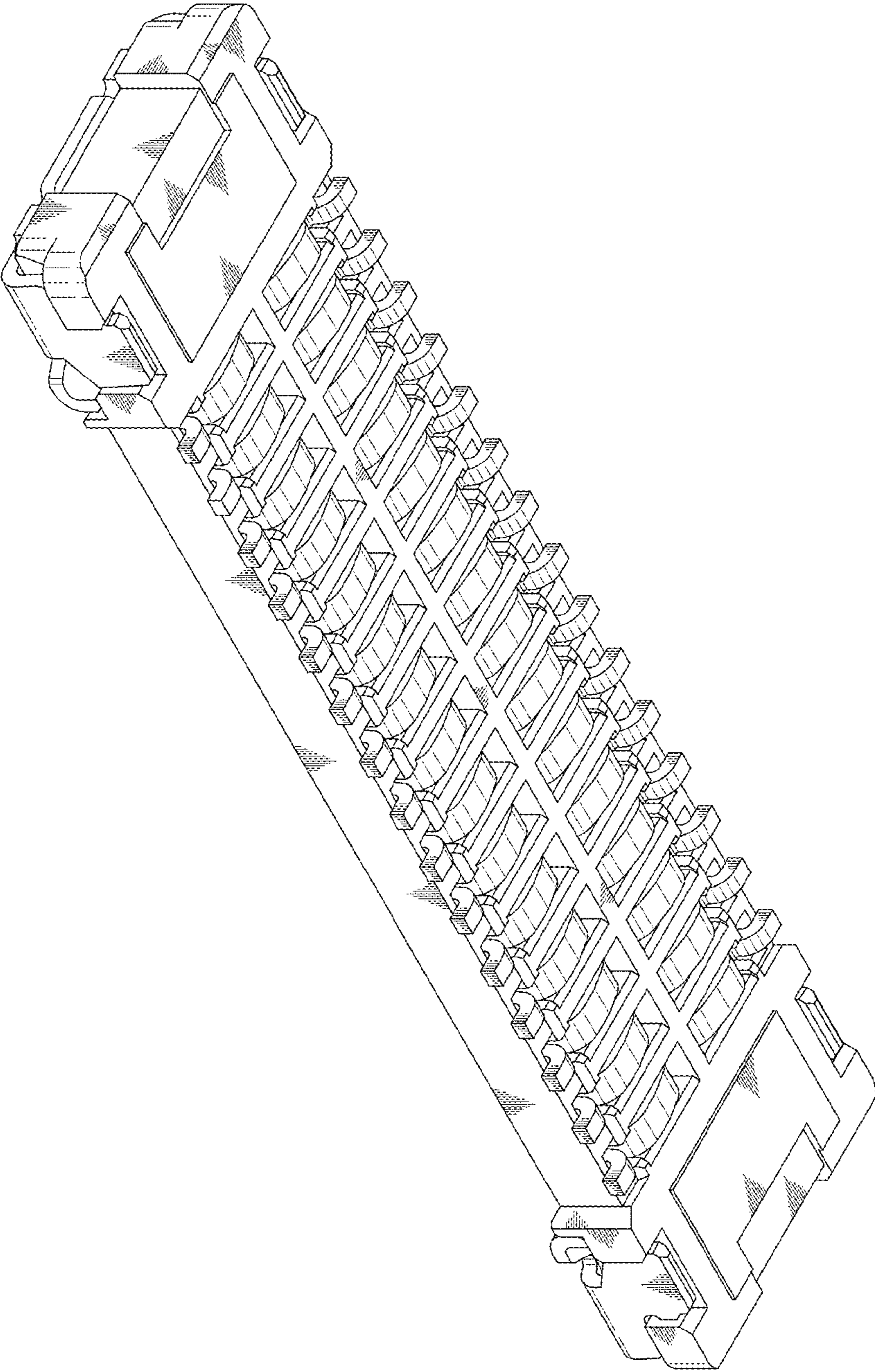


FIG.8