



US00D774462S

(12) **United States Design Patent**  
**Omodachi et al.**

(10) **Patent No.:** **US D774,462 S**

(45) **Date of Patent:** **\*\* Dec. 20, 2016**

(54) **ELECTRICAL CONNECTOR**

(71) Applicant: **Japan Aviation Electronics Industry, Limited**, Tokyo (JP)

(72) Inventors: **Takashi Omodachi**, Tokyo (JP);  
**Takayuki Nishimura**, Tokyo (JP);  
**Hiroaki Obikane**, Tokyo (JP)

(73) Assignee: **Japan Aviation Electronics Industry, Limited**, Tokyo (JP)

(\*\*) Term: **15 Years**

(21) Appl. No.: **29/536,739**

(22) Filed: **Aug. 19, 2015**

(30) **Foreign Application Priority Data**

Mar. 5, 2015 (JP) ..... 2015-004804

(51) **LOC (10) Cl.** ..... **13-03**

(52) **U.S. Cl.**  
USPC ..... **D13/147**

(58) **Field of Classification Search**  
USPC ..... D13/133, 147, 154, 184, 199  
CPC ..... H01R 12/00; H01R 13/00; H01R 24/00;  
H01R 43/00  
See application file for complete search history.

(56) **References Cited**

**U.S. PATENT DOCUMENTS**

D540,263 S \* 4/2007 Kishi ..... D13/147  
D603,799 S 11/2009 Obikane et al.  
D641,705 S 7/2011 Sato et al.  
D642,531 S \* 8/2011 Nishimura ..... D13/147

D643,369 S \* 8/2011 Sato ..... D13/147  
D696,200 S \* 12/2013 Kobuchi ..... D13/147  
D720,699 S \* 1/2015 Watanabe ..... D13/147  
D722,295 S \* 2/2015 Miyazaki ..... D13/147  
D722,568 S \* 2/2015 Ueda ..... D13/147  
D739,825 S \* 9/2015 Omodachi ..... D13/147  
D745,848 S \* 12/2015 Kobuchi ..... D13/147  
D760,659 S \* 7/2016 Takemoto ..... D13/147

**FOREIGN PATENT DOCUMENTS**

JP 1447640 S 7/2012  
JP 1448618 S 8/2012  
JP 1477436 S 8/2013  
JP 1509401 S 10/2014

\* cited by examiner

*Primary Examiner* — Daniel Bui

(74) *Attorney, Agent, or Firm* — Cermak Nakajima & McGowan LLP; Tomoko Nakajima

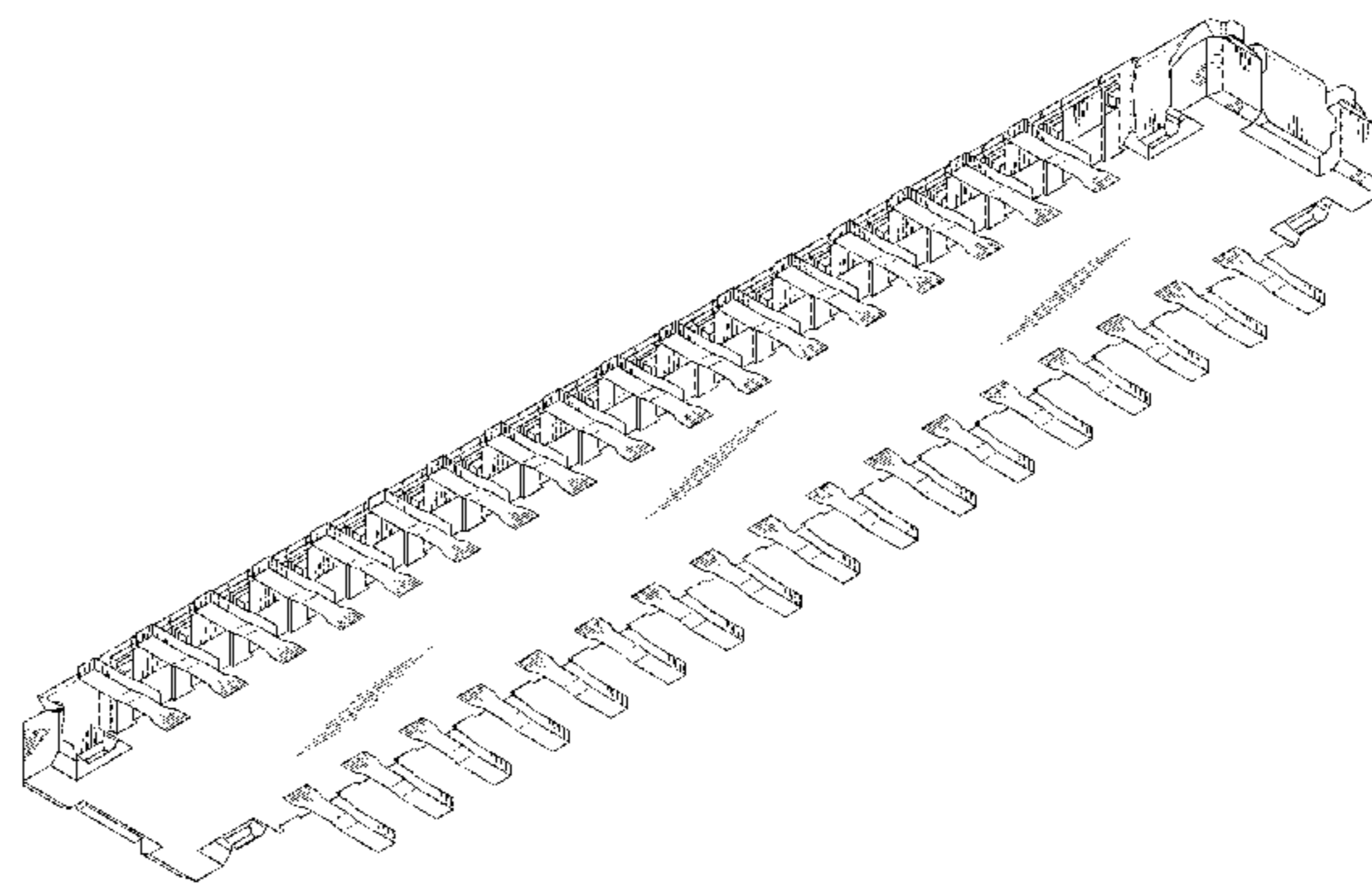
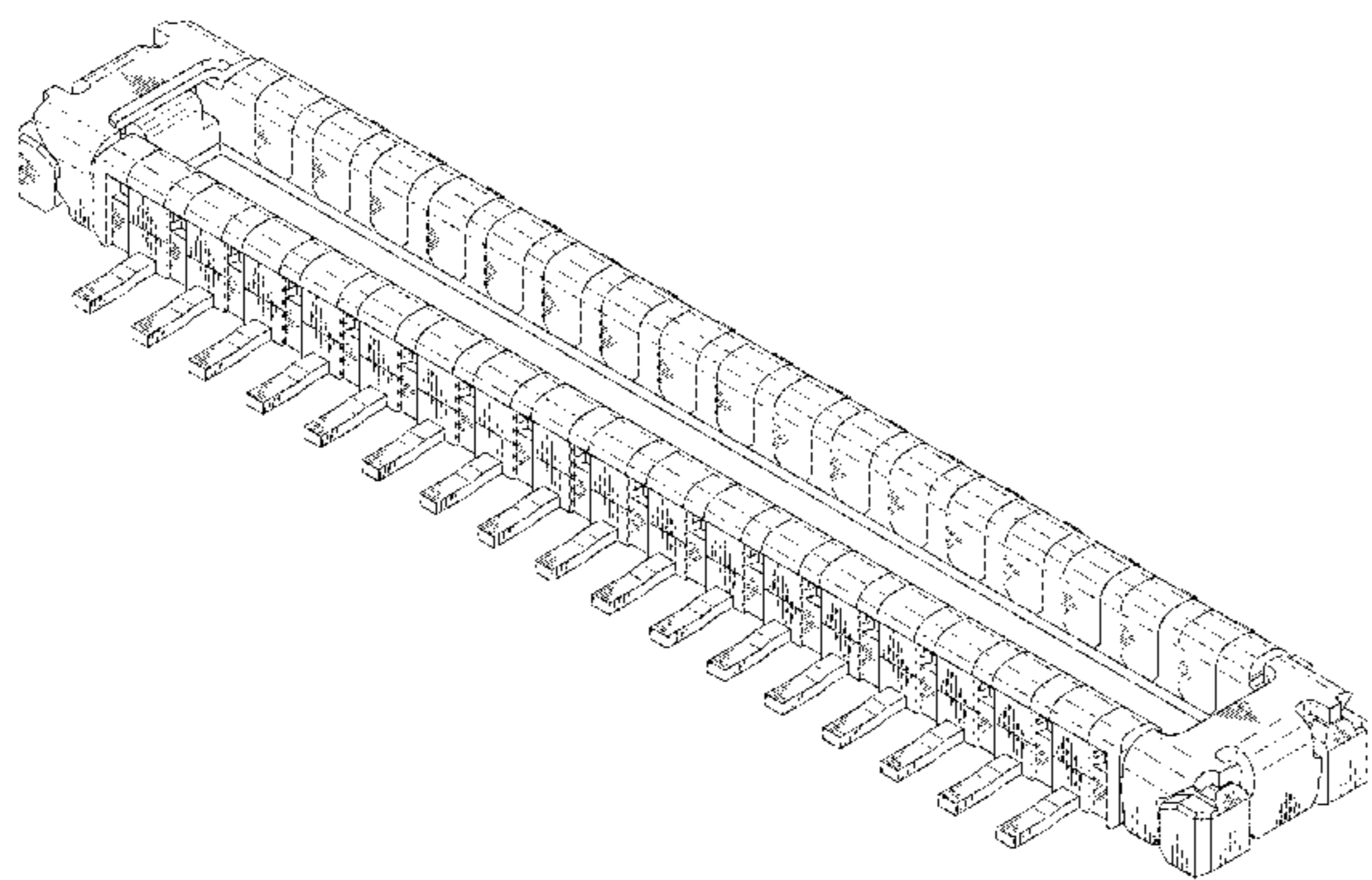
(57) **CLAIM**

The ornamental design for an electrical connector, as shown.

**DESCRIPTION**

FIG. 1 is a front elevational view of an electrical connector showing our new design;  
FIG. 2 is a top plan view thereof;  
FIG. 3 is a right side elevational view thereof;  
FIG. 4 is a left side elevational view thereof;  
FIG. 5 is a rear elevational view thereof; and  
FIG. 6 is a bottom plan view thereof.  
FIG. 7 is a top perspective view thereof; and,  
FIG. 8 is a bottom perspective view thereof.

**1 Claim, 8 Drawing Sheets**



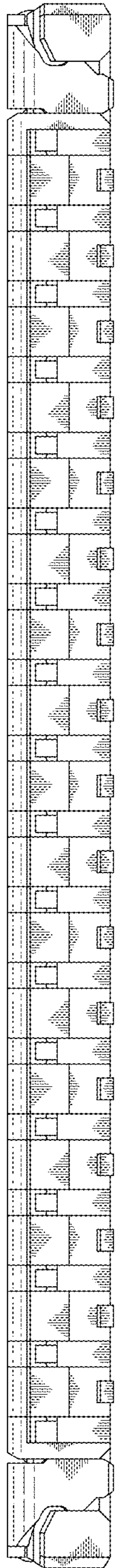


FIG.1

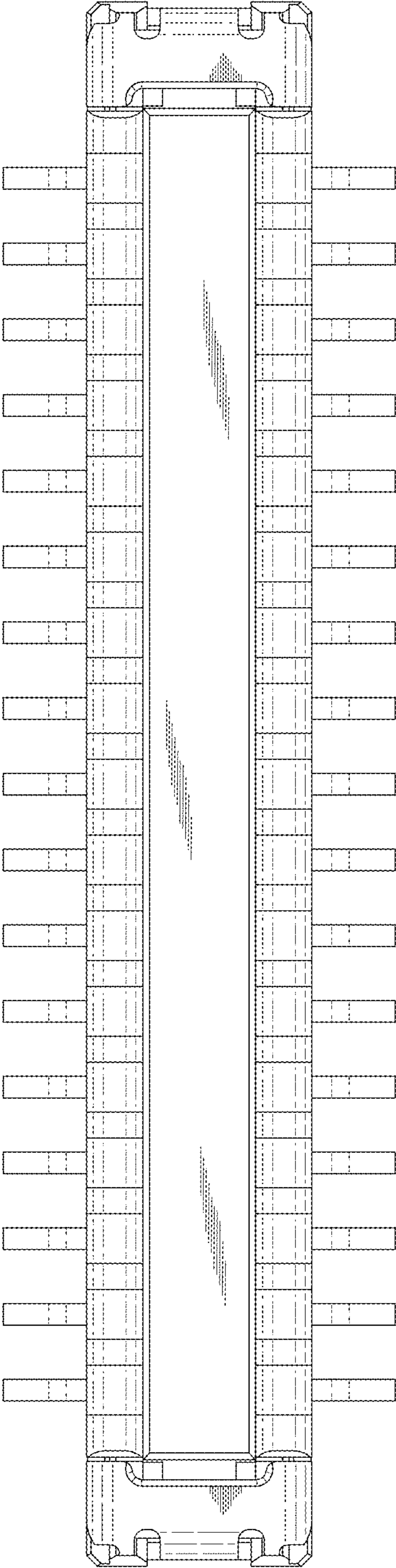


FIG.2

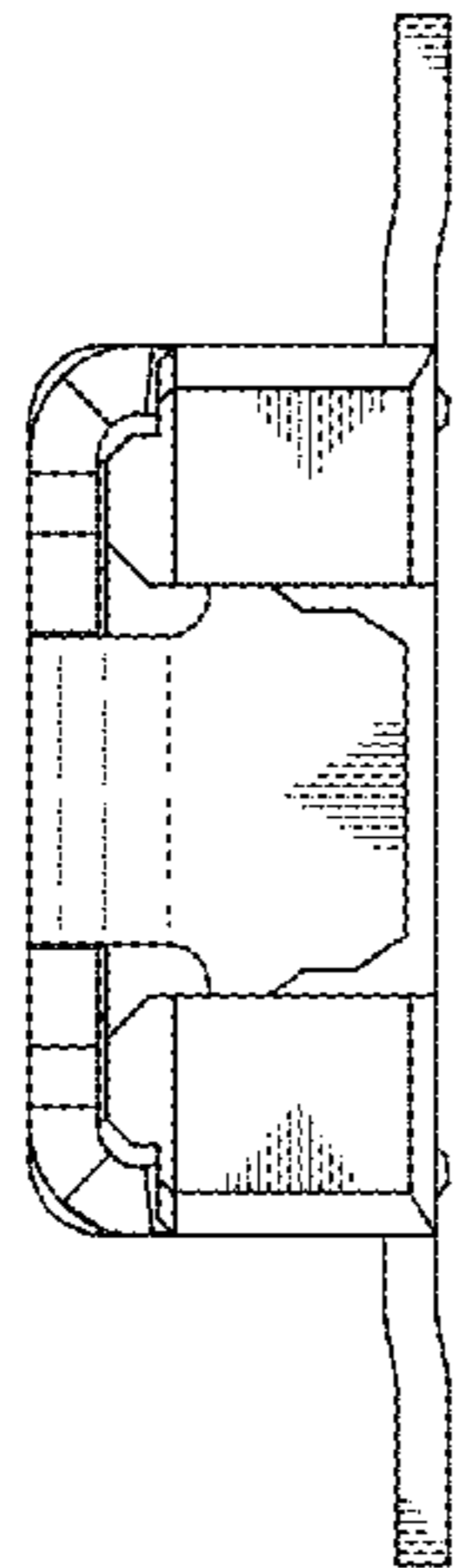


FIG.3

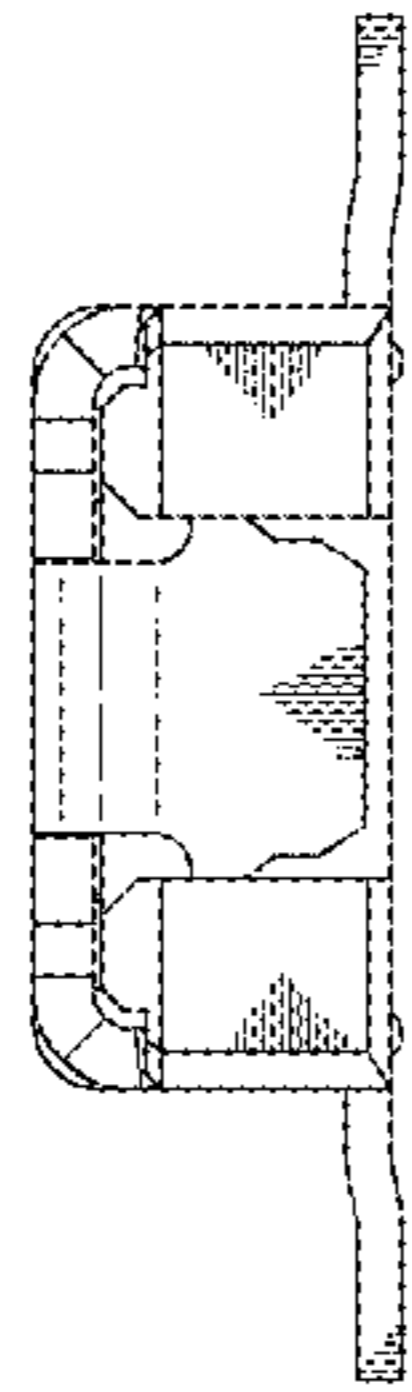


FIG.4

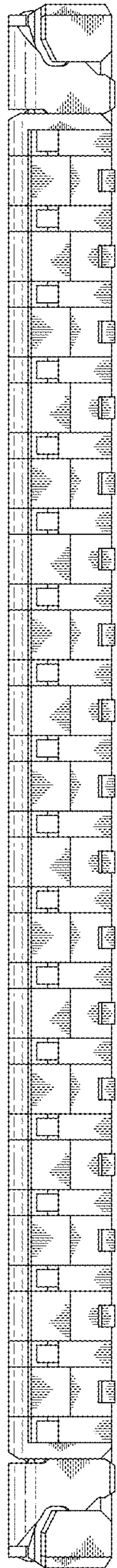


FIG.5



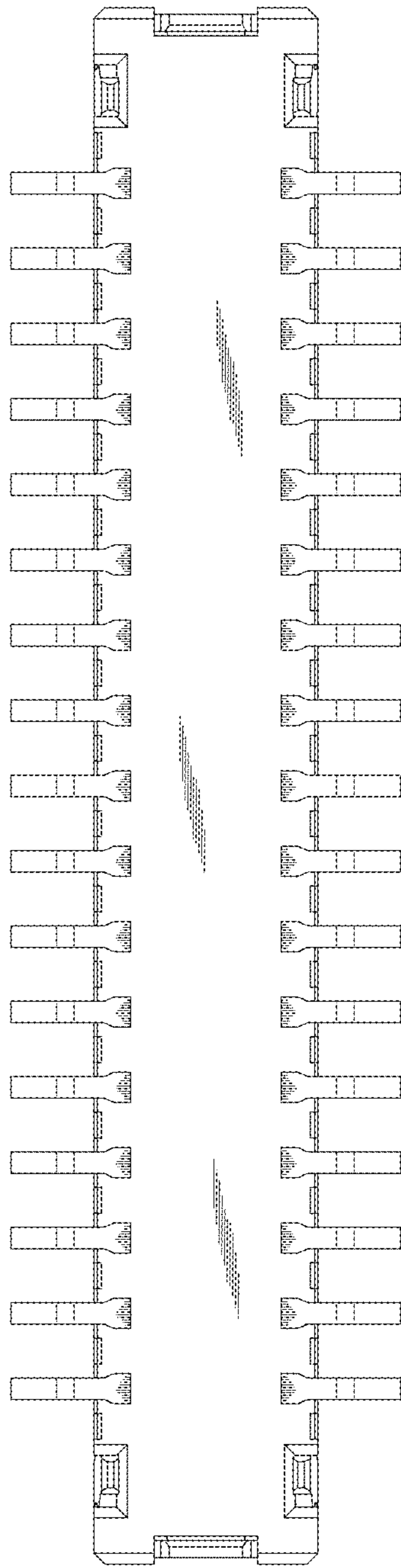


FIG.6

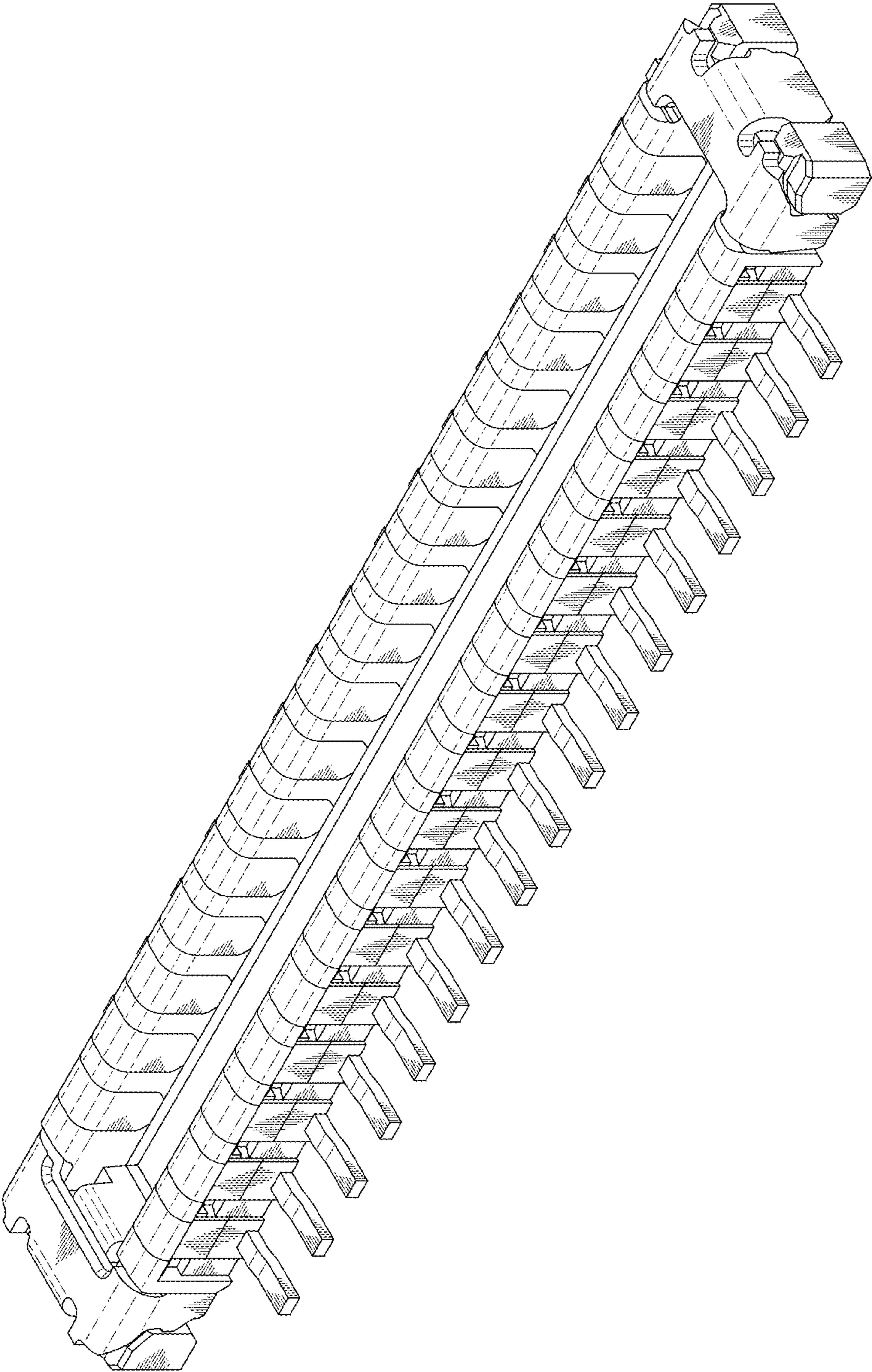


FIG.7



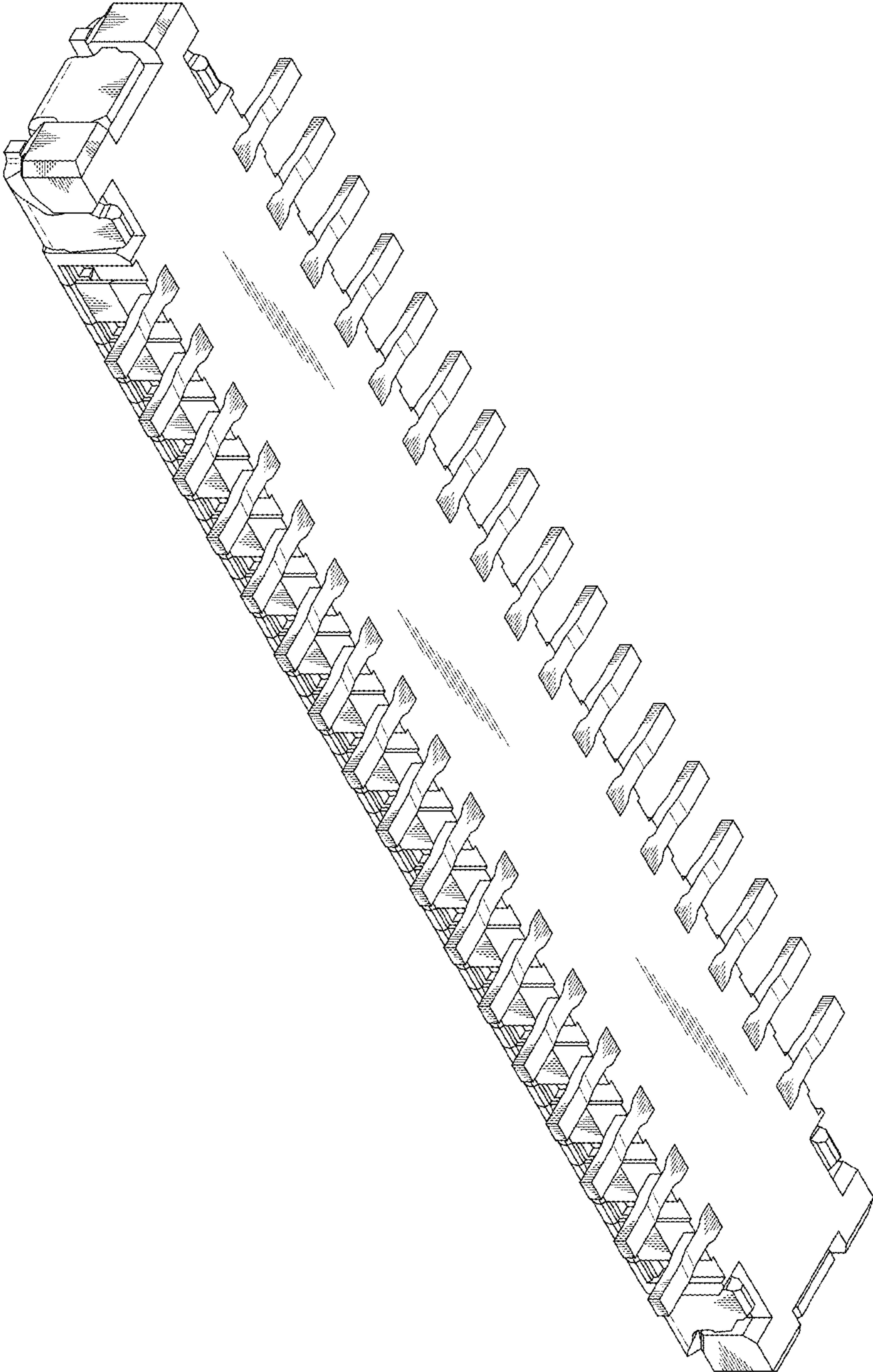


FIG.8