



US00D774461S

(12) **United States Design Patent** (10) **Patent No.:** **US D774,461 S**  
**Petricek** (45) **Date of Patent:** **\*\* Dec. 20, 2016**

(54) **CONTACT PLUGS FOR CONNECTION OF ELECTRICAL EQUIPMENT ON TOP HAT RAILS**

(71) Applicant: **Siemens Aktiengesellschaft**, Munich (DE)

(72) Inventor: **Martin Petricek**, Hollabrunn (AT)

(73) Assignee: **Siemens Aktiengesellschaft**, Munich (DE)

(\*\*) Term: **14 Years**

(21) Appl. No.: **29/510,945**

(22) Filed: **Dec. 4, 2014**

(30) **Foreign Application Priority Data**

Jun. 26, 2014 (EM) ..... 002491217

(51) **LOC (10) Cl.** ..... **13-03**

(52) **U.S. Cl.**  
USPC ..... **D13/147**

(58) **Field of Classification Search**  
USPC ..... D13/146, 147, 154, 184, 199; D14/432, D14/433, 435.1  
CPC ..... H01R 13/44; H01R 13/60; H01R 13/648; H05K 5/03

See application file for complete search history.

(56) **References Cited**

U.S. PATENT DOCUMENTS

D707,632 S \* 6/2014 Starke ..... D13/147  
D734,271 S \* 7/2015 Tosto ..... D13/147  
2012/0129368 A1 \* 5/2012 Donhauser ..... H01R 13/516  
439/137

\* cited by examiner

*Primary Examiner* — Daniel Bui

(74) *Attorney, Agent, or Firm* — Cozen O'Connor

(57) **CLAIM**

The ornamental design for a contact plugs for connection of electrical equipment on top hat rails, as shown and described.

**DESCRIPTION**

FIG. 1 is a front, right-side, bottom perspective view of a contact plugs for connection of electrical equipment on top hat rails showing my new design;

FIG. 2 is a left-side elevational view thereof;

FIG. 3 is a right-side elevational view thereof;

FIG. 4 is a bottom plan view thereof;

FIG. 5 is a top-plan view thereof;

FIG. 6 is rear elevational view thereof; and,

FIG. 7 is a front elevational view thereof.

**1 Claim, 7 Drawing Sheets**

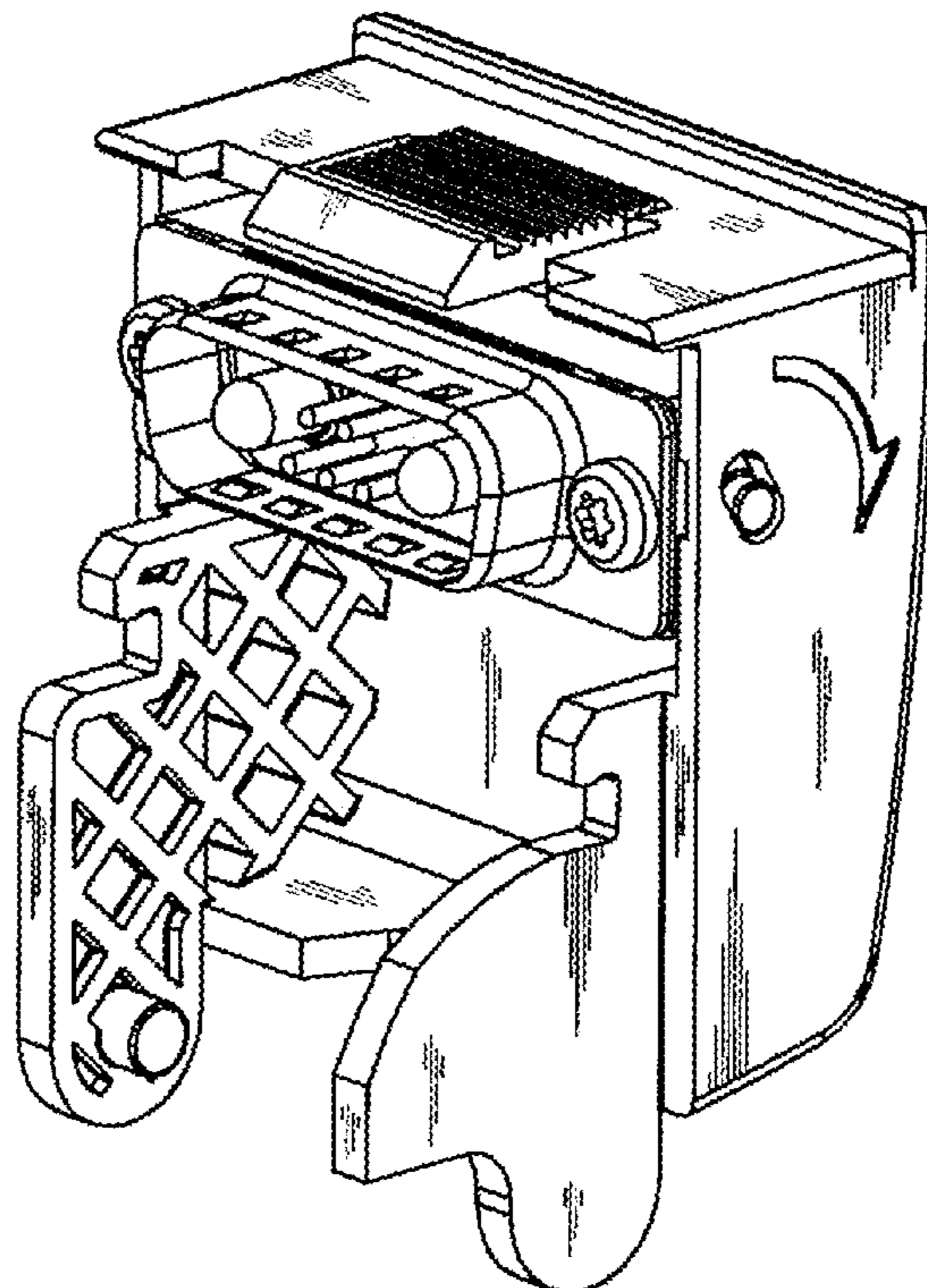


FIG 1

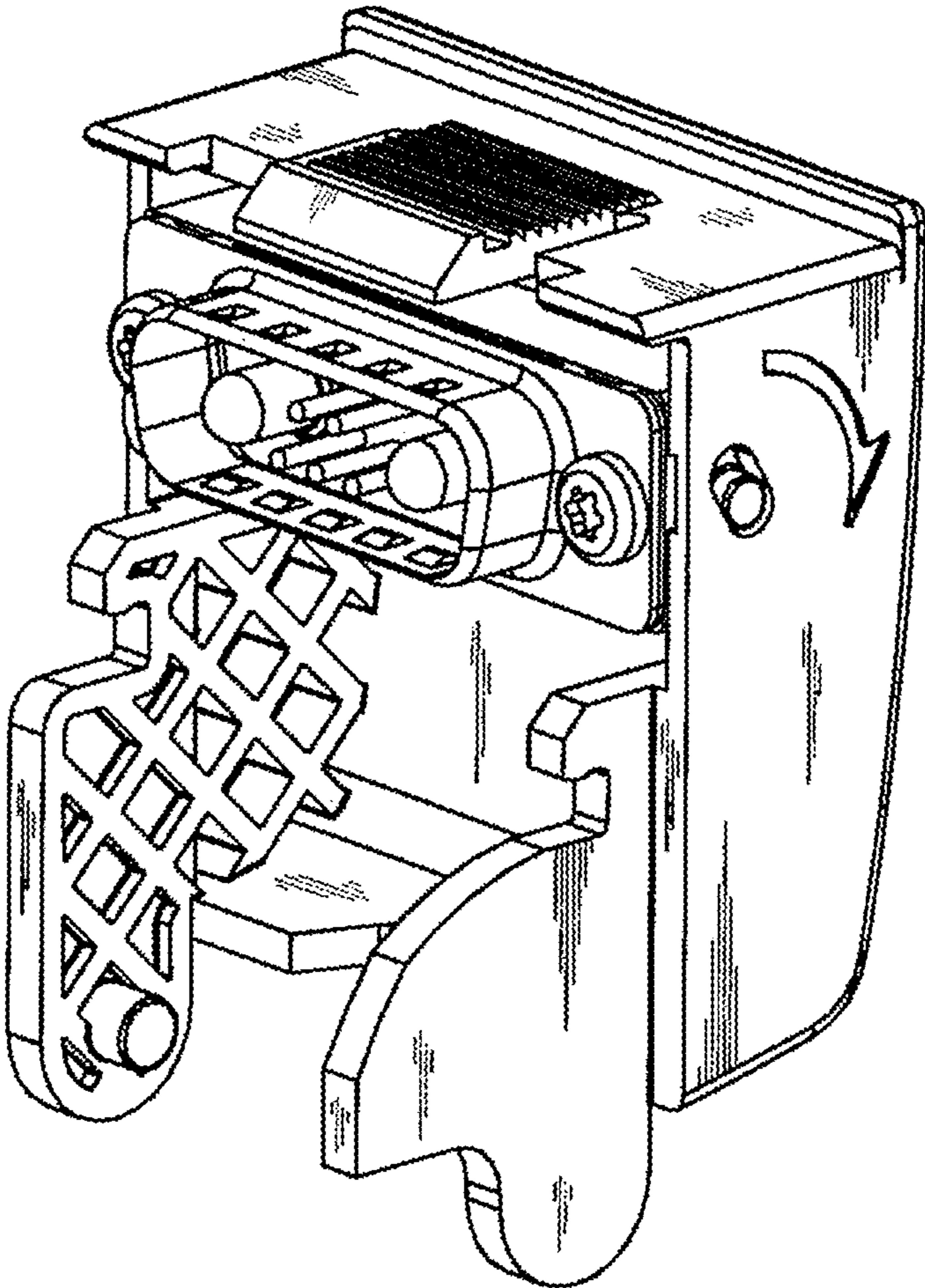


FIG 2

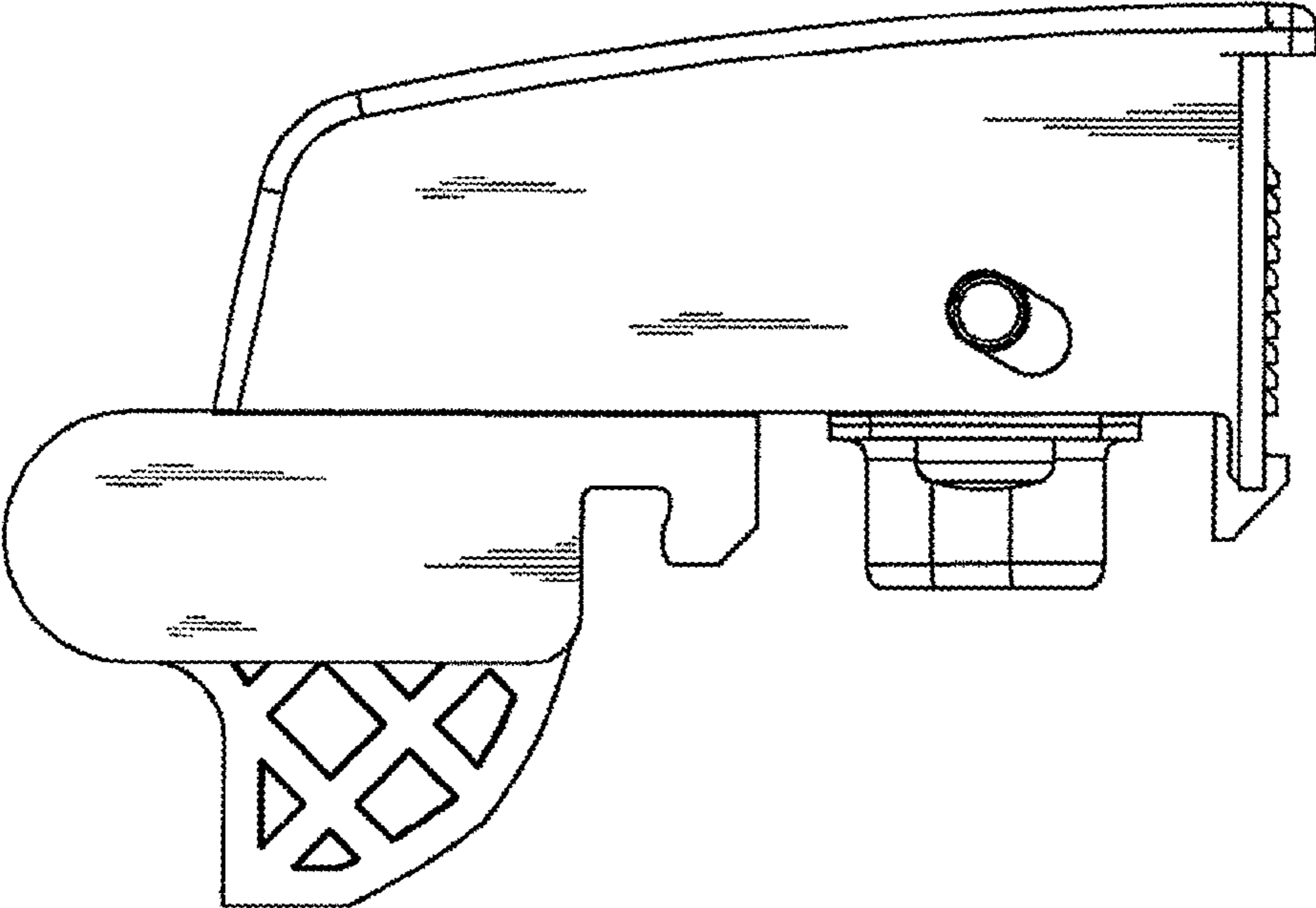


FIG 3

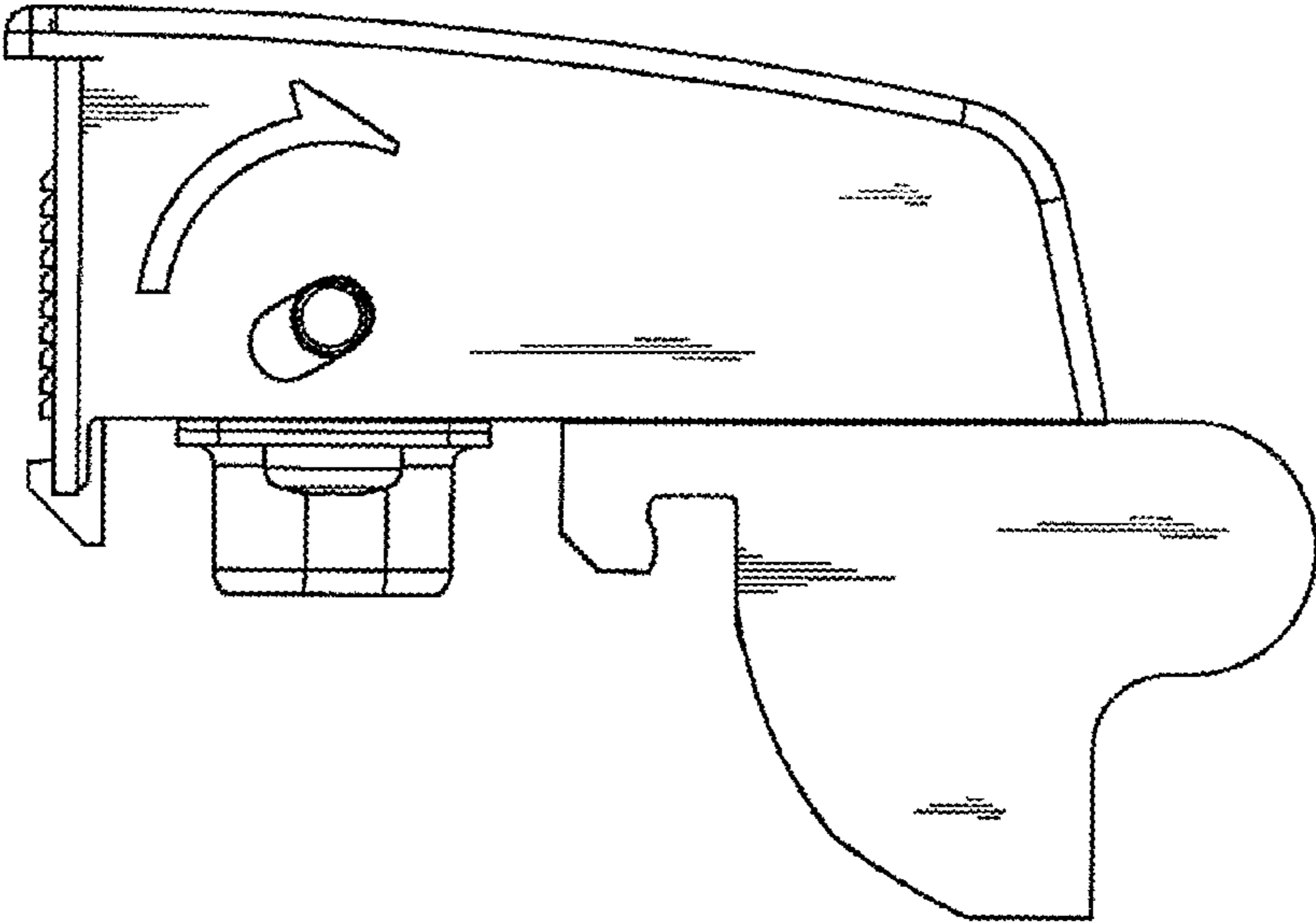


FIG 4

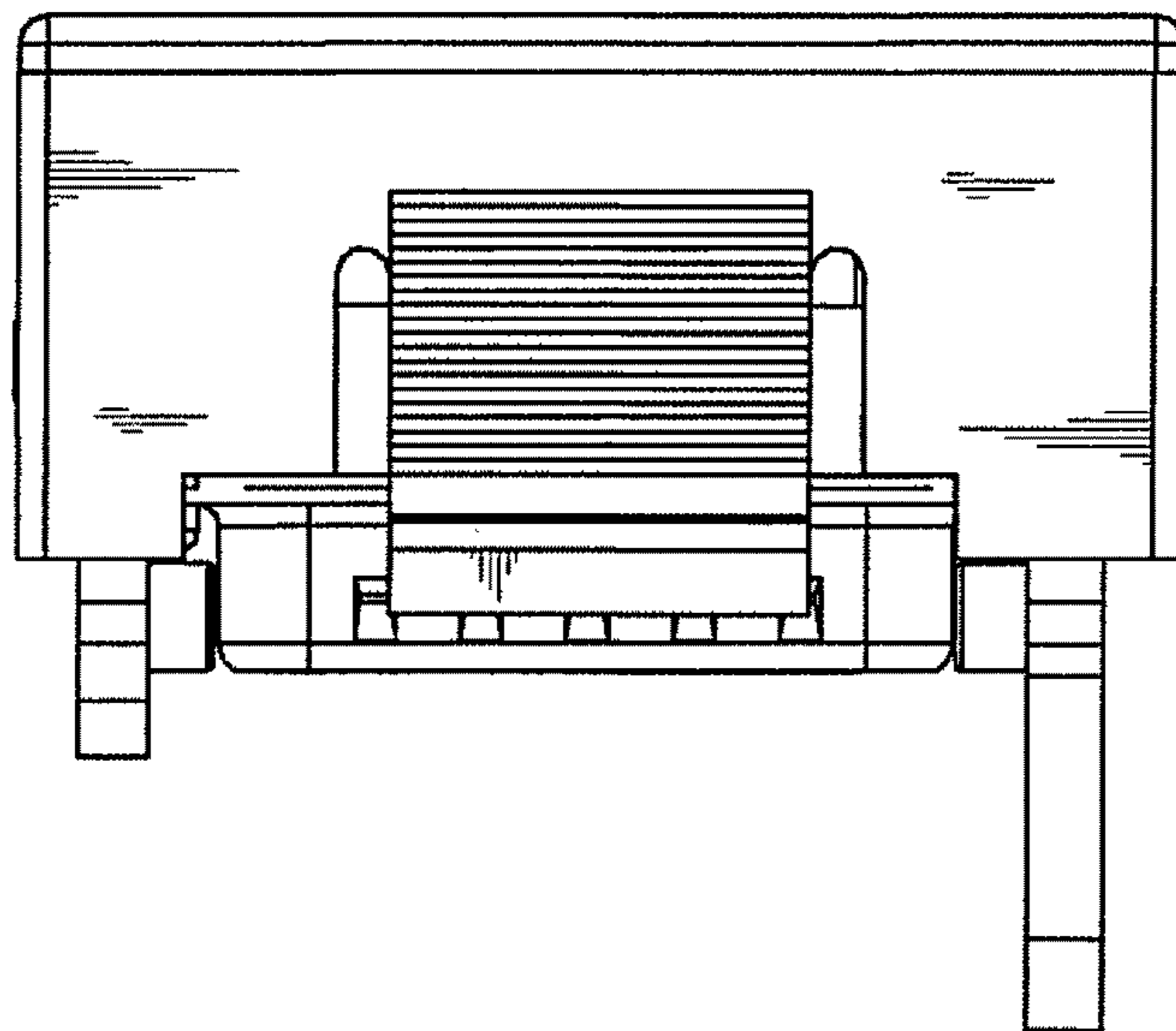


FIG 5

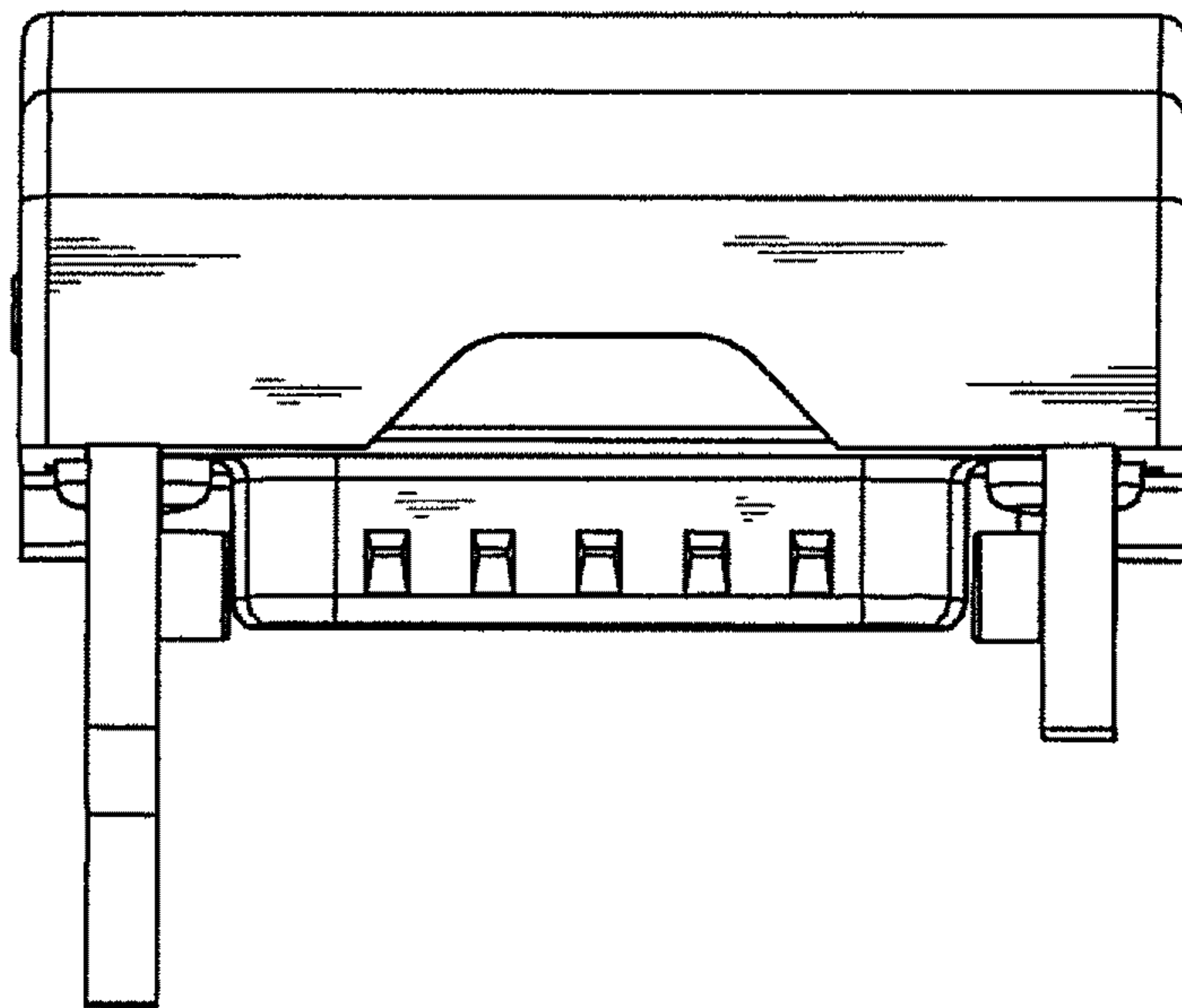


FIG 6

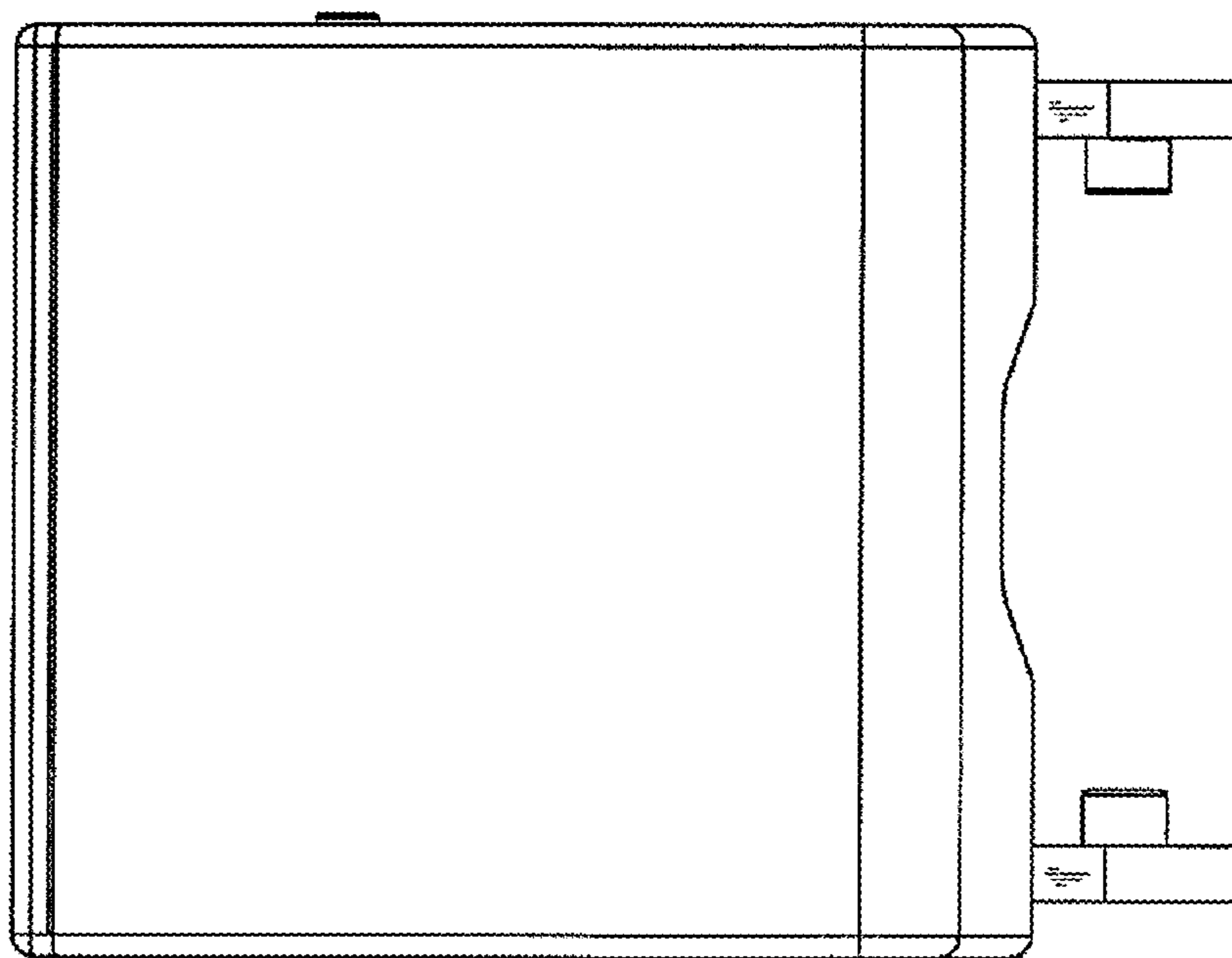


FIG 7

