



US00D774460S

(12) **United States Design Patent**
Wu et al.

(10) **Patent No.:** **US D774,460 S**

(45) **Date of Patent:** **** Dec. 20, 2016**

(54) **SHIFT ASSEMBLY MIDDLE SEAT OF SWITCH DEVICE**

(71) Applicants: **SWITCHLAB INC.**, New Taipei (TW); **SWITCHLAB (SHANGHAI) CO., LTD.**, Shanghai (CN)

(72) Inventors: **Chih-Yuan Wu**, New Taipei (TW); **Wen-Bing Hsu**, New Taipei (TW)

(73) Assignees: **Switchlab Inc.**, New Taipei (TW); **Switchlab (Shanghai) Co., Ltd.**, Shanghai (CN)

(**) Term: **14 Years**

(21) Appl. No.: **29/520,225**

(22) Filed: **Mar. 12, 2015**

(30) **Foreign Application Priority Data**

Sep. 19, 2014 (TW) 103305530

(51) **LOC (10) Cl.** **13-03**

(52) **U.S. Cl.**
USPC **D13/146**

(58) **Field of Classification Search**
USPC .. D13/133, 146, 147, 154, 184, 199; 74/529
CPC H02B 1/044; G05G 5/08
See application file for complete search history.

(56) **References Cited**

U.S. PATENT DOCUMENTS

D447,117 S *	8/2001	Ko	D13/133
D457,496 S *	5/2002	Ko	D13/133
D576,952 S *	9/2008	Hung	D13/133
D609,191 S *	2/2010	Feldvoss	D13/154
D743,337 S *	11/2015	Suzuki	D13/133
2015/0303658 A1 *	10/2015	Wu	H01H 9/08 74/529

* cited by examiner

Primary Examiner — Daniel Bui

(74) *Attorney, Agent, or Firm* — Rosenberg, Klein & Lee

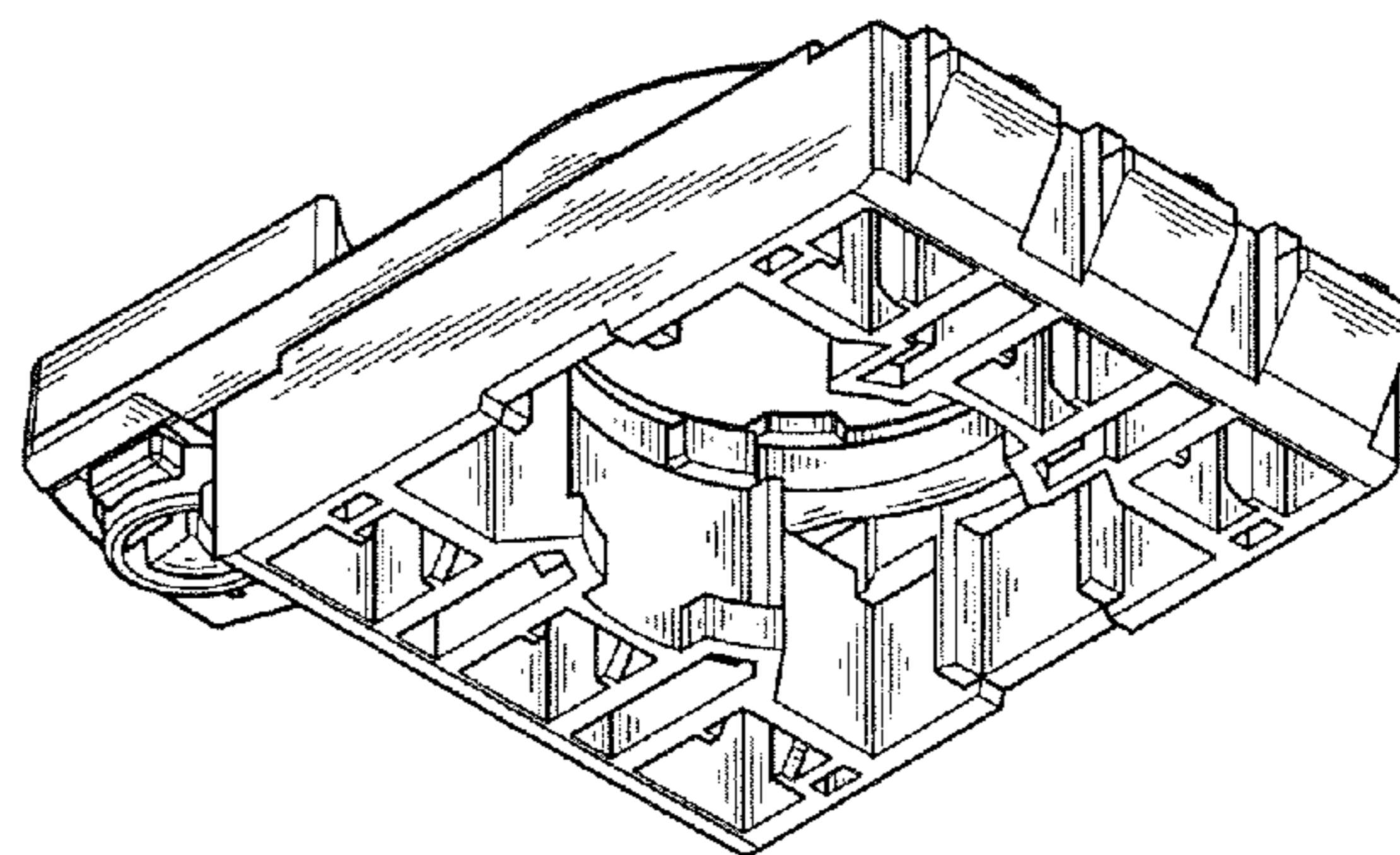
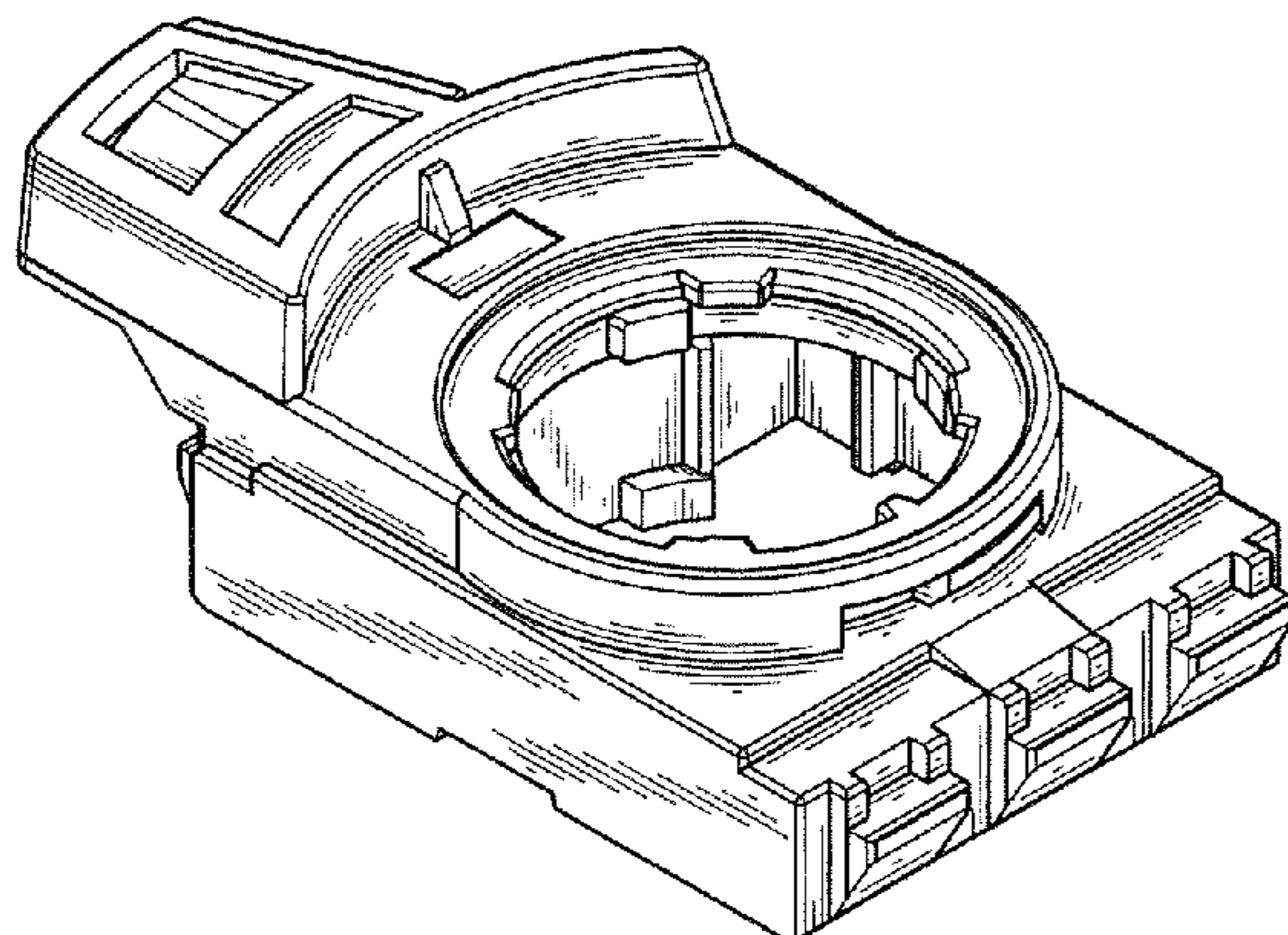
(57) **CLAIM**

The ornamental design for a shift assembly middle seat of switch device, shown and described.

DESCRIPTION

FIG. 1 is a front side perspective view showing our new design for a shift assembly middle seat of switch device; FIG. 2 is a front elevational view thereof; FIG. 3 is a rear elevational view thereof; FIG. 4 is a left side elevational view thereof; FIG. 5 is a right side elevational view thereof; FIG. 6 is a top view thereof; FIG. 7 is a bottom view thereof; and, FIG. 8 is a bottom side perspective view thereof.

1 Claim, 8 Drawing Sheets



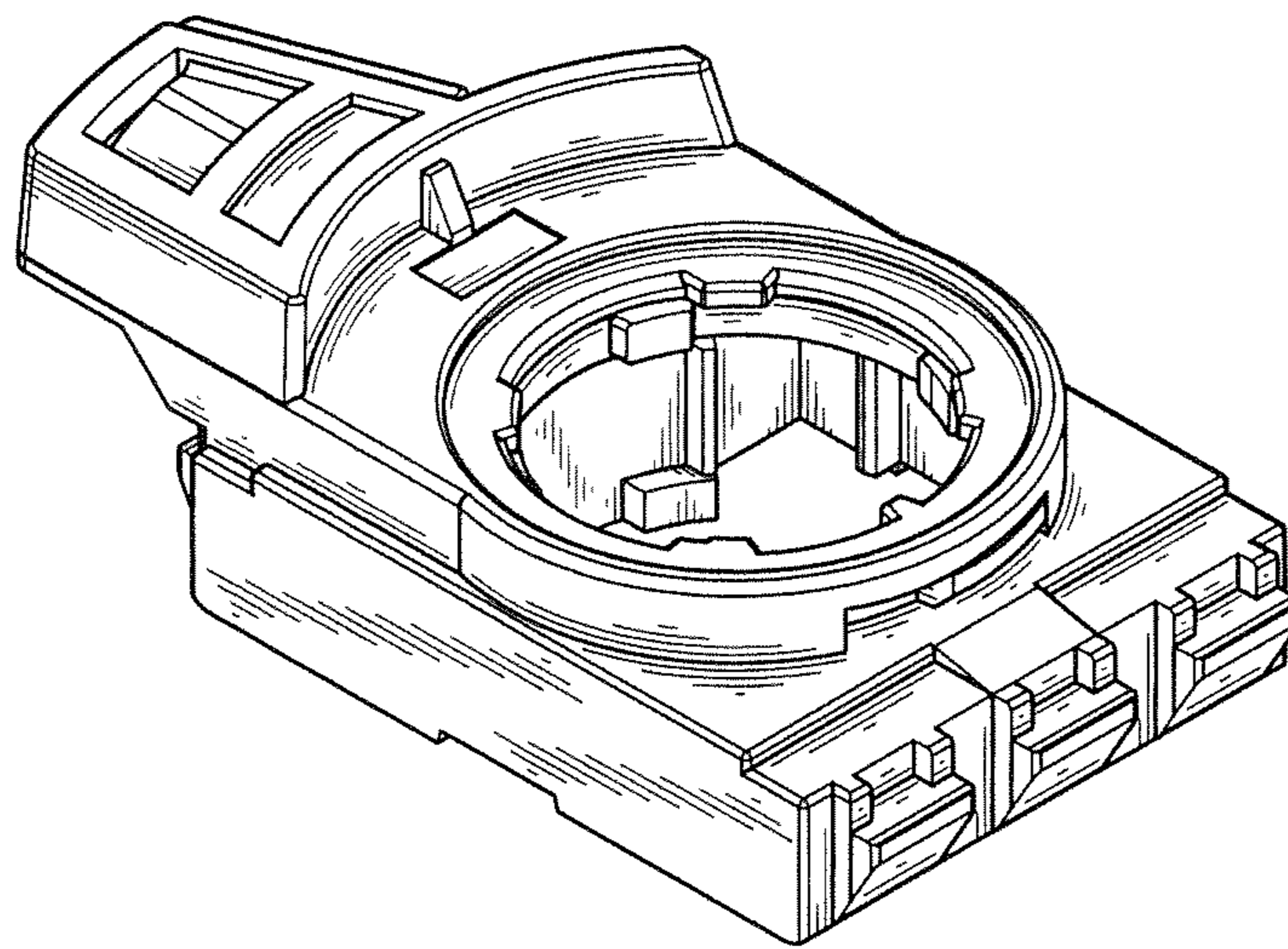


Fig. 1

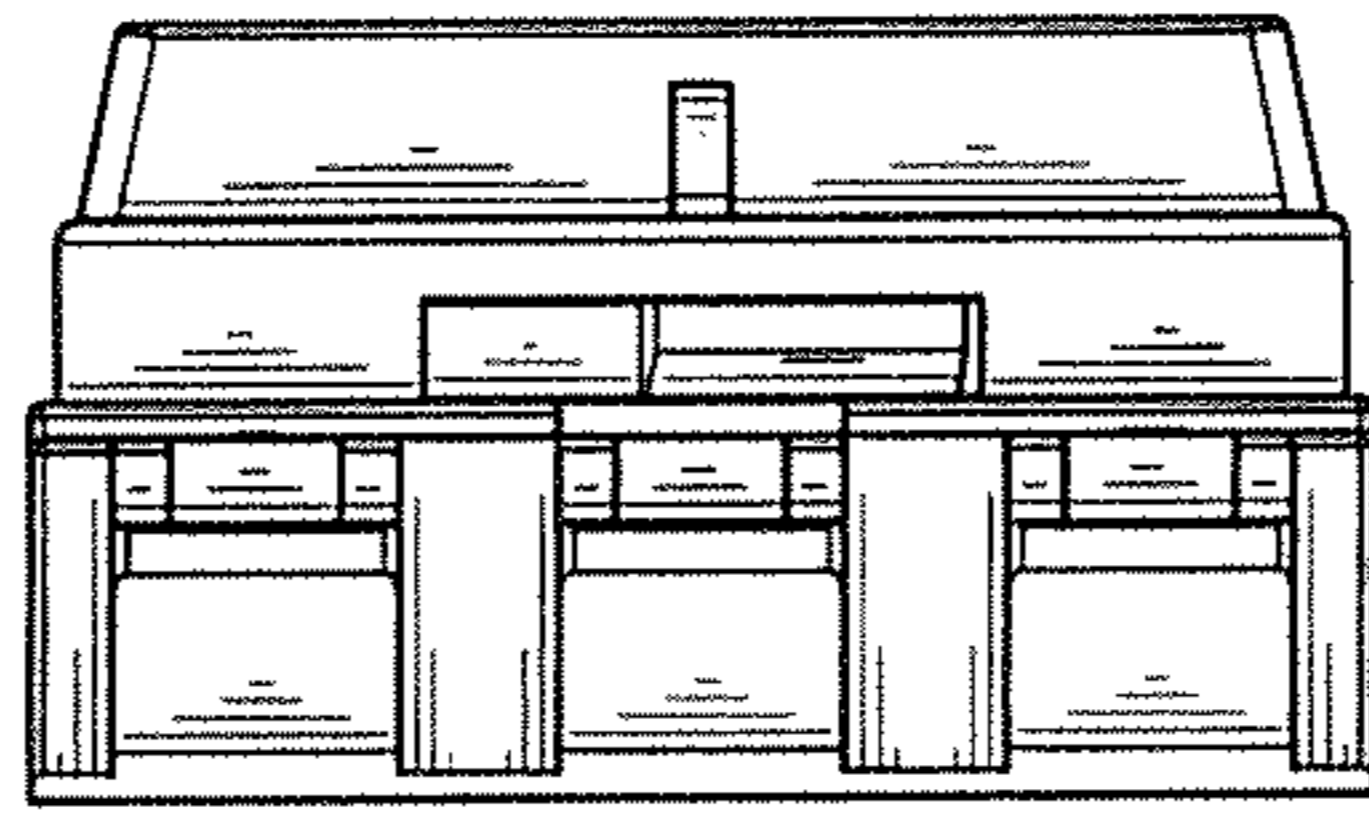


Fig. 2

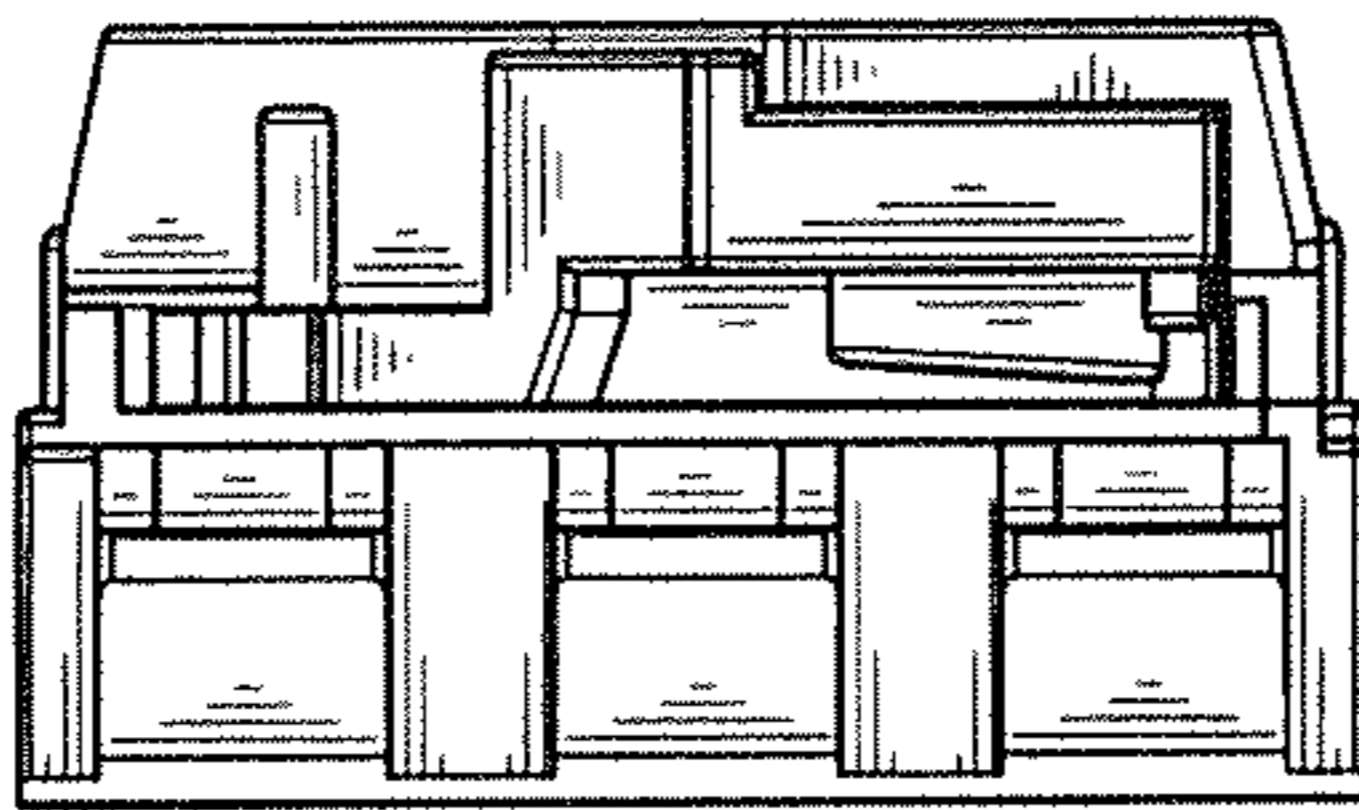


Fig. 3

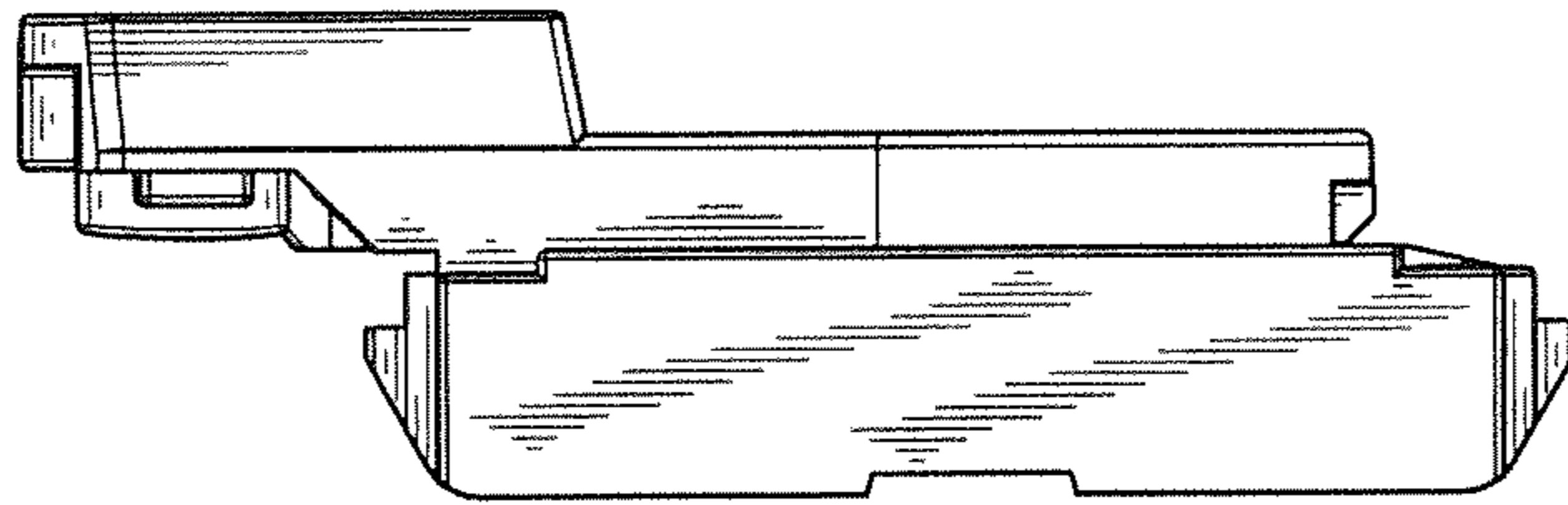


Fig. 4

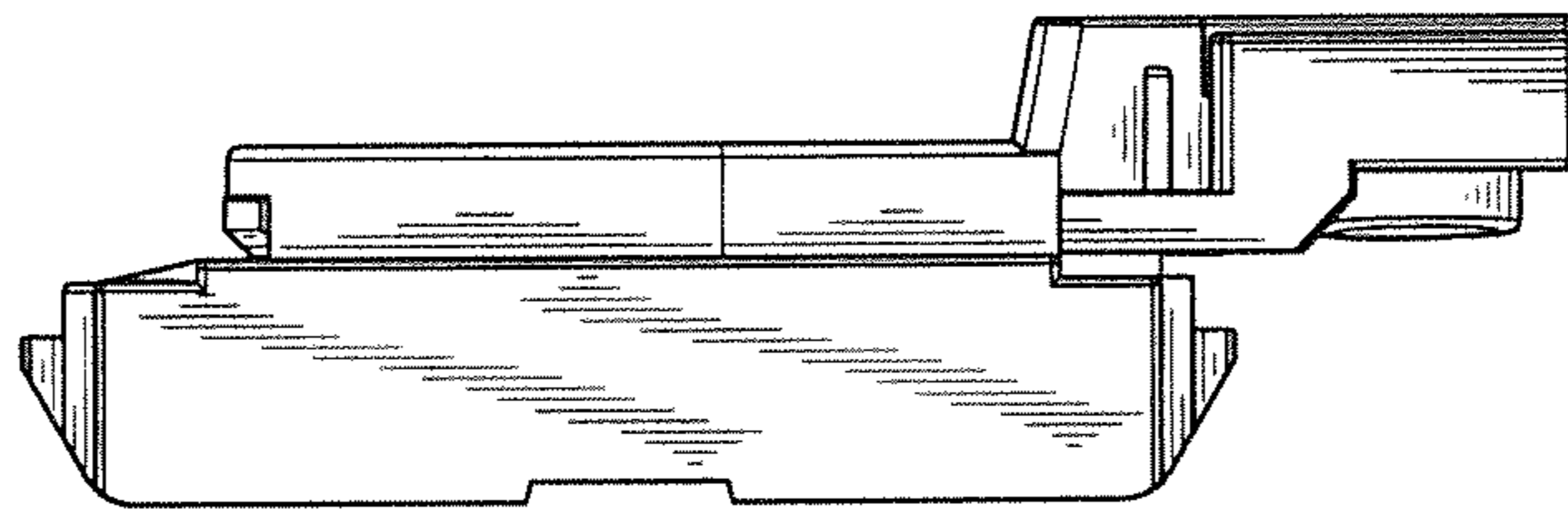


Fig. 5

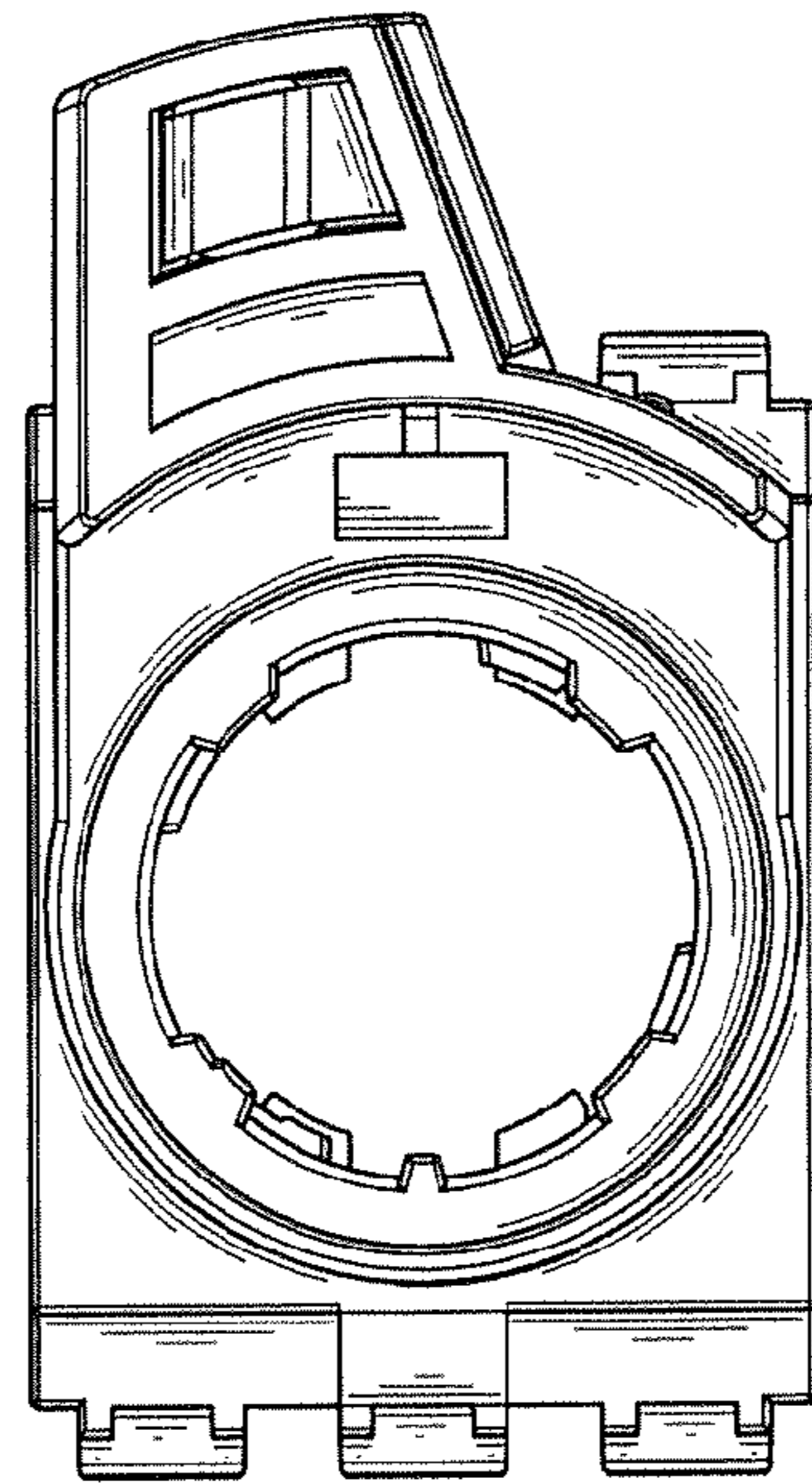


Fig. 6

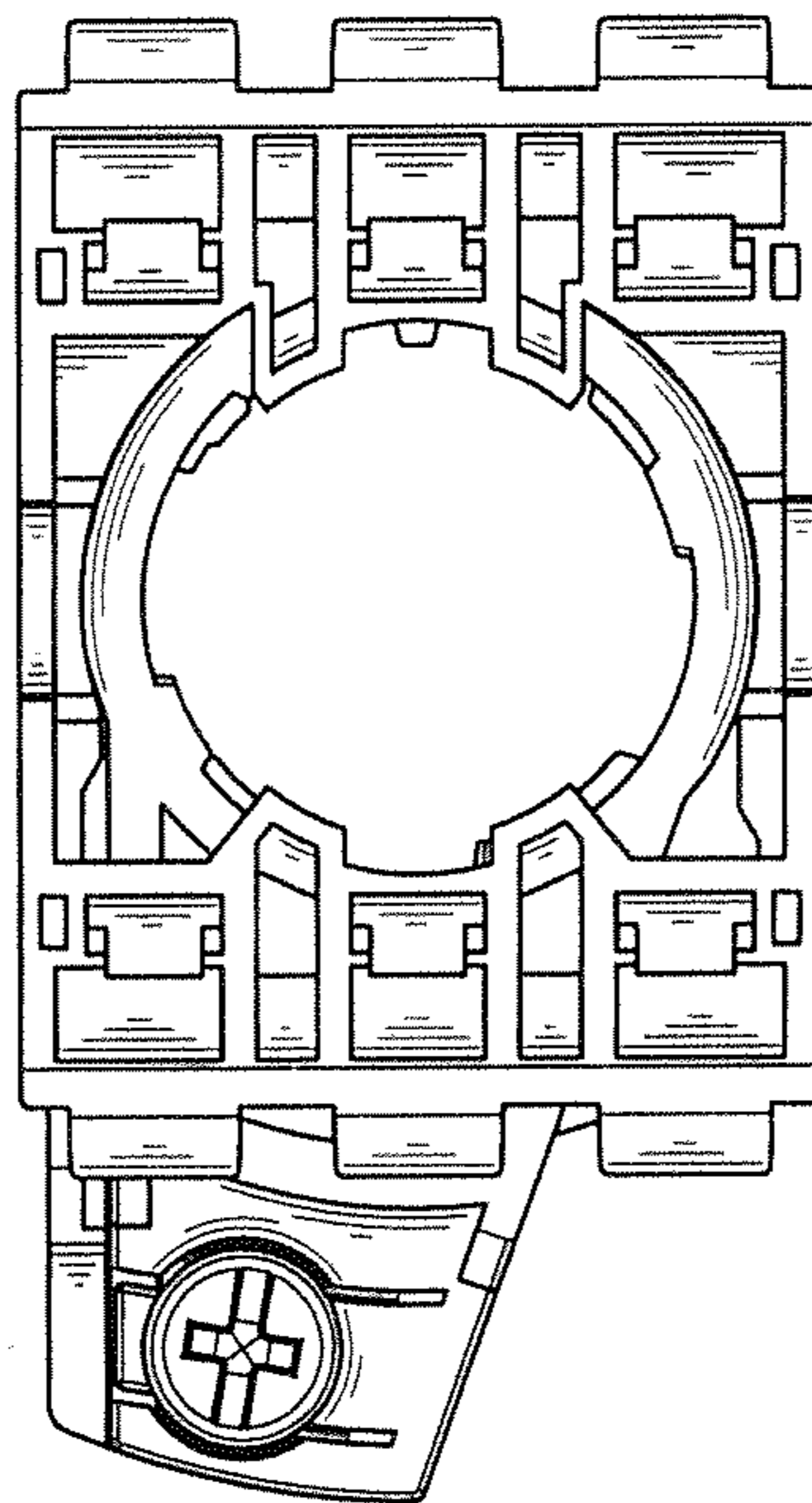


Fig. 7

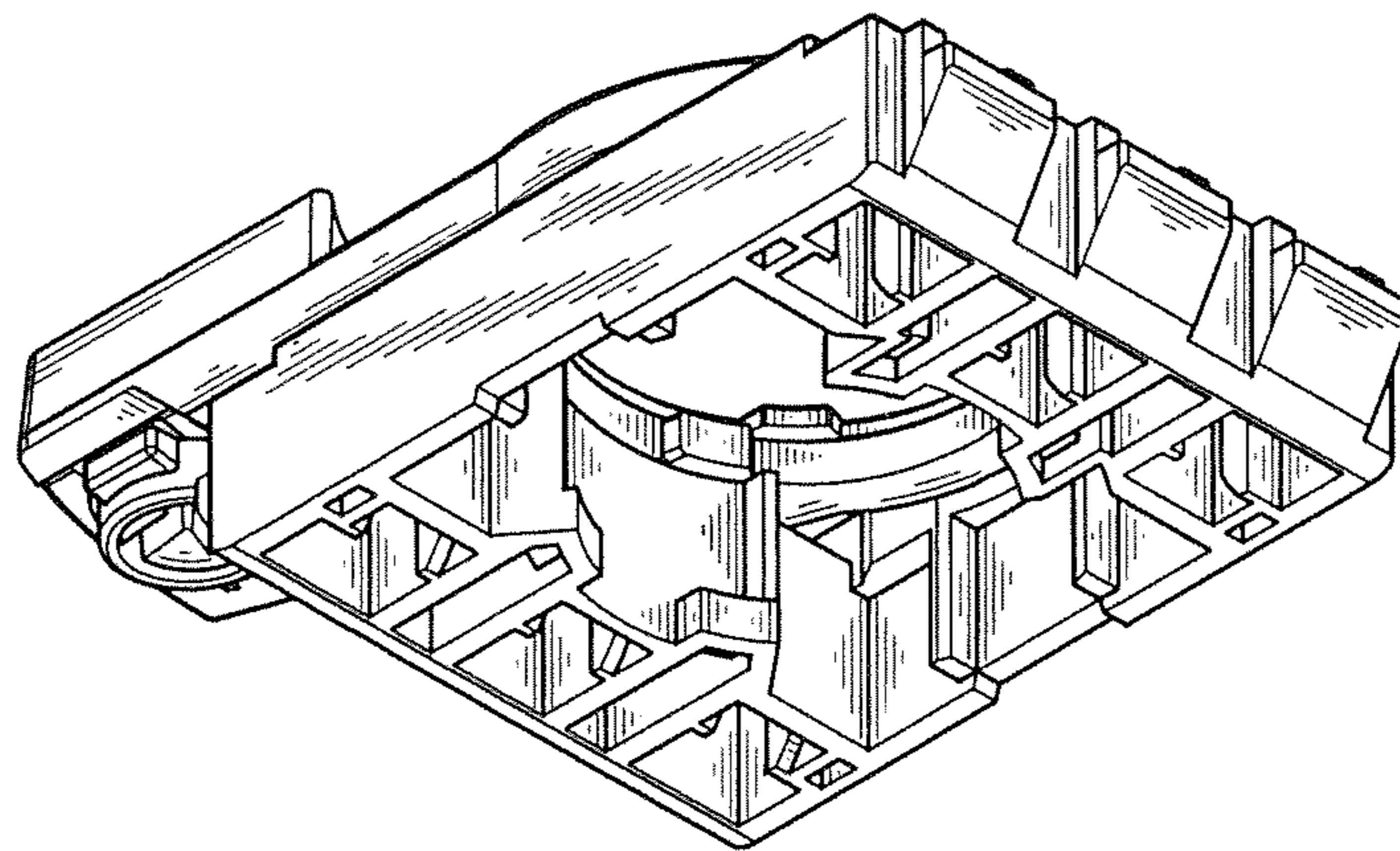


Fig. 8