



US00D774458S

(12) **United States Design Patent**
Naarup

(10) **Patent No.:** **US D774,458 S**

(45) **Date of Patent:** **** Dec. 20, 2016**

(54) **LAMP CONNECTOR**

(71) Applicant: **Gary Naarup**, Green Bay, WI (US)

(72) Inventor: **Gary Naarup**, Green Bay, WI (US)

(**) Term: **14 Years**

(21) Appl. No.: **29/521,884**

(22) Filed: **Mar. 26, 2015**

(51) **LOC (10) Cl.** **13-03**

(52) **U.S. Cl.**
USPC **D13/134**; D13/146

(58) **Field of Classification Search**
USPC D13/118, 120, 123, 133-135, 146,
D13/149, 154, 156, 173, 184, 199;
D26/1-3, 133
CPC A61L 9/00; A61L 9/20; A61L 9/015;
A61L 2209/212; A61L 2202/11; H01K
1/16; H01K 1/24; H01K 1/42; H01K
5/00; H01K 5/02; H01R 33/00; H01R
33/08; H01R 33/09
See application file for complete search history.

(56) **References Cited**

U.S. PATENT DOCUMENTS

D209,146 S * 11/1967 Duvall et al. D13/134
D292,395 S * 10/1987 Waters D13/138.1
D313,969 S * 1/1991 Lacroix D13/133

D314,943 S * 2/1991 Tajima D13/147
D350,955 S * 9/1994 Pucci D13/146
6,109,953 A * 8/2000 Hashigaya H01R 33/09
439/457
6,536,929 B1 * 3/2003 Forgacs H01K 1/42
362/197
D475,014 S * 5/2003 Kano D13/133
D633,049 S * 2/2011 Arai D13/147
D673,322 S * 12/2012 Van De Ven D26/113
D698,320 S * 1/2014 Condo D13/154
D765,030 S * 8/2016 Tyler D13/119
2005/0226762 A1 * 10/2005 Naarup A61L 9/20
422/4

* cited by examiner

Primary Examiner — Thomas Johannes
Assistant Examiner — Shawn T Gingrich
(74) *Attorney, Agent, or Firm* — Donald J. Ersler

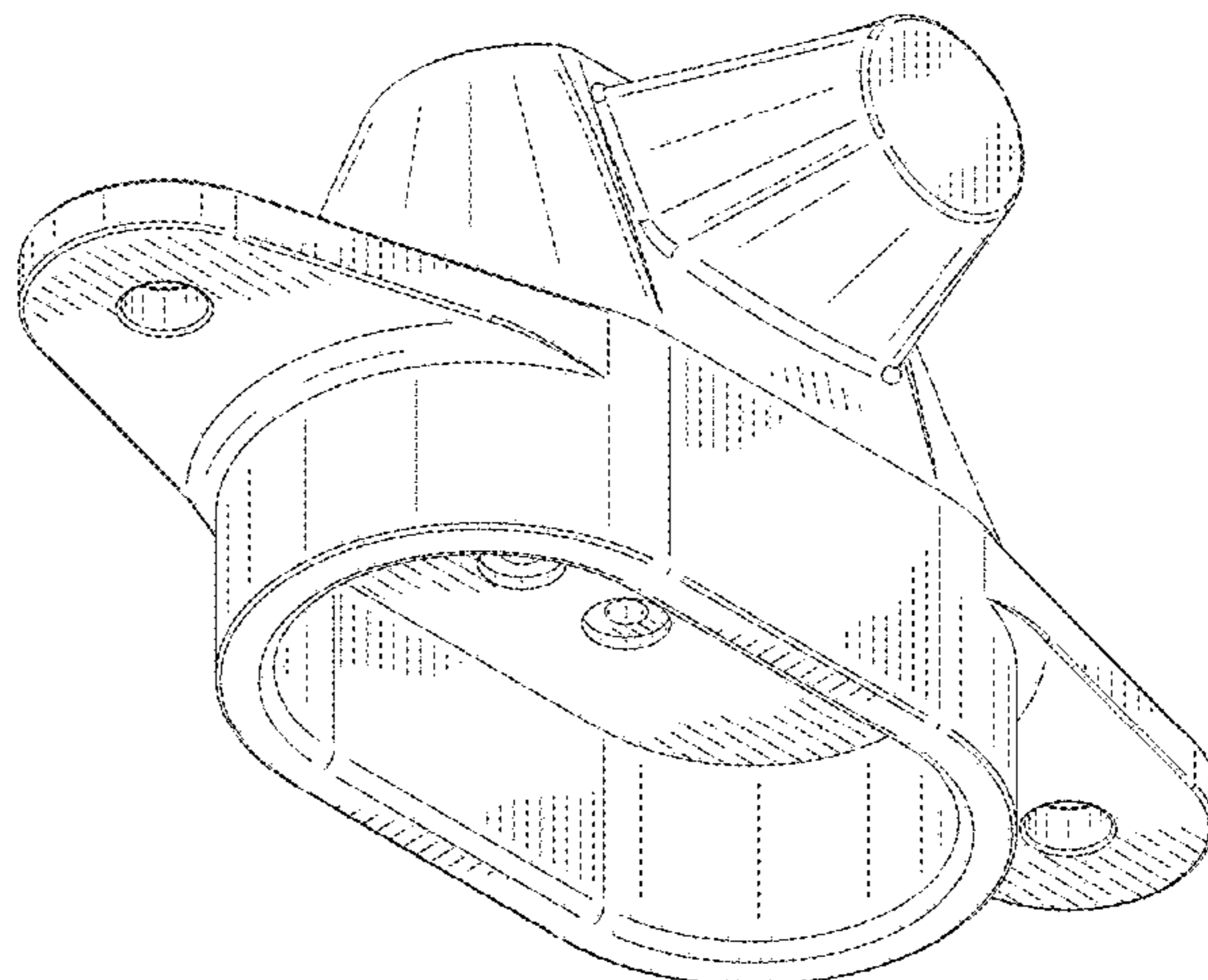
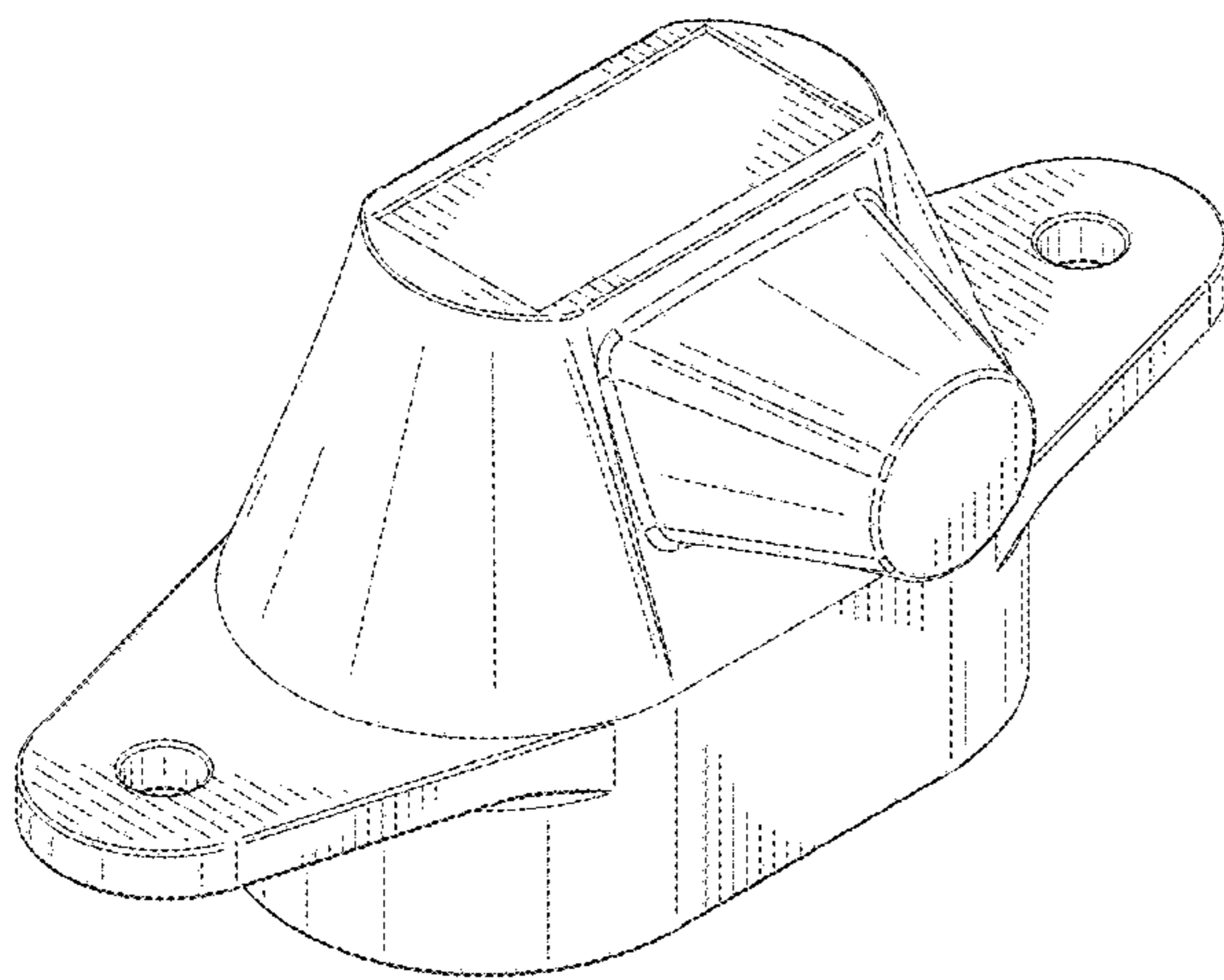
(57) **CLAIM**

The ornamental design for the lamp connector, as shown and described.

DESCRIPTION

FIG. 1 is a perspective view of a lamp connector incorporating my new design;
FIG. 2 is a bottom perspective view thereof;
FIG. 3 is a top plan view thereof;
FIG. 4 is a bottom plan view thereof;
FIG. 5 is a left side view thereof; and,
FIG. 6 is a front elevation view thereof.

1 Claim, 6 Drawing Sheets



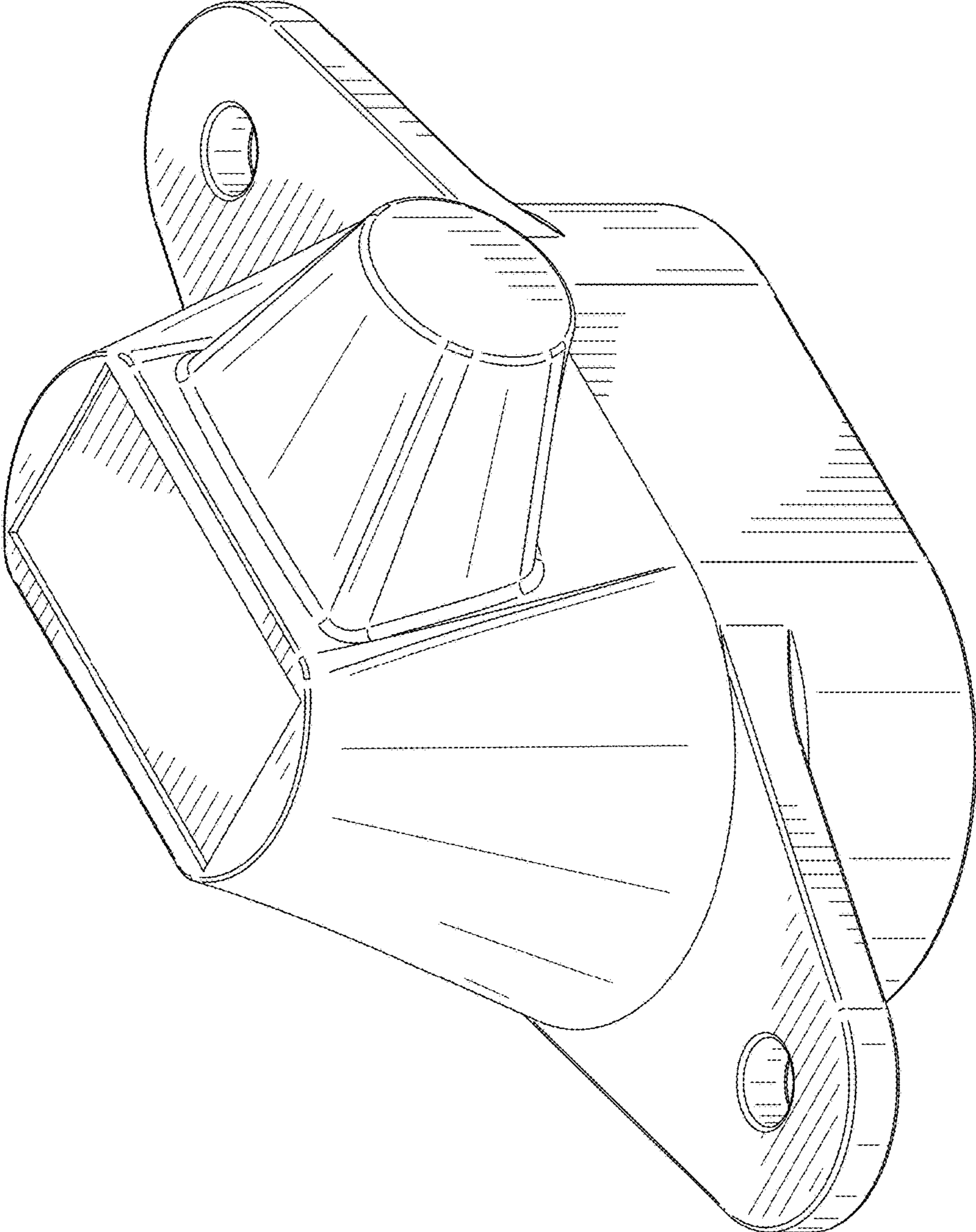


FIG. 1

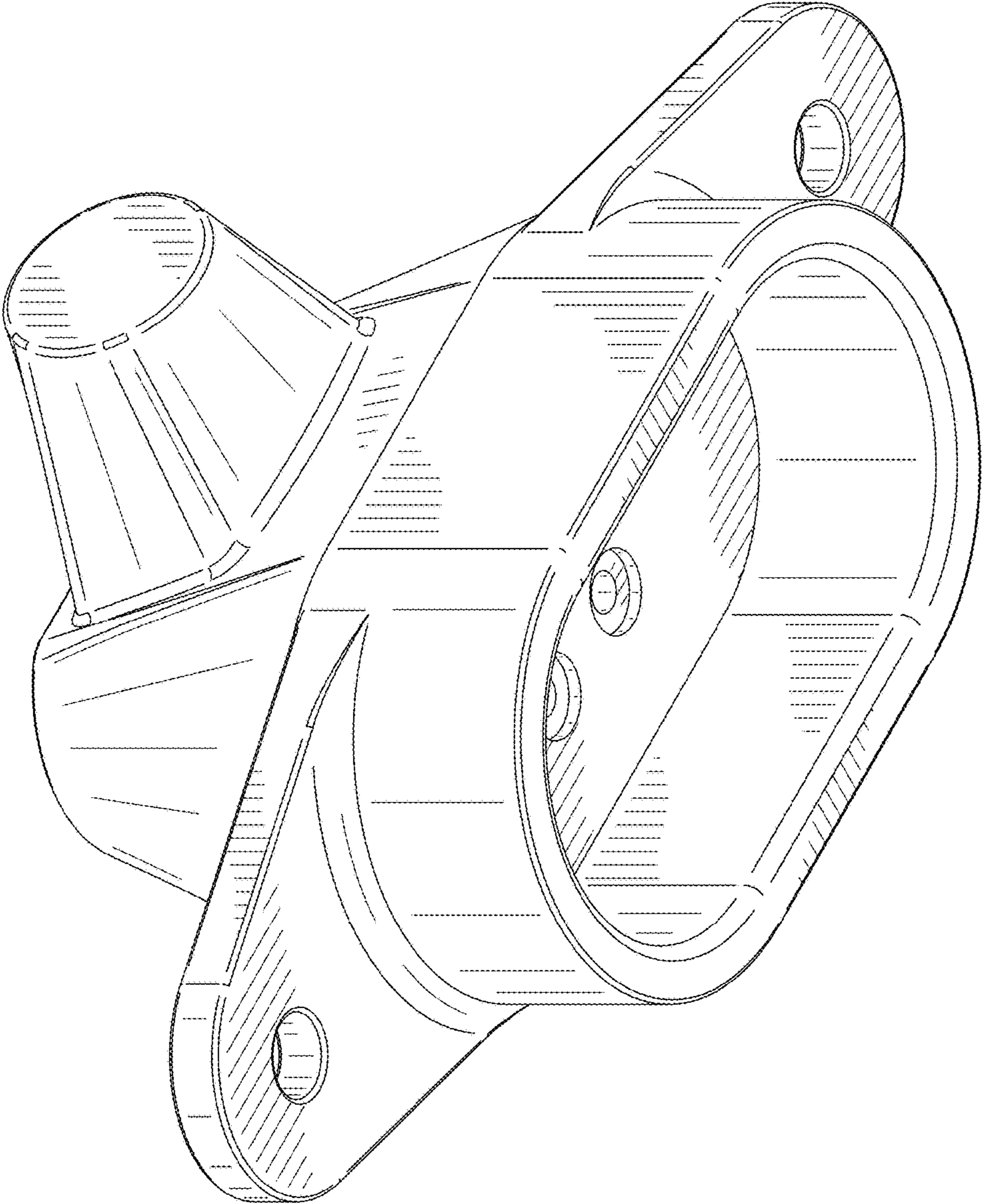


FIG. 2

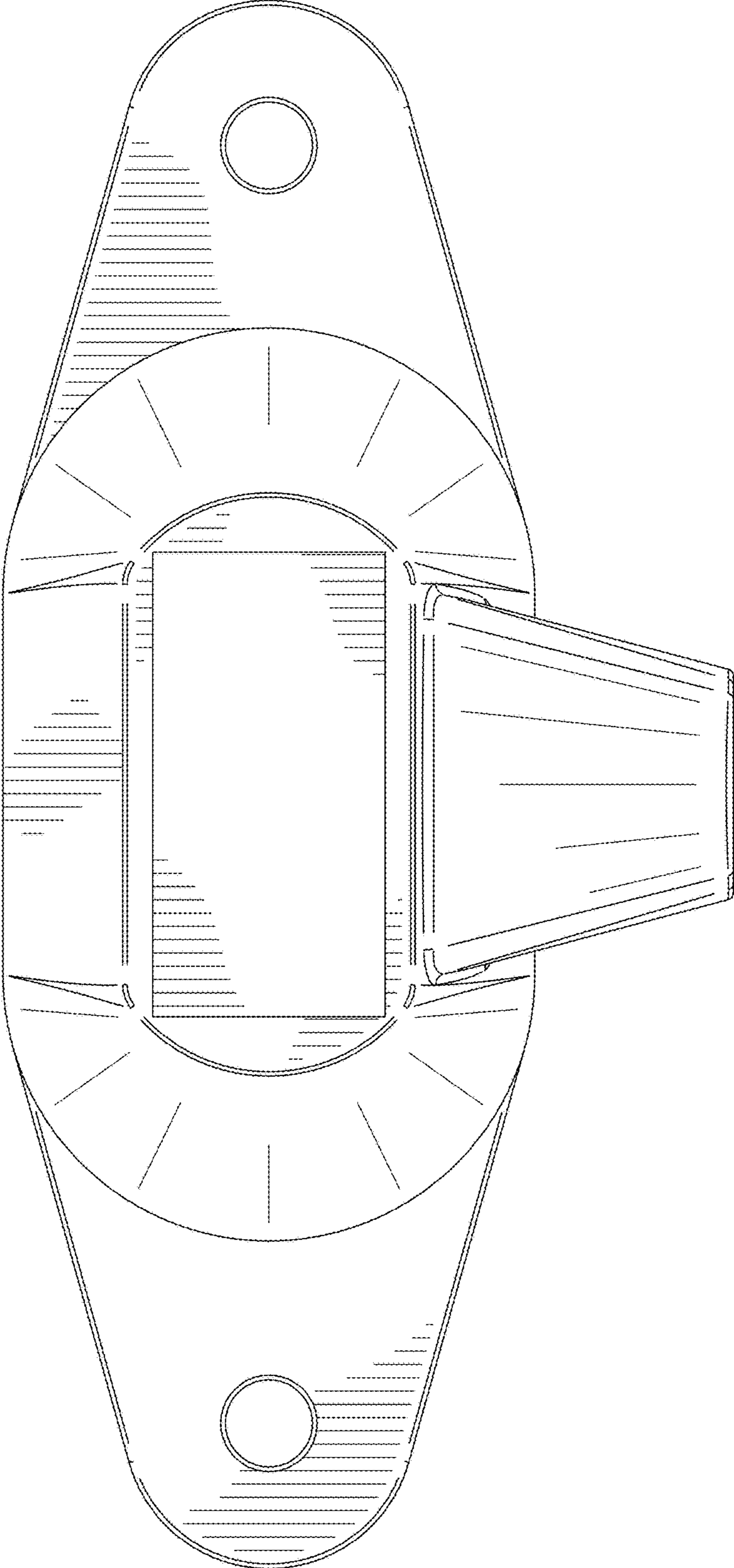


FIG. 3

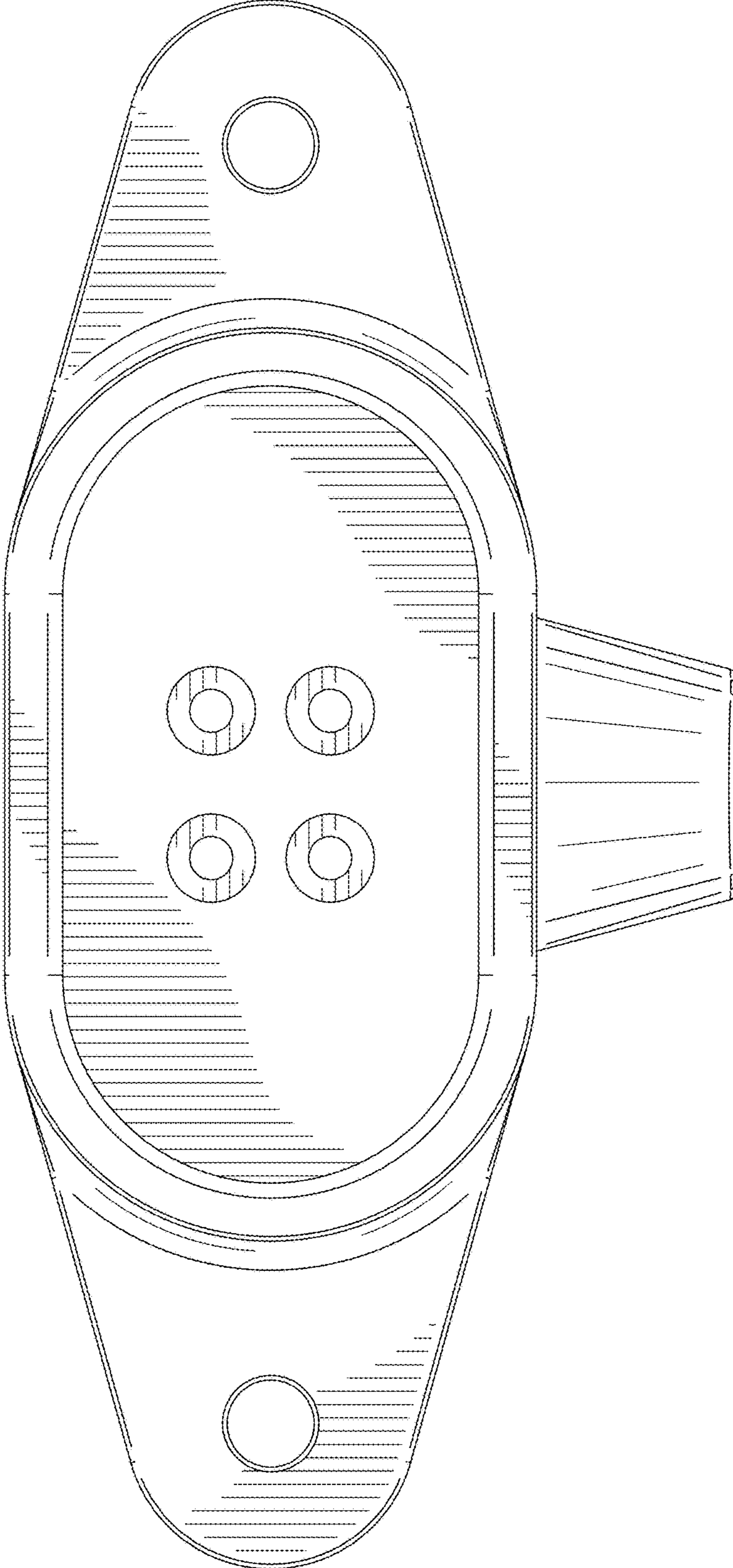


FIG. 4

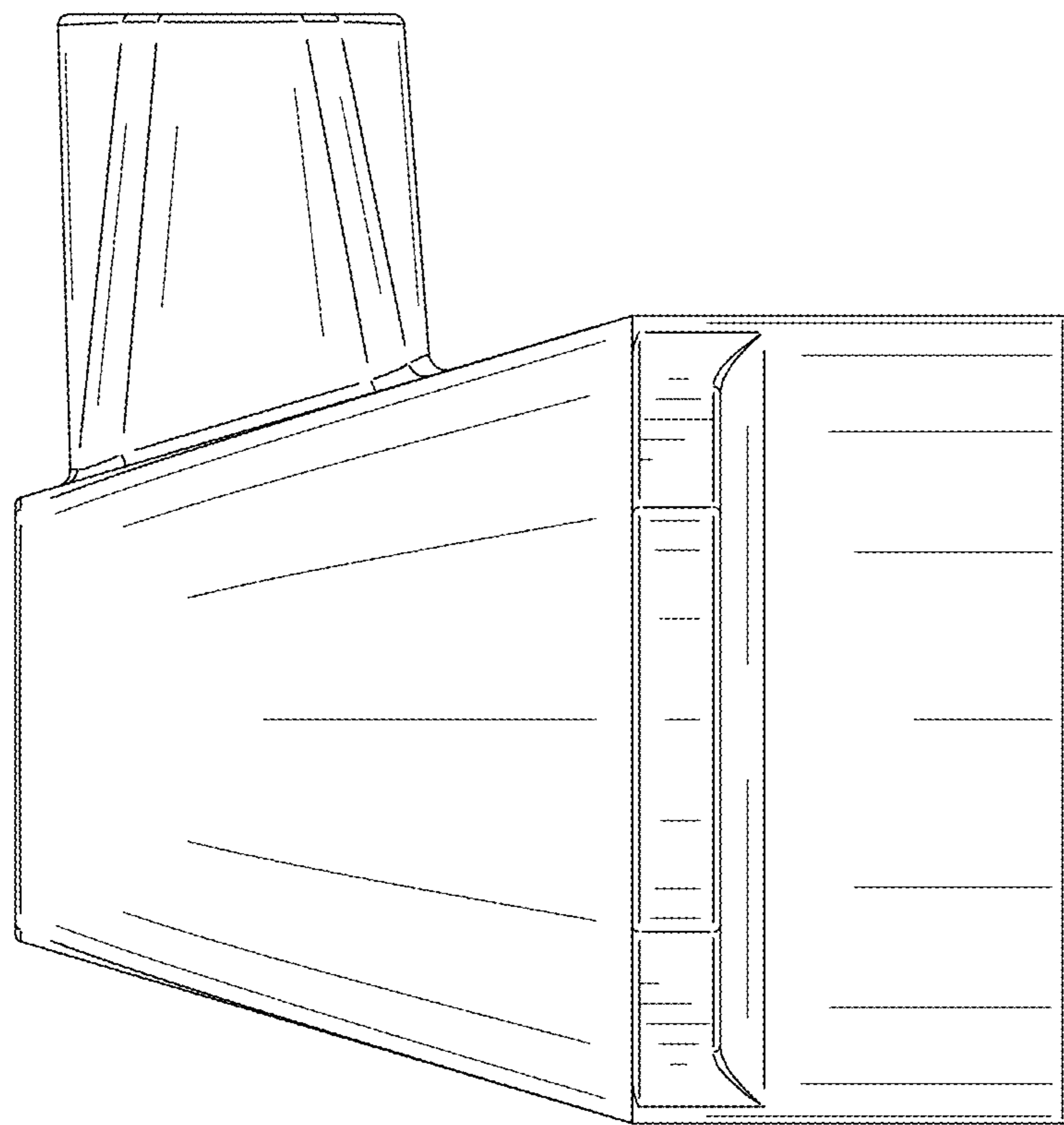


FIG. 5

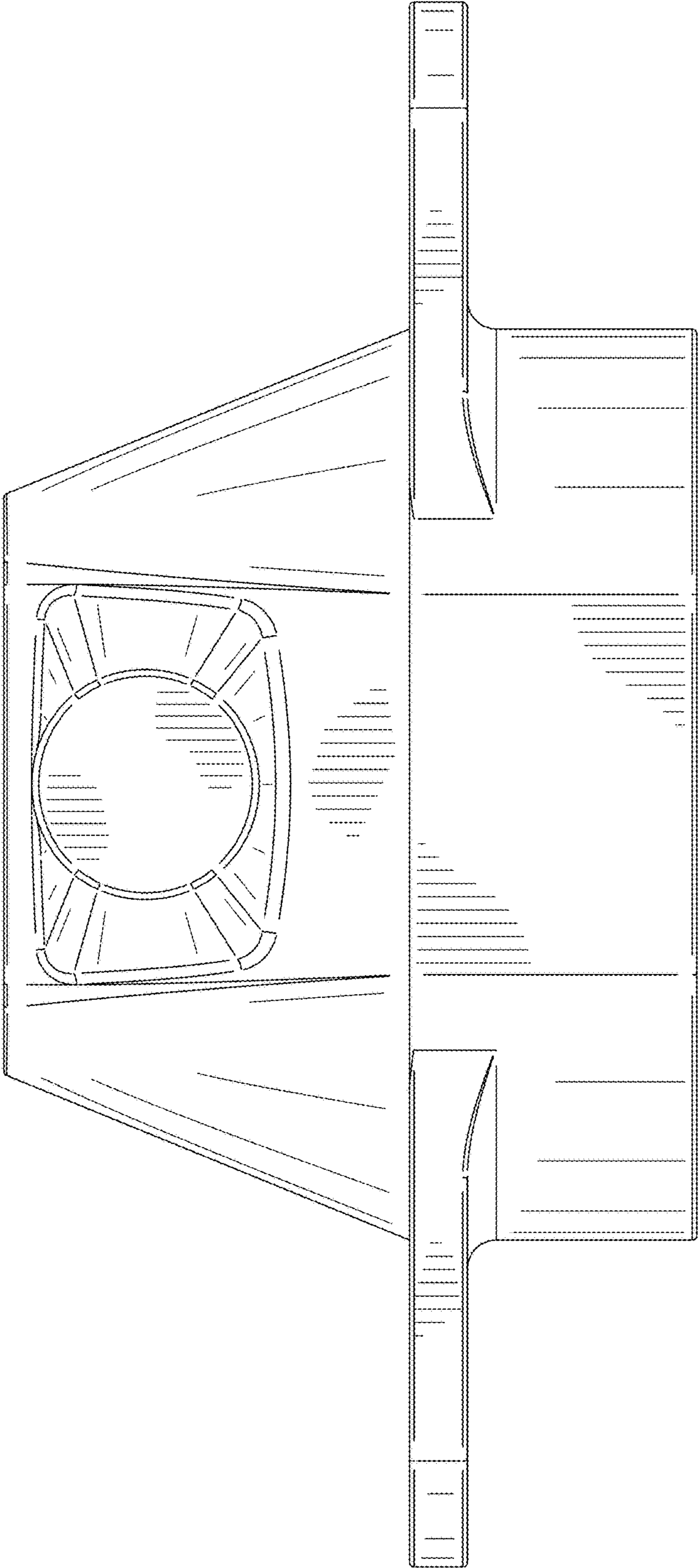


FIG. 6