



US00D774456S

(12) **United States Design Patent**
Stone et al.

(10) **Patent No.:** **US D774,456 S**

(45) **Date of Patent:** **** Dec. 20, 2016**

(54) **ULTRACAPACITOR MODULE**

(71) Applicant: **Maxwell Technologies, Inc.**, San Diego, CA (US)

(72) Inventors: **Kevin T. Stone**, San Diego, CA (US);
Steven Watts, San Diego, CA (US);
Steven Shelton, Escondido, CA (US);
Ishmael Rahimian, San Diego, CA (US)

(73) Assignee: **Maxwell Technologies, Inc.**, San Diego, CA (US)

(**) Term: **14 Years**

(21) Appl. No.: **29/509,263**

(22) Filed: **Nov. 14, 2014**

(51) **LOC (10) Cl.** **13-03**

(52) **U.S. Cl.**
USPC **D13/125**

(58) **Field of Classification Search**
USPC D13/101, 118, 122-125, 133, 148,
149, D13/154, 158-161, 182, 184, 199
CPC H01G 4/00; H01G 4/06; H01G 4/38;
H01G 9/00; H02N 1/00; H05K 7/20
See application file for complete search history.

(56) **References Cited**

U.S. PATENT DOCUMENTS

3,377,530 A * 4/1968 Meyers H01G 4/38
361/275.2
D212,361 S * 10/1968 Schuler D13/179

D216,797 S * 3/1970 Brown et al. D13/125
D241,340 S * 9/1976 Jones et al. D13/112
D332,443 S * 1/1993 Sharpe D13/184
D402,640 S * 12/1998 Witte D13/184
D551,168 S * 9/2007 Katoh D13/125
D551,622 S * 9/2007 Katoh D13/125
D553,566 S * 10/2007 Katoh D13/125
8,758,915 B2 * 6/2014 Matsunaga G01D 11/245
429/175
D759,593 S * 6/2016 Stone D13/125
2006/0039099 A1 * 2/2006 Oizumi H01G 9/155
361/502
2006/0262482 A1 * 11/2006 Yamamoto H01G 9/008
361/329

* cited by examiner

Primary Examiner — Elizabeth J Oswecki

(74) *Attorney, Agent, or Firm* — Knobbe Martens Olson & Bear LLP

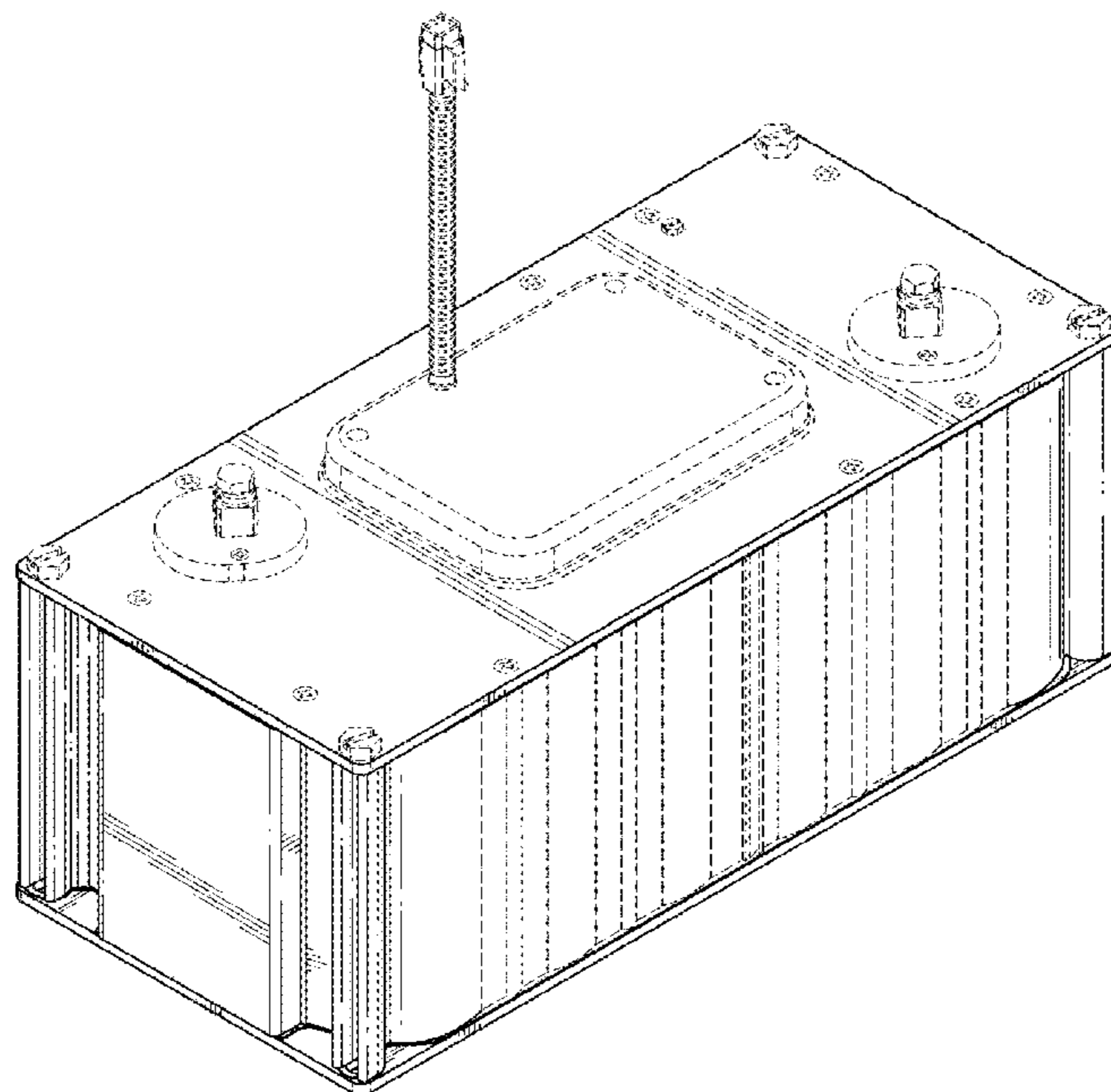
(57) **CLAIM**

The ornamental design for an ultracapacitor module, as shown and described.

DESCRIPTION

FIG. 1 is a top perspective view of an ultracapacitor module showing our new design;
FIG. 2 is a bottom perspective view thereof;
FIG. 3 is a front view thereof;
FIG. 4 is a rear view thereof;
FIG. 5 is a right side view thereof;
FIG. 6 is a left side view thereof;
FIG. 7 is a top view thereof; and,
FIG. 8 is a bottom view thereof.

1 Claim, 7 Drawing Sheets



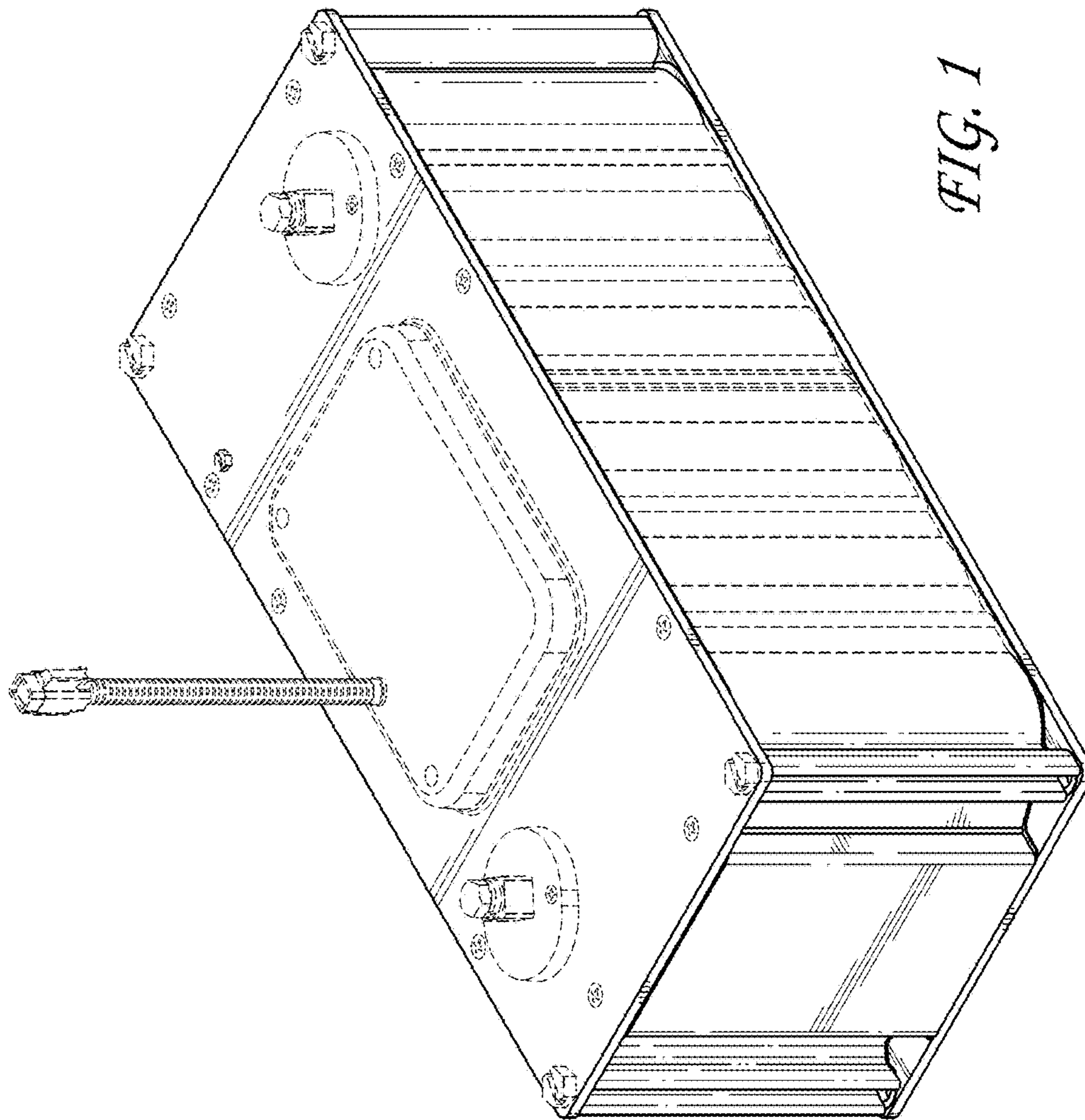


FIG. 1

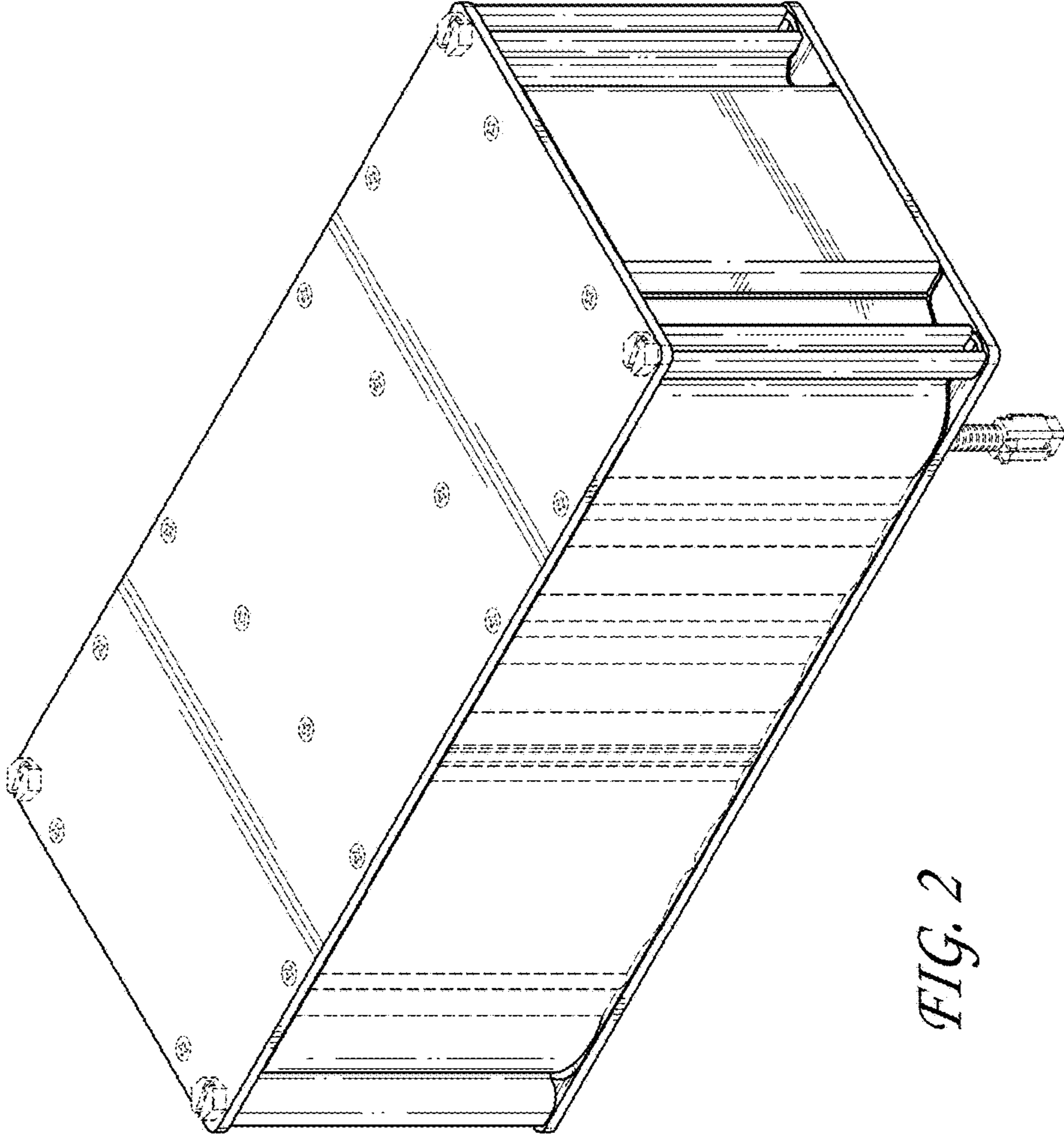


FIG. 2

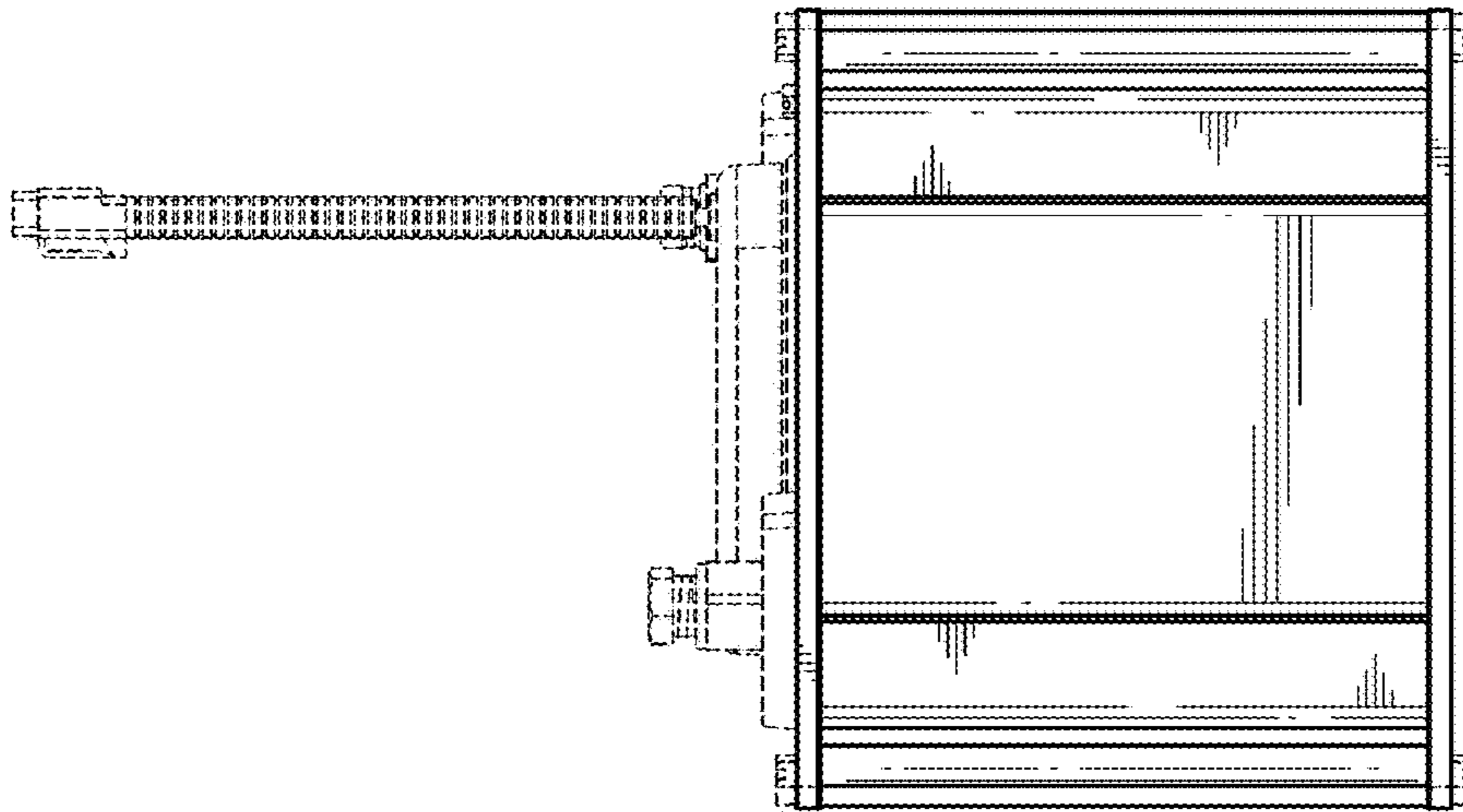


FIG. 4

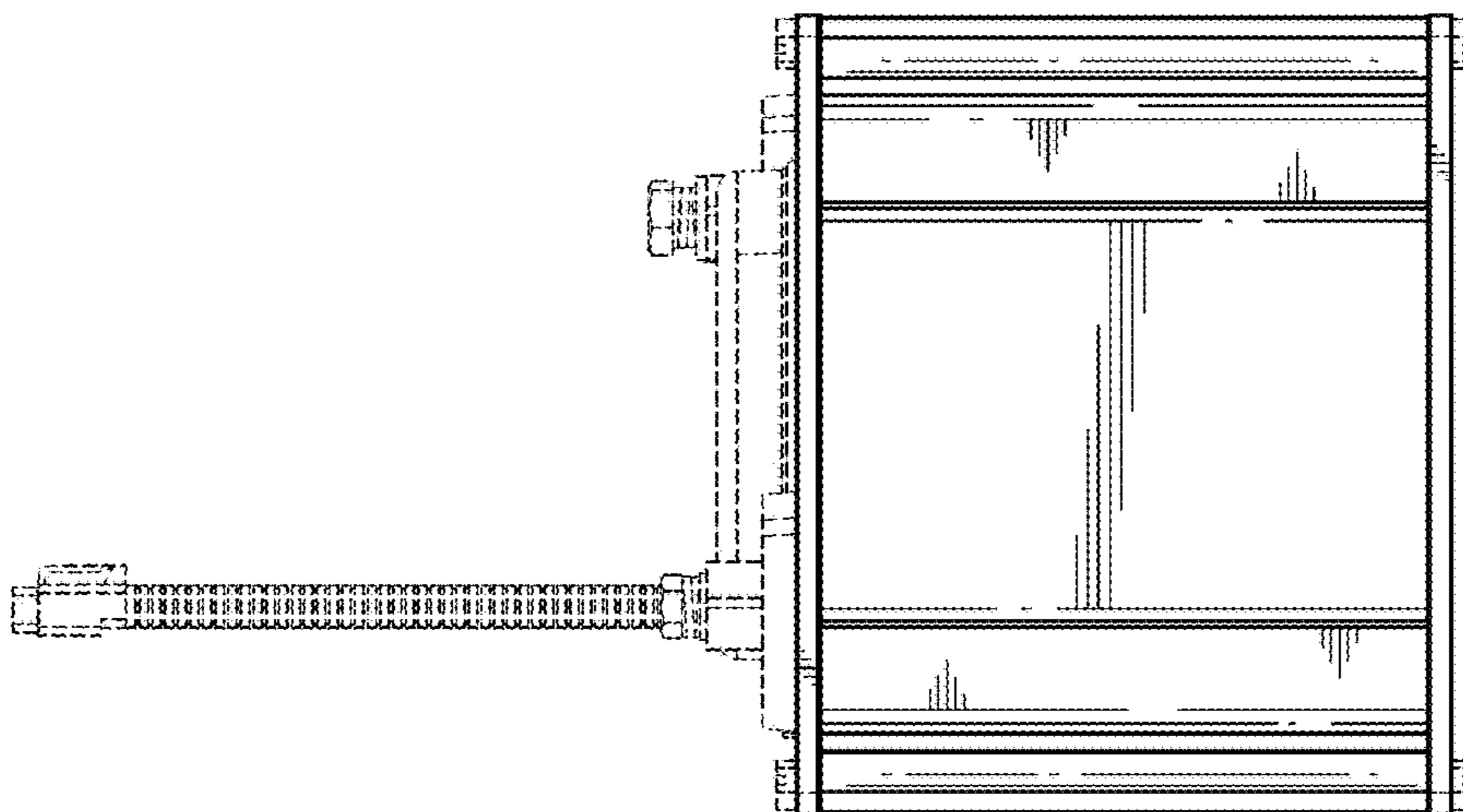


FIG. 3

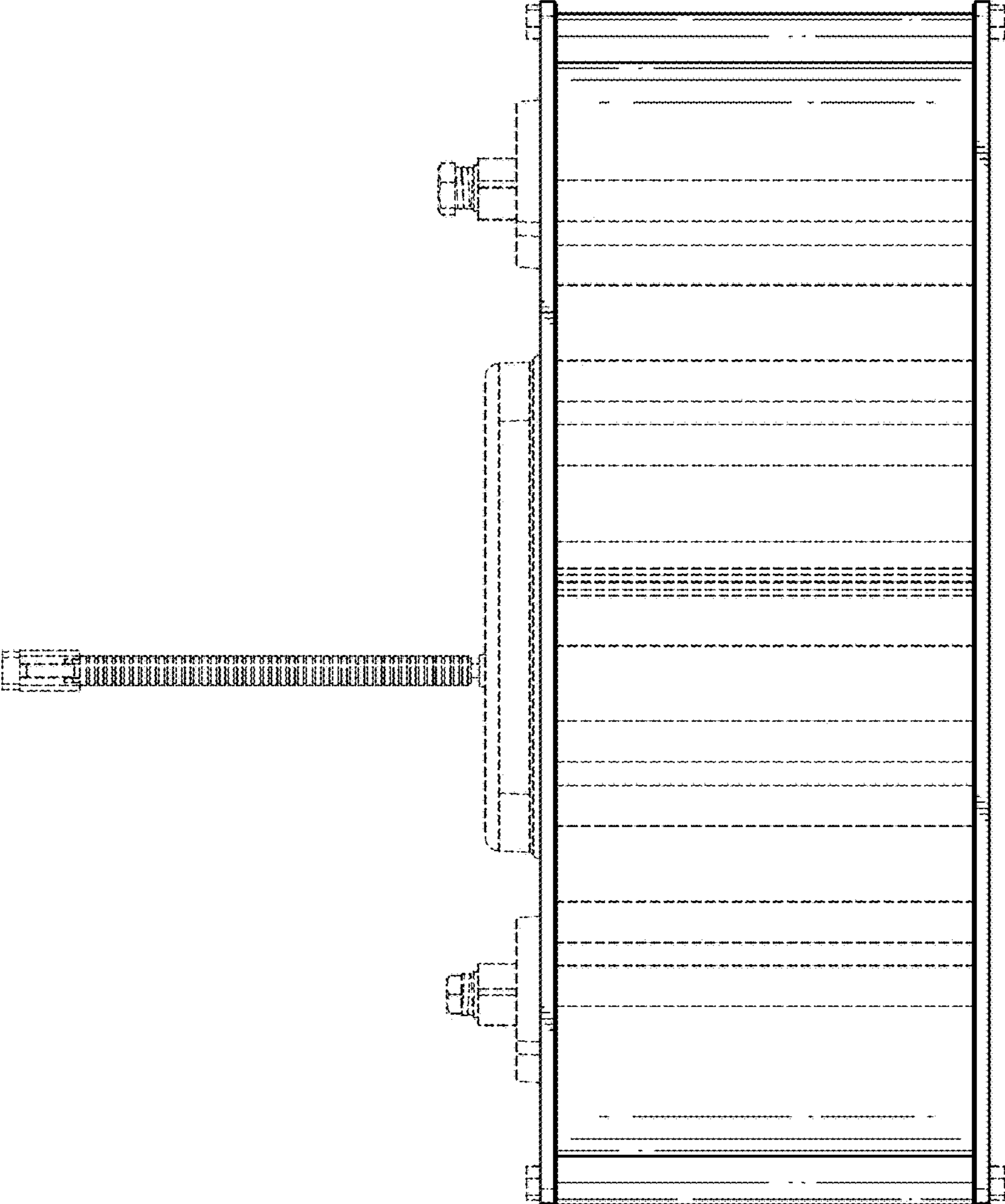


FIG. 5

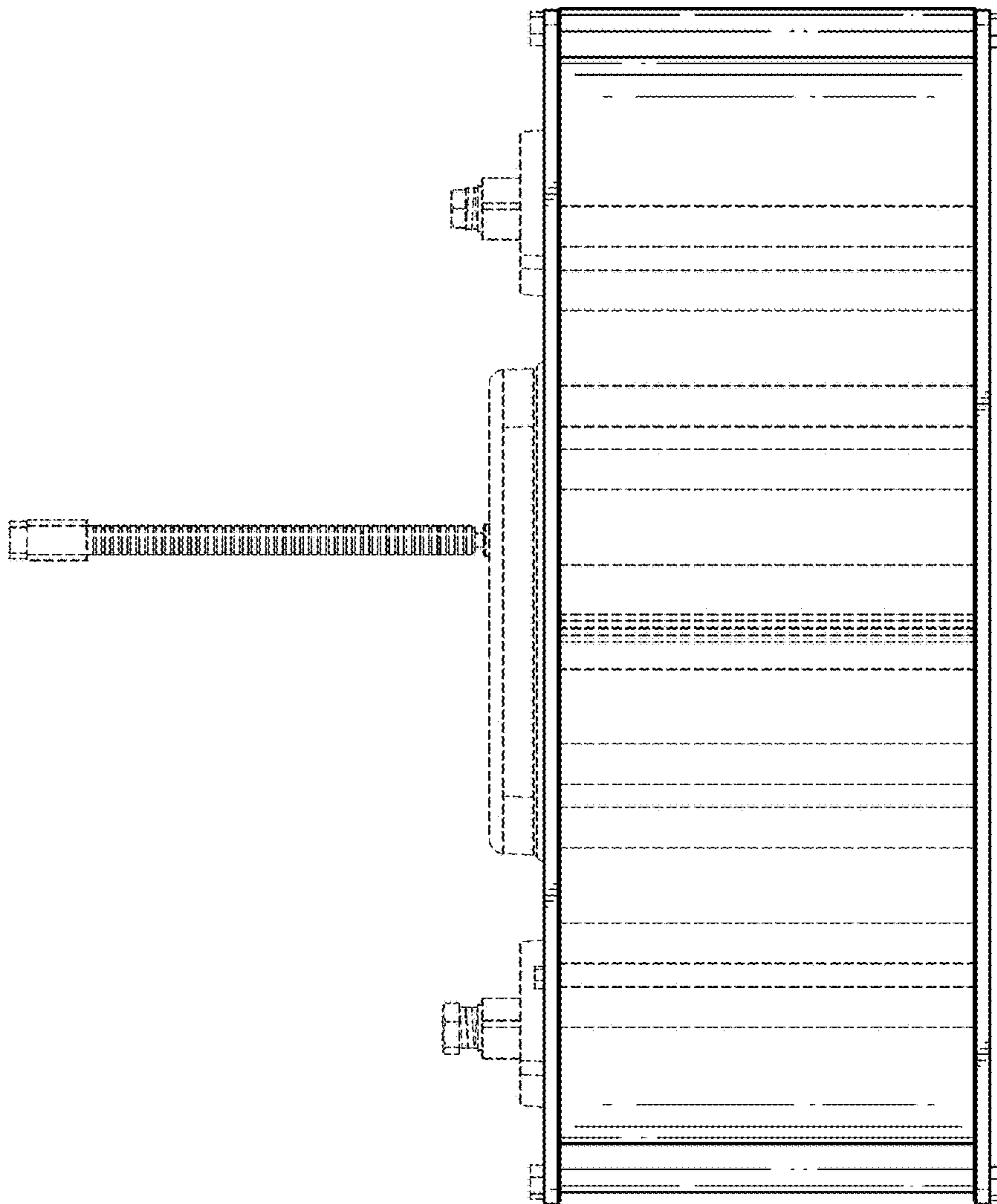


FIG. 6

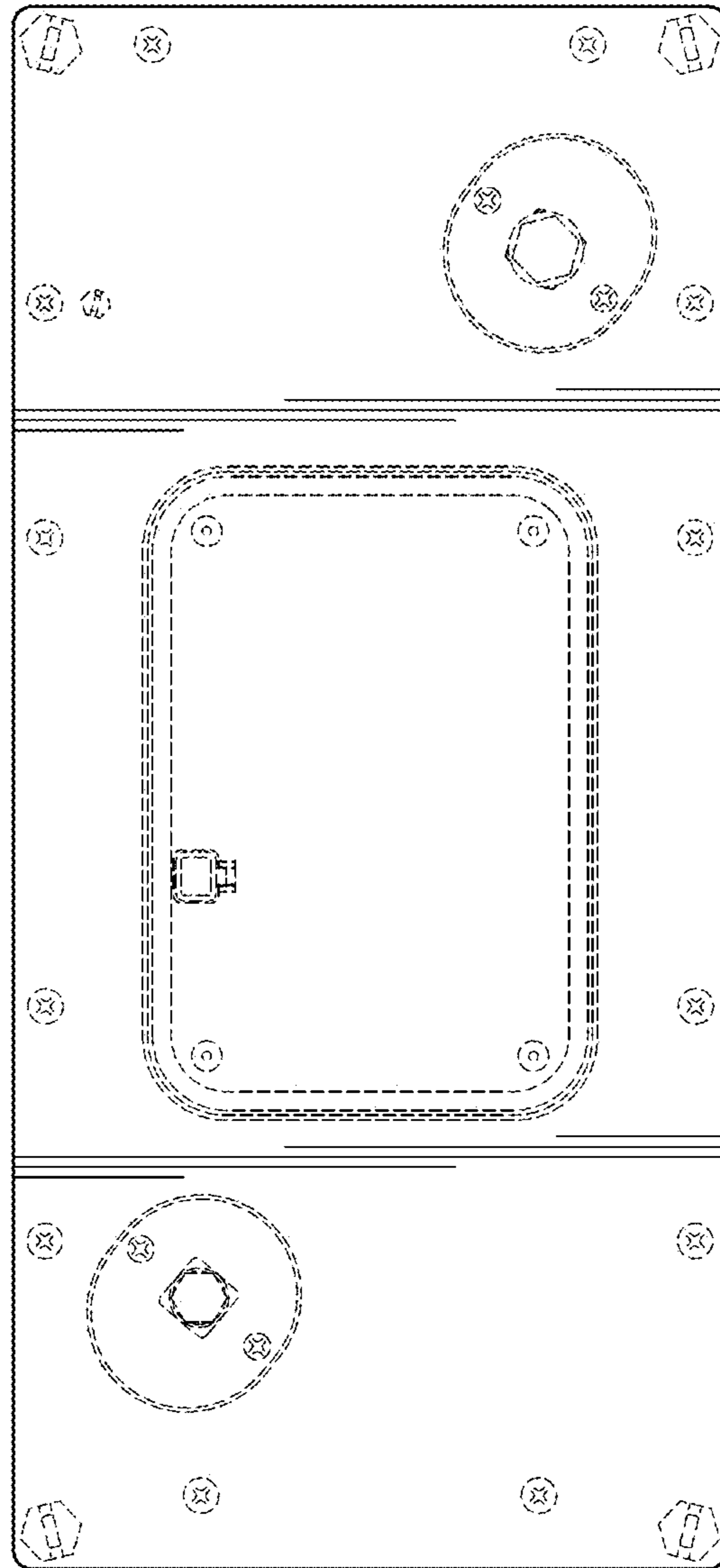


FIG. 7

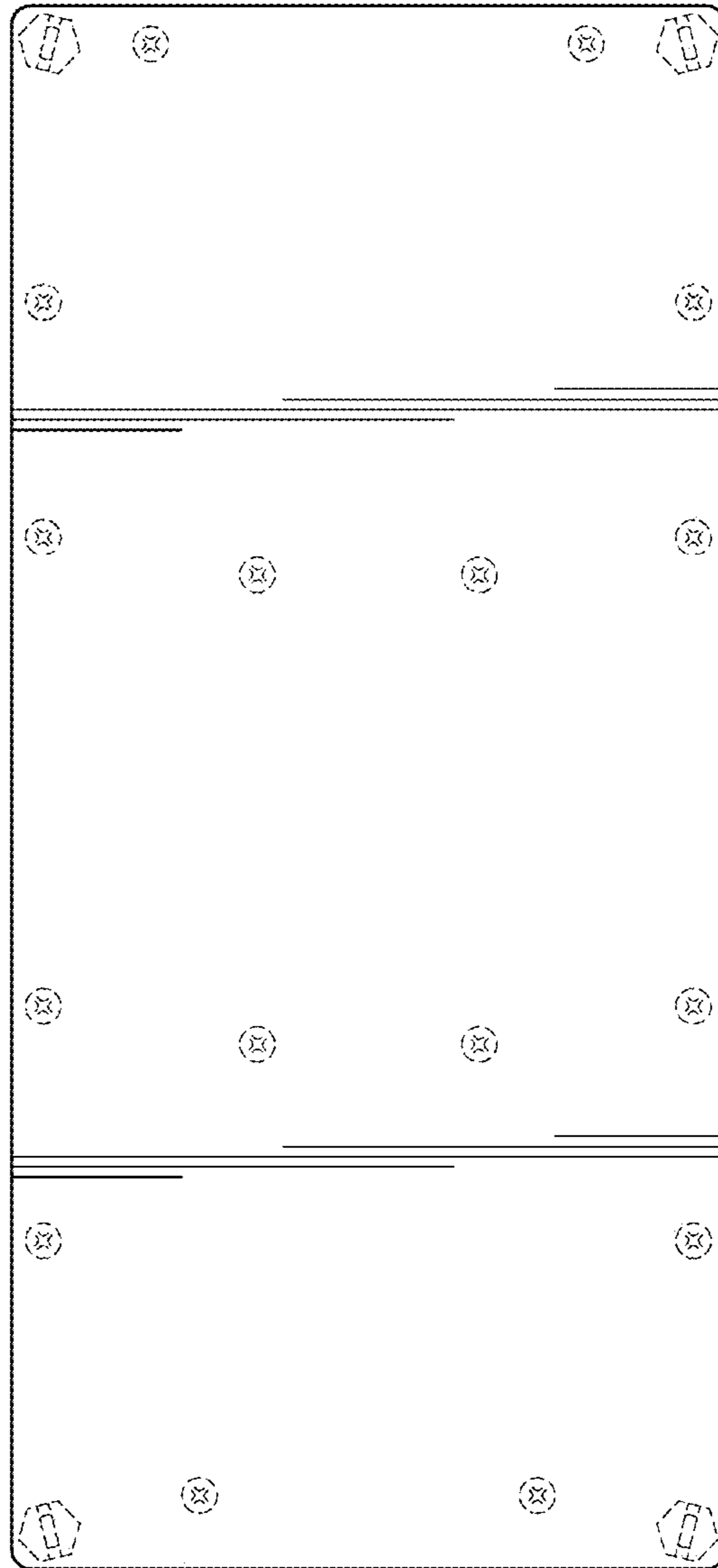


FIG. 8