



US00D774455S

(12) **United States Design Patent**
Kim et al.

(10) **Patent No.:** **US D774,455 S**

(45) **Date of Patent:** **** Dec. 20, 2016**

(54) **WIRELESS CHARGER**

(71) Applicant: **Samsung Electronics Co., Ltd.**,
Suwon-si, Gyeonggi-do (KR)

(72) Inventors: **Daejong Kim**, Seoul (KR); **Sangsung Woo**, Seoul (KR); **Jiin Baek**, Seoul (KR); **Hong-Pyo Kim**, Seoul (KR); **Chi Young Ahn**, Seoul (KR)

(73) Assignee: **SAMSUNG ELECTRONICS CO., LTD.** (KR)

(**) Term: **14 Years**

(21) Appl. No.: **29/506,386**

(22) Filed: **Oct. 15, 2014**

(30) **Foreign Application Priority Data**

Apr. 16, 2014 (KR) 30-2014-0019260

(51) **LOC (10) Cl.** **13-02**

(52) **U.S. Cl.**
USPC **D13/108**

(58) **Field of Classification Search**

USPC D13/107-110, 118-119, 184, 199;
D14/251, 253, 432, 434
CPC Y02E 60/12; Y02T 90/14; Y02T 90/122;
Y02T 90/128; Y02T 90/163; H02J 7/025;
H02J 7/0042; H02J 7/0044; H02J 7/0045;
H02J 7/0003; H01F 38/14; H01R
13/6675; H01M 2/1022; H01M 2/1055;
H01M 10/44; H01M 10/46; H01M
10/425; B60L 11/182

See application file for complete search history.

(56) **References Cited**

U.S. PATENT DOCUMENTS

D433,994 S * 11/2000 Jobs D13/110
D508,458 S * 8/2005 Solland D13/108

D620,884 S * 8/2010 Lee D13/108
D627,718 S * 11/2010 Houghton D13/108
D654,431 S * 2/2012 Stephanchick D13/108
D694,182 S * 11/2013 Lee D13/108
D697,027 S * 1/2014 Ho D13/108
D700,571 S * 3/2014 Guccione D13/108
D701,831 S * 4/2014 Park D13/108
D706,212 S * 6/2014 Zwierstra D13/107
D717,244 S * 11/2014 Reishus D13/108
D718,234 S * 11/2014 Rautiainen D13/108
D718,236 S * 11/2014 Murray D13/108
D720,289 S * 12/2014 Chiang D13/108
D722,959 S * 2/2015 Bulgarov D13/108
D725,034 S * 3/2015 Chen D13/108

(Continued)

Primary Examiner — Rosemary K Tarcza

(74) *Attorney, Agent, or Firm* — Cantor Colburn LLP

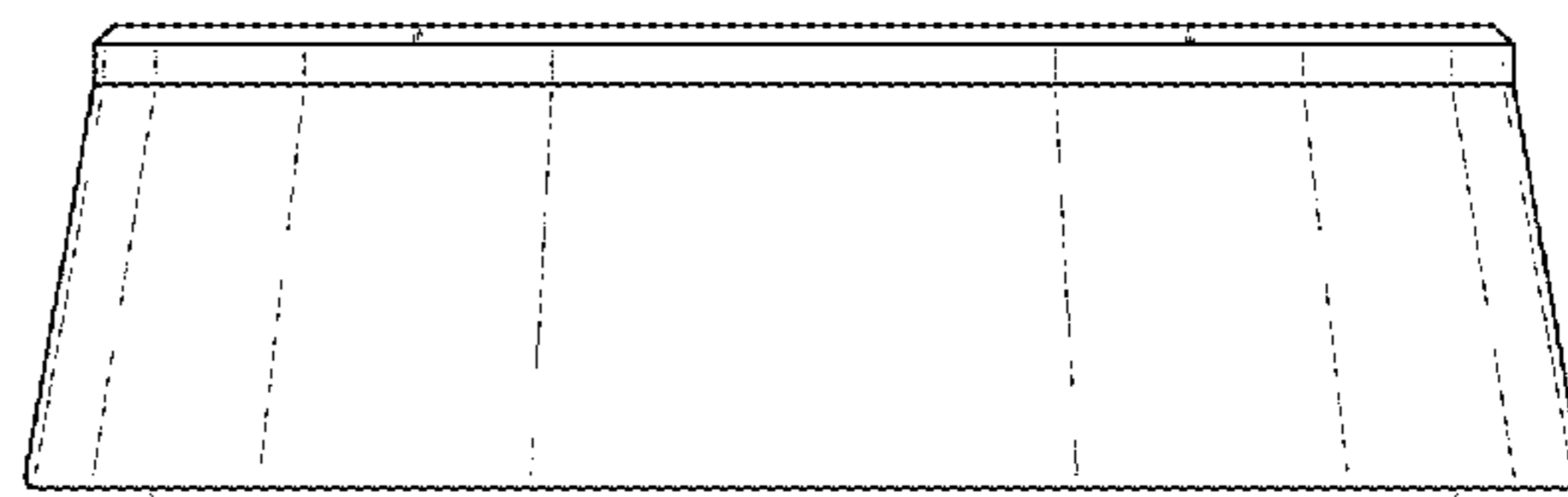
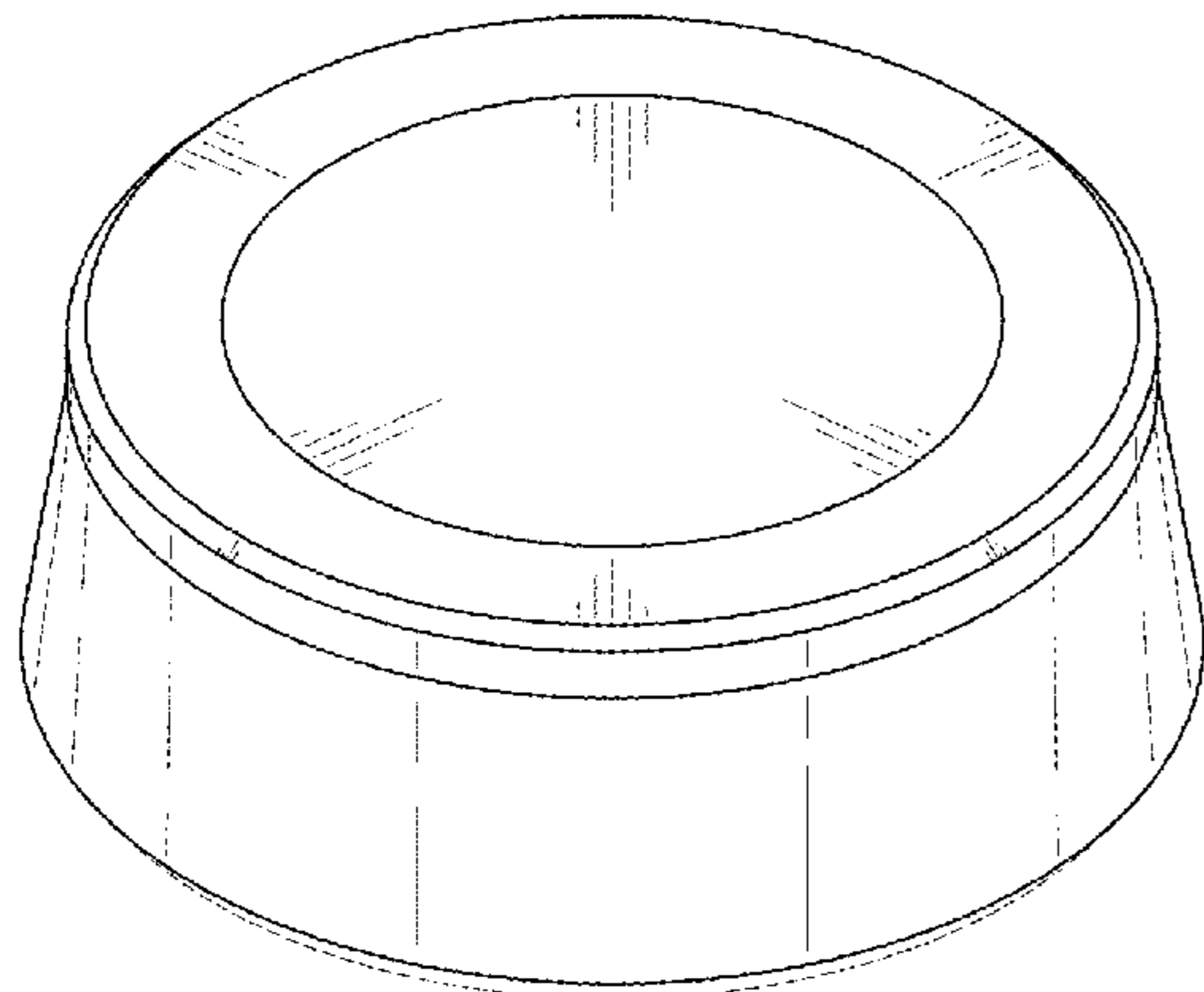
(57) **CLAIM**

The ornamental design for a wireless charger, as shown and described.

DESCRIPTION

FIG. 1 is a perspective view of a wireless charger showing our new design;
FIG. 2 is a front elevation view thereof;
FIG. 3 is a rear elevation view thereof;
FIG. 4 is a left-side elevation view thereof;
FIG. 5 is a right-side elevation view thereof;
FIG. 6 is a top plan view thereof;
FIG. 7 is a bottom plan view thereof; and,
FIG. 8 is another front view, in which a Tablet PC in broken lines is provided to illustrate an example environment. The broken lines showing of portions of the wireless charger in the figures form no part of the claimed design. The broken lines showing of a Tablet PC in FIG. 8 are for the purpose of illustrating environmental structure and form no part of the claimed design.

1 Claim, 8 Drawing Sheets



(56)

References Cited

U.S. PATENT DOCUMENTS

D735,131 S *	7/2015	Akana	D13/108
D735,133 S *	7/2015	Reishus	D13/108
D737,762 S *	9/2015	Aumiller	D13/108
D738,303 S *	9/2015	Symons	D13/108
D738,823 S *	9/2015	Chen	D13/108
D740,750 S *	10/2015	Mayden	D13/108

* cited by examiner

FIG. 1

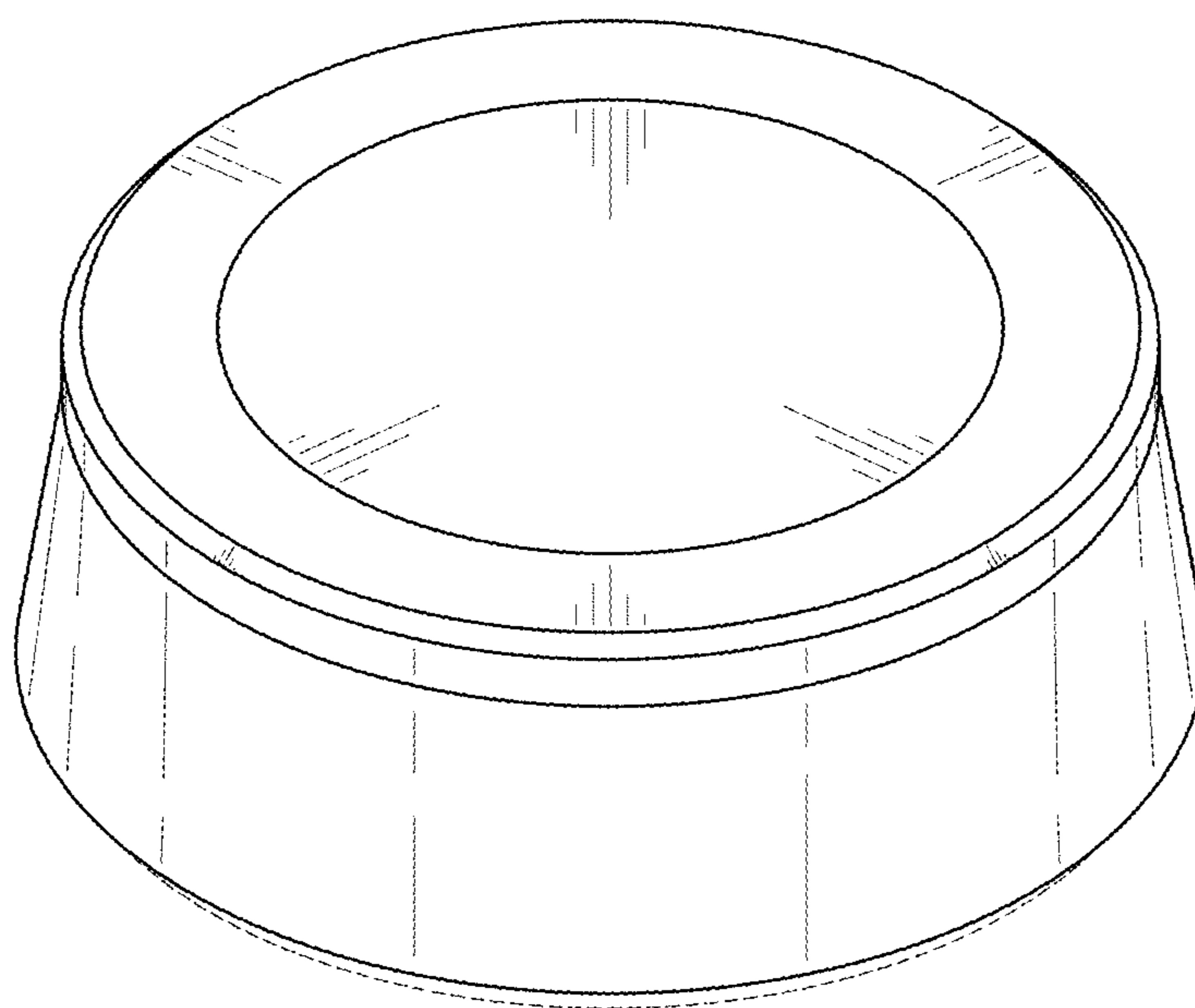


FIG. 2

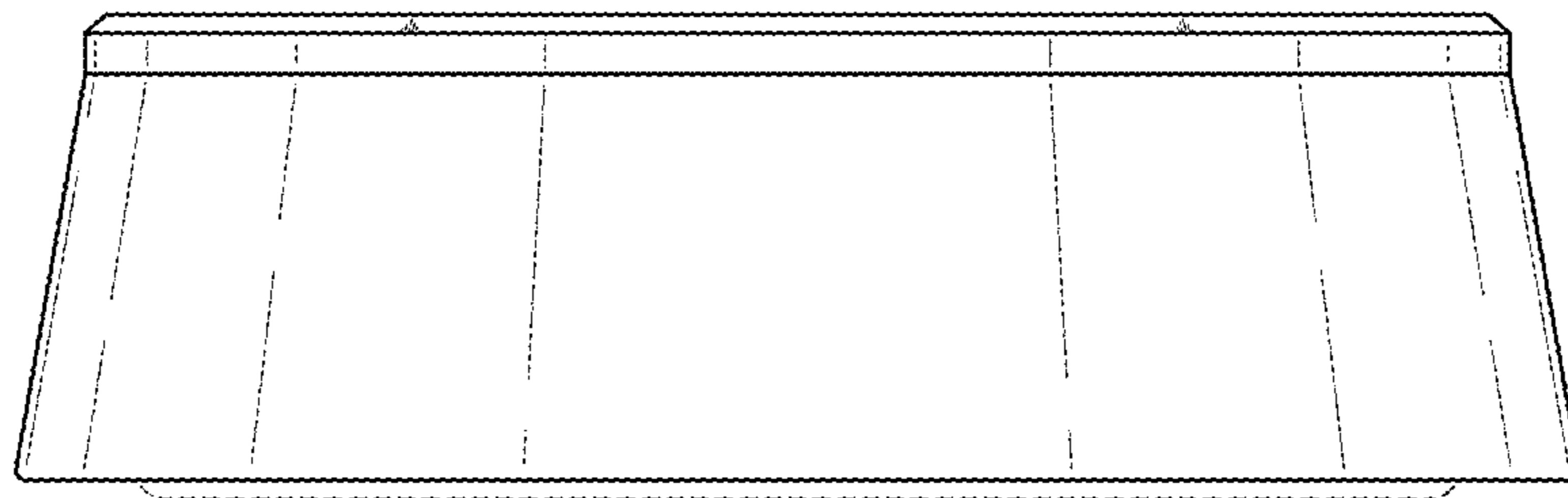


FIG. 3

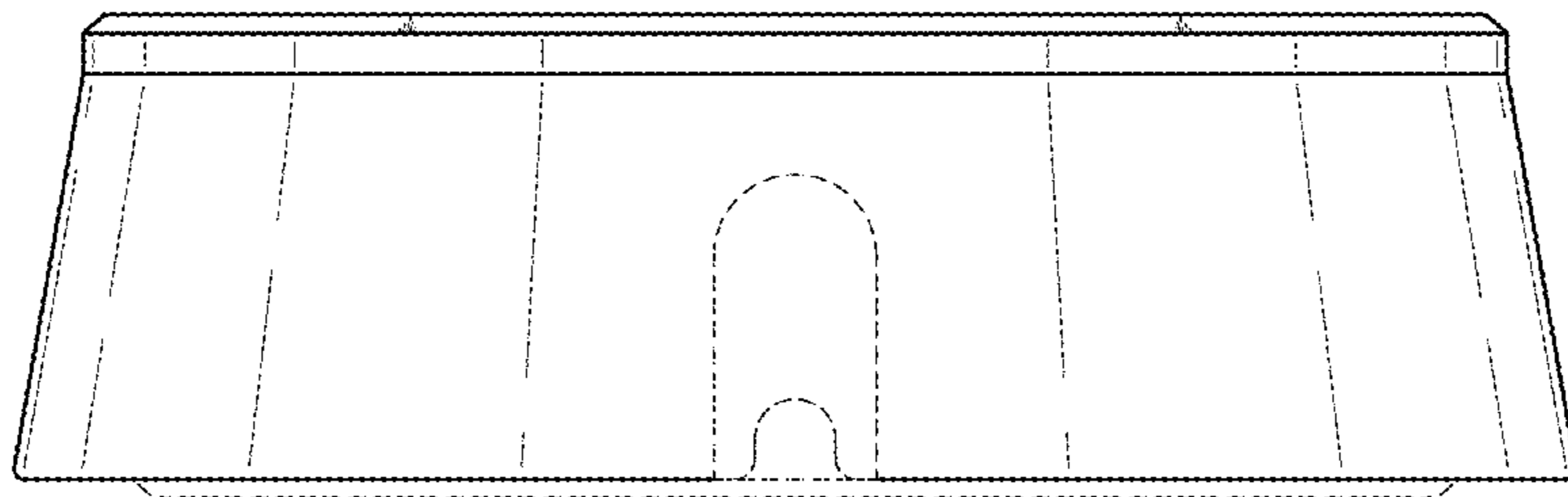


FIG. 4

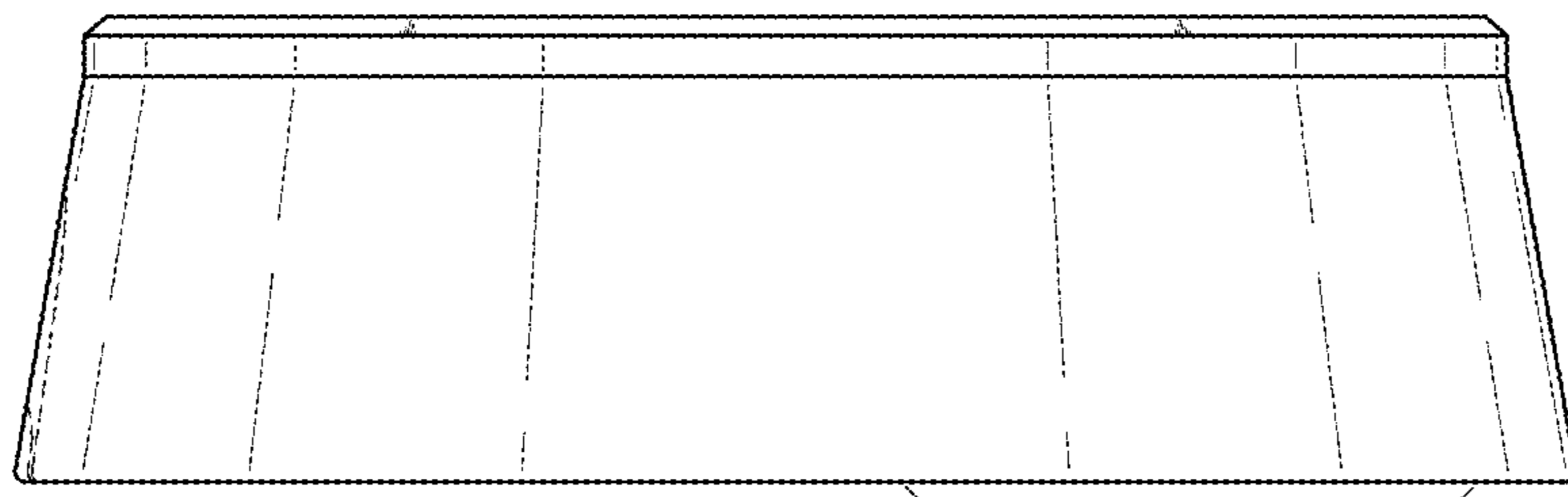


FIG. 5

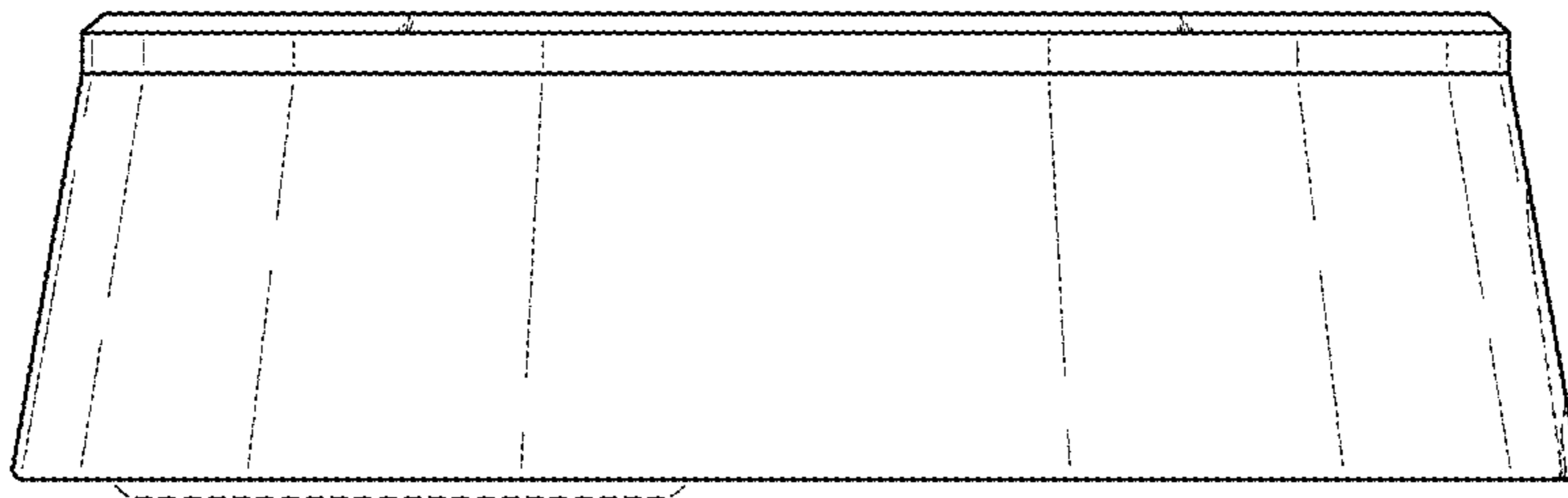


FIG. 6

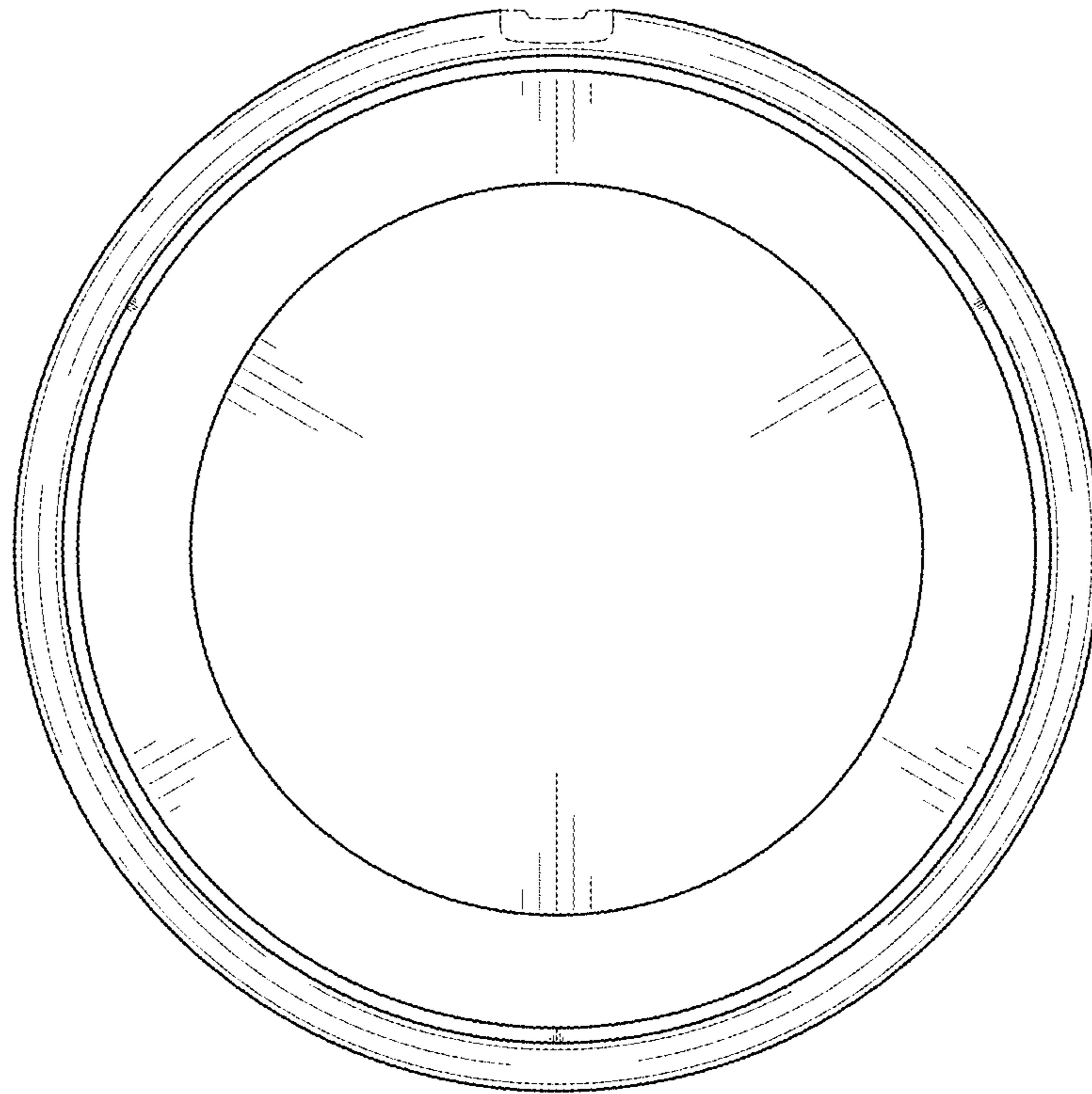


FIG. 7

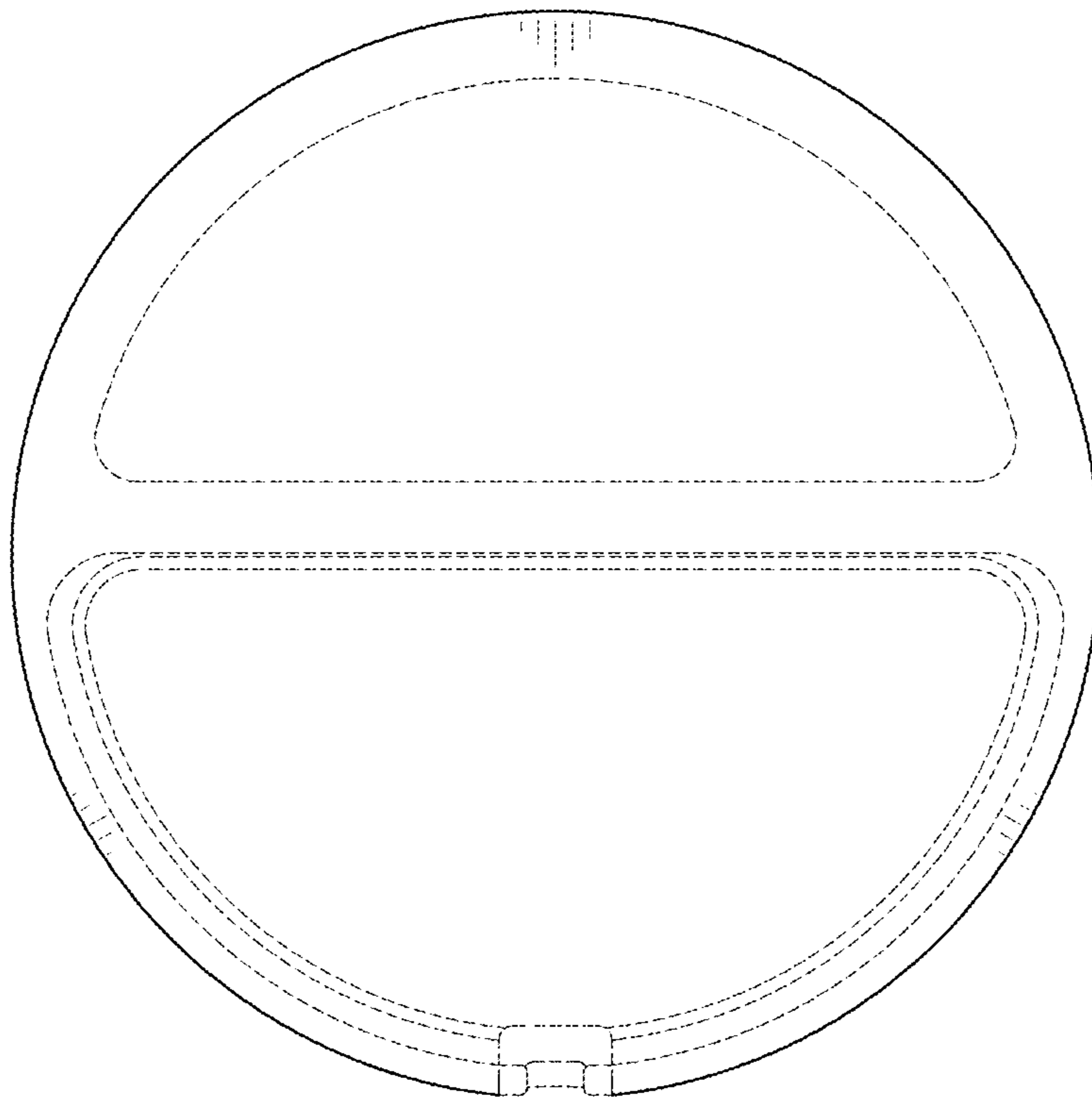


FIG. 8

