



US00D774453S

(12) **United States Design Patent** (10) **Patent No.:** **US D774,453 S**
Yoneta et al. (45) **Date of Patent:** **** Dec. 20, 2016**

- (54) **BATTERY CHARGER FOR A BIOMEDICAL SIGNAL RECORDER**
- (71) Applicant: **TDK Corporation**, Tokyo (JP)
- (72) Inventors: **Kousuke Yoneta**, Tokyo (JP); **Masaaki Kurata**, Wako (JP)
- (73) Assignee: **TDK Corporation**, Tokyo (JP)
- (**) Term: **14 Years**
- (21) Appl. No.: **29/504,921**
- (22) Filed: **Oct. 10, 2014**
- (30) **Foreign Application Priority Data**

- Apr. 11, 2014 (JP) 2014-008000
- (51) **LOC (10) Cl.** **13-02**
- (52) **U.S. Cl.**
USPC **D13/108**
- (58) **Field of Classification Search**
USPC D13/103, 107, 108; 307/150; 320/107,
320/110, 111, 112, 113, 114, 115, 128,
320/137, 138, 139, 140; 429/96, 97, 98,
429/99, 100

(Continued)

(56) **References Cited**

U.S. PATENT DOCUMENTS

- D372,455 S * 8/1996 Tiefenthal D13/108
- 6,552,513 B1 * 4/2003 Li B60R 11/0241
320/107

(Continued)

FOREIGN PATENT DOCUMENTS

- JP 1337115 8/2008
- JP 1443572 6/2012
- JP 265643-0001 * 9/2014

OTHER PUBLICATIONS

“Zoom: H2 Handy Recorder” Accessed: Jan. 11, 2016. LASplash.
http://www.lasplash.com/publish/Technology_Gift_Guides/Tech-

nology_Products_Review_2010_from_75_to_250_-_Hot_
New_Tech_Products.php.*

(Continued)

Primary Examiner — Manpreet Matharu
Assistant Examiner — Suzanne Tisdell
(74) *Attorney, Agent, or Firm* — Banner & Witcoff, Ltd.

(57) **CLAIM**

The ornamental design for a battery charger for a biomedical signal recorder, as shown and described.

DESCRIPTION

FIG. 1 is a front, top and right side perspective view of a battery charger for a biomedical signal recorder, showing our new design;

FIG. 2 is a rear, bottom and right side perspective view thereof;

FIG. 3 is a front view thereof;

FIG. 4 is a rear view thereof;

FIG. 5 is a left side view thereof;

FIG. 6 is a right side view thereof;

FIG. 7 is a top view thereof;

FIG. 8 is a bottom view thereof;

FIG. 9 is a cross sectional view thereof, taken along the line 9-9 in FIG. 3;

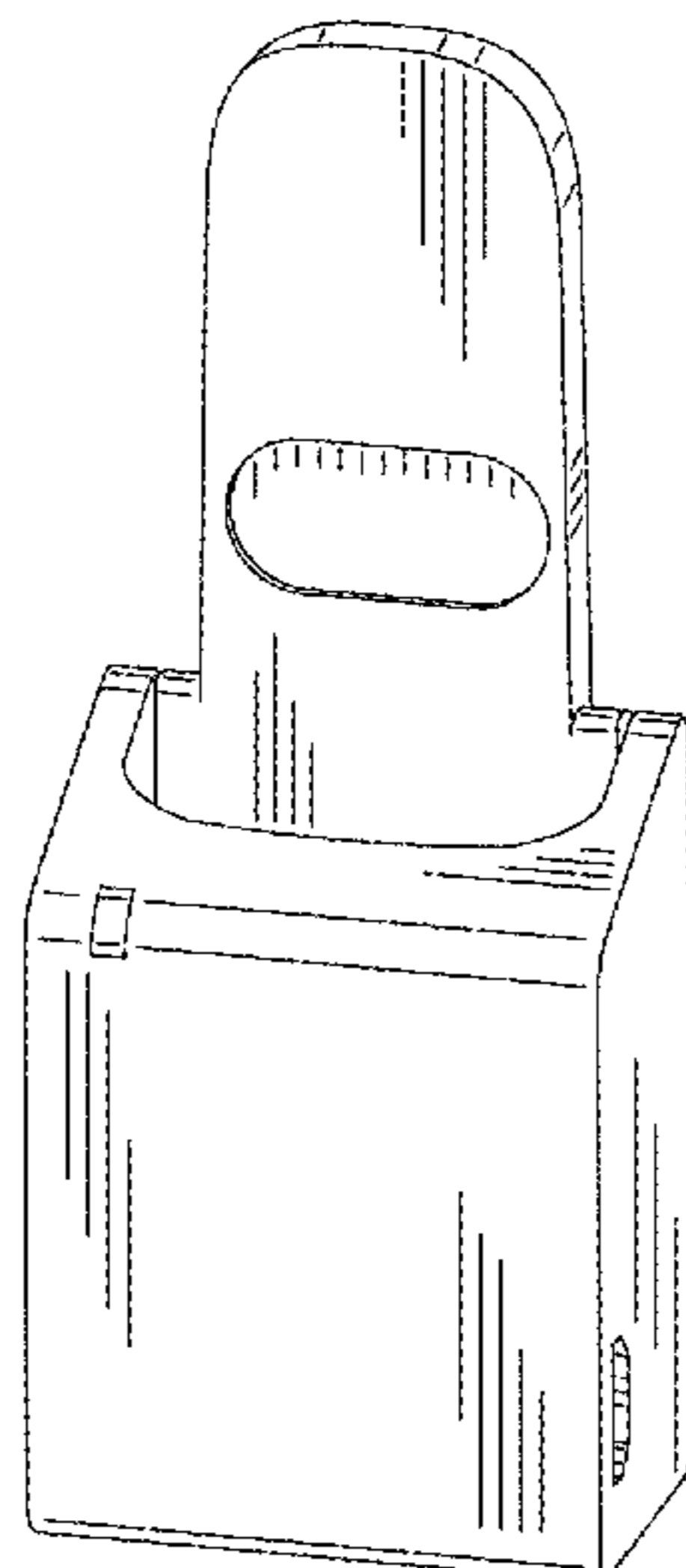
FIG. 10 is a cross sectional view thereof, taken along the line 10-10 in FIG. 3;

FIG. 11 is a front view of the clip stand in opened position; and,

FIG. 12 is a right side view of the clip stand in opened position.

The broken line showing in FIGS. 9 and 10 of the interior surfaces of the battery charger for a biomedical signal recorder with a radio function illustrate portions of the battery charger for a biomedical signal recorder with a radio function which form no part of the claimed design.

1 Claim, 4 Drawing Sheets



(58) **Field of Classification Search**

CPC H01M 10/42; H01M 10/46

See application file for complete search history.

2003/0218445	A1*	11/2003	Behar	H02J 7/0044
				320/114
2011/0037431	A1*	2/2011	Mackle	H02J 7/0044
				320/114
2013/0113419	A1*	5/2013	Lowles	H02J 7/0044
				320/107

(56)

References Cited

U.S. PATENT DOCUMENTS

D474,737	S *	5/2003	Yoshida	D13/108
D489,323	S *	5/2004	Yoshida	D13/108
D507,526	S *	7/2005	Ohta	D13/108
D533,499	S *	12/2006	Suzuki	D13/108
D605,588	S *	12/2009	Nomi	D13/108
D623,131	S *	9/2010	Kawakami	D13/107
D632,644	S *	2/2011	Yokozeki	D13/107
D633,039	S *	2/2011	Nomi	D13/108
D654,018	S *	2/2012	Conley	D13/107
D677,220	S *	3/2013	Ploss	D13/108
8,773,067	B2 *	7/2014	Chen	H01M 2/1066
				320/114

OTHER PUBLICATIONS

“Indoor LCD Digital Thermometer and Hygrometer/Humidity Meter with Clock and Alarm Auction Ended” May 21, 2015. eBay. <http://www.ebay.com/itm/Indoor-LCD-Digital-Thermometer-and-Hygrometer-Humidity-Meter-with-Clock-and-Alar-/261515757263>.*

“Konnet Technology KN-3222 Reflex Dock Pro” First comment: Aug. 25, 2010. Amazon. <http://www.amazon.com/Konnet-Technology-KN-3222-Reflex-Dock/dp/B003BT66TG>.*

“Samsung Galaxy S4 Dual Desktop Charging Cradle” First comment: Jul. 25, 2013. Mobile Fun UK. <http://www.mobilefun.co.uk/38737-samsung-galaxy-s4-dual-desktop-charging-cradle-Reviews.htm#reviews>.*

* cited by examiner

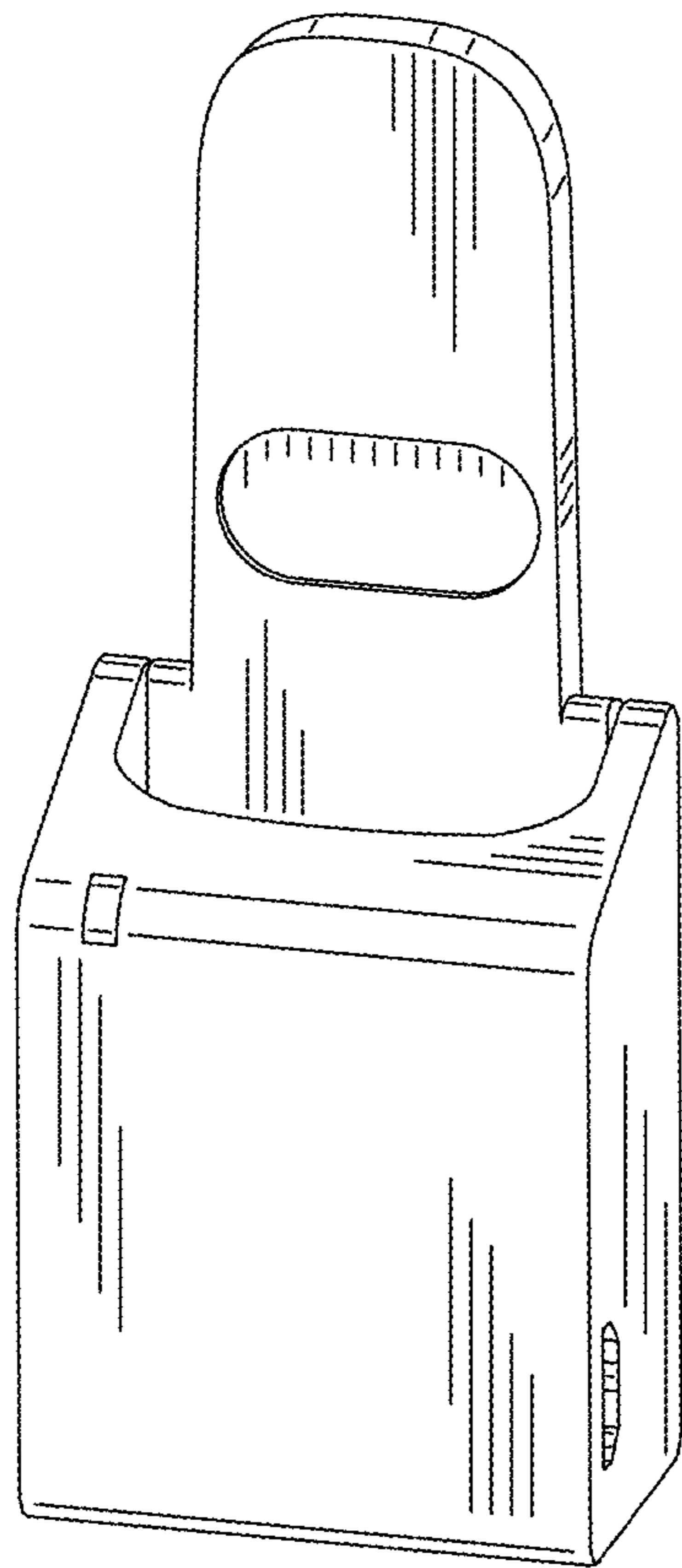


FIG. 1

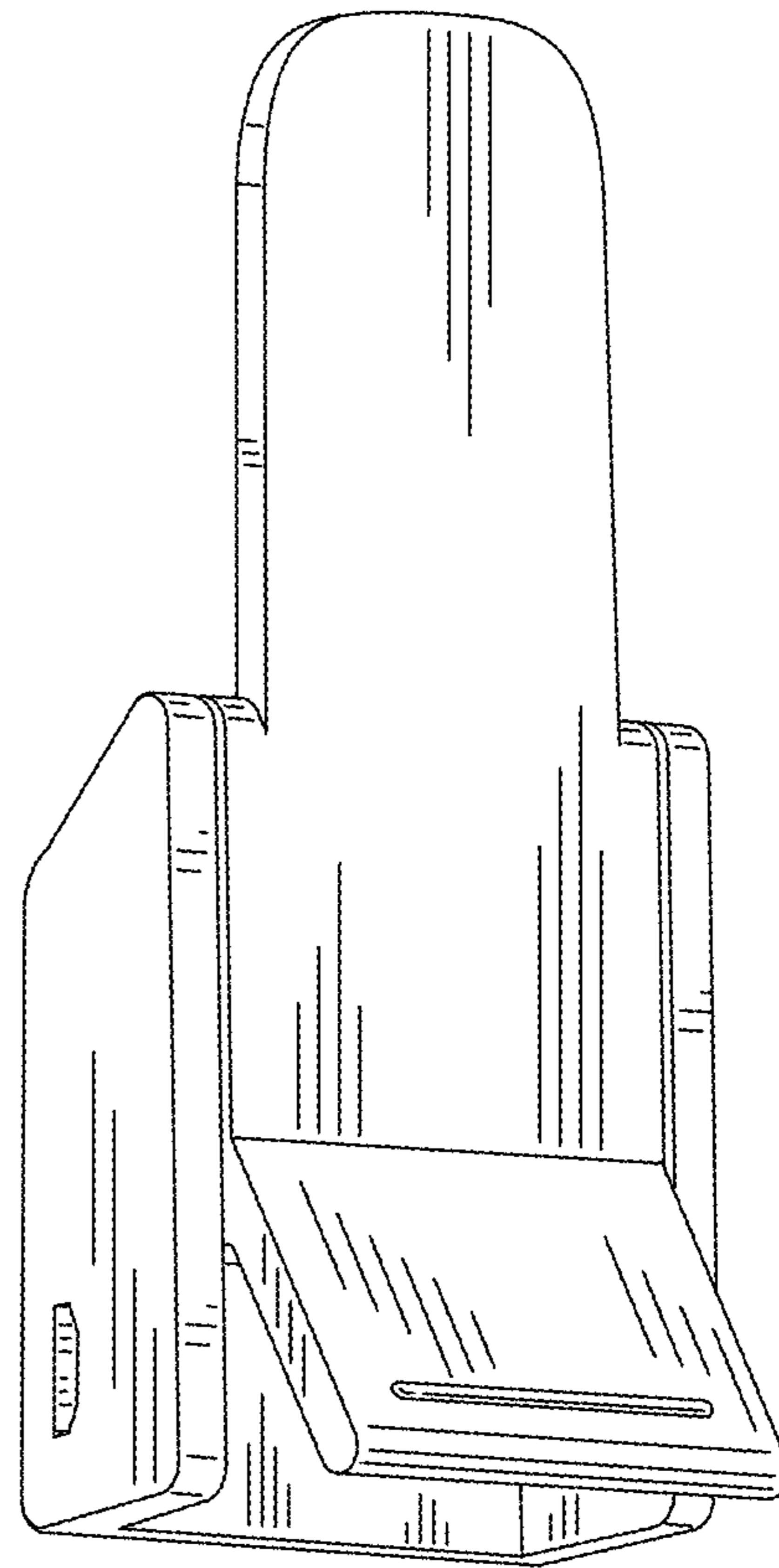


FIG. 2

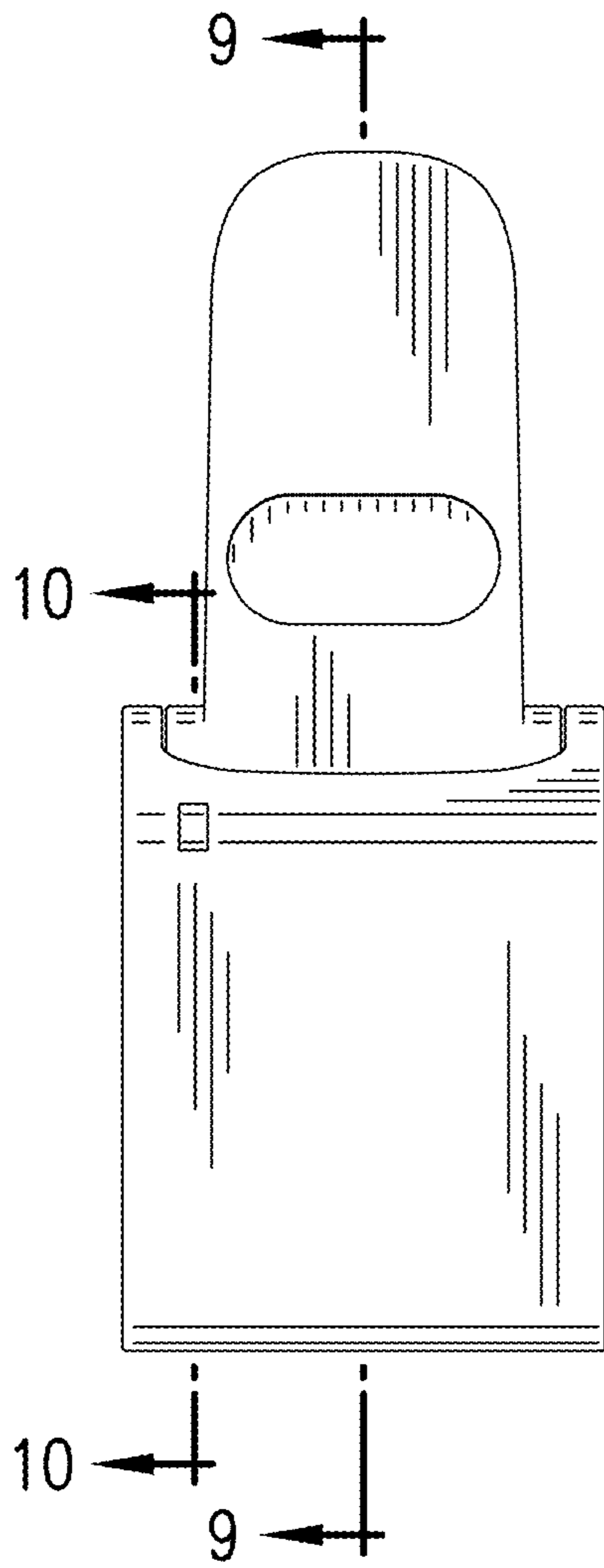


FIG. 3

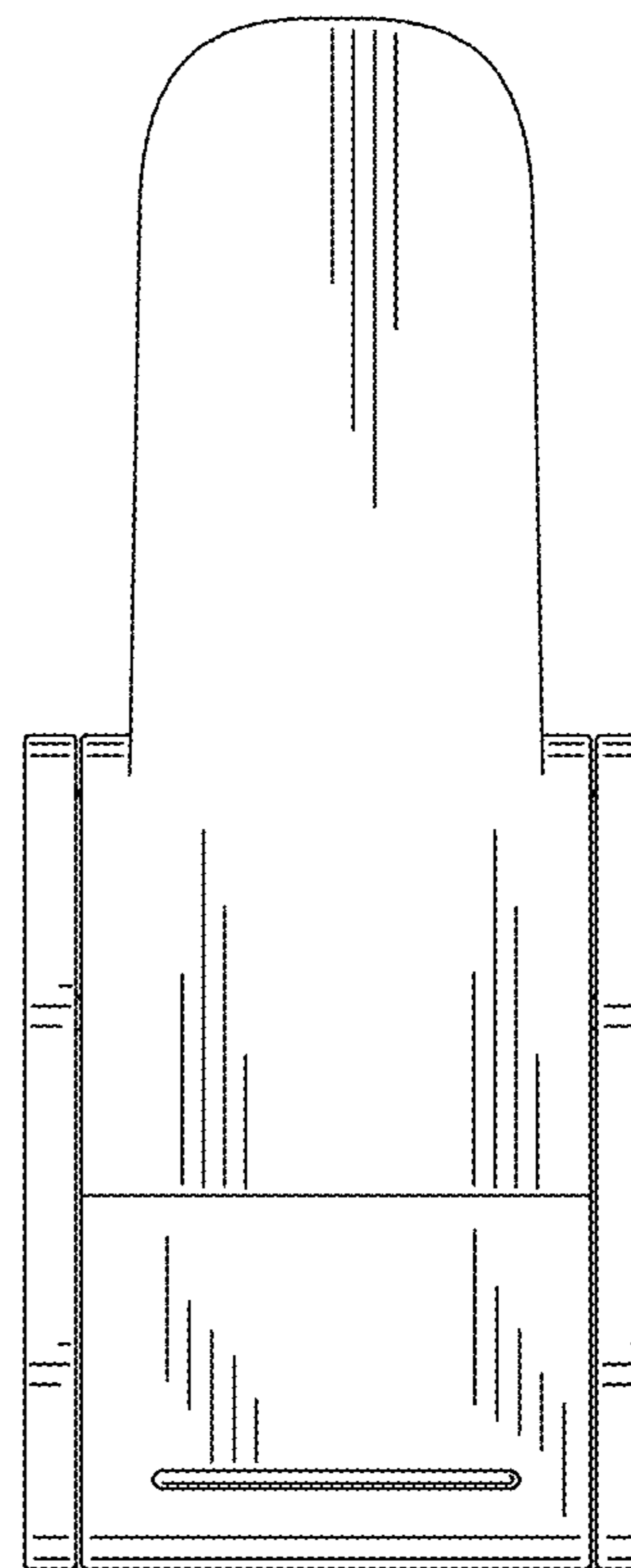


FIG. 4

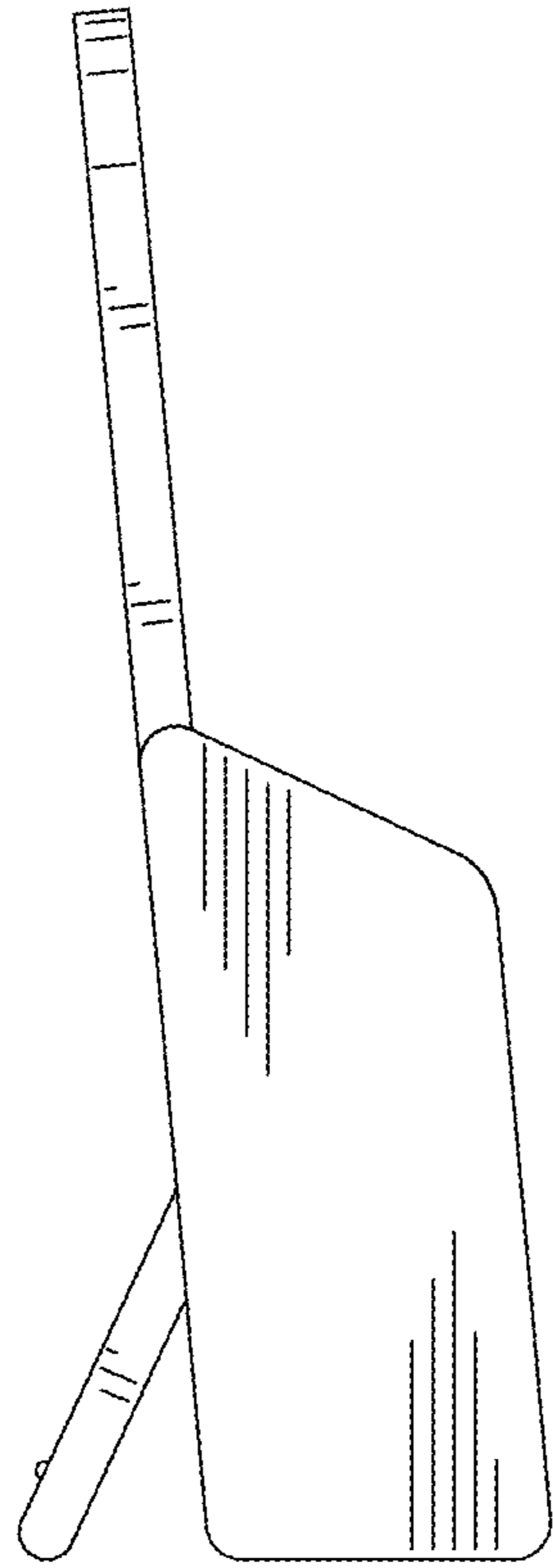


FIG. 5

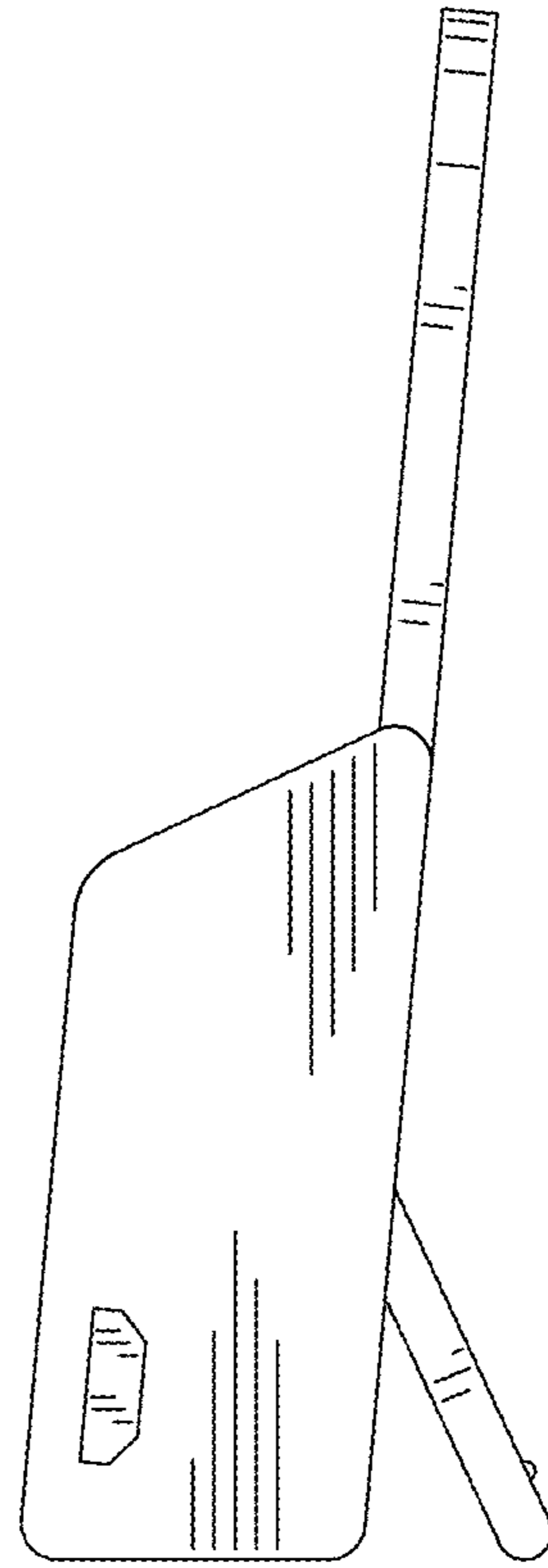


FIG. 6

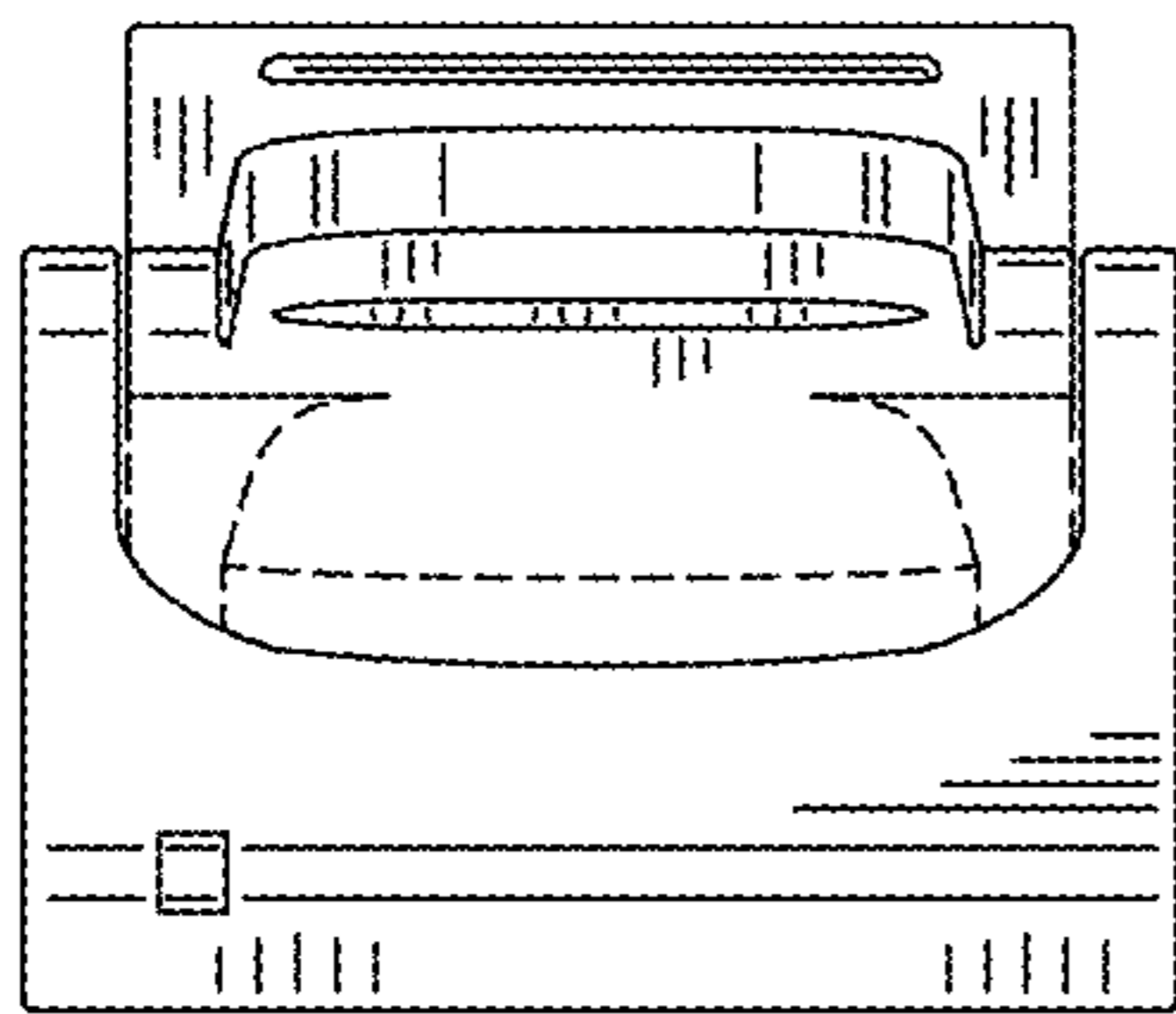


FIG. 7

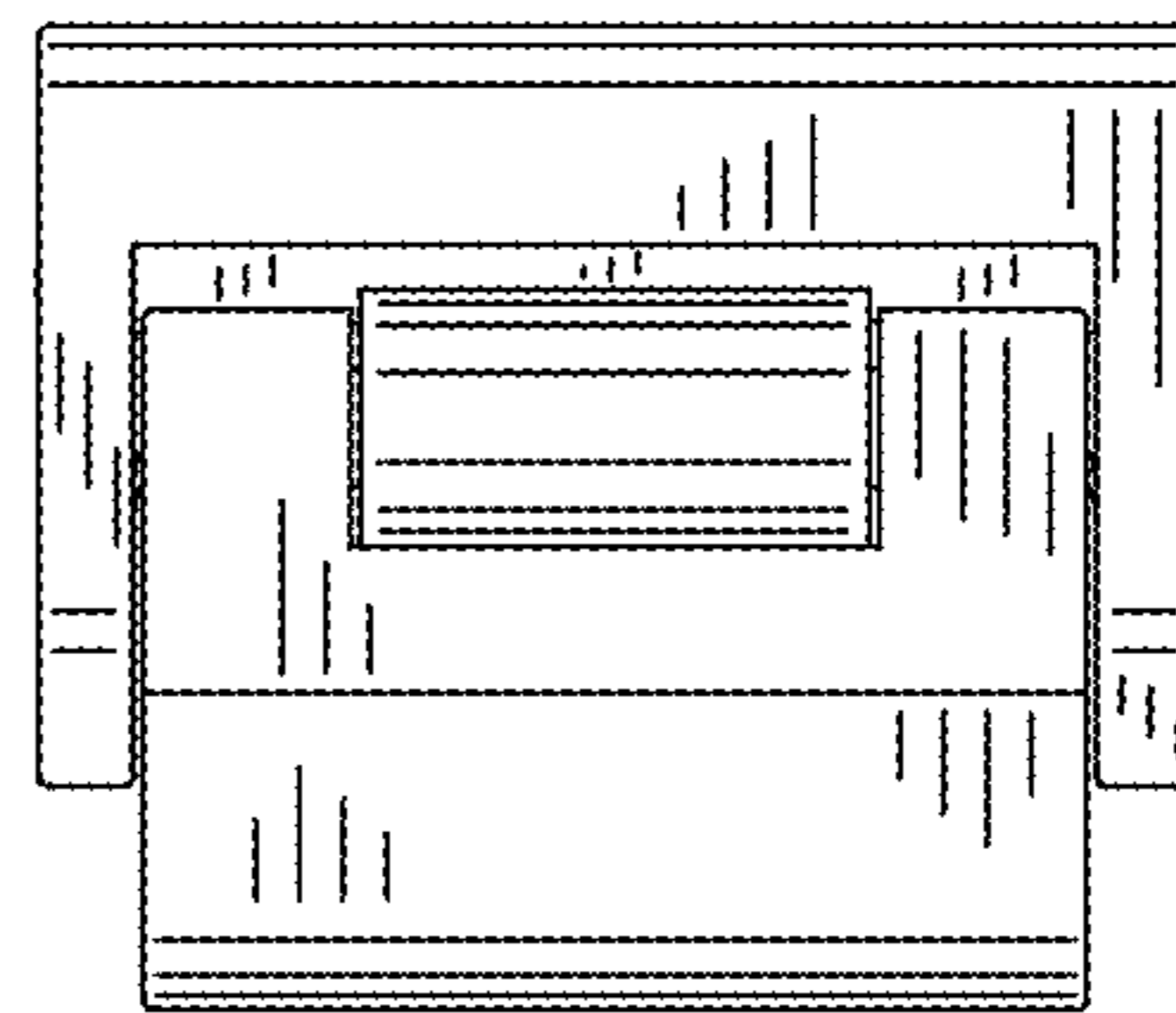


FIG. 8

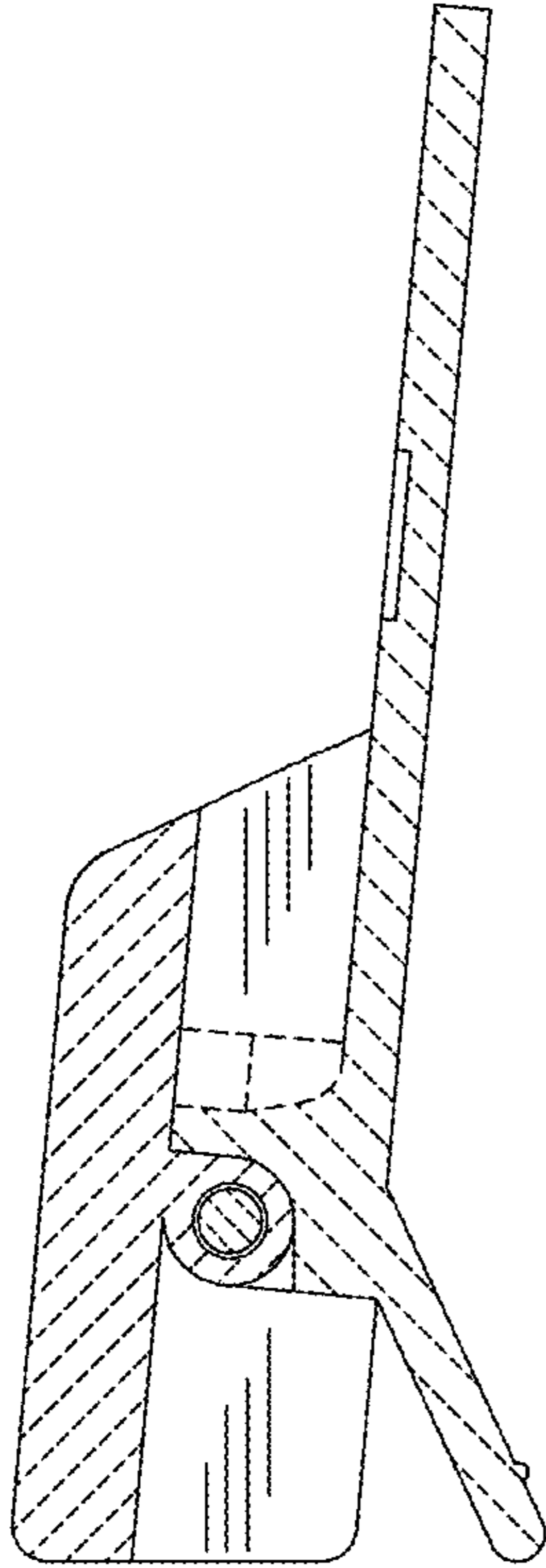


FIG. 9

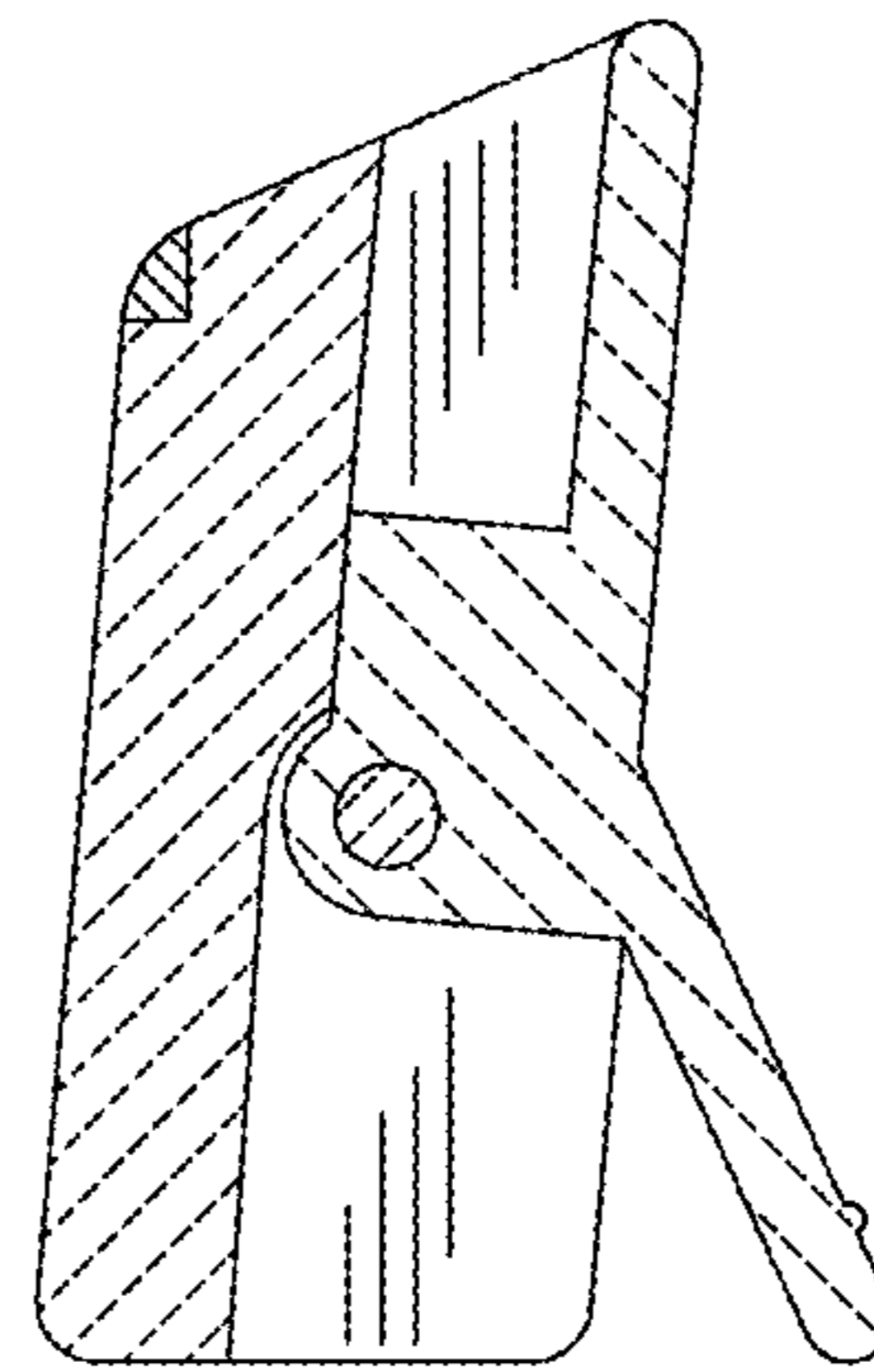


FIG. 10

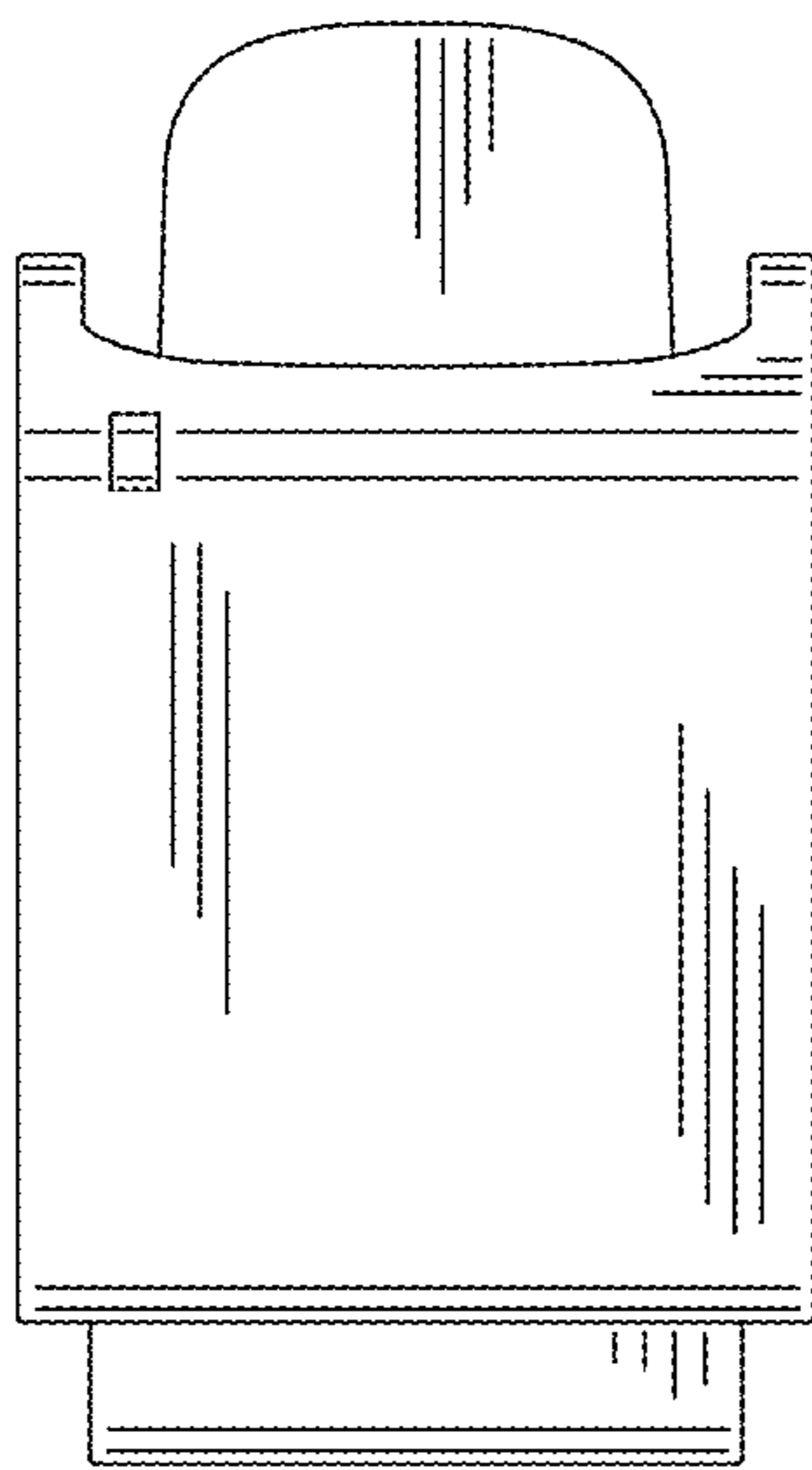


FIG. 11

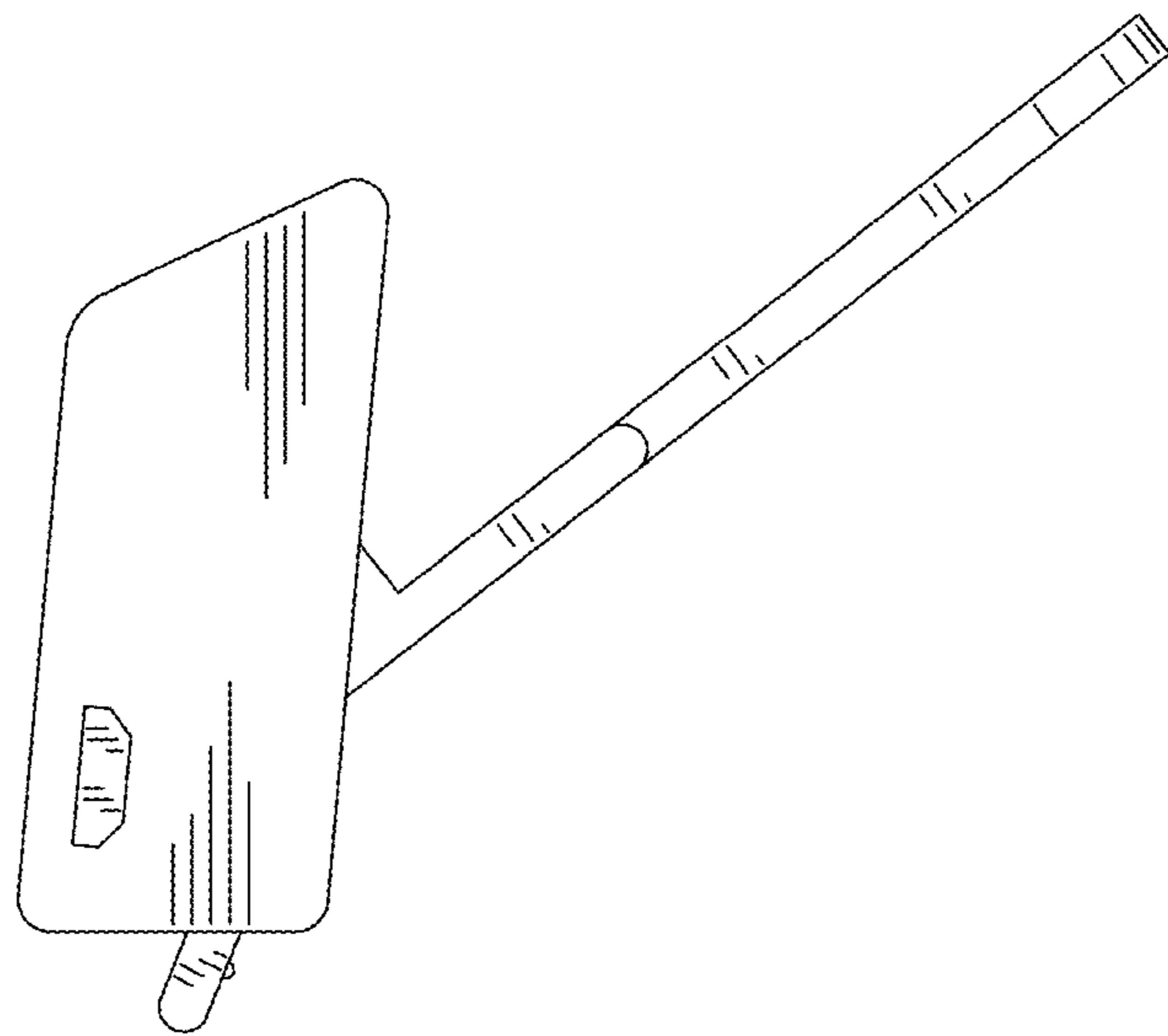


FIG. 12