



US00D774448S

(12) **United States Design Patent** (10) **Patent No.:** **US D774,448 S**
Smith (45) **Date of Patent:** **** Dec. 20, 2016**

(54) TIRE CHAIN LINK	5,072,763 A * 12/1991 Muller B60C 27/08 152/231
(71) Applicant: QUALITY CHAIN CANADA LTD., Surrey, British Columbia (CA)	6,039,100 A * 3/2000 Muller B60C 27/08 152/171
(72) Inventor: Wesley Smith, Surrey (CA)	6,520,231 B1 2/2003 Dohmeier
(73) Assignee: QUALITY CHAIN CANADA LTD., Surrey (CA)	7,299,842 B2 * 11/2007 Rieger B60C 27/08 152/231
(**) Term: 14 Years	7,930,874 B2 4/2011 Rieger et al.
	8,234,852 B2 8/2012 Pengg et al.
	8,276,630 B2 10/2012 Pengg et al.
	2005/0211356 A1 * 9/2005 Rieger B60C 27/08 152/231
	2010/0307127 A1 * 12/2010 Pengg F16G 13/12 59/84

(21) Appl. No.: **29/518,245**

(22) Filed: **Feb. 20, 2015**

(30) **Foreign Application Priority Data**

Jan. 21, 2015 (CA) 160,632

(51) **LOC (10) Cl.** **12-15**

(52) **U.S. Cl.**
USPC **D12/608**

(58) **Field of Classification Search**
USPC D12/500, 501, 544, 579, 604, 606-608;
152/210, 243
CPC B60C 27/08; B60C 11/1675
See application file for complete search history.

(56) **References Cited**

U.S. PATENT DOCUMENTS

1,379,620 A *	5/1921	Fisher	B60C 27/08 24/577.1
D104,270 S *	4/1937	Lafond	D12/608
3,892,268 A	7/1975	Asbeck		
4,063,583 A	12/1977	Rieger et al.		
4,928,740 A *	5/1990	Konig	B60C 27/08 152/226
4,947,912 A *	8/1990	Weidler	B60C 27/08 152/231
5,058,645 A	10/1991	Müller		

OTHER PUBLICATIONS

Quality Chain Canada. QCC Traction. 2015 [earliest online date], [site visited Jul. 15, 2016]. Available from Internet, <URL:http://www.qcctraction.com/>.*

* cited by examiner

Primary Examiner — Robert M Spear
Assistant Examiner — Darcey E Heflin
(74) *Attorney, Agent, or Firm* — Lewis Roca Rothgerber Christie LLP

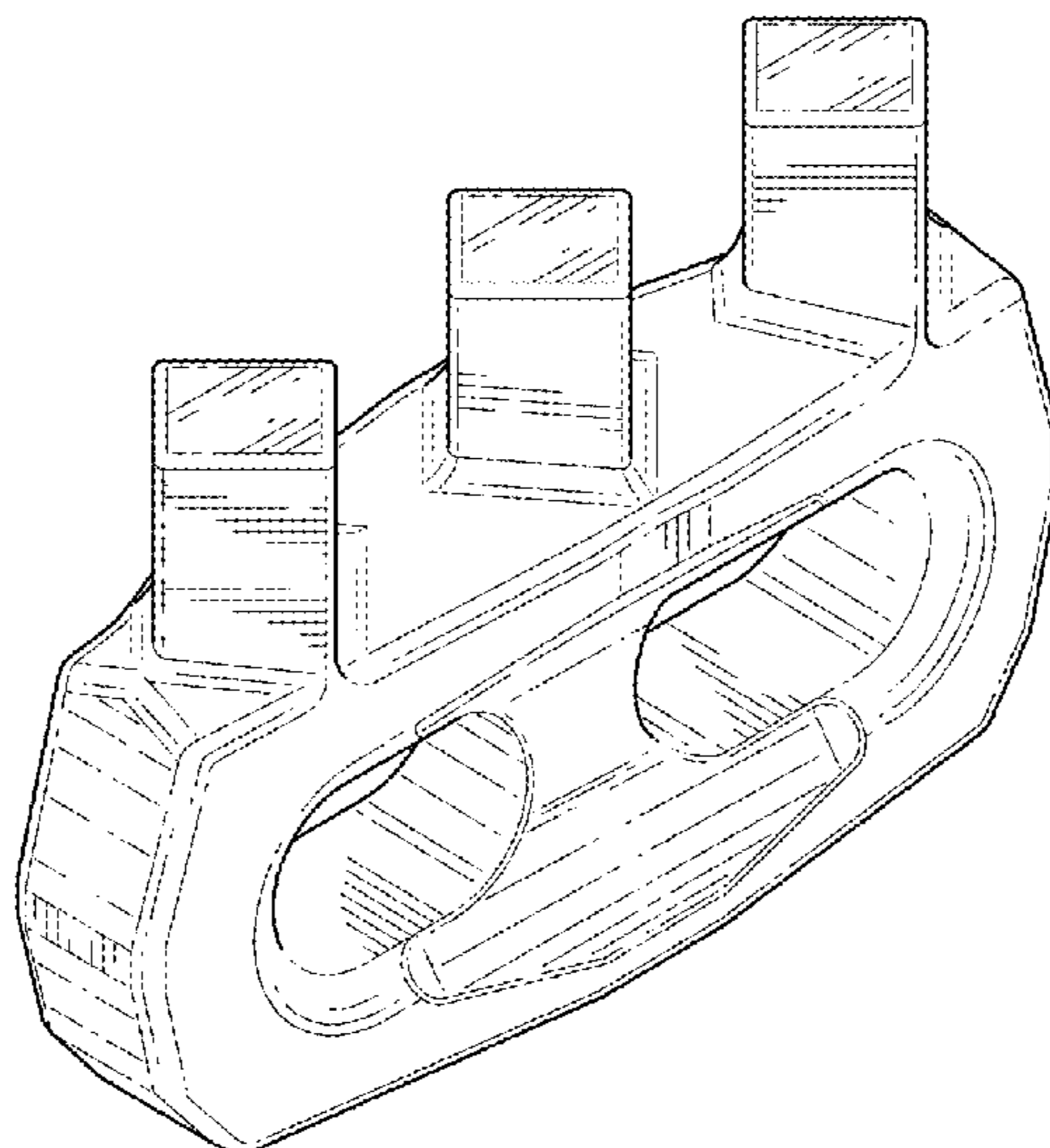
(57) **CLAIM**

The ornamental design for a tire chain link, as shown and described.

DESCRIPTION

FIG. 1 is a perspective view of a tire chain link;
FIG. 2 is a front view thereof;
FIG. 3 is a rear view thereof;
FIG. 4 is a left side view thereof;
FIG. 5 is a right side view thereof;
FIG. 6 is a top view thereof; and,
FIG. 7 is a bottom view thereof.

1 Claim, 4 Drawing Sheets



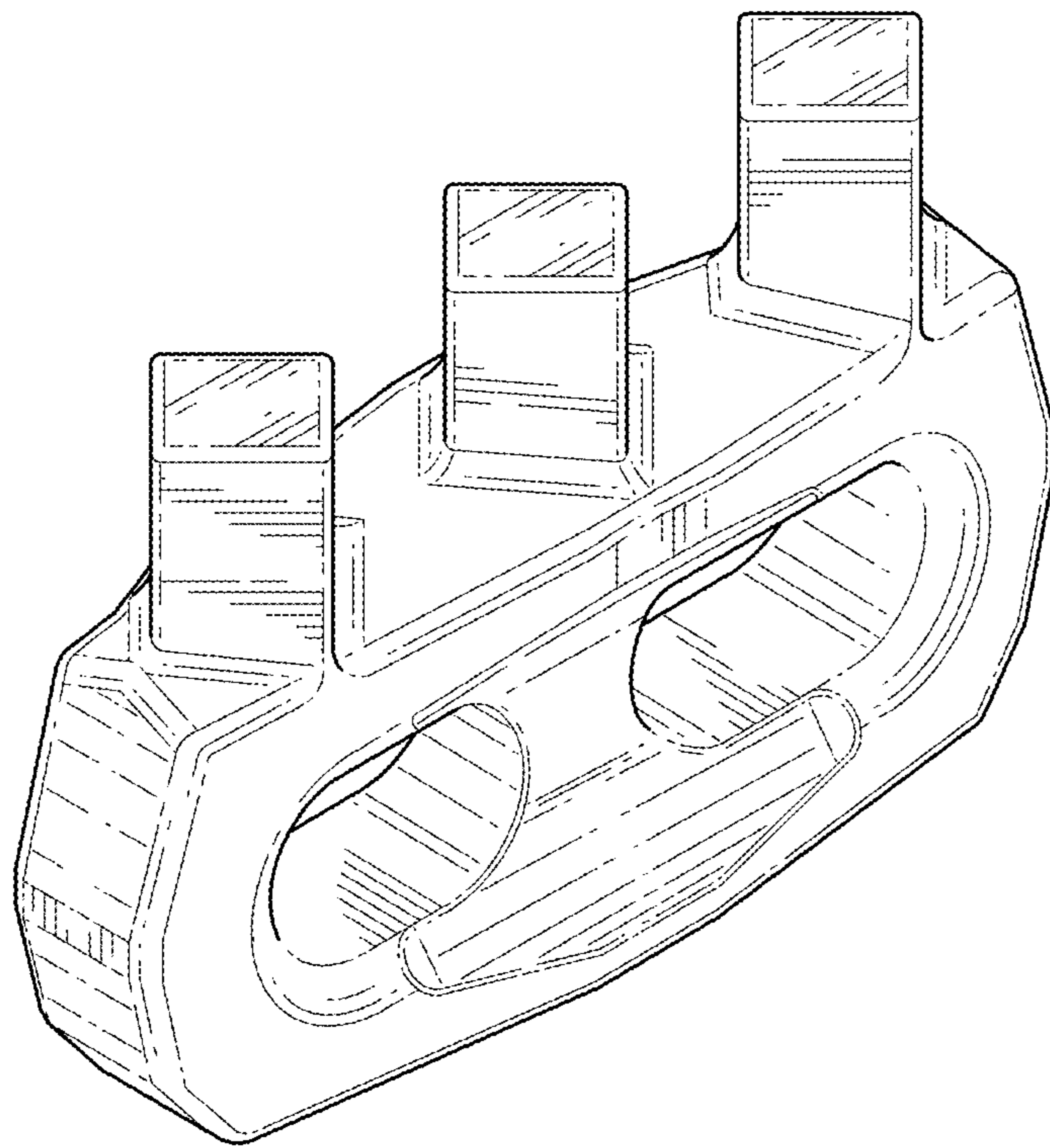


FIG. 1

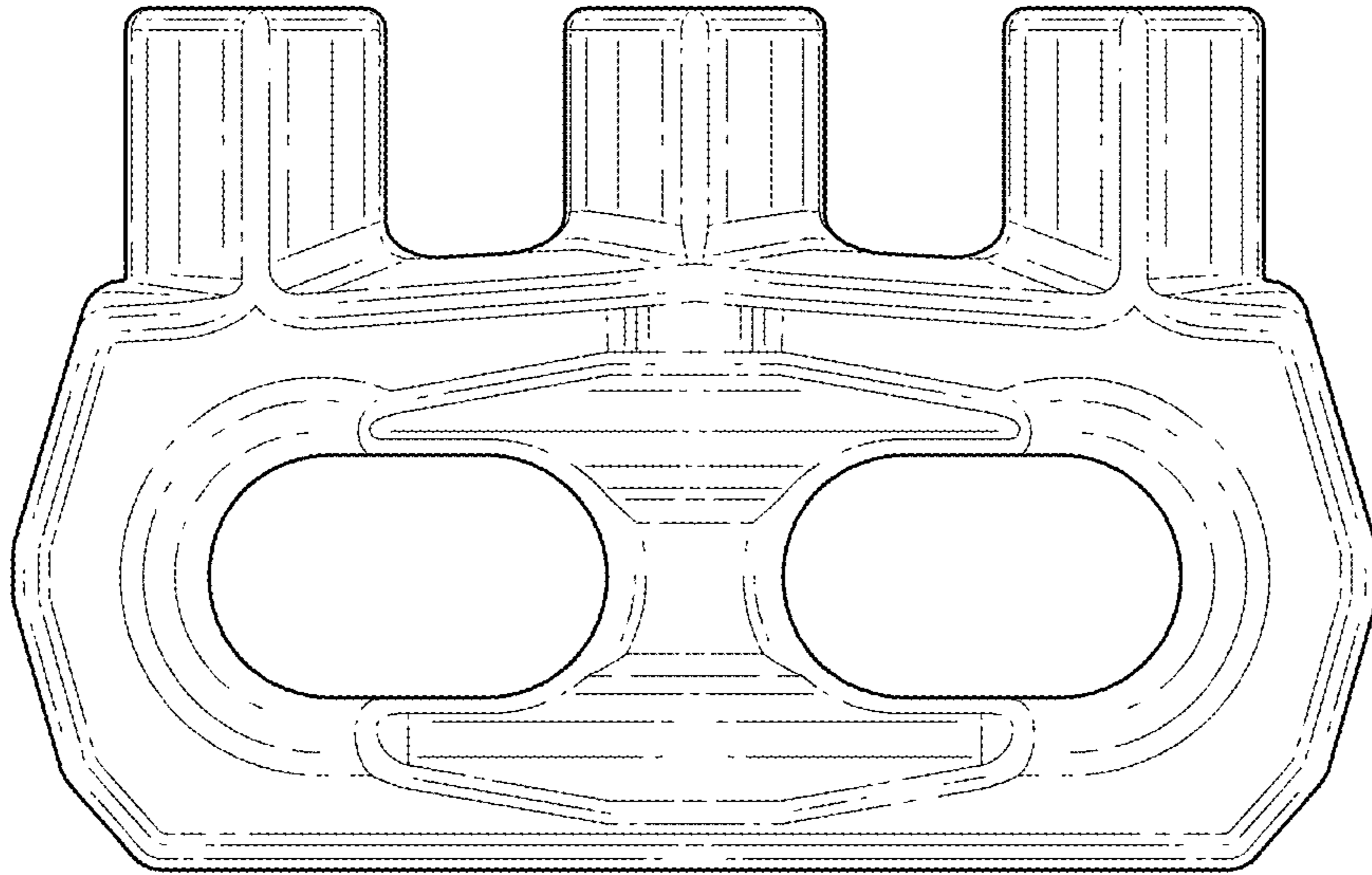


FIG. 2

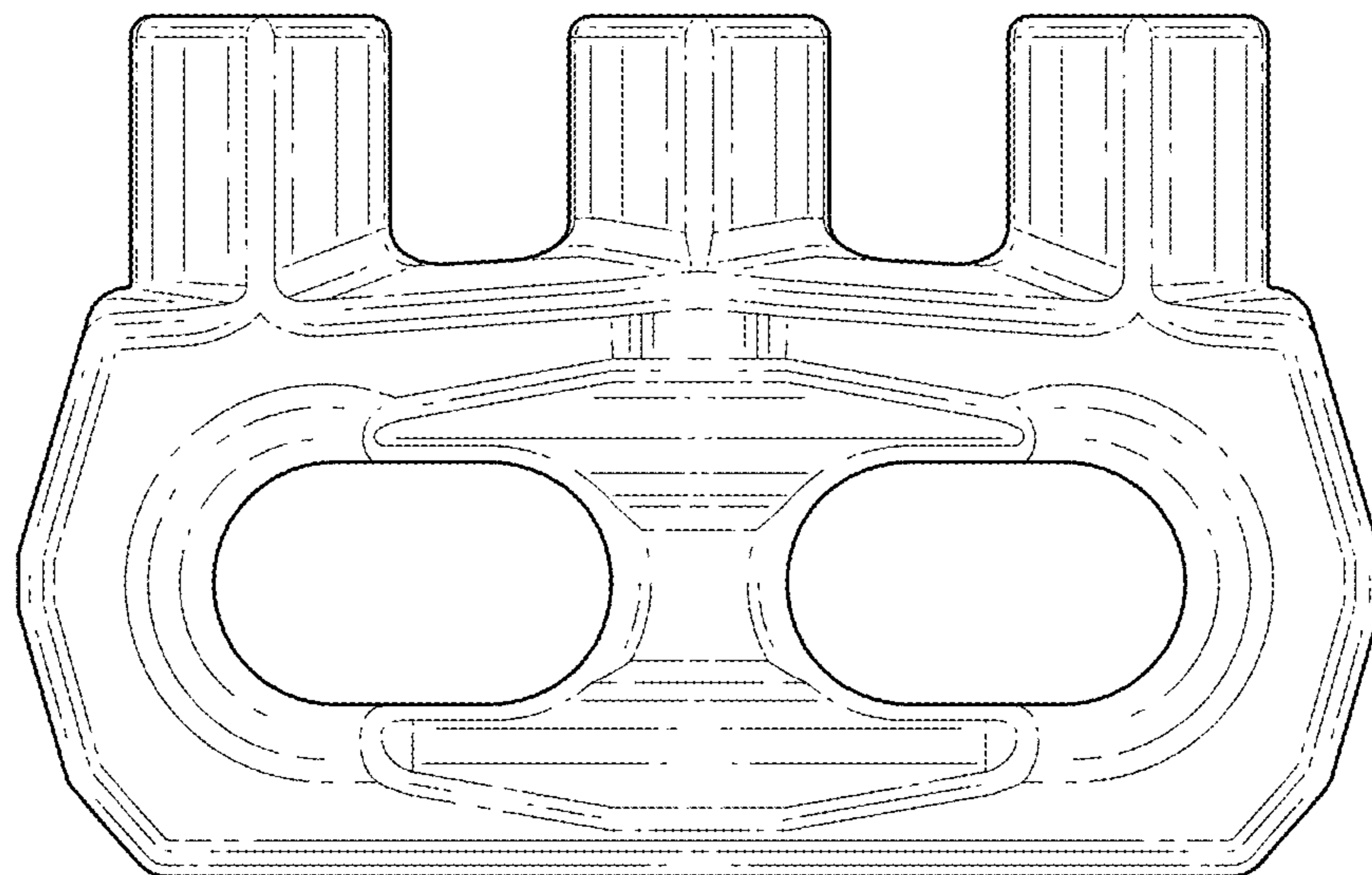


FIG. 3

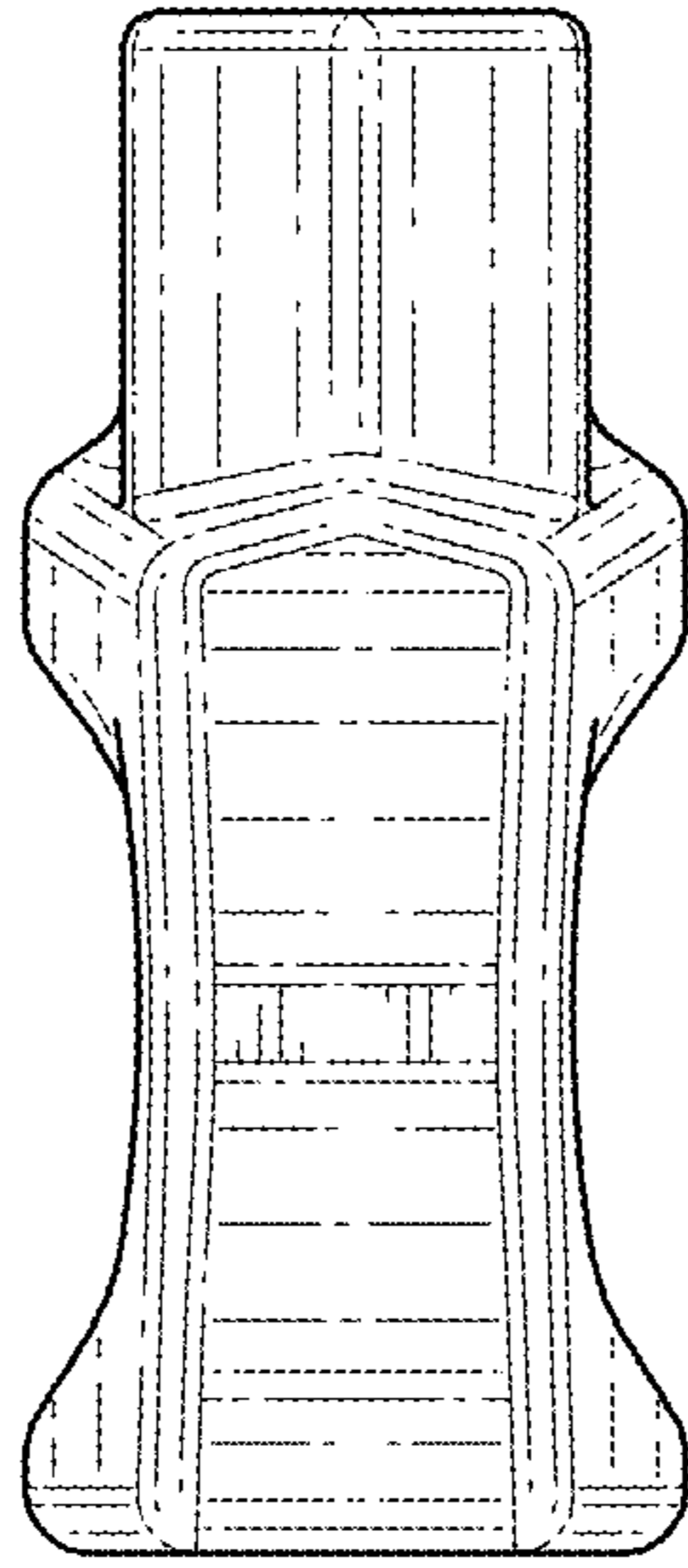


FIG. 4

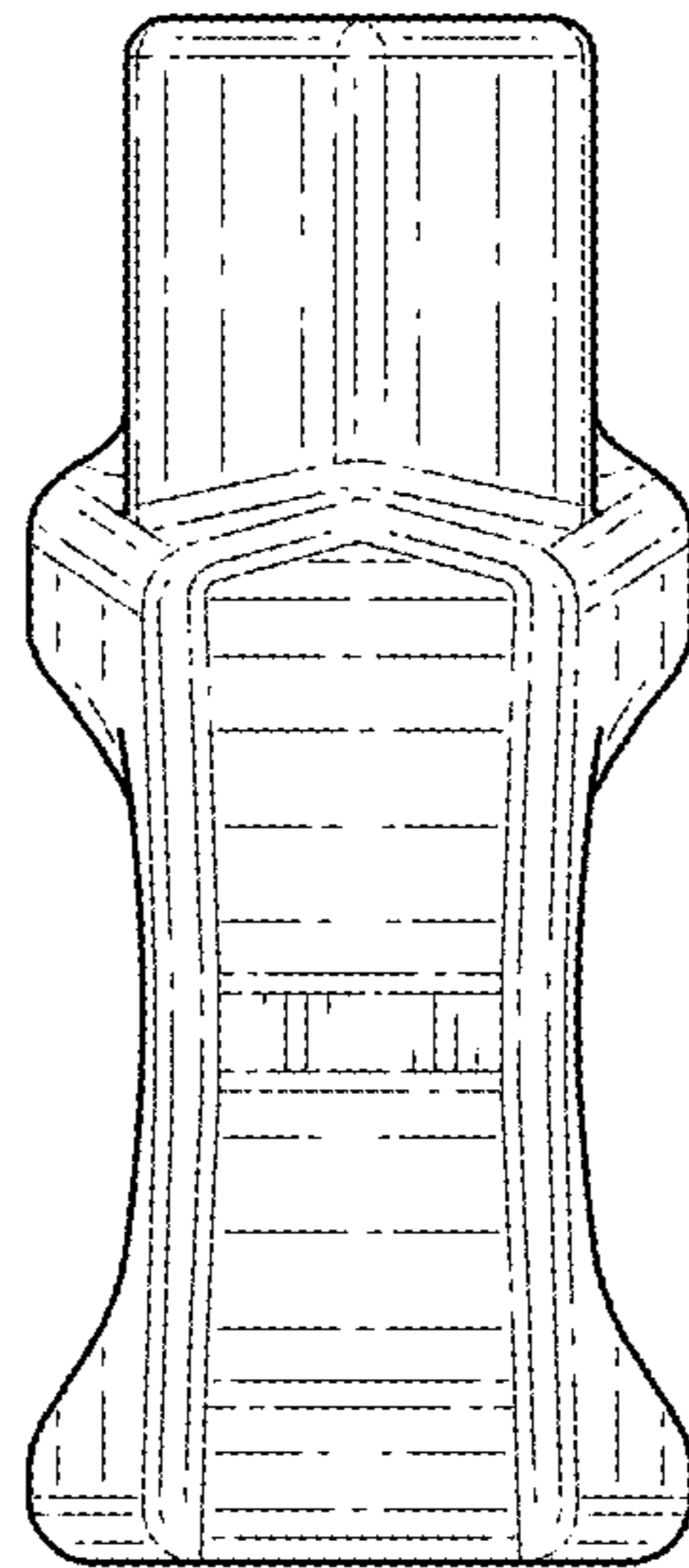


FIG. 5

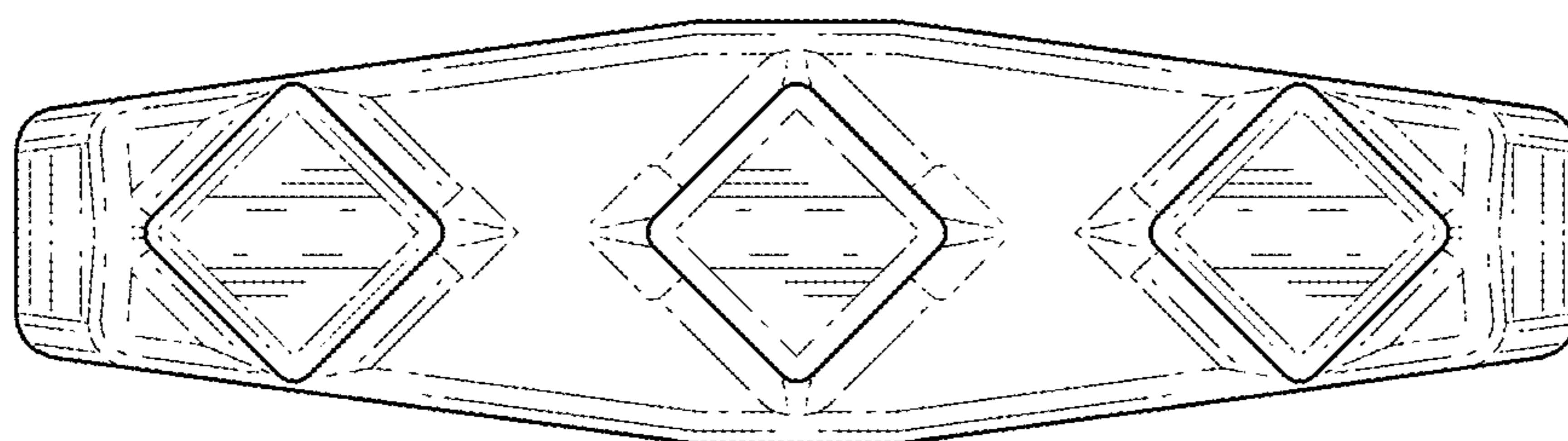


FIG. 6

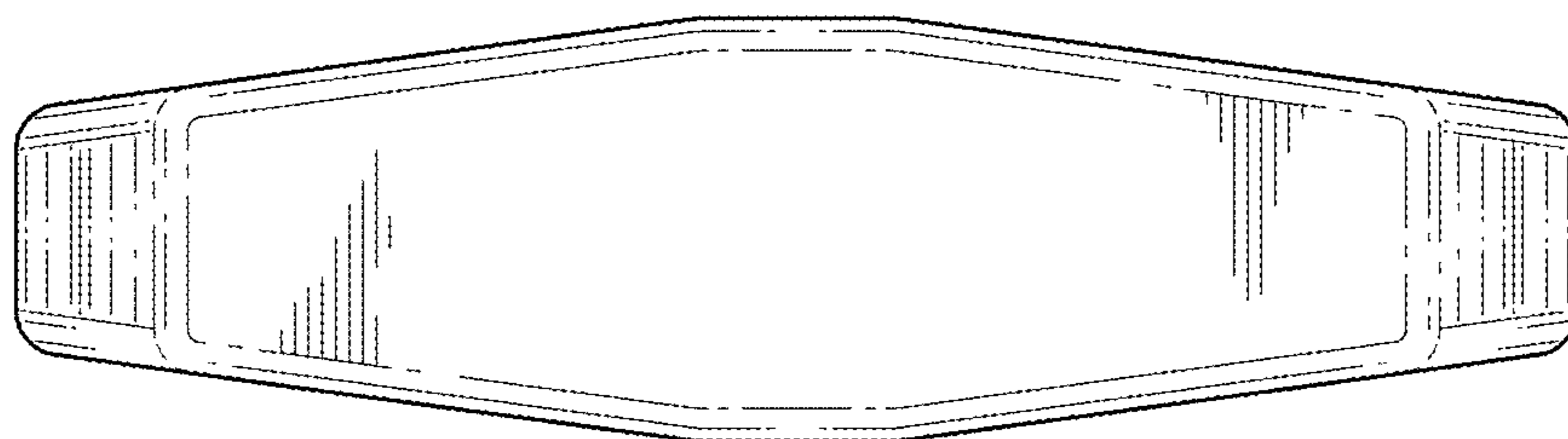


FIG. 7