



US00D774445S

(12) **United States Design Patent**
Jingjing et al.

(10) **Patent No.:** **US D774,445 S**

(45) **Date of Patent:** **** Dec. 20, 2016**

(54) **TIRE TREAD**

(71) Applicant: **Davanti Tyres Limited**, St. Helens (GB)

(72) Inventors: **Ma Jingjing**, Qingdao (CN); **Zhang Yixin**, Qingdao (CN); **Wan Junrui**, Qingdao (CN); **Liu Junjie**, Qingdao (CN); **Ge Yingli**, Qingdao (CN)

(73) Assignee: **Davanti Tyres Limited**, Merseyside (GB)

(**) Term: **15 Years**

(21) Appl. No.: **29/532,580**

(22) Filed: **Jul. 8, 2015**

(51) **LOC (10) Cl.** **12-15**

(52) **U.S. Cl.**
USPC **D12/603; D12/604**

(58) **Field of Classification Search**
USPC **D12/568-604, 900**
CPC **B60C 1/0016; B60C 11/0306; B60C 11/0302; B60C 3/06; B60C 9/17**
See application file for complete search history.

(56) **References Cited**

U.S. PATENT DOCUMENTS

D389,788 S *	1/1998	Galante	D12/597
D667,363 S *	9/2012	Kudo	D12/584
D730,270 S *	5/2015	Krier	D12/584
D740,216 S *	10/2015	Parr	D12/582
D741,252 S *	10/2015	Wakishima	D12/584
D744,938 S *	12/2015	Wang	D12/584
D753,054 S *	4/2016	Fujita	D12/585
D754,061 S *	4/2016	Nagamoto	D12/584

OTHER PUBLICATIONS

Davanti DX420 Tire found online [Feb. 25, 2016] <http://www.davanti-tyres.com/tyrerange/tyreDetails?treaduid=49f91745-2c2c-4267-b7ea-95bc89731a95>.*

* cited by examiner

Primary Examiner — Robert M Spear

Assistant Examiner — John Voytek

(74) *Attorney, Agent, or Firm* — Antoinette M. Tease

(57) **CLAIM**

The design for a tire tread, as shown and described.

DESCRIPTION

FIG. 1 is a perspective view of a tire tread showing the new design.

FIG. 2 is a front view of a tire tread showing the new design.

FIG. 3 is a rear view of a tire tread showing the new design.

FIG. 4 is a top view of a tire tread showing the new design.

FIG. 5 is a bottom view of a tire tread showing the new design.

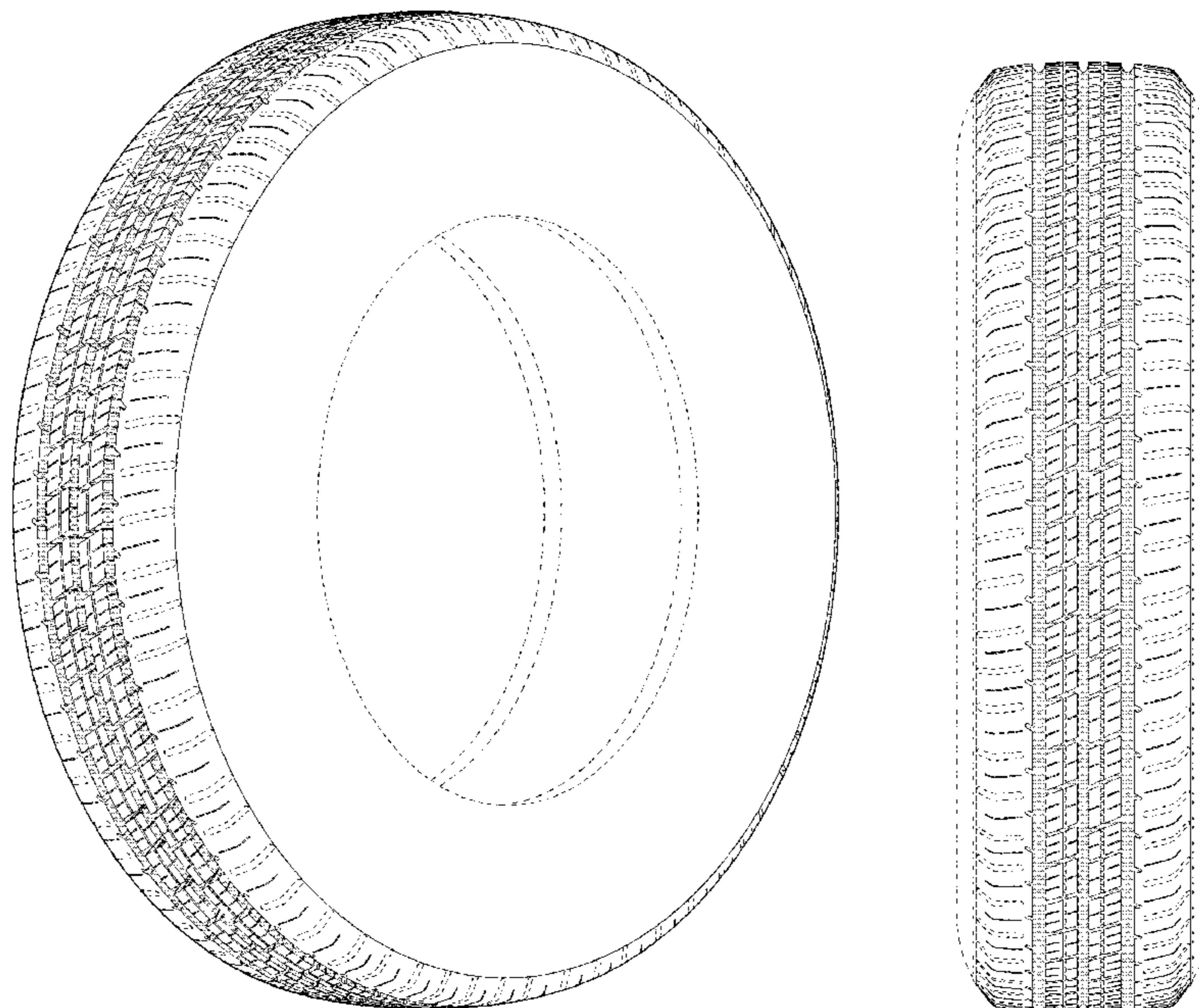
FIG. 6 is a first side (left) view of a tire tread showing the new design; and,

FIG. 7 is a second side (right) view of a tire tread showing the new design.

In the drawings, the broken lines depict environmental subject matter only and form no part of the claimed design.

It is understood that the stippled shading represents grooves having the configuration and depth as shown at the top and bottom of FIGS. 2 through 5.

1 Claim, 4 Drawing Sheets



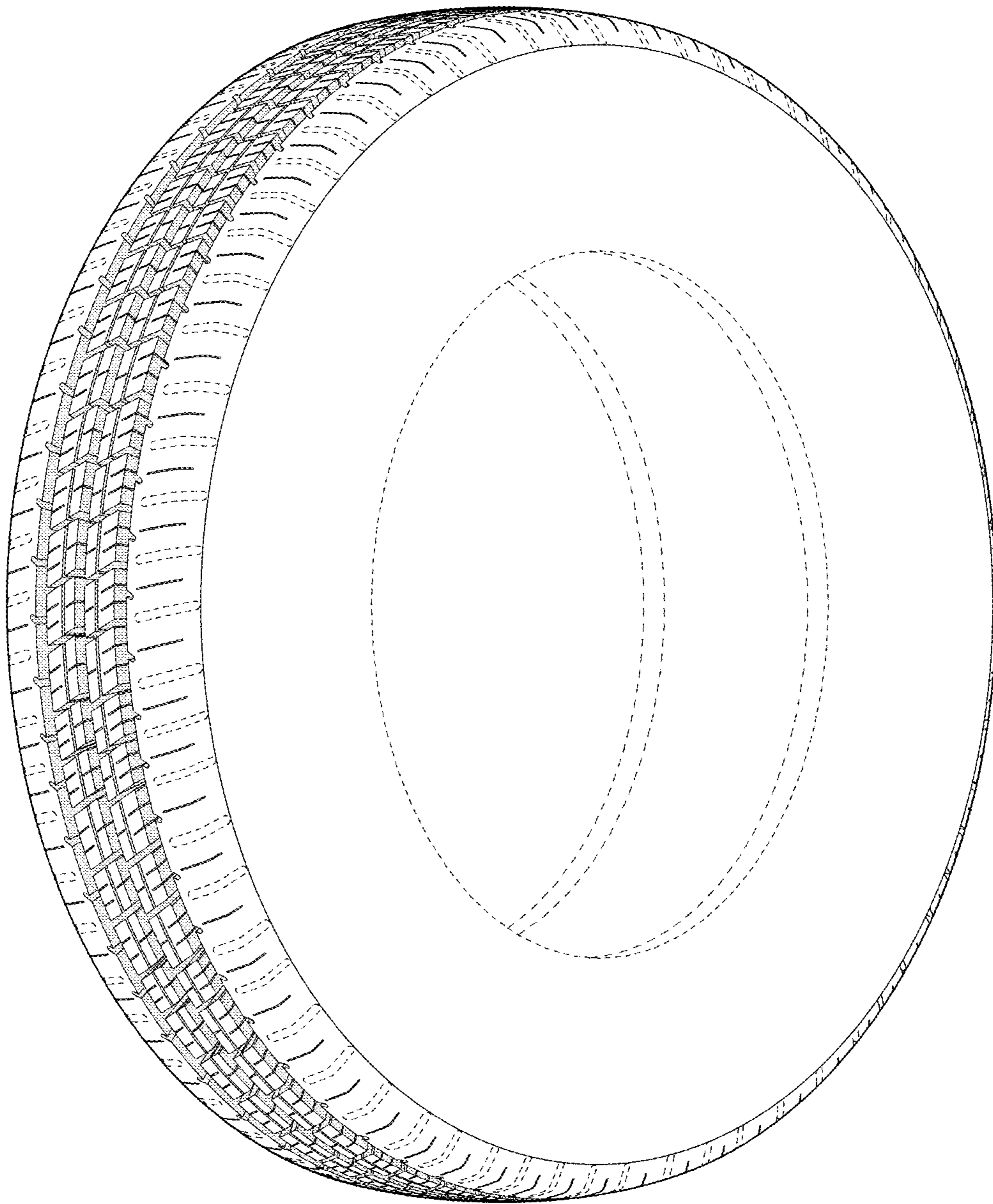


Fig.1



Replacement Sheet
2/4

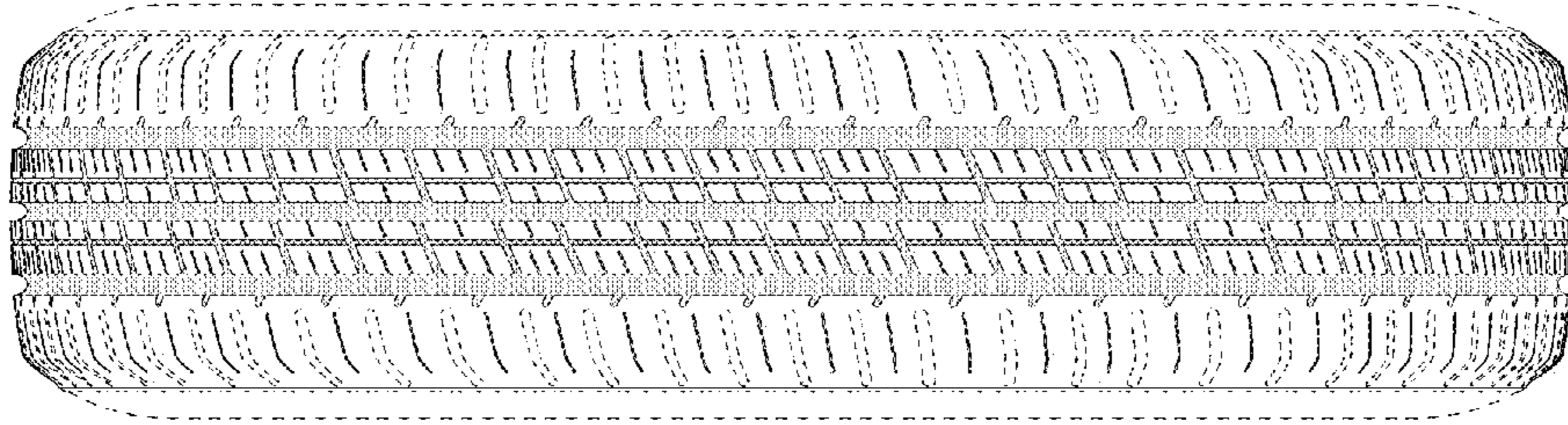


Fig.5

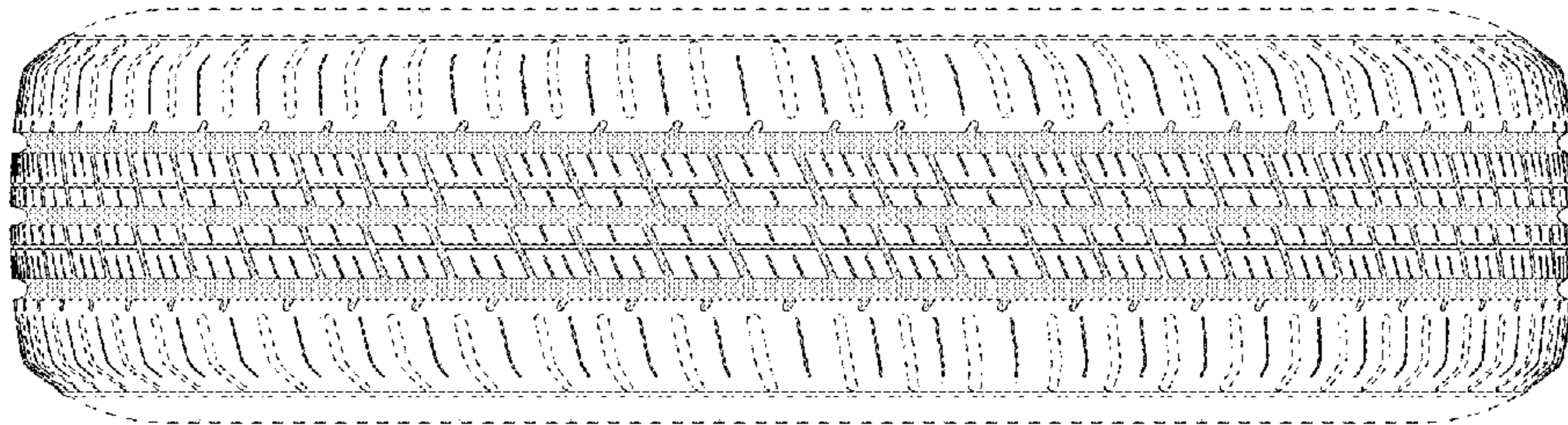


Fig.4

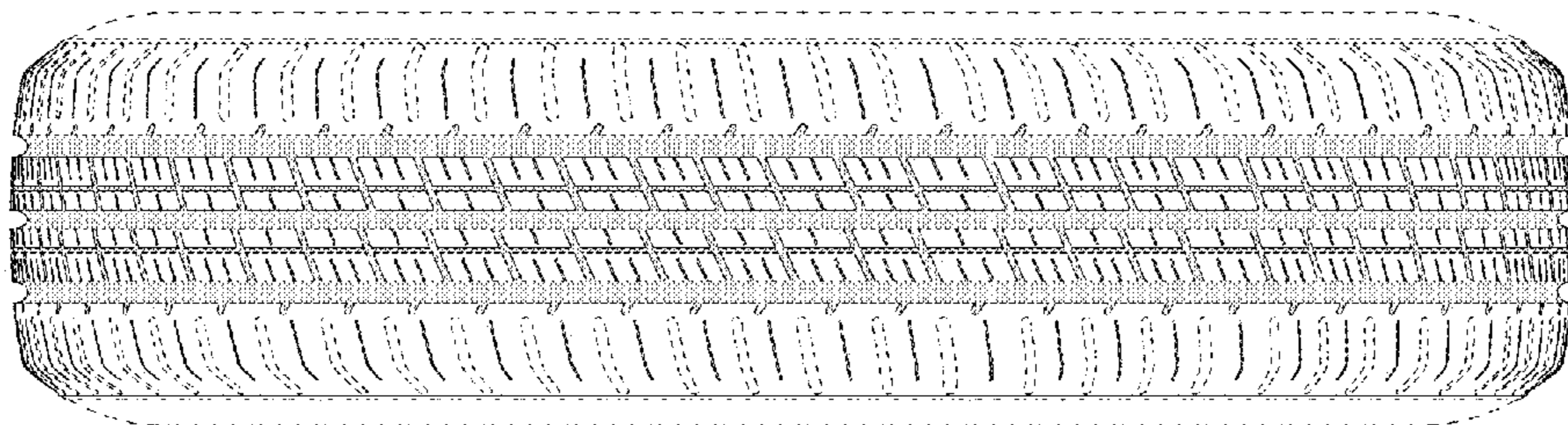


Fig.3

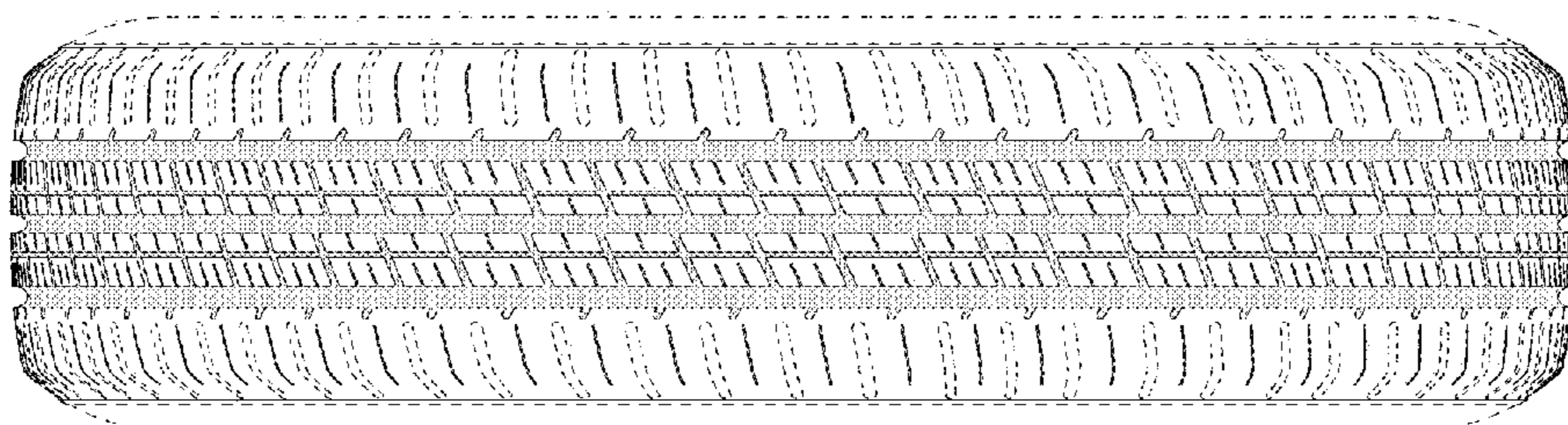


Fig.2



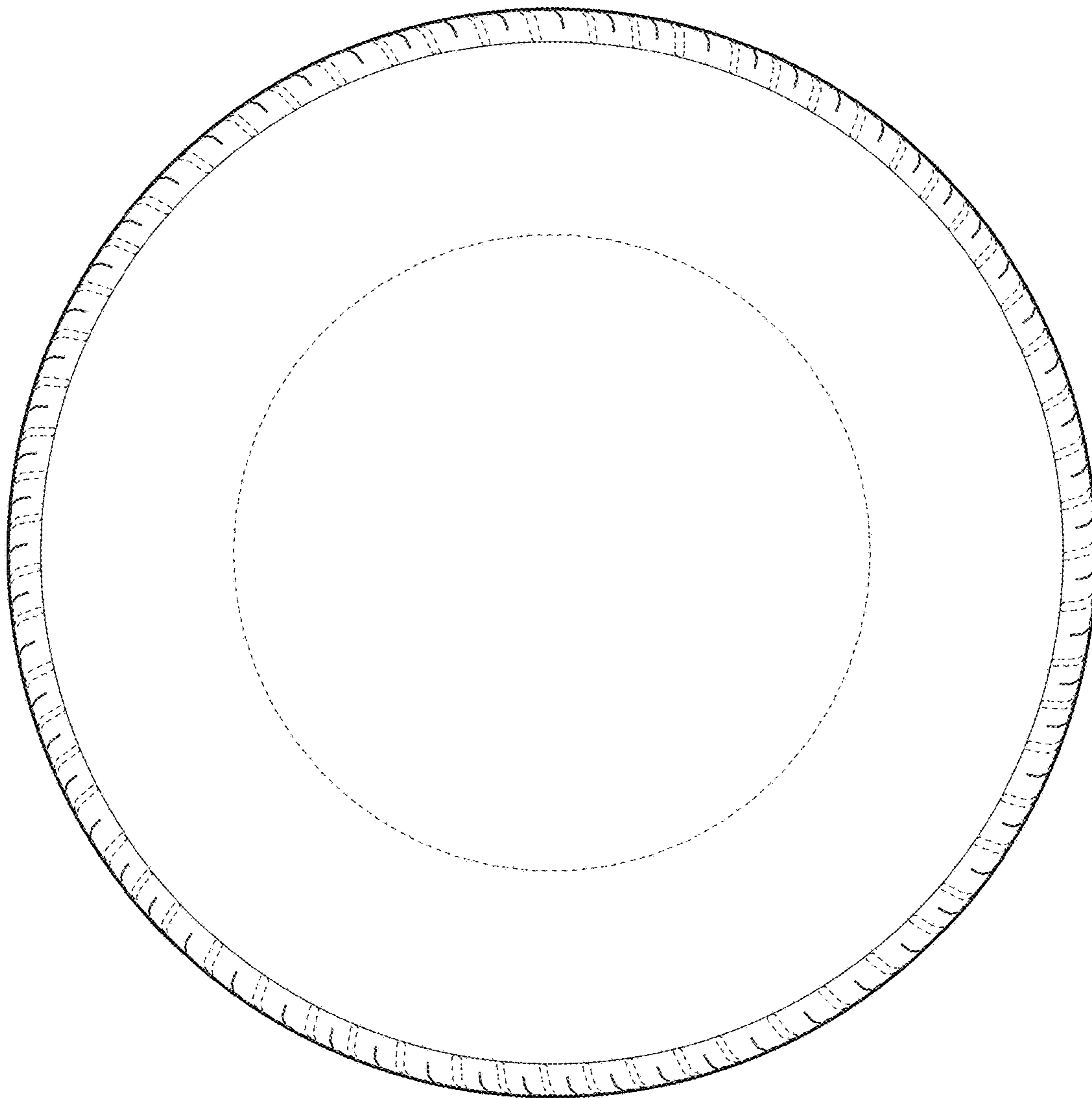


Fig.6

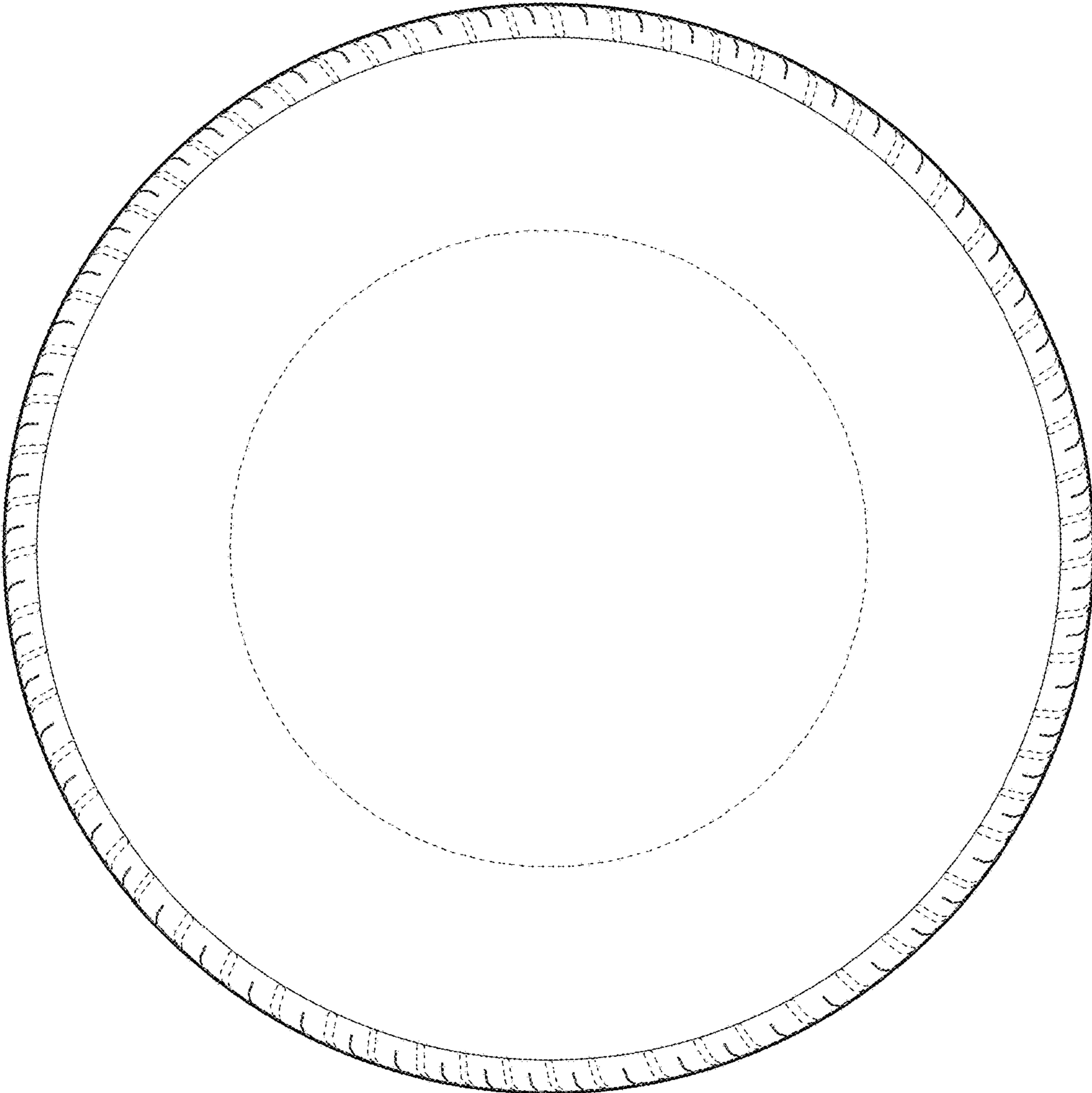


Fig.7