



US00D774444S

(12) **United States Design Patent**
Takahashi et al.

(10) **Patent No.:** **US D774,444 S**

(45) **Date of Patent:** **** Dec. 20, 2016**

(54) **AUTOMOBILE TIRE**

FOREIGN PATENT DOCUMENTS

(71) Applicant: **TOYO TIRE & RUBBER CO., LTD.**,
Osaka-shi, Osaka (JP)

JP 1154613 S 9/2002
JP 1308134 S 8/2007

(72) Inventors: **Toshihiko Takahashi**, Osaka (JP);
Yoshiki Sato, Osaka (JP)

OTHER PUBLICATIONS

(73) Assignee: **TOYO TIRE & RUBBER CO., LTD.**,
Osaka-shi (JP)

Federal Super Steel SS595 Tire found online [Jun. 21, 2016]
http://tiresaddict.com/vendor/federal/super_steel_ss595/.*

(**) Term: **15 Years**

* cited by examiner

(21) Appl. No.: **29/529,030**

Primary Examiner — Robert M Spear

Assistant Examiner — John Voytek

(22) Filed: **Jun. 3, 2015**

(74) *Attorney, Agent, or Firm* — Westerman, Hattori,
Daniels & Adrian, LLP

(30) **Foreign Application Priority Data**

Apr. 23, 2015 (JP) 2015-009209

(51) **LOC (10) Cl.** **12-15**

(52) **U.S. Cl.**
USPC **D12/563**

(58) **Field of Classification Search**

USPC D12/533–567

CPC B60C 1/0016; B60C 11/0306; B60C
11/0302; B60C 3/06; B60C 9/17

See application file for complete search history.

(56) **References Cited**

U.S. PATENT DOCUMENTS

D349,478 S * 8/1994 Himuro D12/552
5,421,391 A * 6/1995 Himuro B60C 11/0302
152/209.18

D366,020 S * 1/1996 Himuro D12/552
D423,420 S * 4/2000 Ratliff, Jr. D12/567
D472,515 S * 4/2003 Hutz D12/551
D486,122 S * 2/2004 Ratliff, Jr. D12/540
D486,780 S * 2/2004 Maxwell D12/546
D524,726 S * 7/2006 Dixon D12/553

(57) **CLAIM**

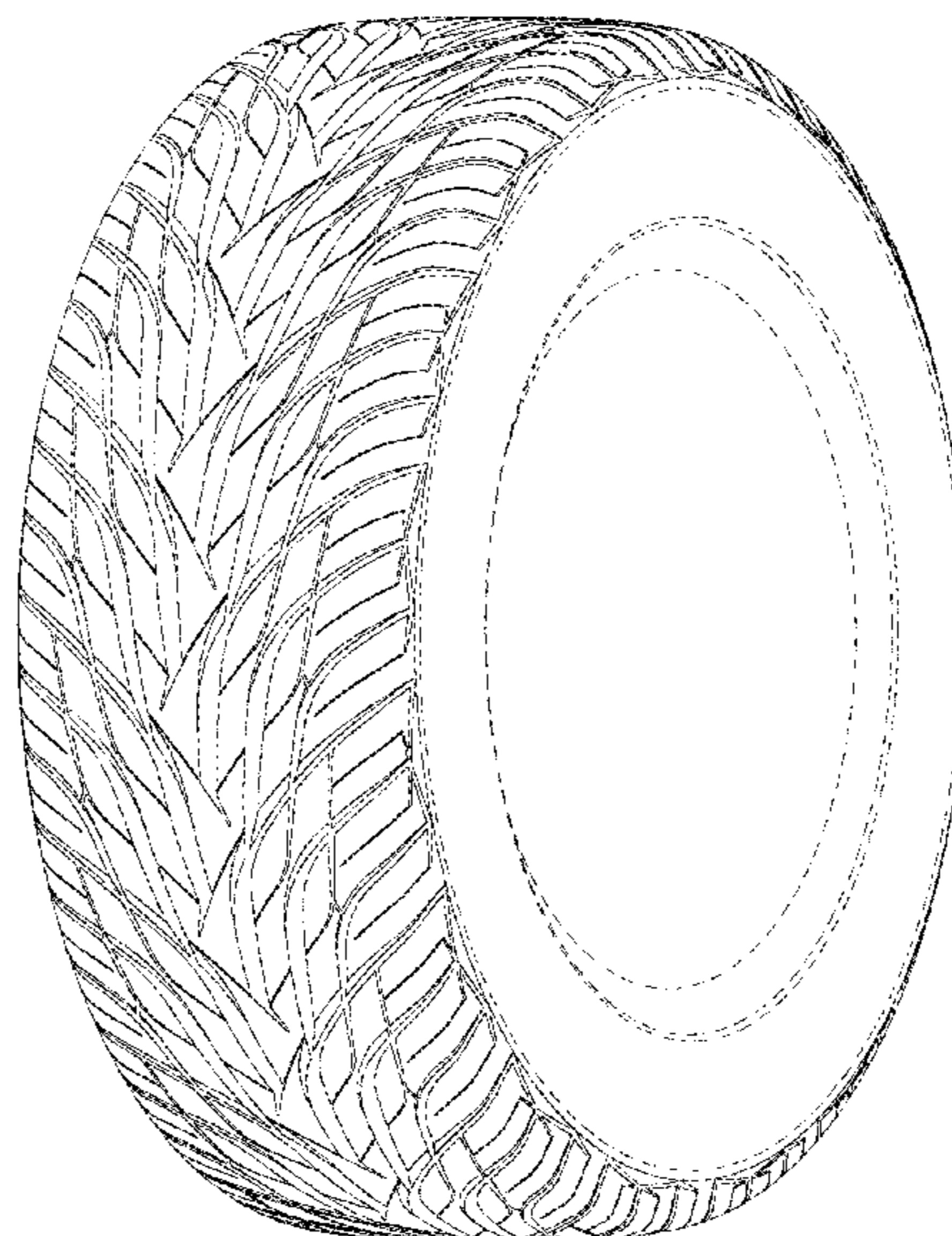
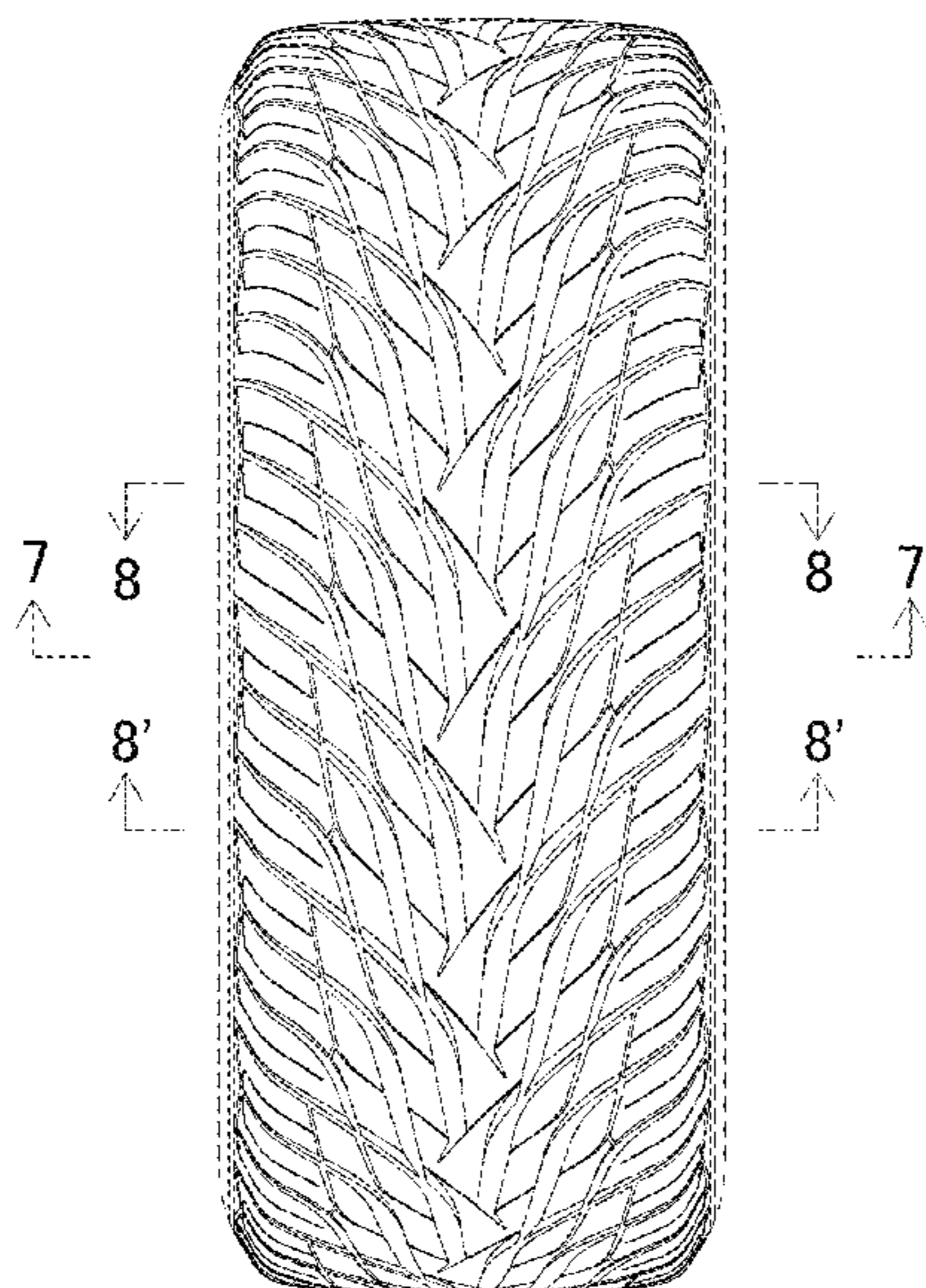
The ornamental design for an automobile tire, as shown and described.

DESCRIPTION

FIG. 1 a front view of an automobile tire;
FIG. 2 is a rear view thereof;
FIG. 3 is a top plan view thereof, for which the bottom plan view is the same;
FIG. 4 is a right-side view thereof;
FIG. 5 is a left-side view thereof;
FIG. 6 is a perspective view thereof;
FIG. 7 is an enlarged cross sectional view along line 7-7 in FIG. 1, in an area designated by "7" in FIG. 4 thereof; and,
FIG. 8 is an enlarged sectional view taken along line 8-8 and line 8'-8' in FIG. 1.

In the drawings, the broken lines defining the sidewall, inner bead and the peripheral boundary between the claimed tire tread and the unclaimed sidewall depict environmental subject matter that forms no part of the claimed design.

1 Claim, 8 Drawing Sheets



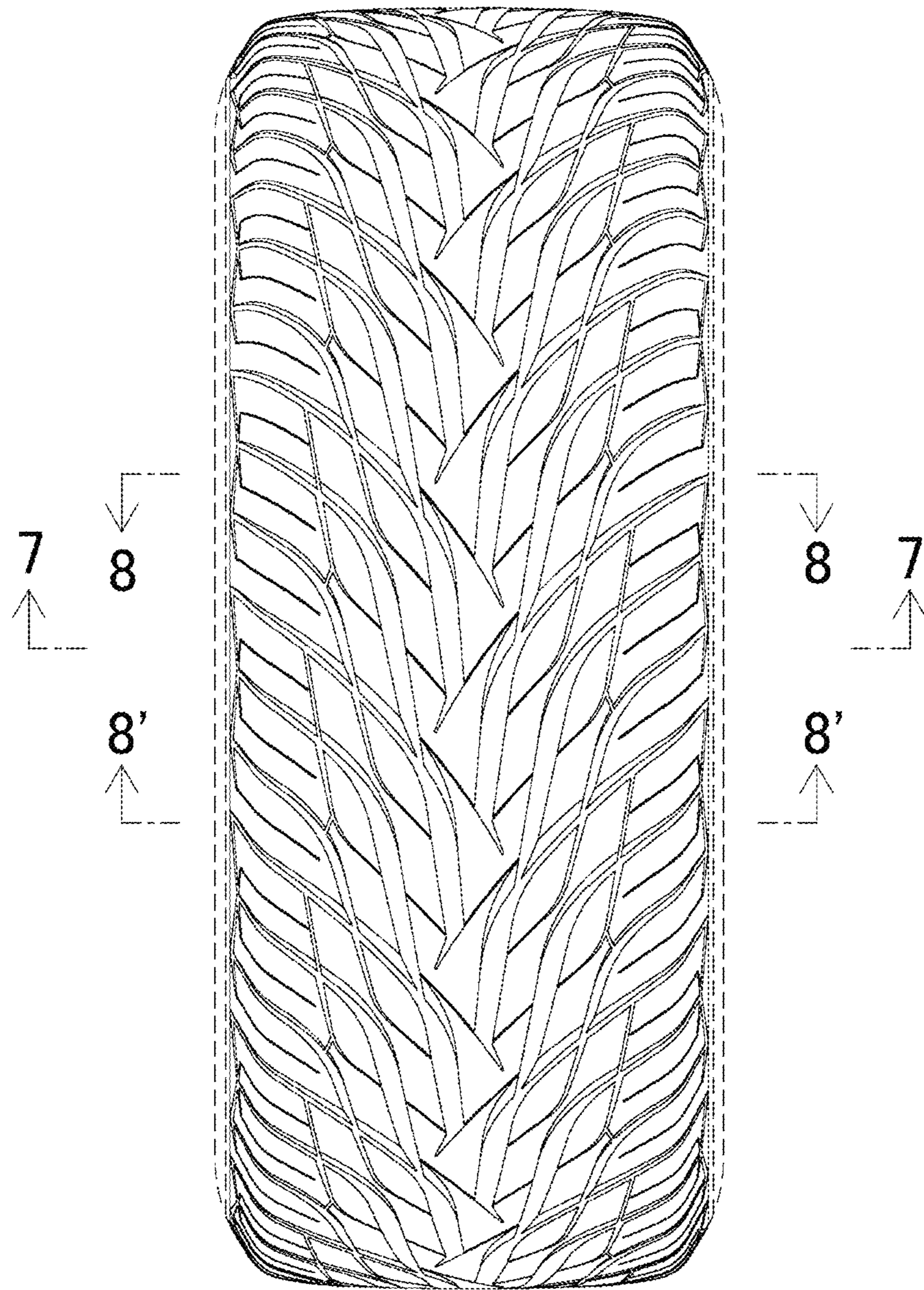


FIG. 1

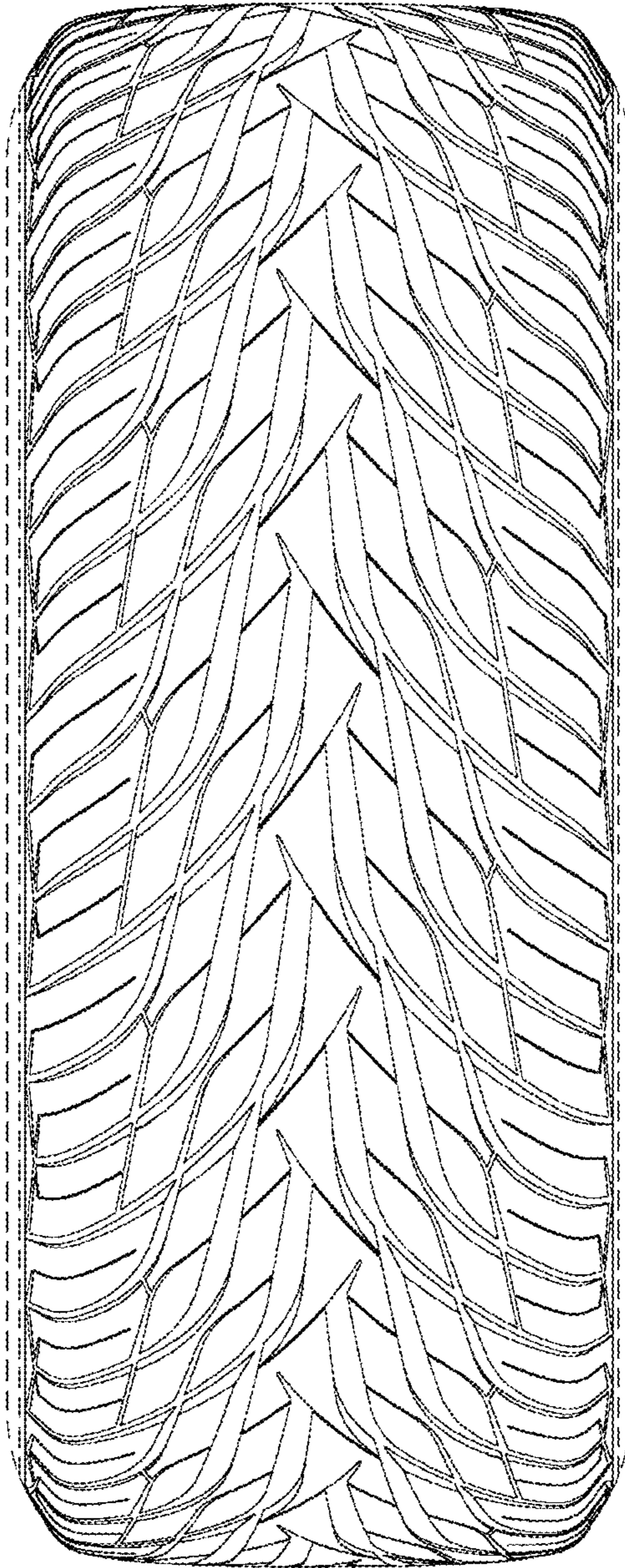


FIG. 2

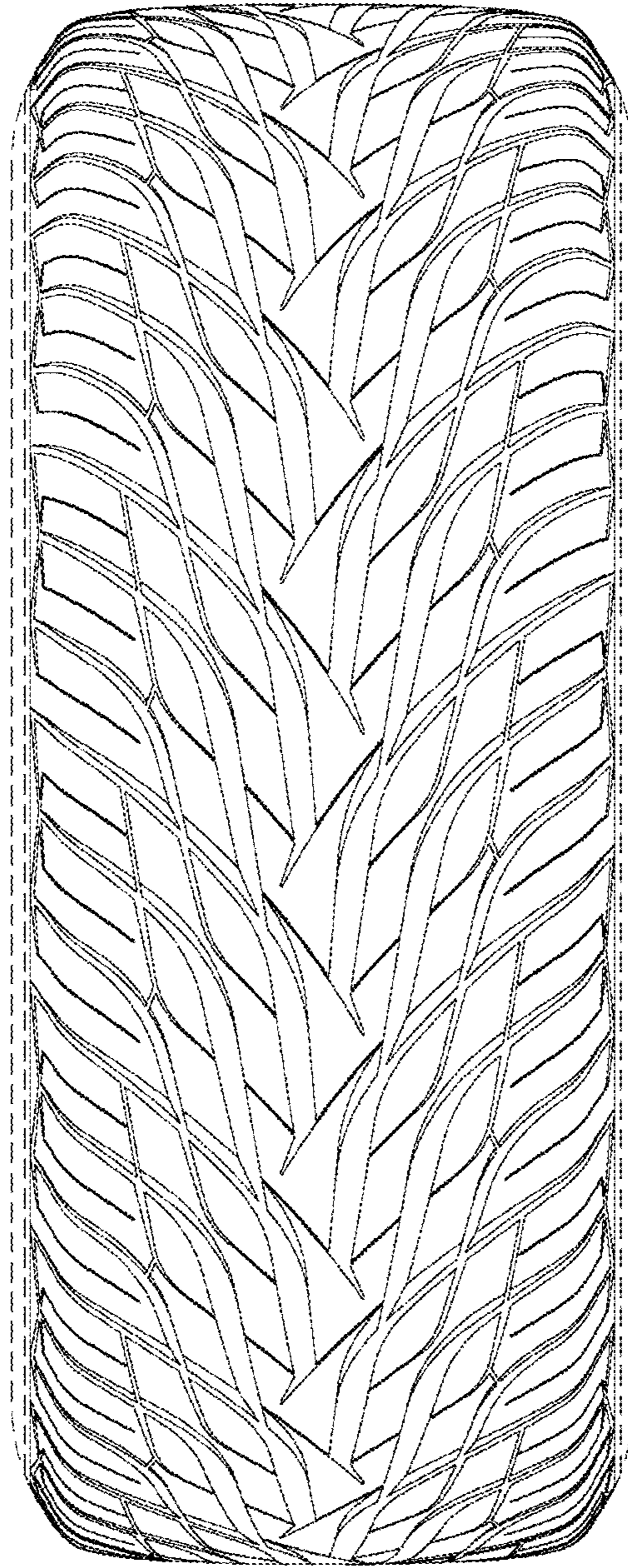


FIG. 3

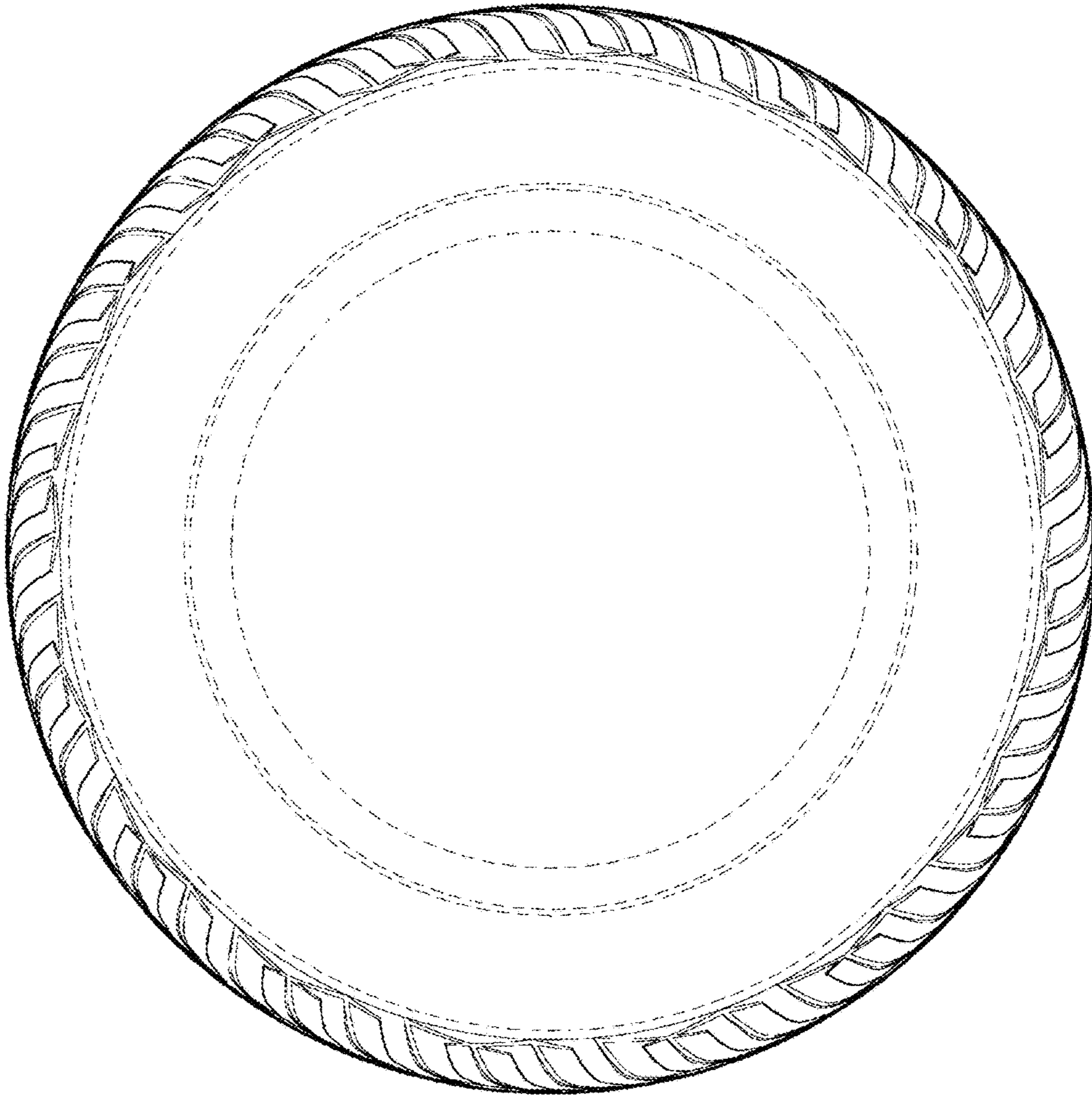


FIG.4

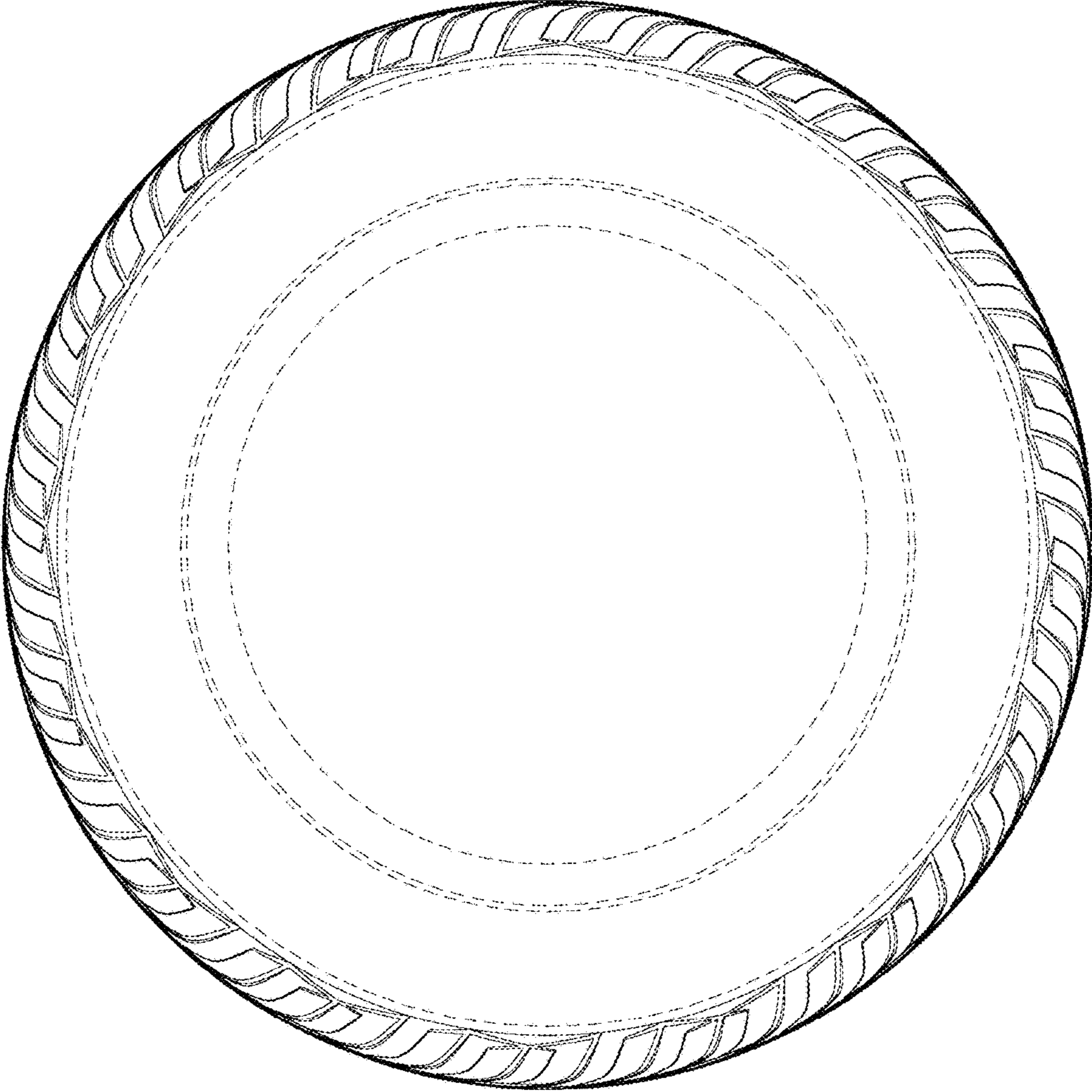


FIG.5

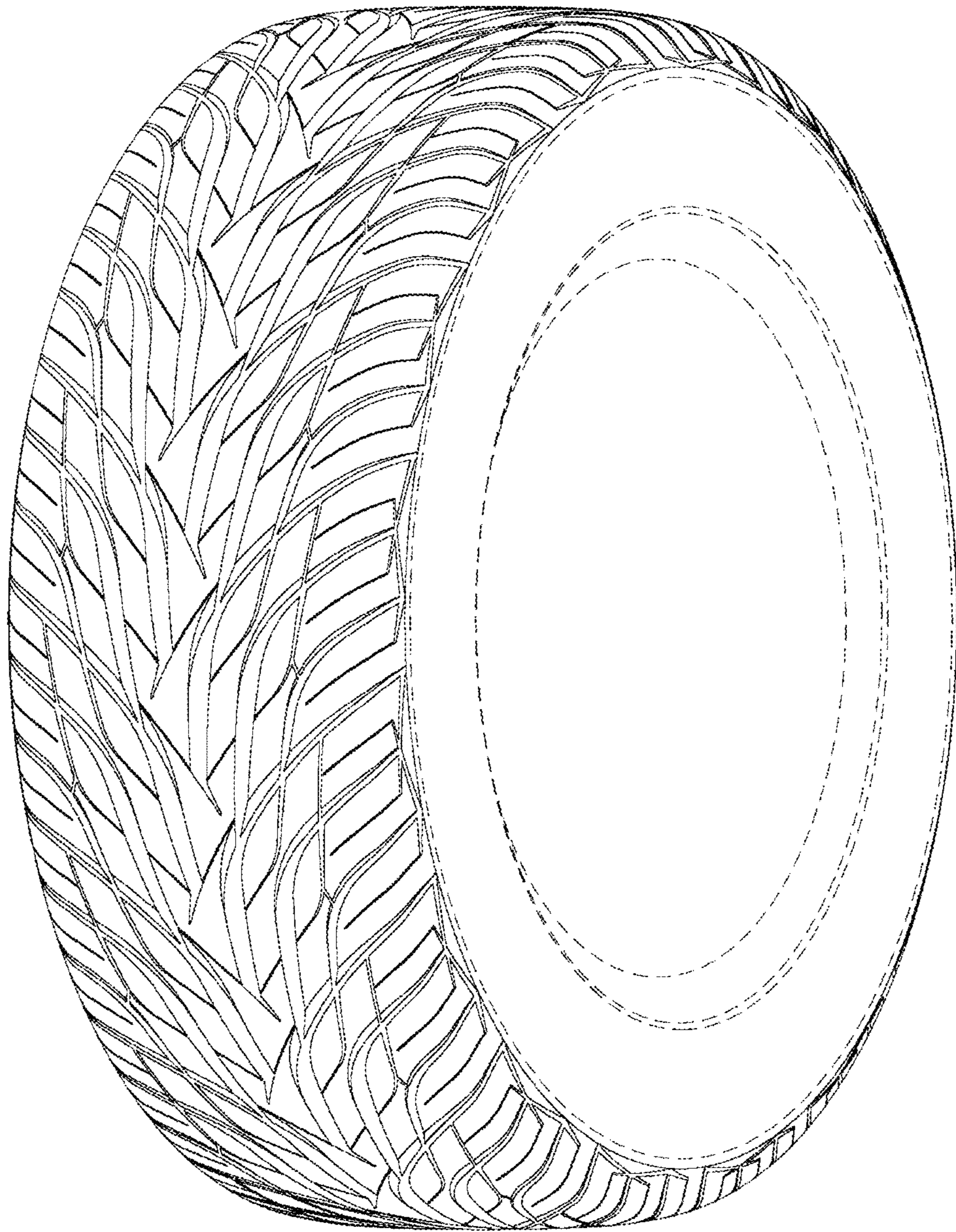


FIG.6

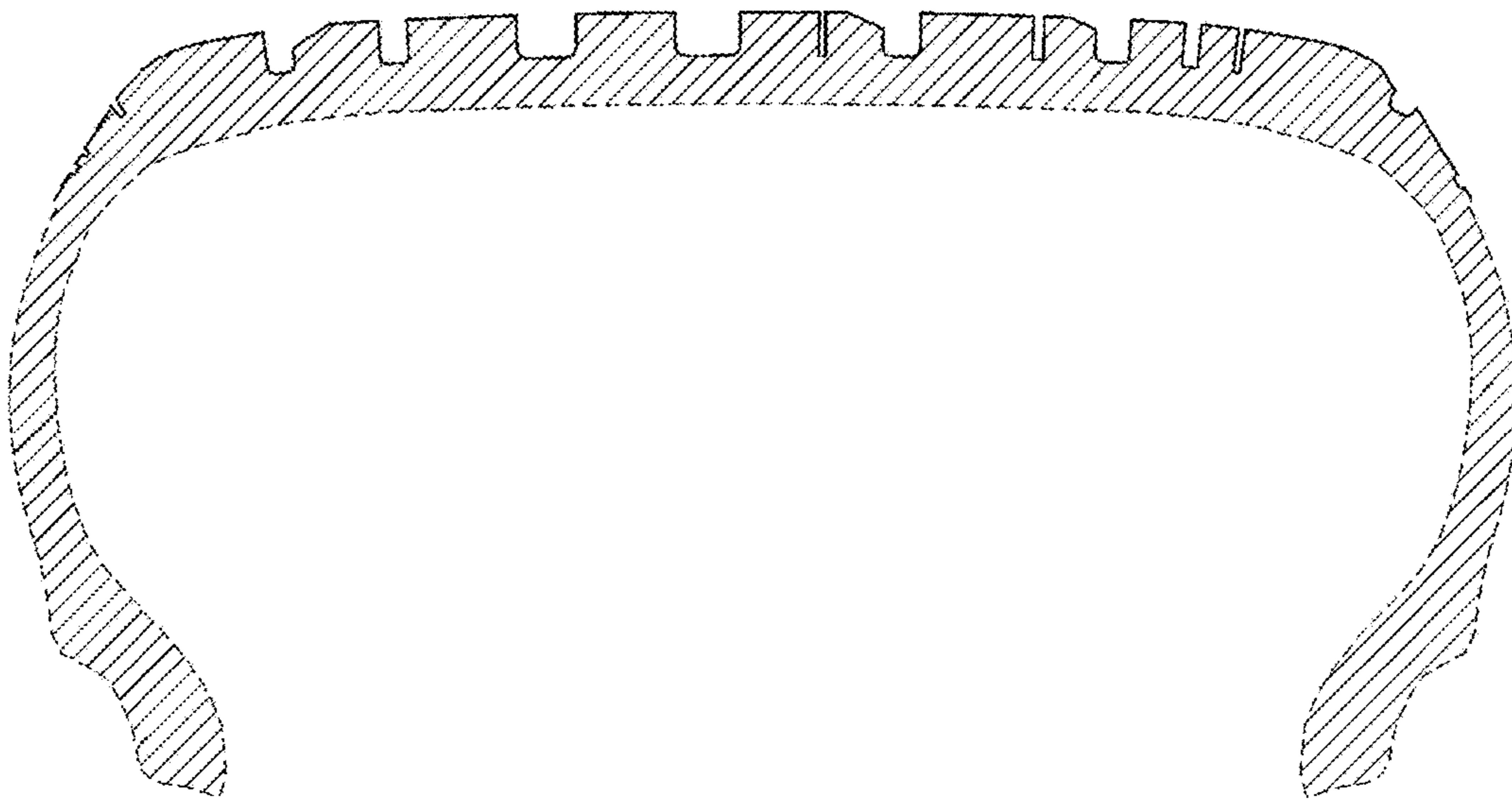


FIG. 7

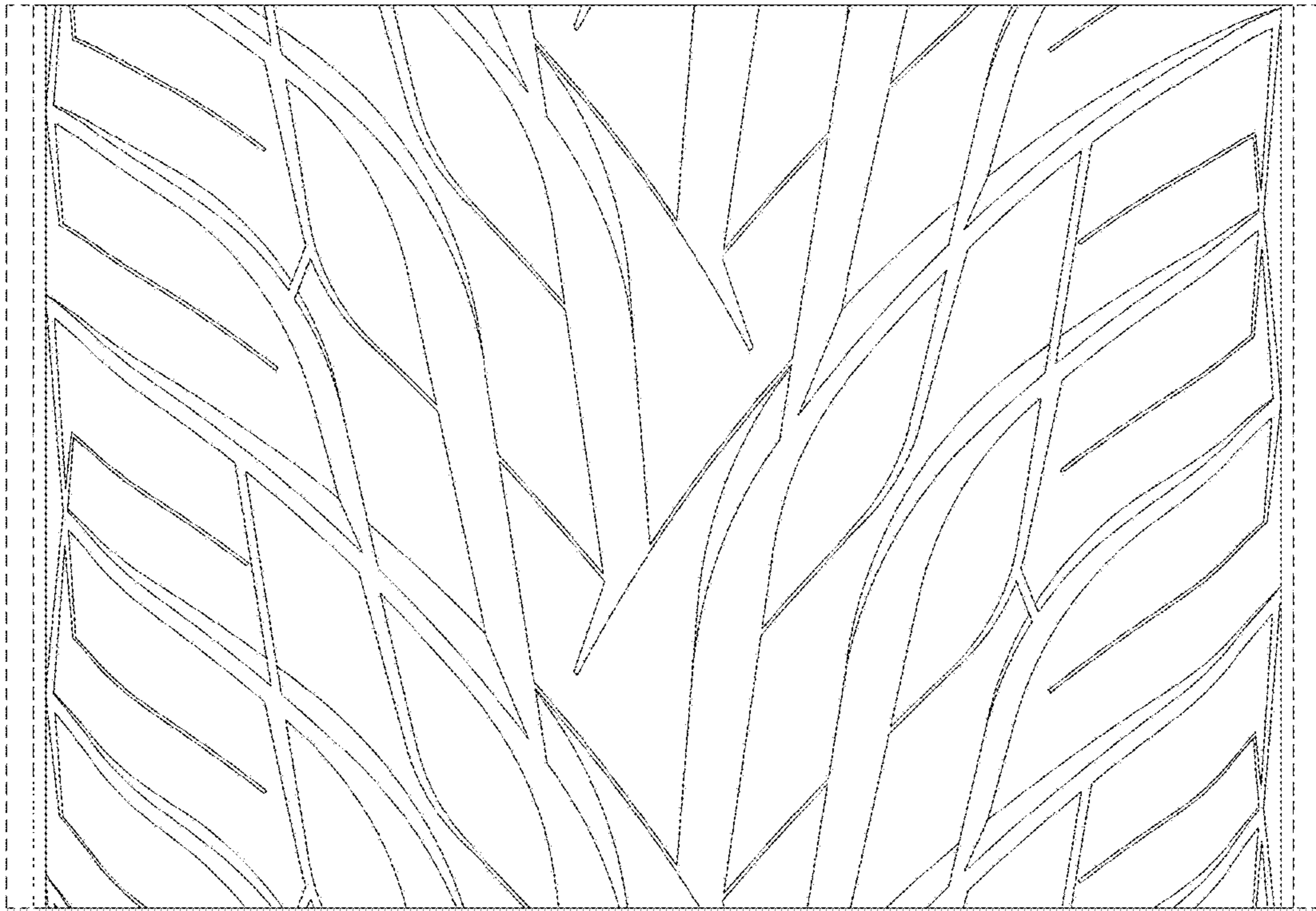


FIG.8