

US00D774442S

(12) **United States Design Patent** (10) **Patent No.:** **US D774,442 S**
Adler et al. (45) **Date of Patent:** **** Dec. 20, 2016**

(54) **CARGO BOX**
(71) Applicant: **Thule Sweden AB**, Hillerstorp (SE)
(72) Inventors: **Jan Adler**, Jönköping (SE); **Fredrik Fransson**, Värnamo (SE)
(73) Assignee: **Thule Sweden AB**, Hillerstorp (SE)
(**) Term: **15 Years**
(21) Appl. No.: **29/532,086**
(22) Filed: **Jul. 1, 2015**
(51) **LOC (10) Cl.** **12-16**
(52) **U.S. Cl.**
USPC **D12/413**
(58) **Field of Classification Search**
USPC D12/414.1, 414, 413, 412, 221, 406.157,
D12/423; D6/552, 317-319, 513-514;
D3/304-306; D32/35, 58
CPC B60R 7/02; Y10S 224/925
See application file for complete search history.

D714,211 S * 9/2014 Berrey D12/413
D717,719 S * 11/2014 Sagen D12/413
D722,006 S 2/2015 Settelmayer et al.
D726,638 S 4/2015 Rupp et al.
D739,336 S * 9/2015 Berrey D12/413

OTHER PUBLICATIONS

U.S. Appl. No. 29/481,006, filed Jan. 31, 2014.

* cited by examiner

Primary Examiner — Katrina A Betton
(74) *Attorney, Agent, or Firm* — Sterne, Kessler,
Goldstein & Fox P.L.L.C.

(57) **CLAIM**

The ornamental design for a cargo box, as shown and described.

DESCRIPTION

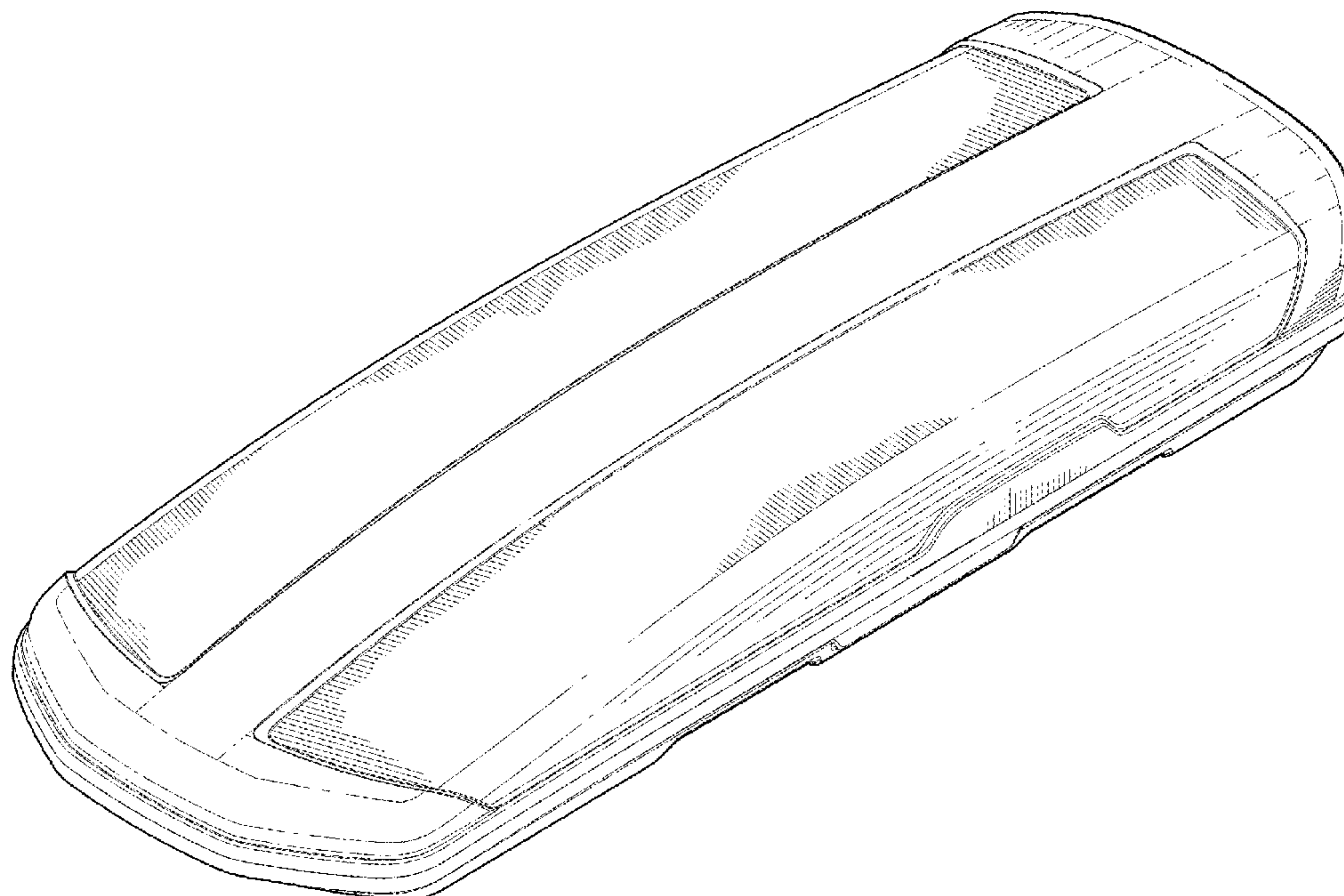
FIG. 1 is a top perspective view of a cargo box showing our new design;
FIG. 2 is a front view thereof;
FIG. 3 is a rear view thereof;
FIG. 4 is a top view thereof;
FIG. 5 is a bottom view thereof;
FIG. 6 is a right side view thereof;
FIG. 7 is a left side view thereof; and,
FIG. 8 is a bottom perspective view thereof.

1 Claim, 7 Drawing Sheets

(56) **References Cited**

U.S. PATENT DOCUMENTS

D593,928 S * 6/2009 Gruner D12/413
D626,495 S * 11/2010 Kojoh D12/413
D628,142 S * 11/2010 Farber D12/413
D630,157 S * 1/2011 Farber D12/413
D642,970 S * 8/2011 Elder D12/413
D643,798 S 8/2011 Gruner
D656,082 S 3/2012 Gruner



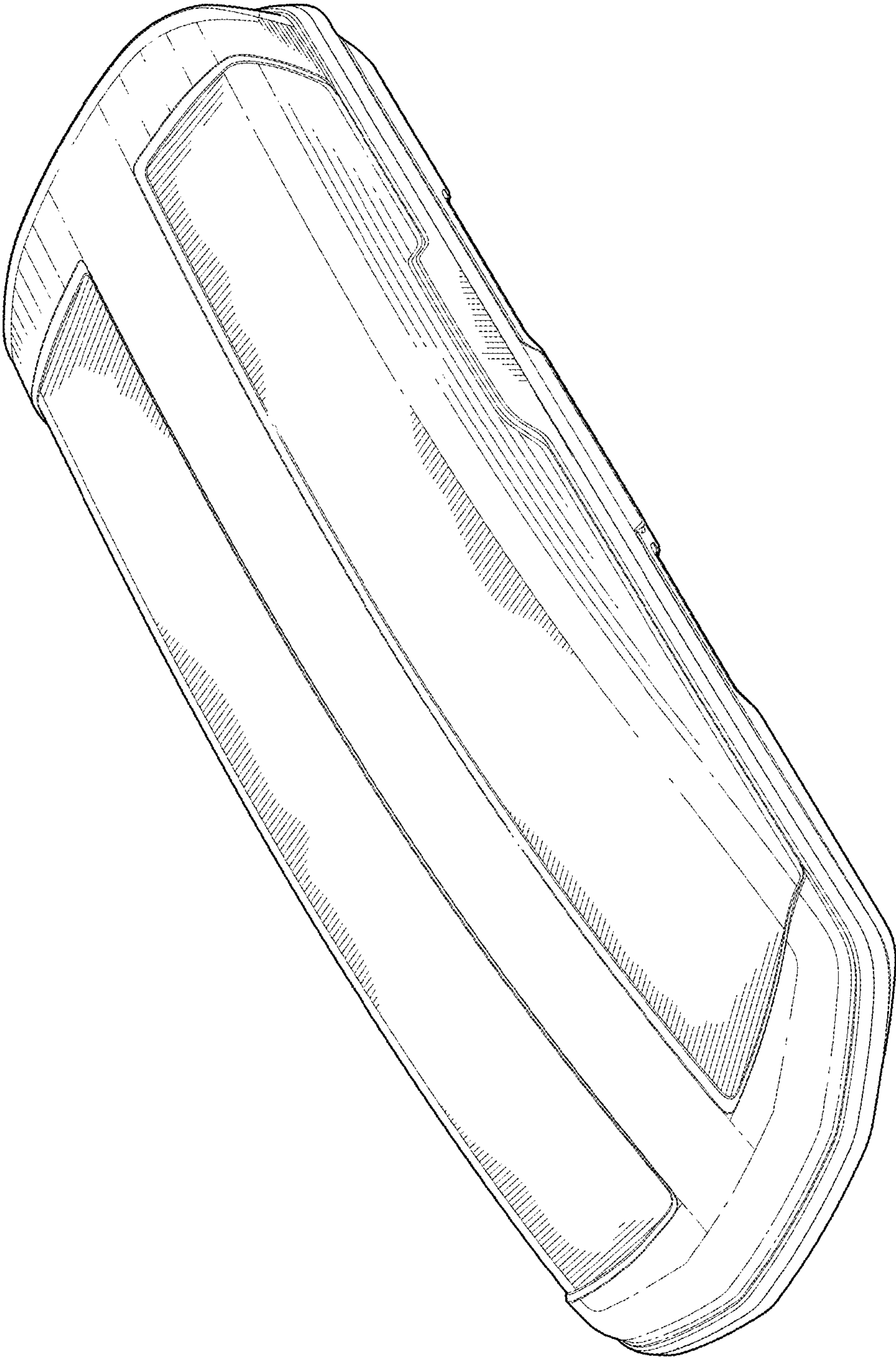


FIG. 1

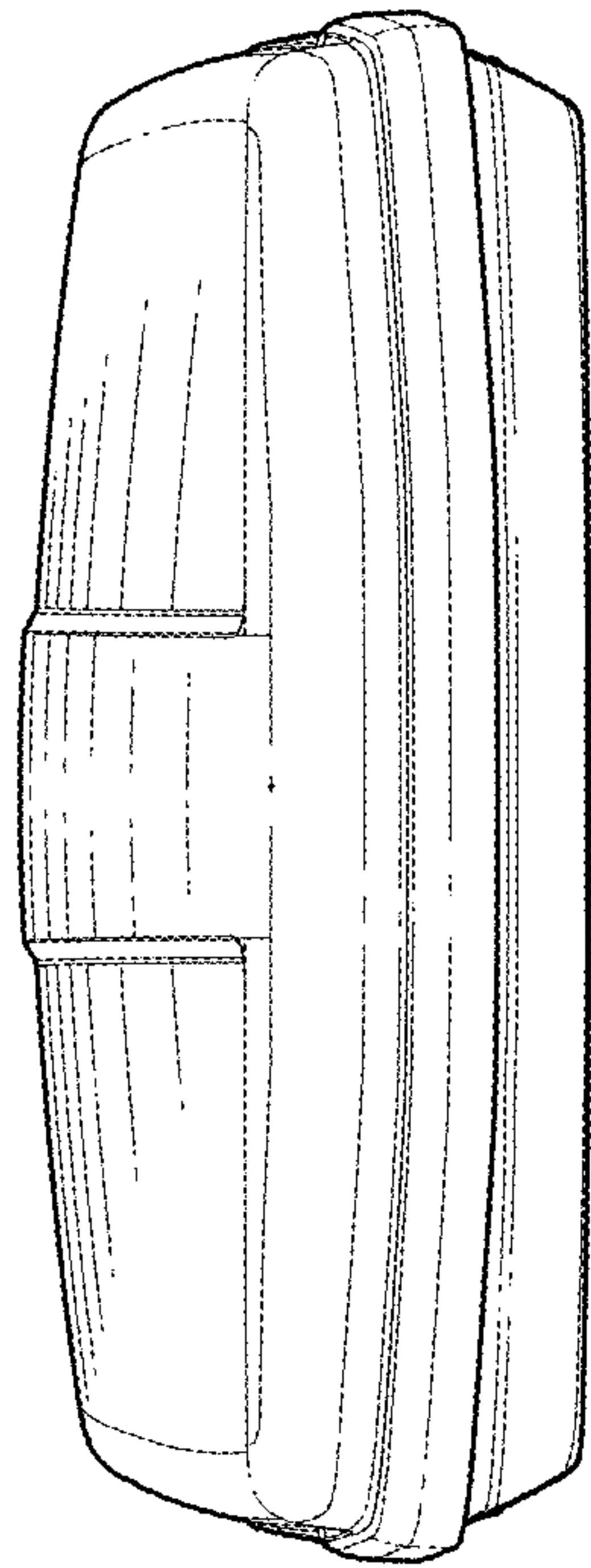


FIG. 2

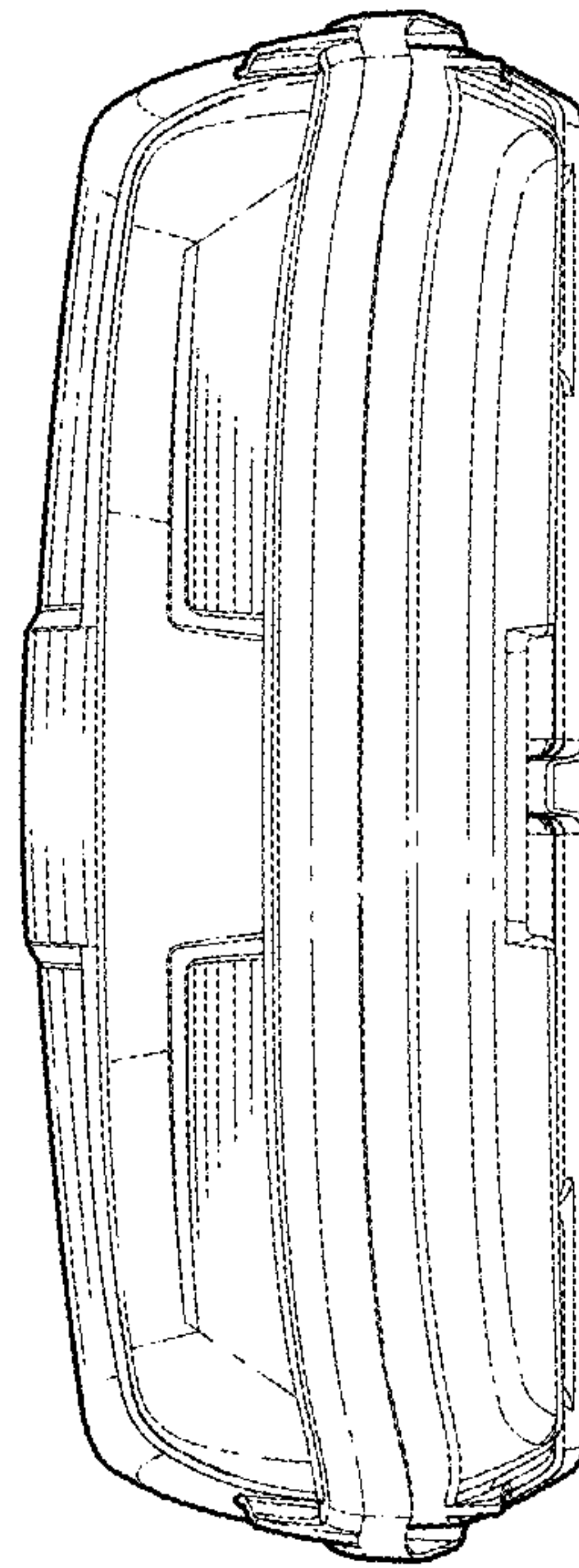


FIG. 3

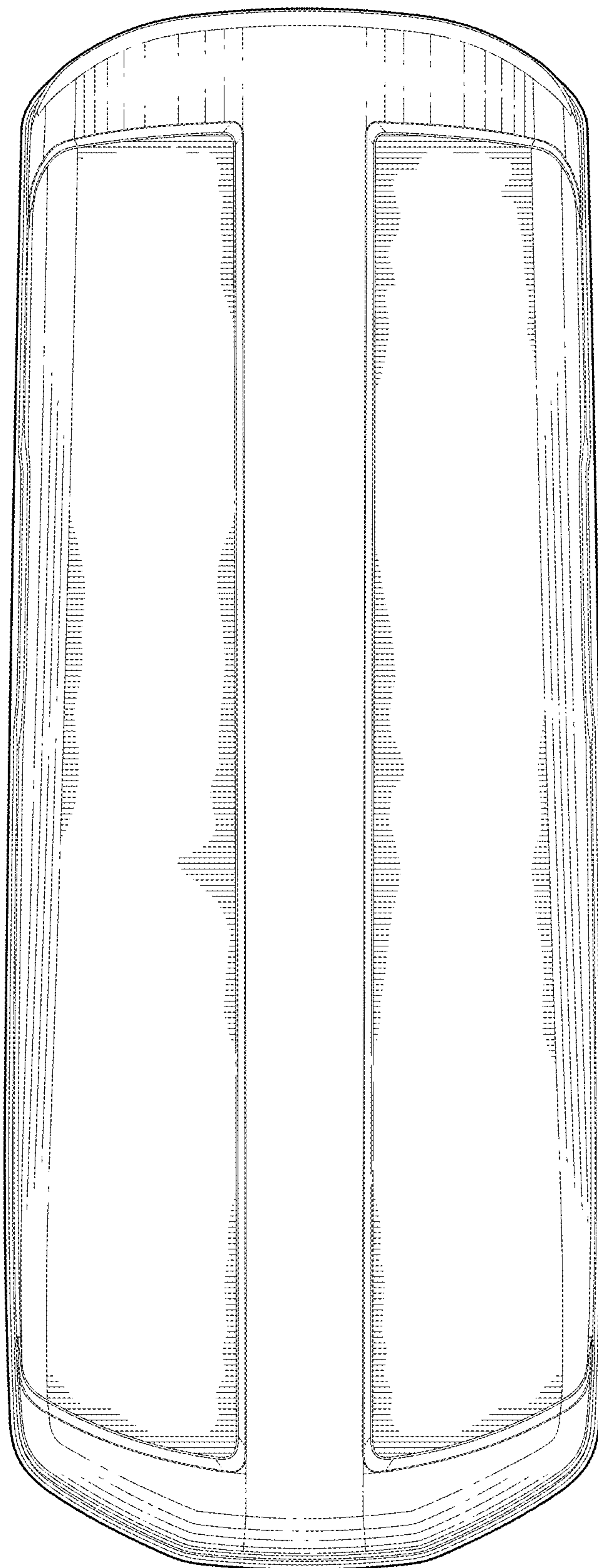


FIG. 4

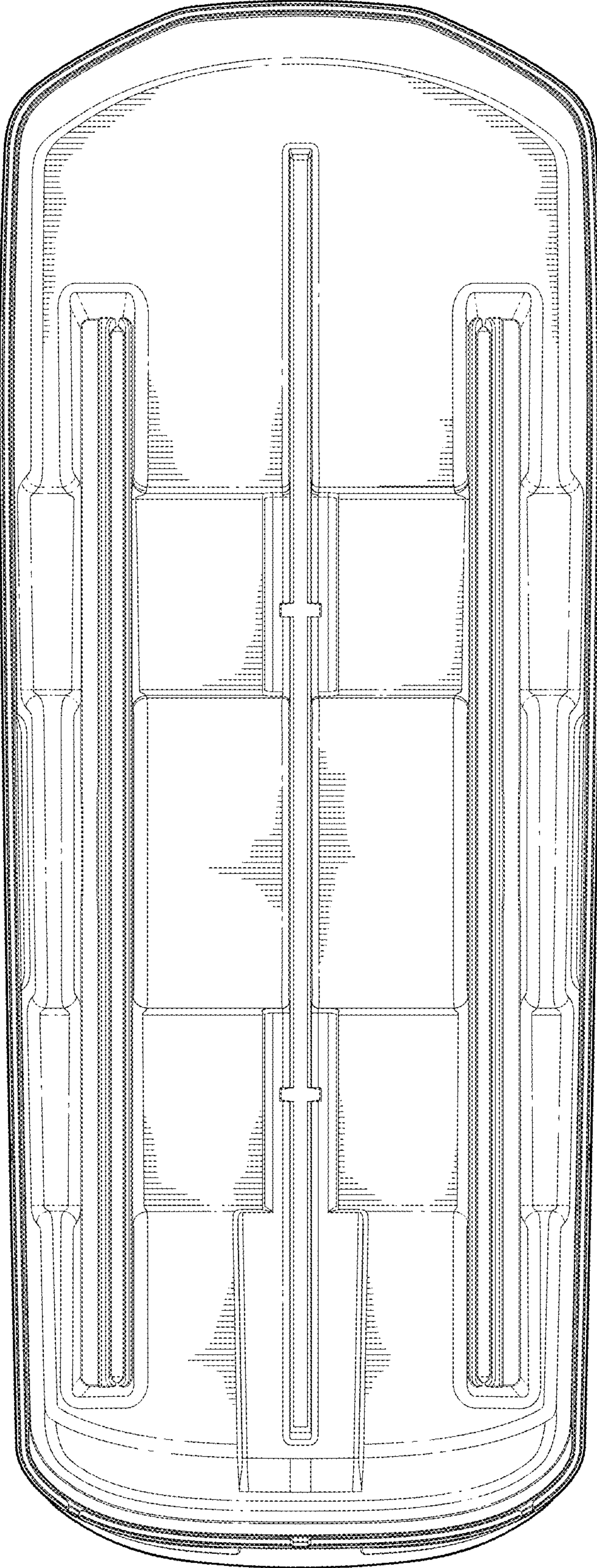


FIG. 5

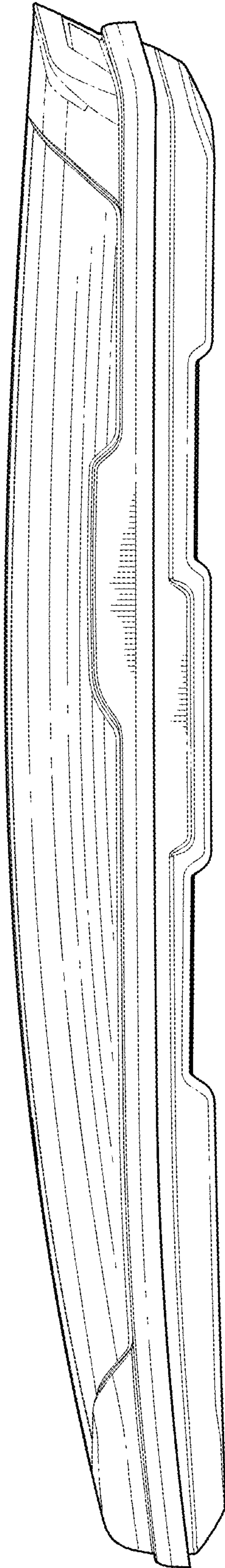


FIG. 6

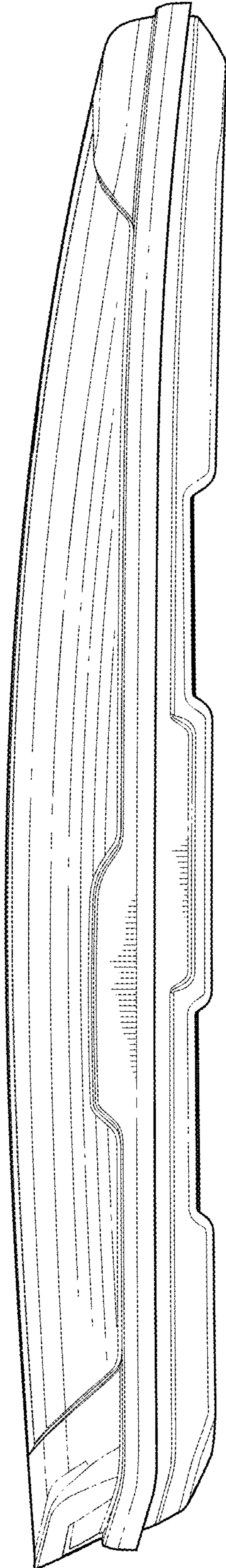


FIG. 7

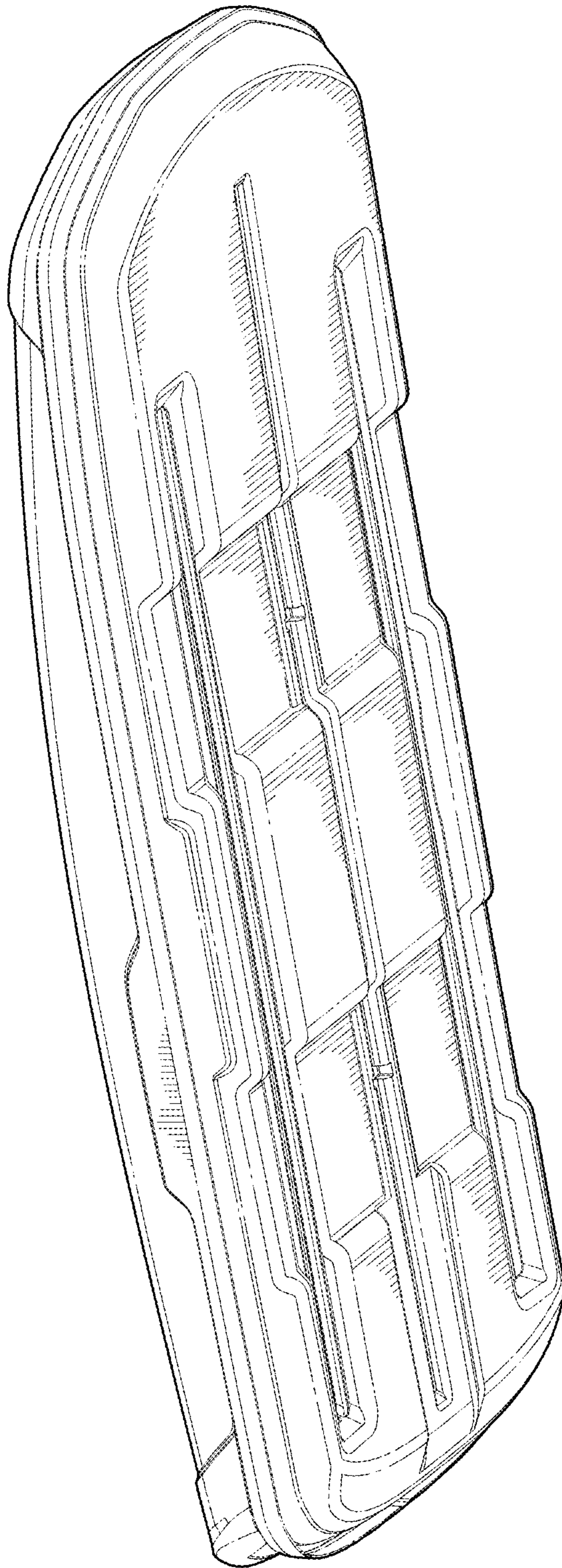


FIG. 8