



US00D774441S

(12) **United States Design Patent** (10) **Patent No.:** **US D774,441 S**
Greenblatt et al. (45) **Date of Patent:** **** Dec. 20, 2016**

(54) **BICYCLE RACK**

D719,491 S * 12/2014 Rayl D12/115
D719,492 S * 12/2014 Rayl D12/115
D722,921 S * 2/2015 Skalka D12/115

(71) Applicant: **Everlast Climbing Industries, Inc.**,
Mendota Heights, MN (US)

* cited by examiner

(72) Inventors: **Joel Greenblatt**, Wauwatosa, WI (US);
Andrew Kennedy Lageson,
Minneapolis, MN (US)

Primary Examiner — George D Kirschbaum

Assistant Examiner — Clese Moore, Jr.

(73) Assignee: **EVERLAST CLIMBING INDUSTRIES, INC.**, Mendota Heights,
MN (US)

(74) *Attorney, Agent, or Firm* — McAndrews, Held & Malloy, Ltd.

(57) **CLAIM**

The ornamental design for a bicycle rack, as shown and described.

(**) Term: **14 Years**

DESCRIPTION

(21) Appl. No.: **29/522,847**

(22) Filed: **Apr. 2, 2015**

(51) **LOC (10) Cl.** **12-16**

(52) **U.S. Cl.**
USPC **D12/407; D12/115**

(58) **Field of Classification Search**
USPC D12/115, 120, 402, 406, 407
CPC B62H 3/00; B62H 3/04; B62H 3/08;
B62H 3/10; B60R 9/06; B60R 9/10
See application file for complete search history.

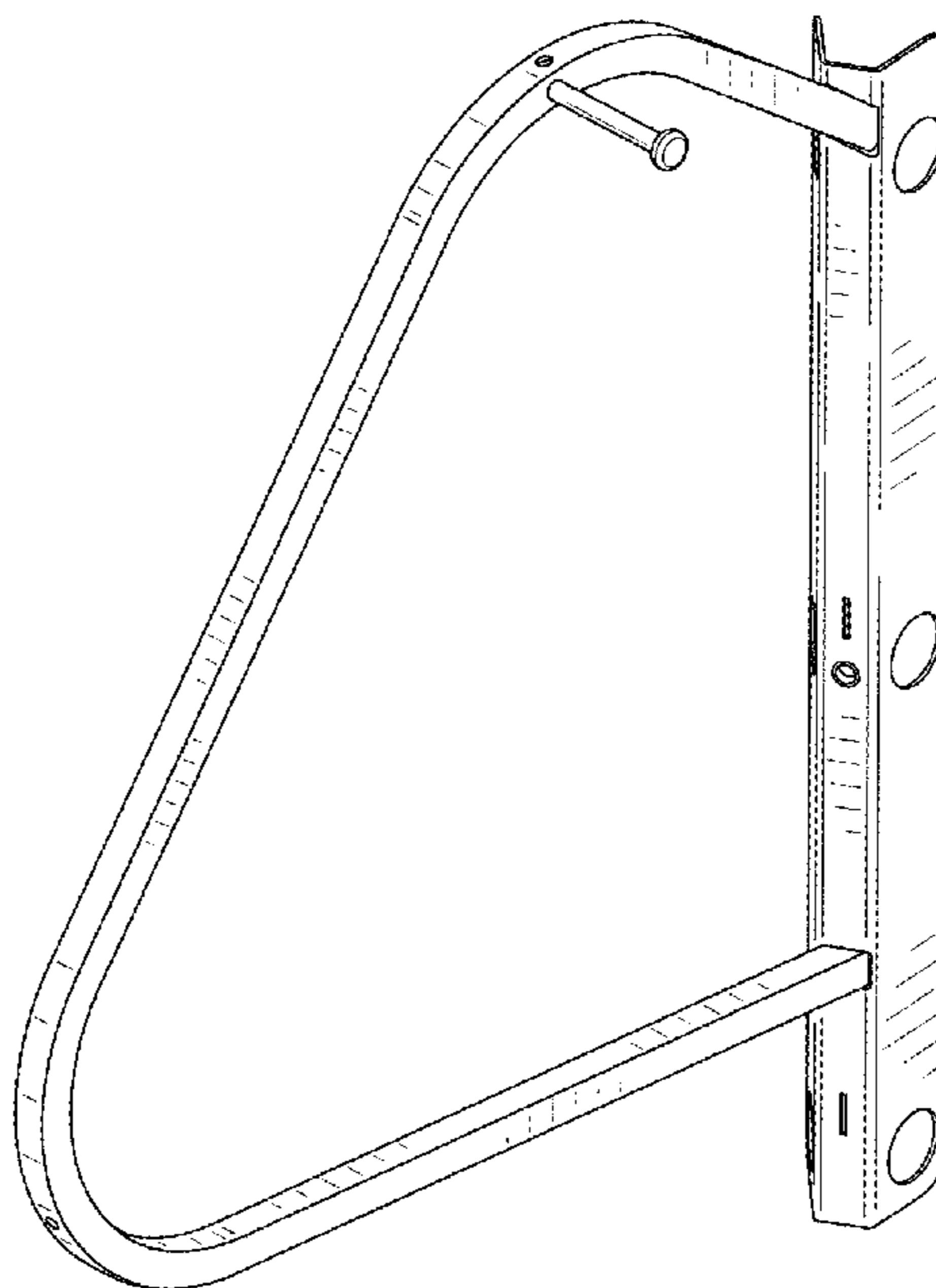
FIG. 1 is top, front, right side perspective view of a bicycle rack showing my new design;
FIG. 2 is a front elevational view thereof;
FIG. 3 is a rear elevational view thereof;
FIG. 4 is a right side elevational view thereof;
FIG. 5 is a left side elevational view thereof;
FIG. 6 is a top plan view thereof;
FIG. 7 is a bottom plan view thereof;
FIG. 8 is a top, front, left side perspective view thereof including unclaimed environmental features; and
FIG. 9 is a top, front, left side perspective view thereof including additional unclaimed features;
FIG. 10 is a top, front, left side perspective view thereof including additional unclaimed features;
FIG. 11 is a top, front, left side perspective view thereof including additional unclaimed features; and,
FIG. 12 is a top, front, left side perspective view thereof including additional unclaimed features.
The broken lines of FIGS. 8 to 12 form no part of the claimed design.

(56) **References Cited**

U.S. PATENT DOCUMENTS

D399,009 S * 9/1998 Victor D25/38.1
D514,034 S * 1/2006 Richardson D12/115
D585,793 S * 2/2009 Skalka D12/115
D605,093 S * 12/2009 Lohr D12/115
D632,616 S * 2/2011 Lohr D12/115
D658,551 S * 5/2012 Skalka D12/115
D683,298 S * 5/2013 Snyder D12/406

1 Claim, 9 Drawing Sheets



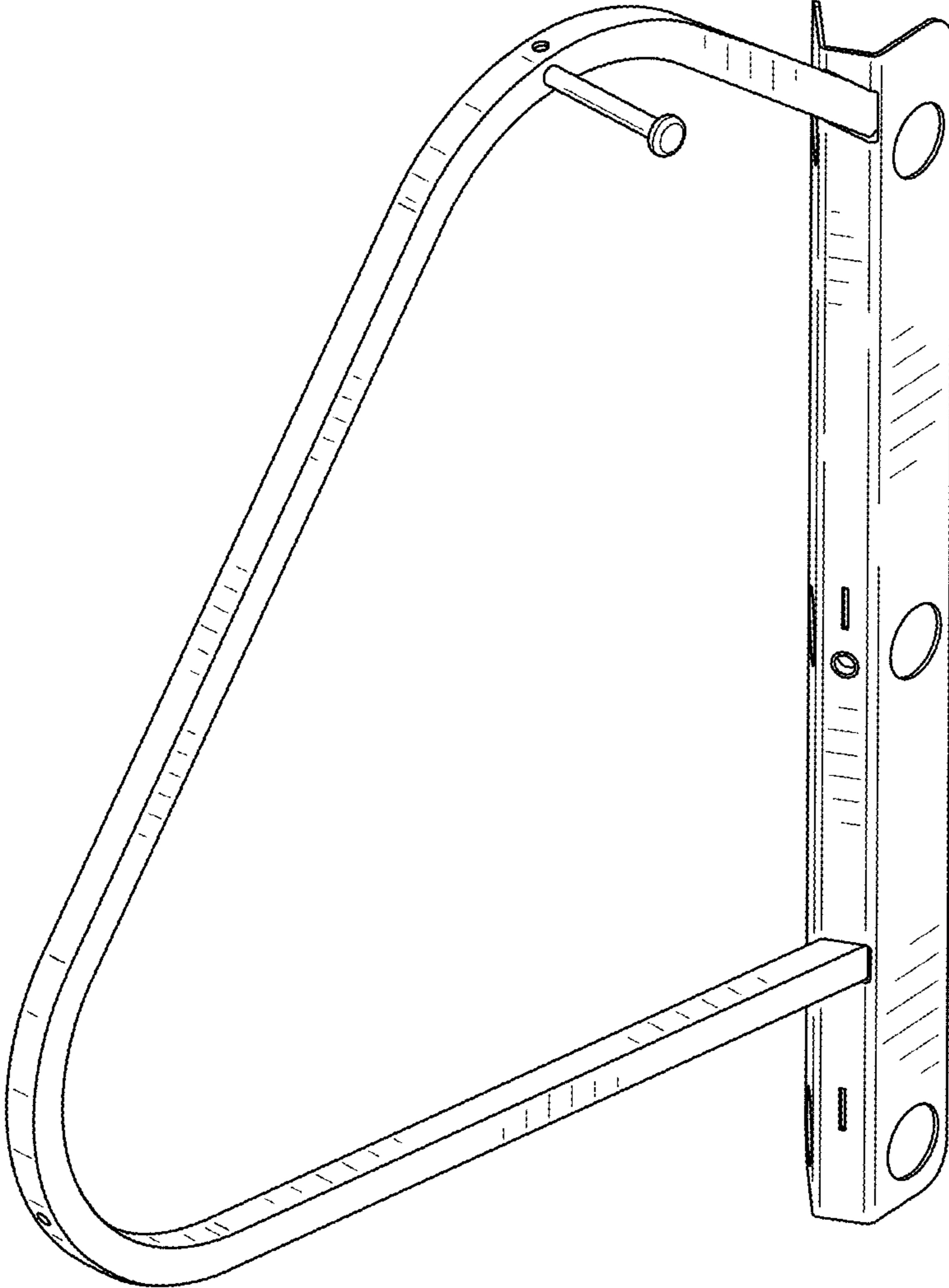


FIG. 1

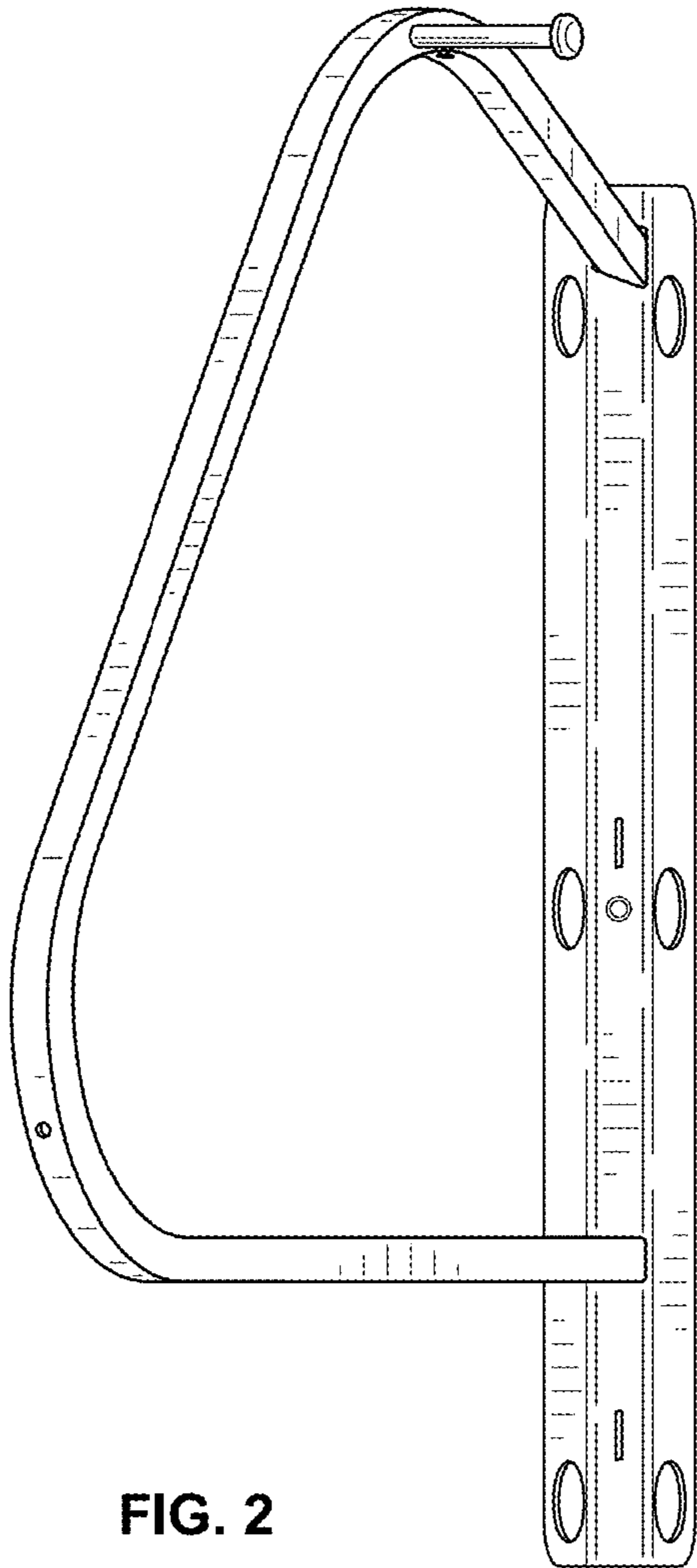


FIG. 2

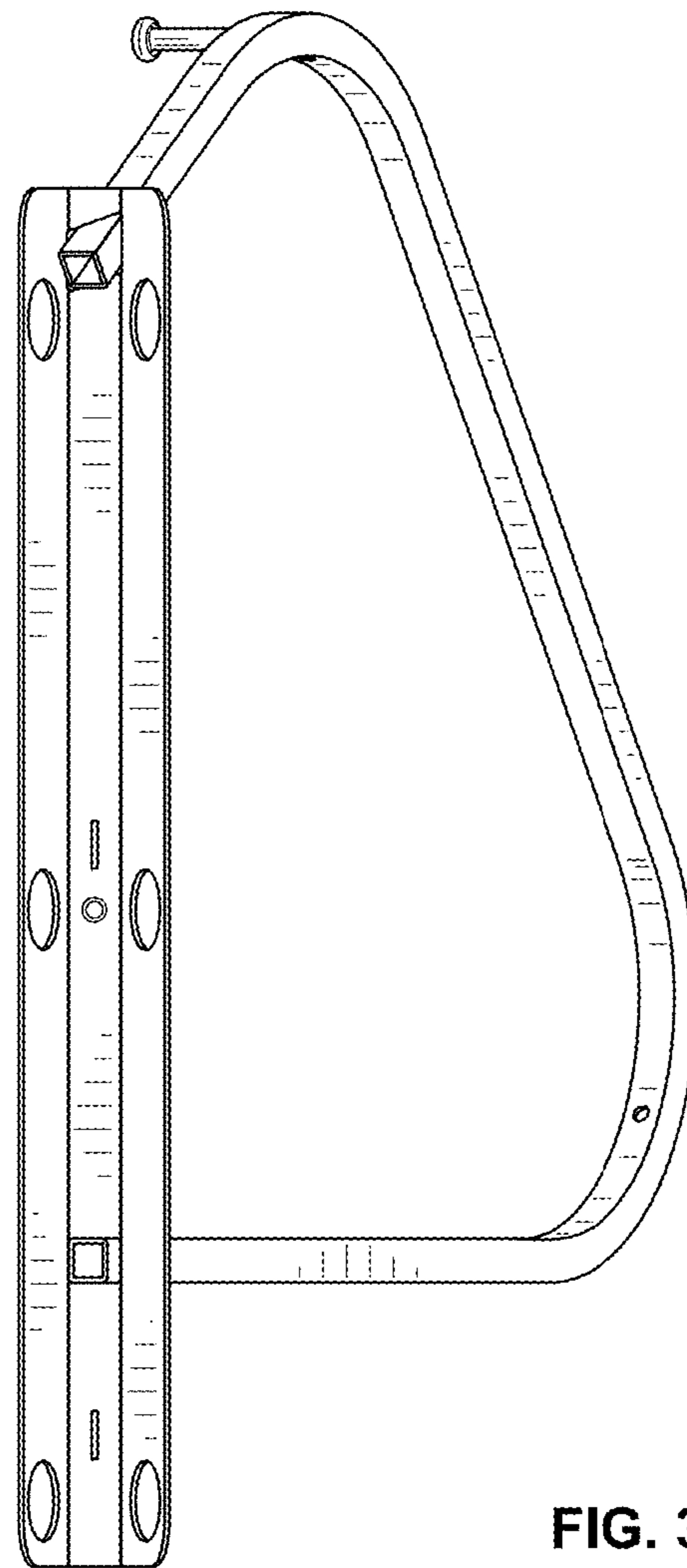


FIG. 3

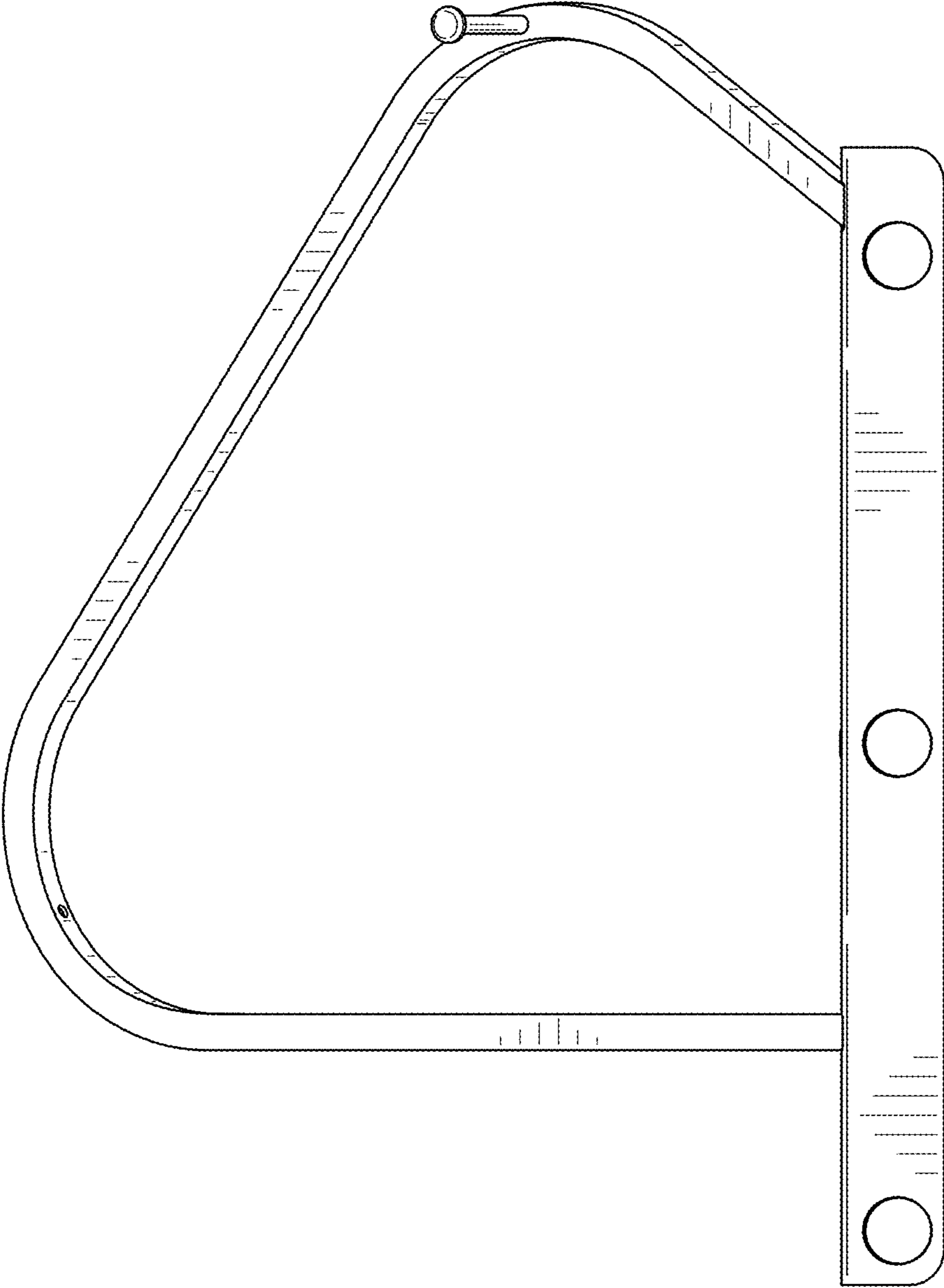


FIG. 4

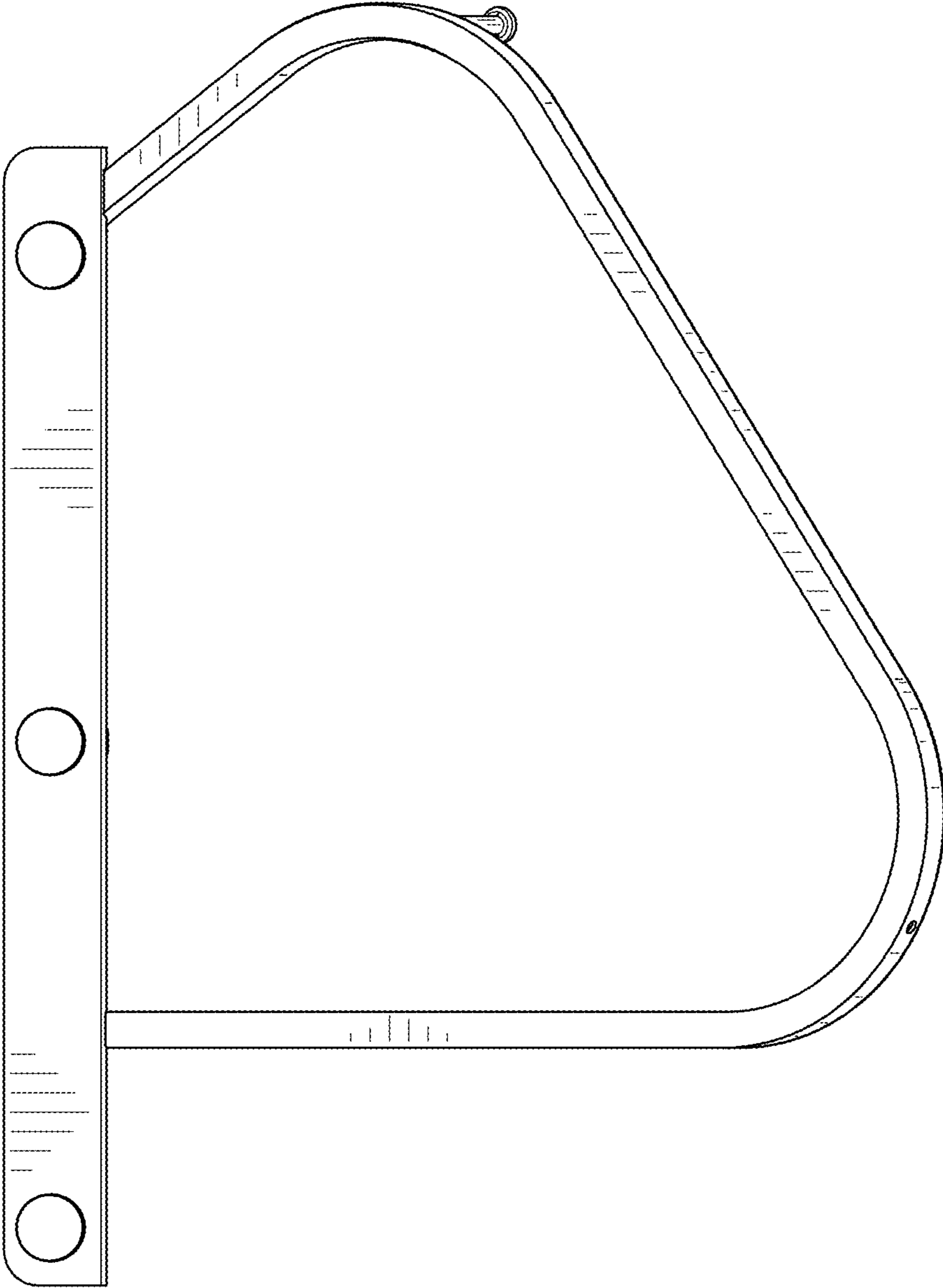


FIG. 5

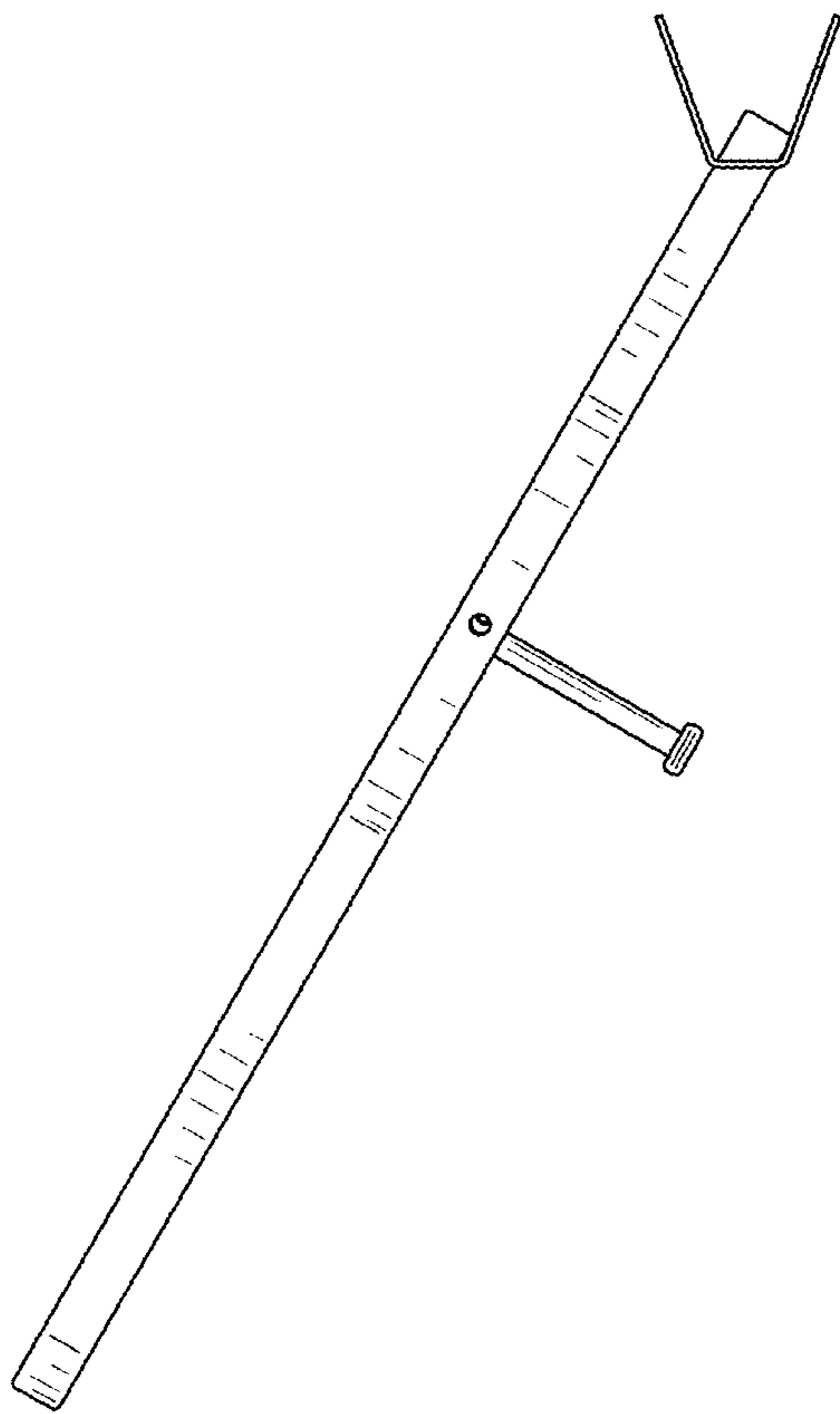


FIG. 6

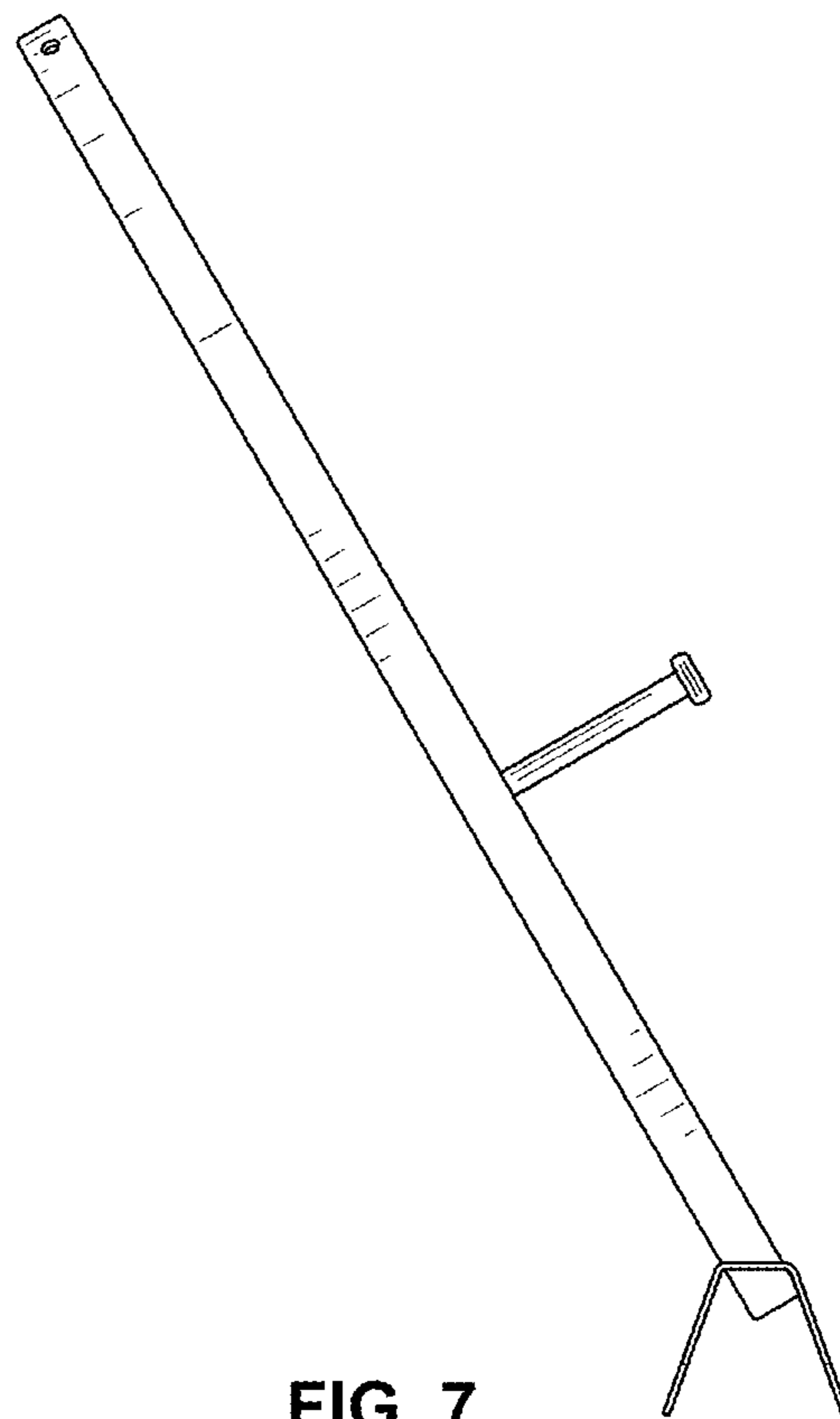


FIG. 7

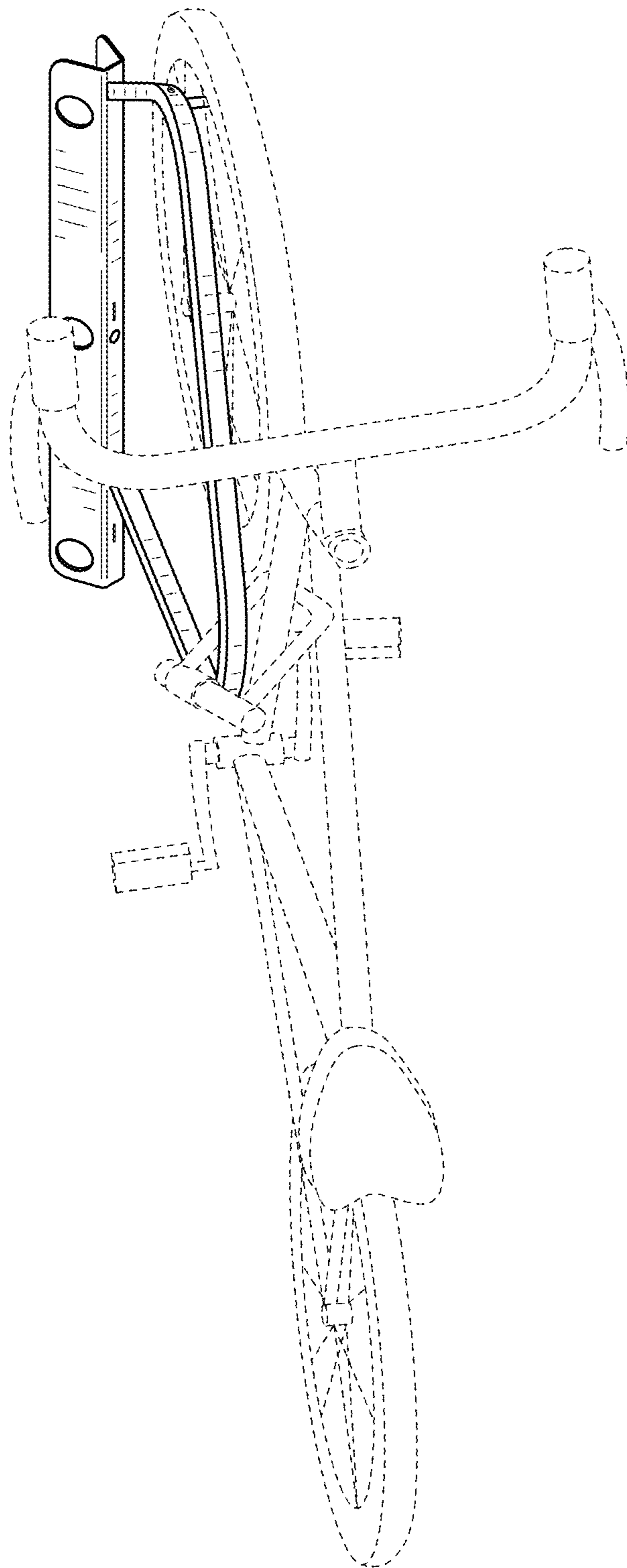


FIG. 8

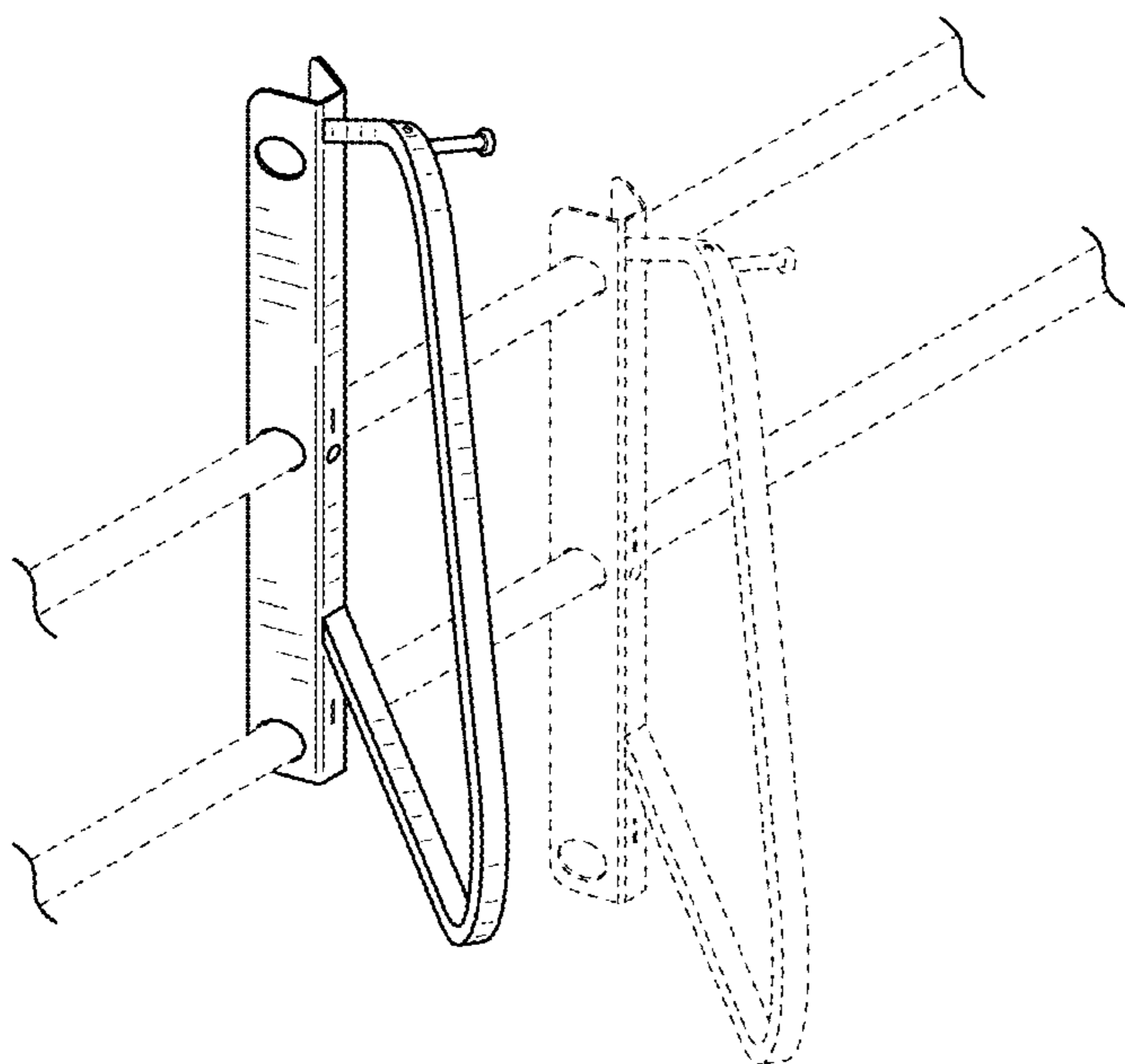


FIG. 9

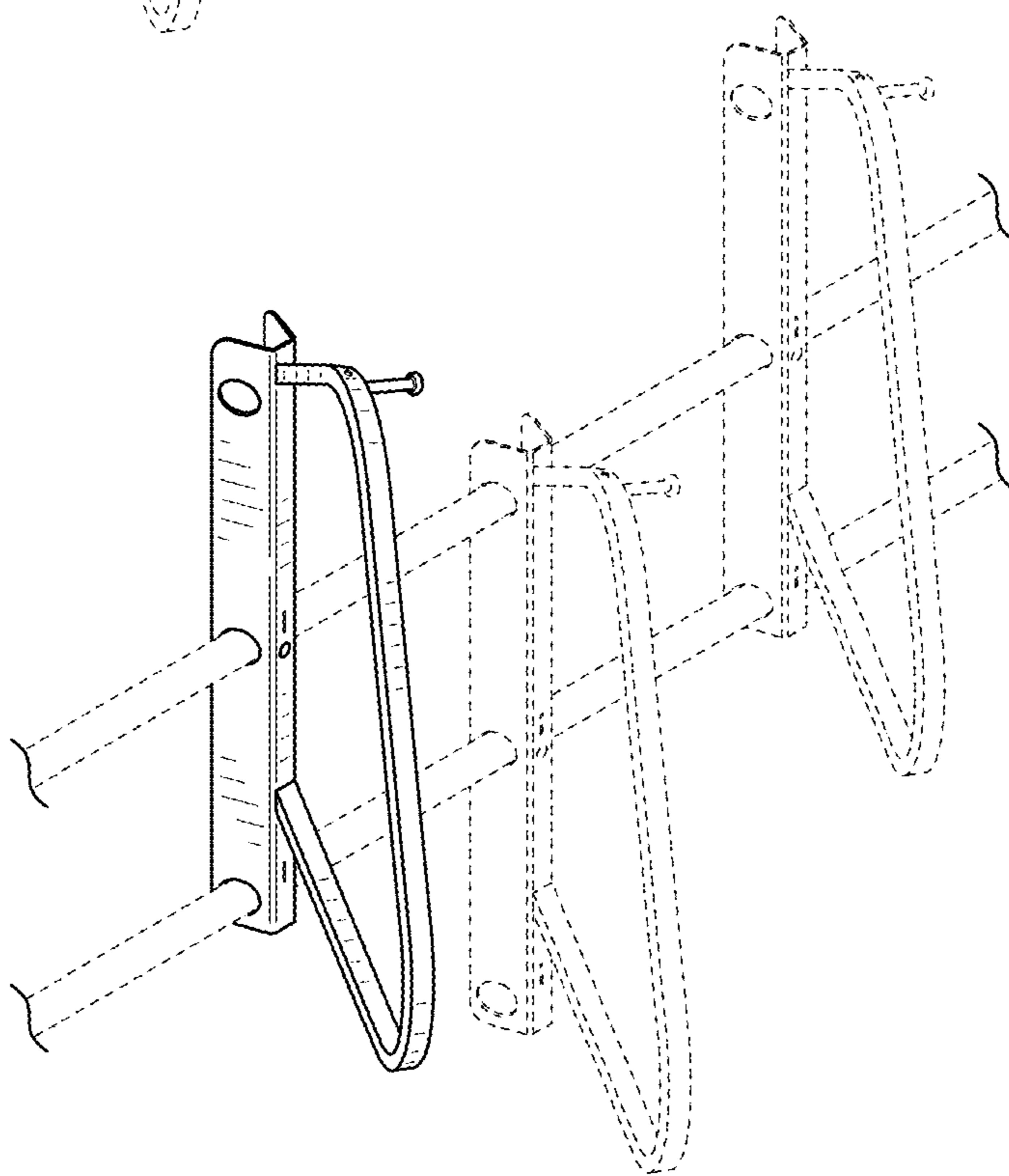


FIG. 10

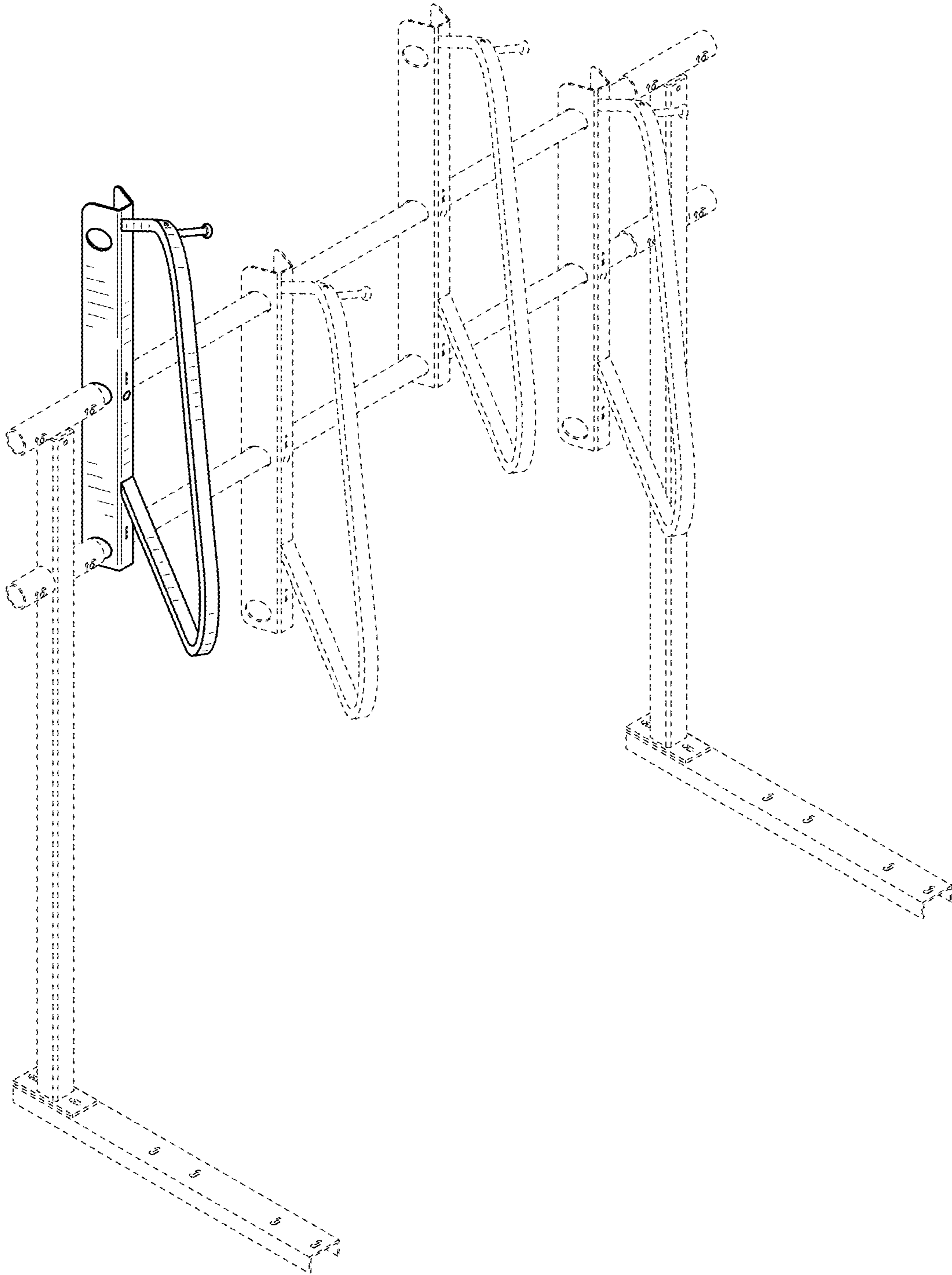


FIG. 11

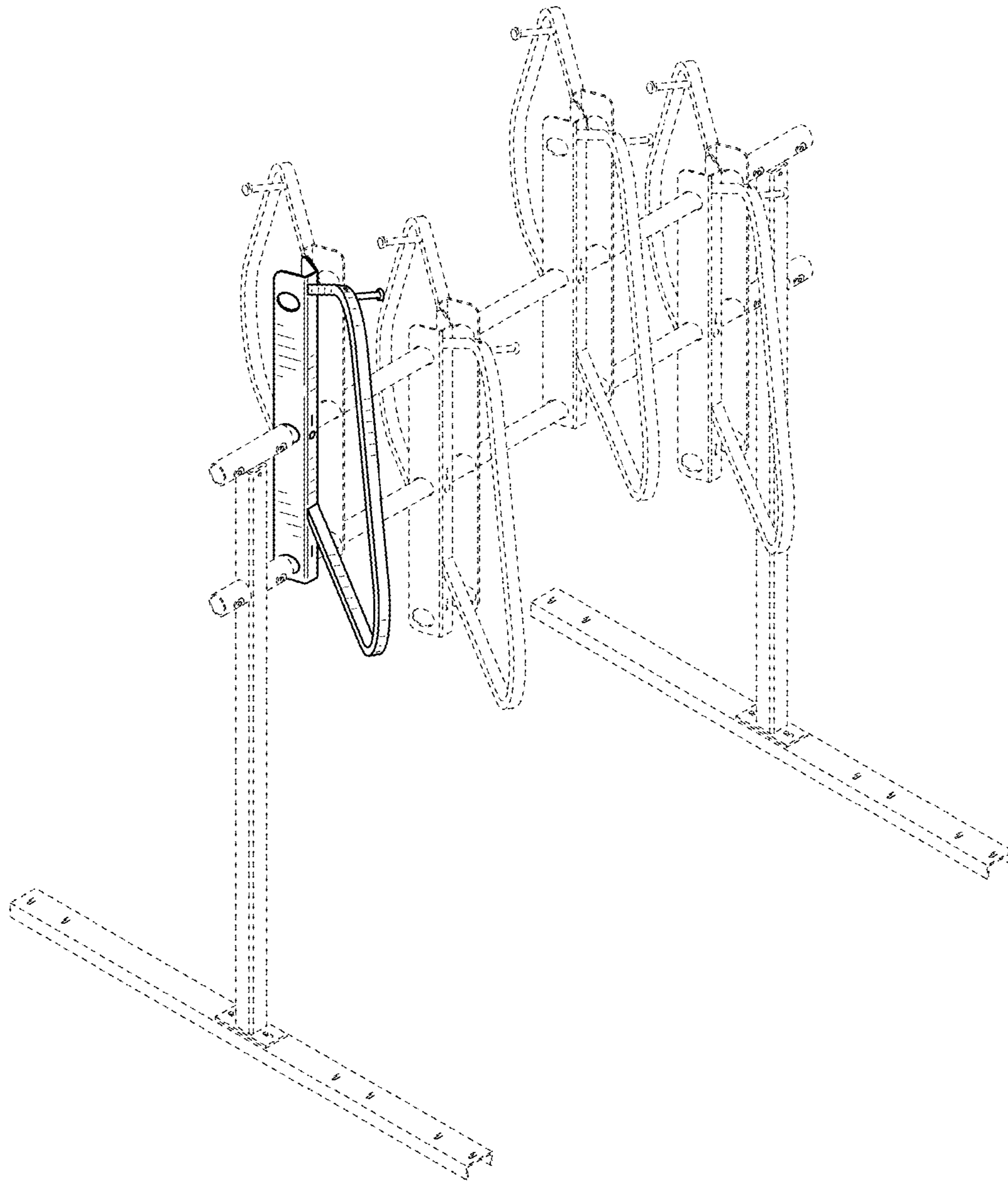


FIG. 12