



US00D774440S

(12) **United States Design Patent**
Johnson

(10) **Patent No.:** **US D774,440 S**

(45) **Date of Patent:** **** Dec. 20, 2016**

(54) **AUTOMOTIVE WHEEL**

(71) Applicant: **Kelly R. Johnson**, City of Industry, CA (US)

(72) Inventor: **Kelly R. Johnson**, City of Industry, CA (US)

(73) Assignee: **THE WHEEL GROUP**, City of Industry, CA (US)

(**) Term: **15 Years**

(21) Appl. No.: **29/545,721**

(22) Filed: **Nov. 16, 2015**

(51) **LOC (10) Cl.** **12-16**

(52) **U.S. Cl.**
USPC **D12/211**

(58) **Field of Classification Search**
USPC D12/204, 205, 206, 207, 208, 209, 210, D12/211, 212, 213
CPC B60B 7/00; B60B 7/01; B60B 7/02; B60B 7/04; B60B 7/06; B60B 3/02; B60B 3/04; B60B 3/06; B60B 3/10; B60B 1/00; B60B 1/08; B60B 1/10; B60B 1/12
See application file for complete search history.

(56) **References Cited**

U.S. PATENT DOCUMENTS

D472,866 S * 4/2003 Pfeiffer D12/211
D513,221 S * 12/2005 Pfeiffer D12/211
D529,429 S * 10/2006 Hsu D12/209
D575,718 S * 8/2008 Pfeiffer D12/211

D625,237 S * 10/2010 Holstein D12/209
D684,519 S * 6/2013 Garbas D12/211
D697,468 S * 1/2014 Holstein D12/211
D704,120 S * 5/2014 Feuerherdt D12/211
D716,712 S * 11/2014 Lemke D12/211
D725,571 S * 3/2015 Kobayashi D12/211
D732,453 S * 6/2015 Gallert D12/211
D744,404 S * 12/2015 Garbas D12/211
D747,675 S * 1/2016 Johnson D12/211

OTHER PUBLICATIONS

http://www.greencarreports.com/news/1083562_protean-launches-production-in-wheel-electric-motor—Published Apr. 16, 2013.*

* cited by examiner

Primary Examiner — Manpreet Matharu
Assistant Examiner — Mojtaba Tehrani

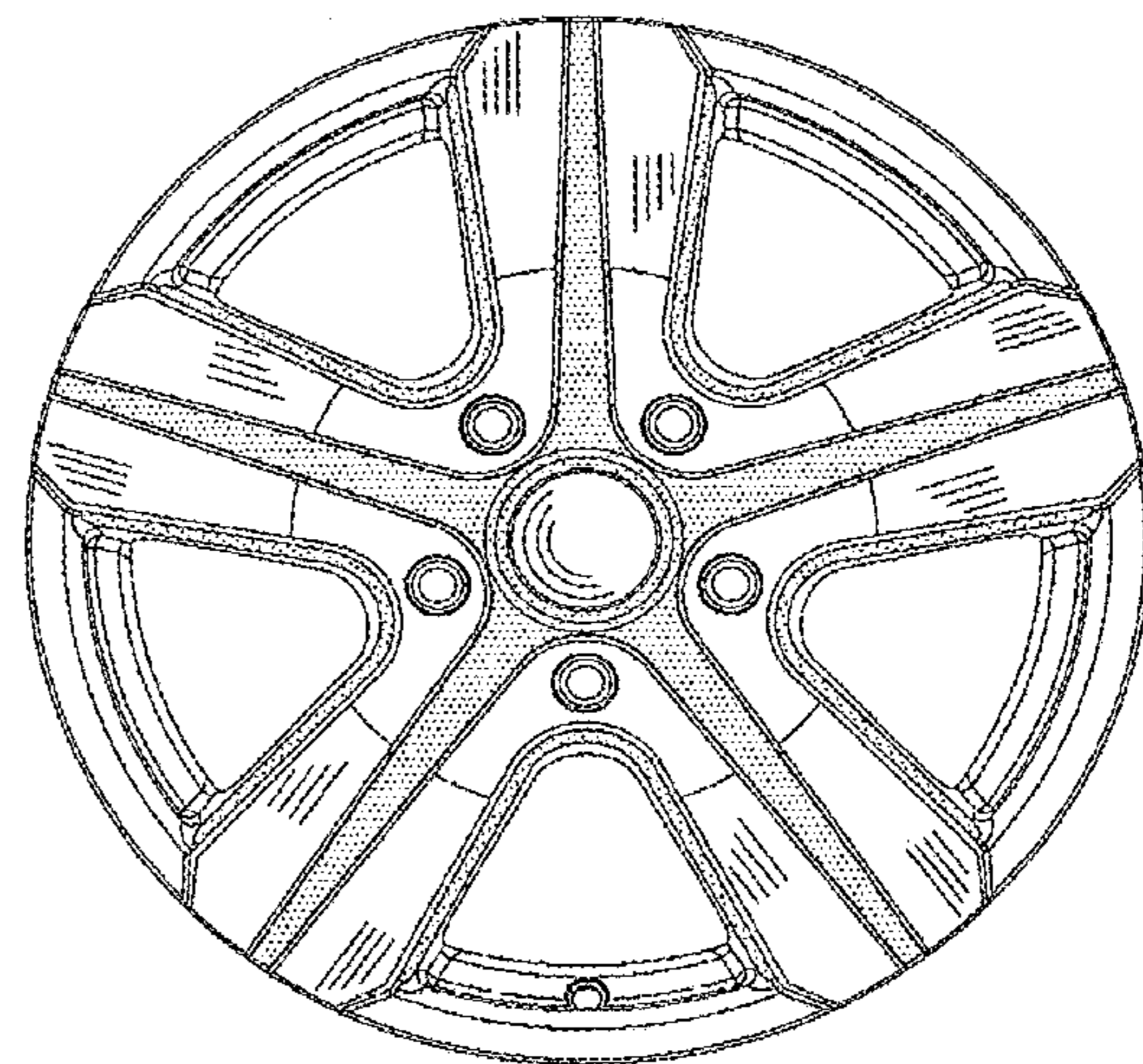
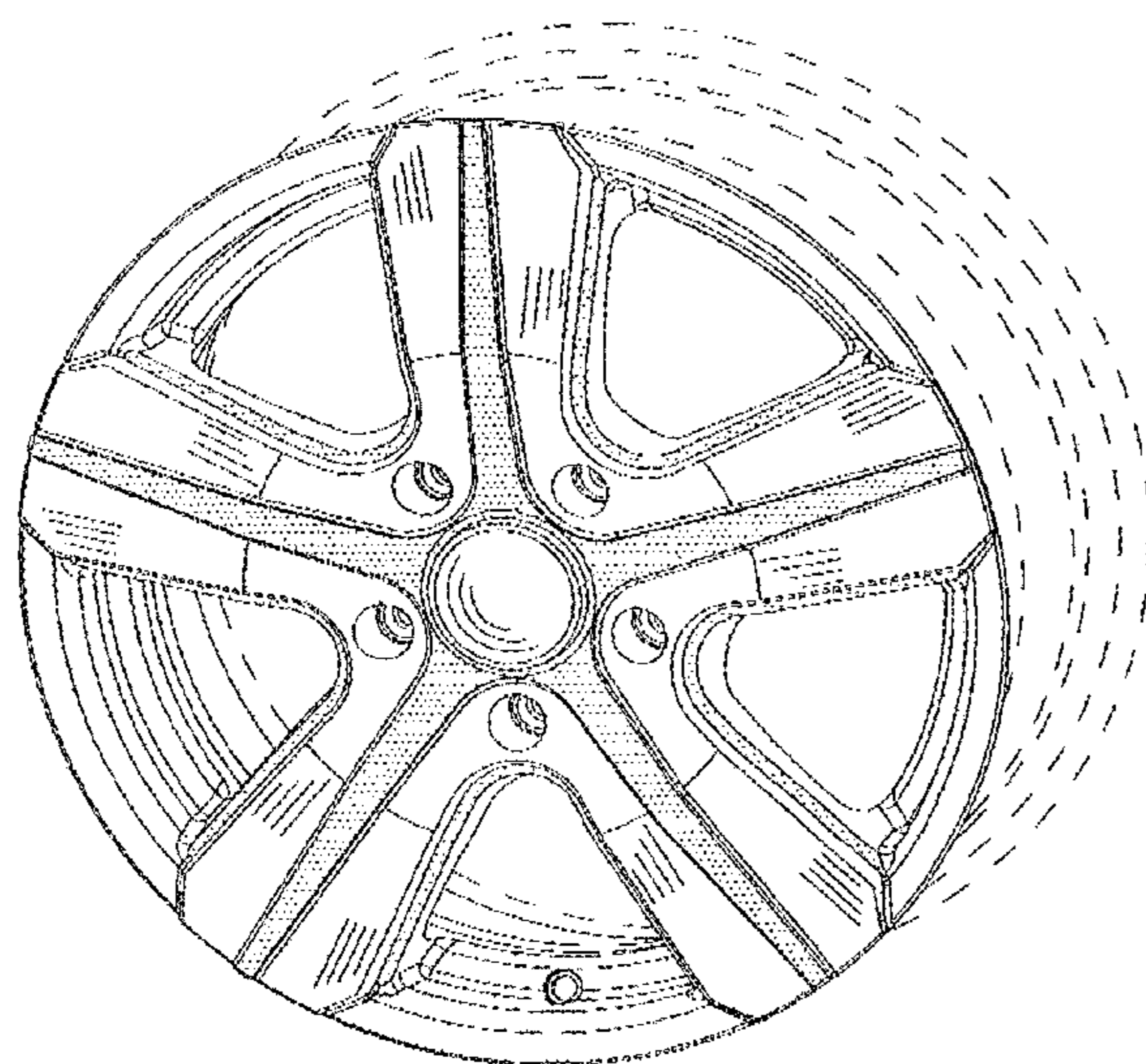
(57) **CLAIM**

The ornamental design for an automotive wheel, as show and described.

DESCRIPTION

FIG. 1 is a perspective view of an automotive wheel front face showing my new design; and, FIG. 2 is a front elevational view thereof. The broken lines shown in FIG. 1 illustrate portions of the automotive wheel that form no part of the claimed design. The stipple shading applied to the wheel in FIGS. 1 and 2 illustrate a contrast in appearance.

1 Claim, 2 Drawing Sheets



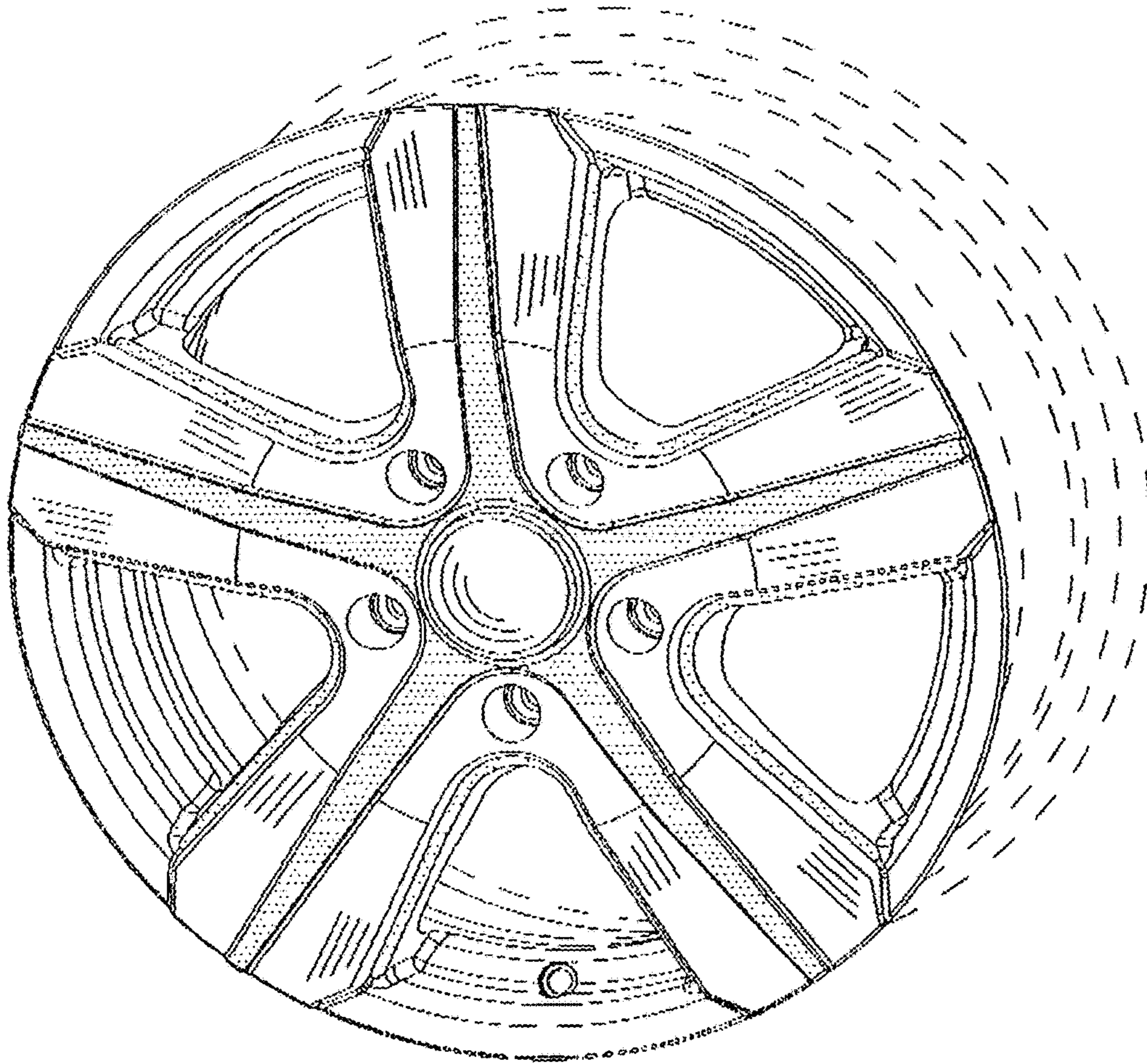


FIG.1

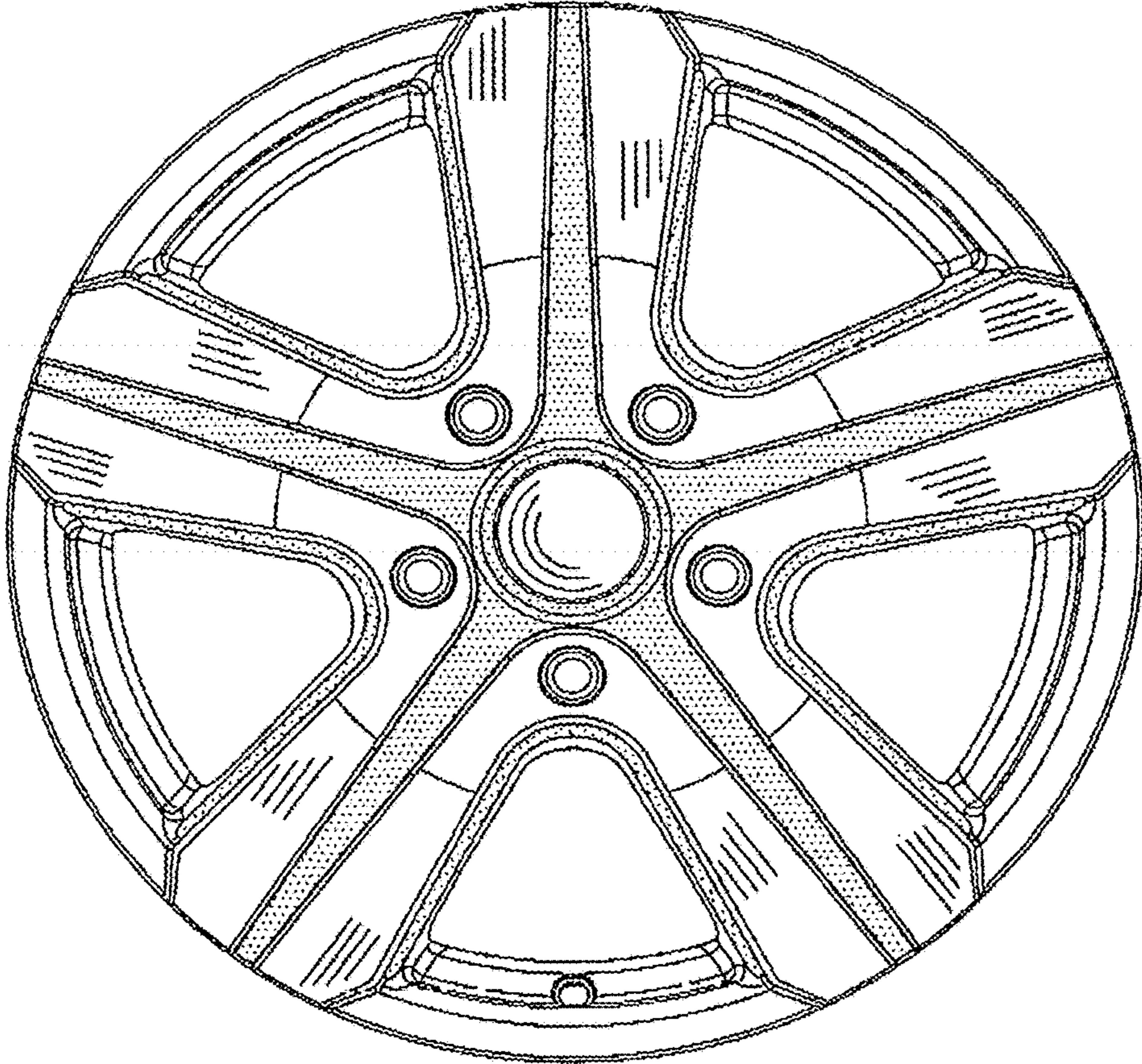


FIG.2