



US00D774438S

(12) **United States Design Patent**  
**Valencia Pollex**

(10) **Patent No.:** **US D774,438 S**

(45) **Date of Patent:** **\*\* Dec. 20, 2016**

(54) **VEHICLE WHEEL RIM**

(71) Applicant: **AUDI AG**, Ingolstadt (DE)

(72) Inventor: **Andreas Valencia Pollex**, Ingolstadt (DE)

(73) Assignee: **AUDI AG**, Ingolstadt (DE)

(\*\*) Term: **15 Years**

(21) Appl. No.: **29/553,867**

(22) Filed: **Feb. 5, 2016**

(30) **Foreign Application Priority Data**

Aug. 6, 2015 (EM) ..... 002 750 489-0002

(51) **LOC (10) Cl.** ..... **12-16**

(52) **U.S. Cl.**

USPC ..... **D12/209**

(58) **Field of Classification Search**

USPC ..... D12/204-213

CPC ..... B60B 7/00; B60B 7/02; B60B 7/04;  
B60B 7/01; B60B 7/06; B60B 3/02; B60B  
3/04; B60B 3/06; B60B 3/10; B60B 1/00;  
B60B 1/08; B60B 1/10; B60B 1/12

See application file for complete search history.

(56) **References Cited**

**U.S. PATENT DOCUMENTS**

D396,441 S \* 7/1998 Nishida ..... D12/209  
D415,991 S \* 11/1999 Wang ..... D12/211

D450,288 S \* 11/2001 Lee ..... D12/209  
D593,476 S \* 6/2009 Juergens ..... D12/211  
D620,419 S \* 7/2010 Lamm ..... D12/209  
D622,197 S \* 8/2010 Zhao ..... D12/209  
D622,202 S \* 8/2010 Zhao ..... D12/211  
D671,060 S \* 11/2012 Baum ..... D12/209  
D671,479 S \* 11/2012 Gonser ..... D12/209  
D681,531 S \* 5/2013 Fetherston ..... D12/209  
D684,913 S \* 6/2013 Chen ..... D12/209  
D694,694 S \* 12/2013 Wheel ..... D12/209  
D697,858 S \* 1/2014 Kito ..... D12/209  
D706,693 S \* 6/2014 Stolz ..... D12/209  
D707,165 S \* 6/2014 Wheel ..... D12/209  
D720,274 S \* 12/2014 Mielke ..... D12/211  
D734,233 S \* 7/2015 Wheel ..... D12/209  
D745,842 S \* 12/2015 Wheel ..... D12/209  
D748,553 S \* 2/2016 Miyazawa ..... D12/209  
D759,565 S \* 6/2016 Cybulski ..... D12/209  
D765,000 S \* 8/2016 Song ..... D12/209

\* cited by examiner

*Primary Examiner* — Stacia Cadmus

(74) *Attorney, Agent, or Firm* — Lucas & Mercanti, LLP;  
Klaus P. Stoffel

(57) **CLAIM**

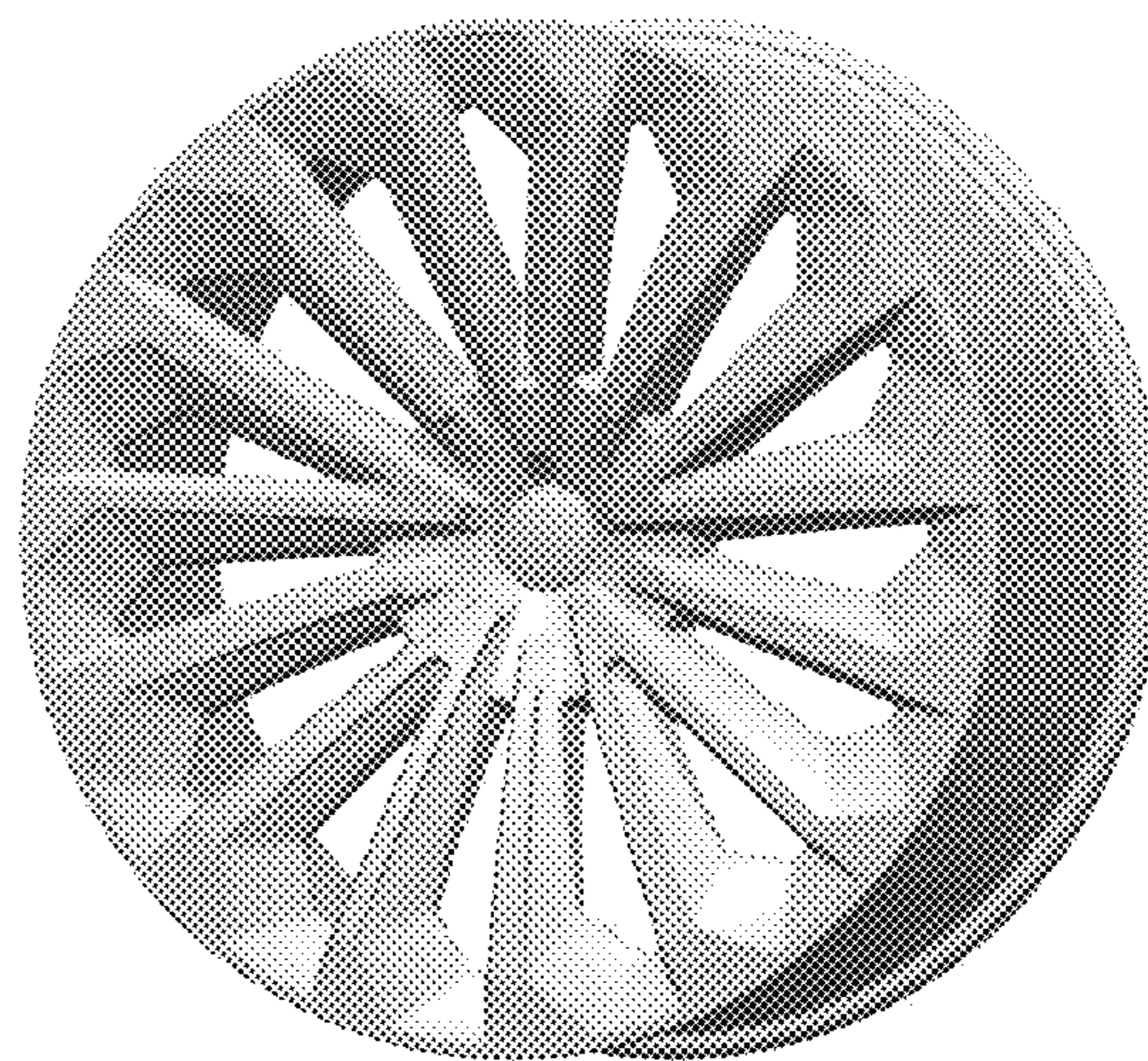
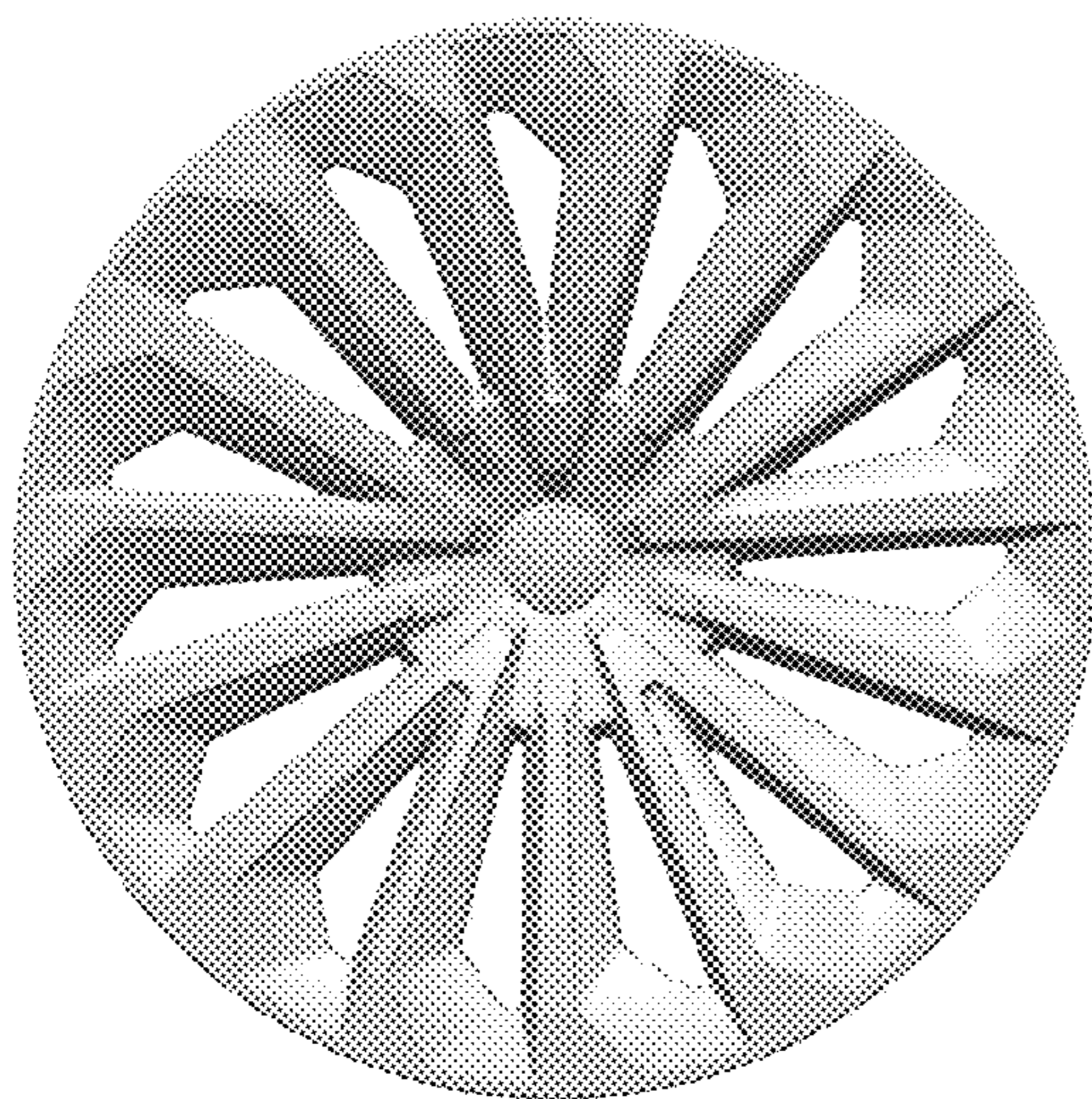
The ornamental design for a vehicle wheel rim, as shown and described.

**DESCRIPTION**

FIG. 1 is a front view of the vehicle wheel rim of the present invention; and,

FIG. 2 is a front, side perspective view thereof.

**1 Claim, 2 Drawing Sheets**





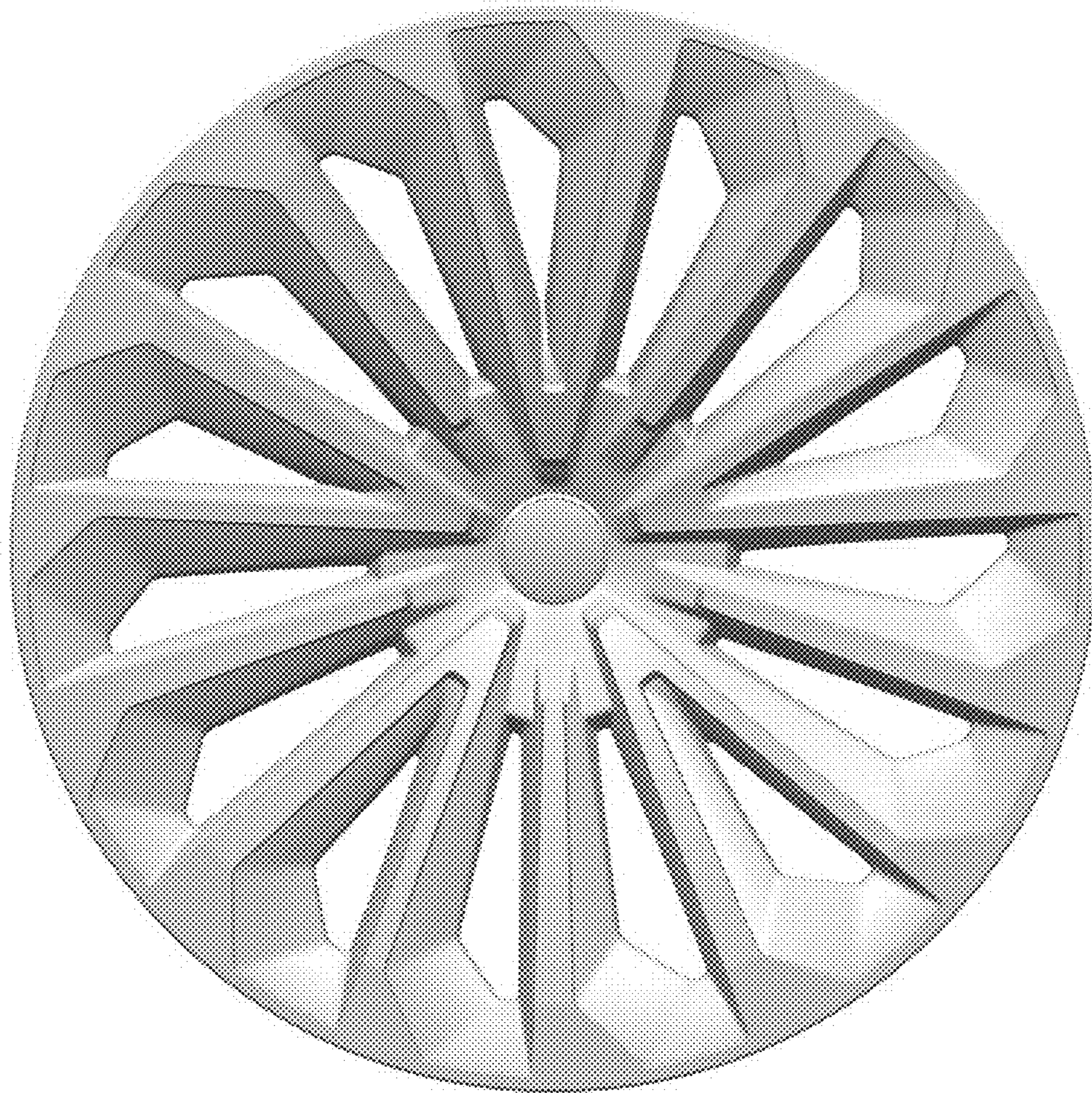


Fig. 1



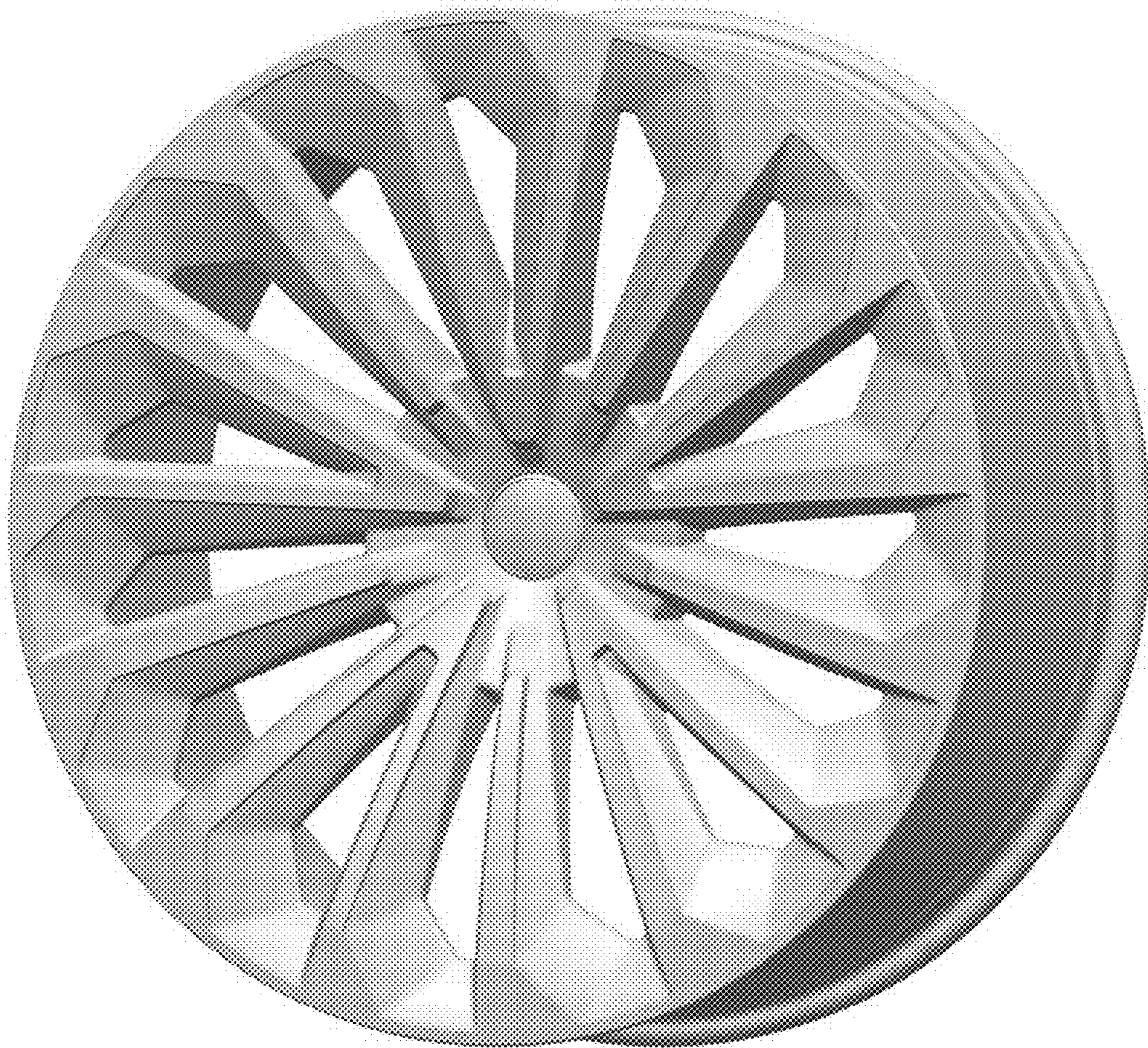


Fig. 2