



US00D774437S

(12) **United States Design Patent**
Nakano

(10) **Patent No.:** **US D774,437 S**

(45) **Date of Patent:** **** Dec. 20, 2016**

(54) **WHEEL FOR VEHICLE**

(71) Applicant: **HONDA ACCESS CORP.**, Niiza-shi,
Saitama (JP)

(72) Inventor: **Tadashi Nakano**, Niiza (JP)

(73) Assignee: **HONDA ACCESS CORP.**, Niiza-shi
(JP)

(**) Term: **15 Years**

(21) Appl. No.: **29/544,485**

(22) Filed: **Nov. 4, 2015**

(30) **Foreign Application Priority Data**

Jun. 9, 2015 (JP) 2015-012841

(51) **LOC (10) Cl.** **12-16**

(52) **U.S. Cl.**
USPC **D12/209**

(58) **Field of Classification Search**
USPC D12/204, 205, 206, 207, 208, 209,
D12/210, 211, 212, 213
CPC B60B 7/00; B60B 7/01; B60B 7/02;
B60B 7/04; B60B 7/06; B60B 3/02; B60B
3/04; B60B 3/06; B60B 3/10; B60B 1/00;
B60B 1/08; B60B 1/10; B60B 1/12
See application file for complete search history.

(56) **References Cited**

U.S. PATENT DOCUMENTS

1,349,019 A * 8/1920 Timberlake B60B 9/26
152/80
1,462,865 A * 7/1923 Lieckfelt B60B 9/26
152/80
D275,193 S * 8/1984 Schinella D12/211
D326,838 S * 6/1992 Julien D12/211

D392,239 S * 3/1998 Cullen D12/211
D493,132 S * 7/2004 Rivers, Jr. D12/209
D671,474 S * 11/2012 Juergens D12/209
D697,467 S * 1/2014 Pollmann D12/209
D697,858 S * 1/2014 Kito D12/209
D715,209 S * 10/2014 Tovey D12/209
D748,553 S * 2/2016 Miyazawa D12/209

OTHER PUBLICATIONS

<https://www.youtube.com/watch?v=LxP3gfOvBcM>—Published
Jul. 22, 2016.*
<http://www.2016releasedate2017.com/2017-honda-s2000-specs-re-design-concept/>—Published Apr. 19, 2016.*

* cited by examiner

Primary Examiner — Manpreet Matharu
Assistant Examiner — Mojtaba Tehrani
(74) *Attorney, Agent, or Firm* — Westerman, Hattori,
Daniels & Adrian, LLP

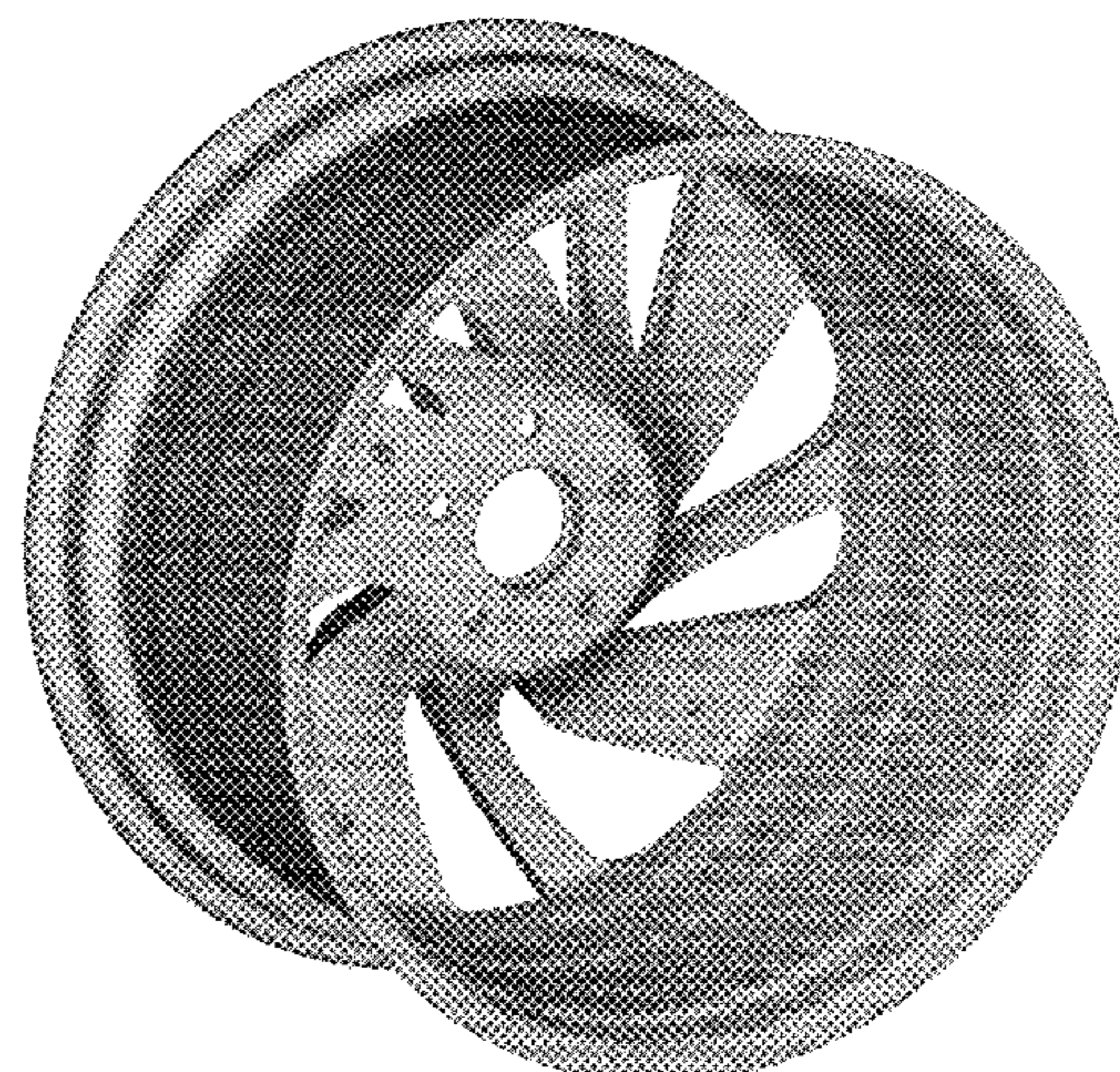
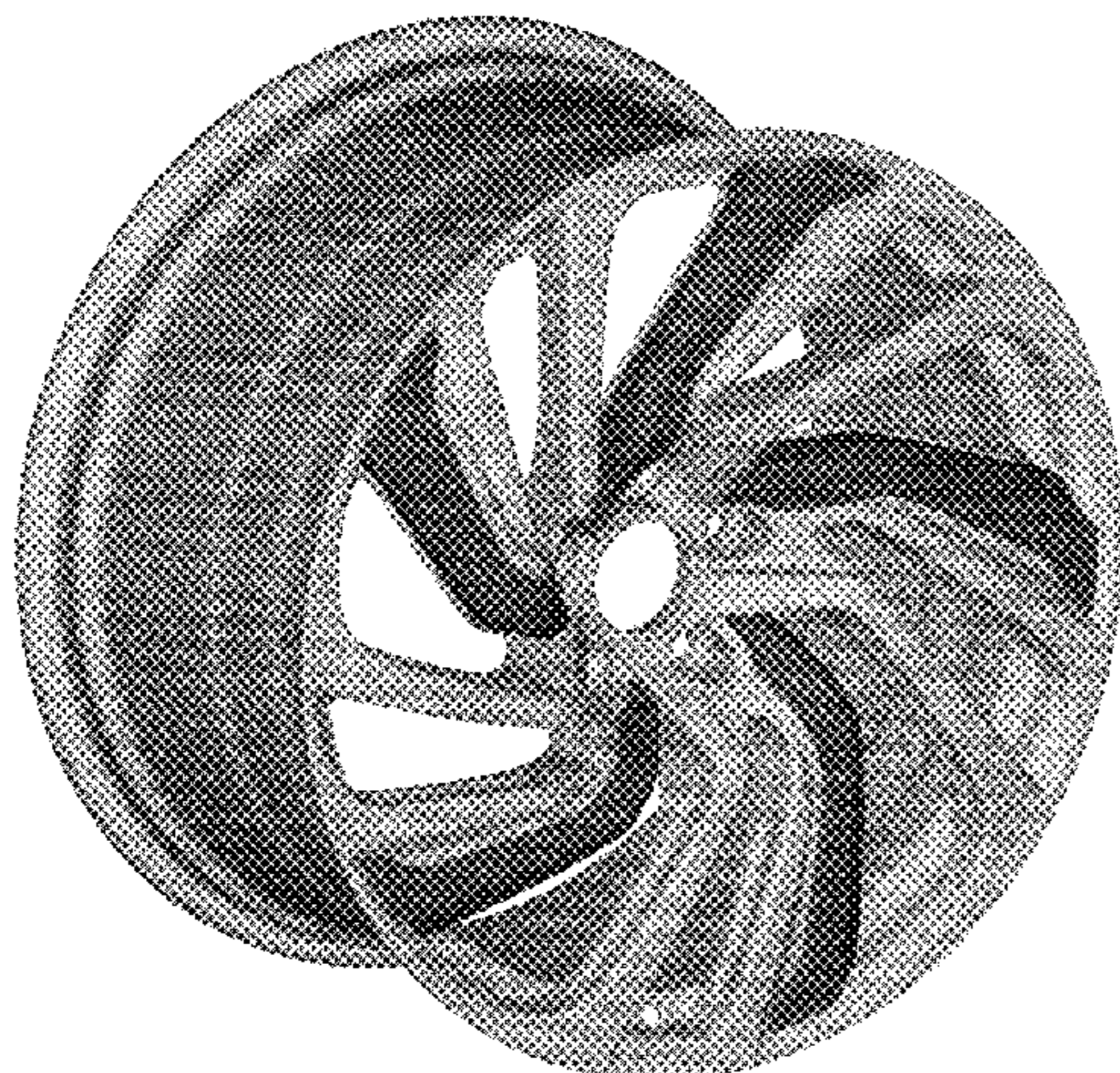
(57) **CLAIM**

The ornamental design for a wheel for vehicle, as shown.

DESCRIPTION

FIG. 1 is a front perspective view of a wheel for vehicle showing my new design;
FIG. 2 is a rear perspective view thereof;
FIG. 3 is a bottom side view thereof;
FIG. 4 is front view thereof;
FIG. 5 is a rear view thereof;
FIG. 6 is a top plan view thereof;
FIG. 7 is a bottom plan view thereof;
FIG. 8 is a left side view thereof;
FIG. 9 is a right side view thereof; and,
FIG. 10 is an exploded front perspective view thereof.

1 Claim, 6 Drawing Sheets



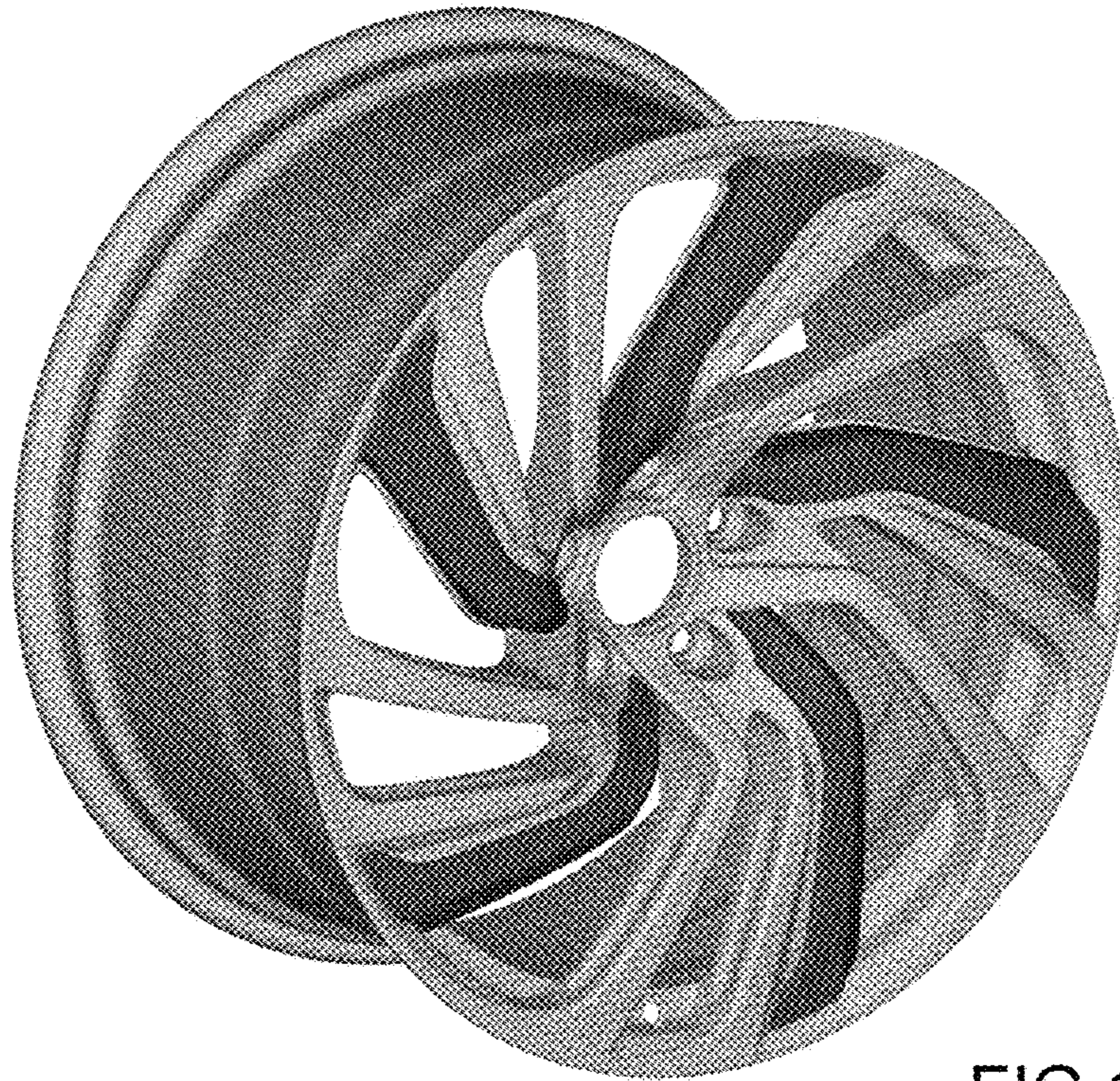


FIG.1

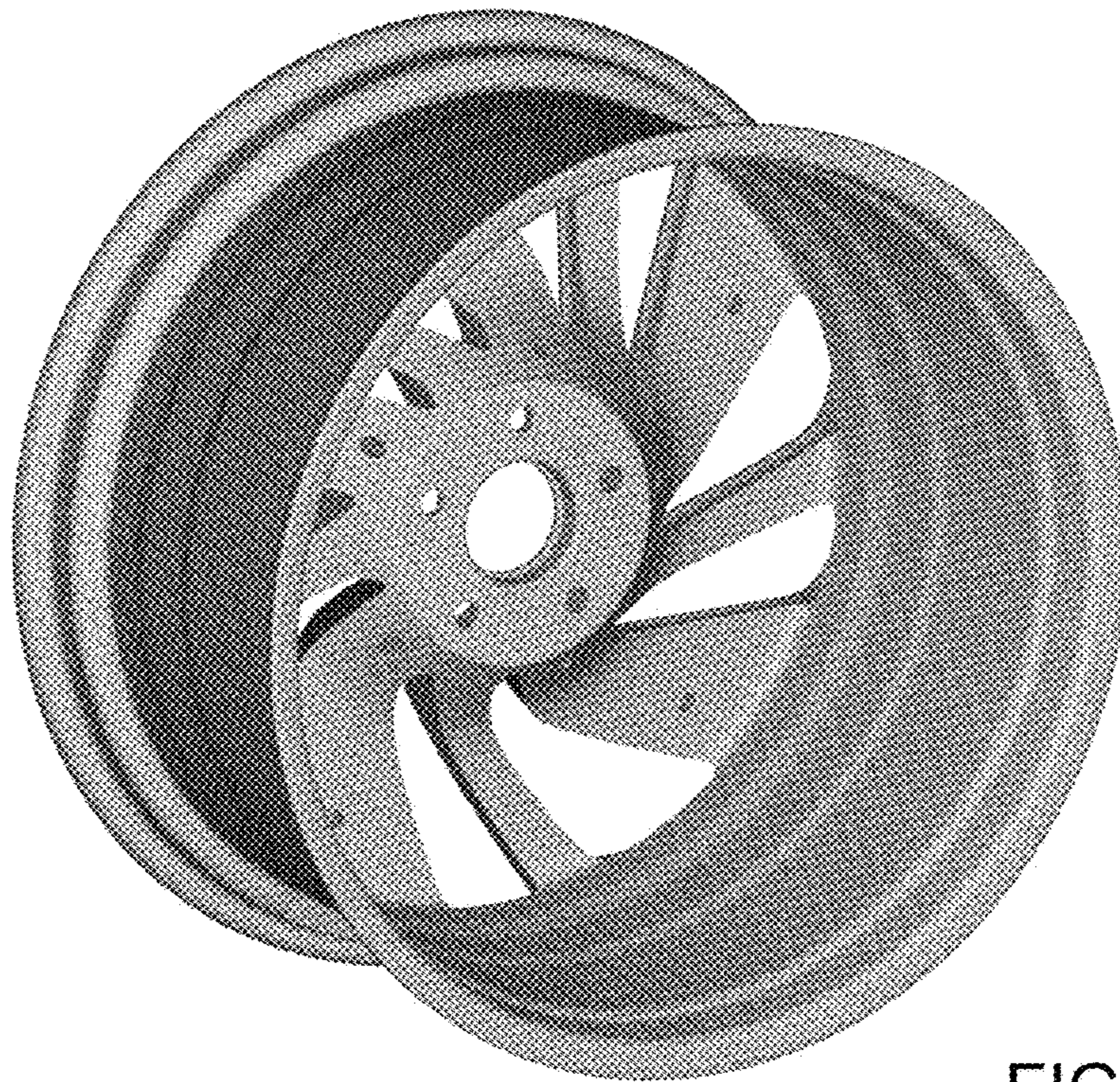


FIG.2

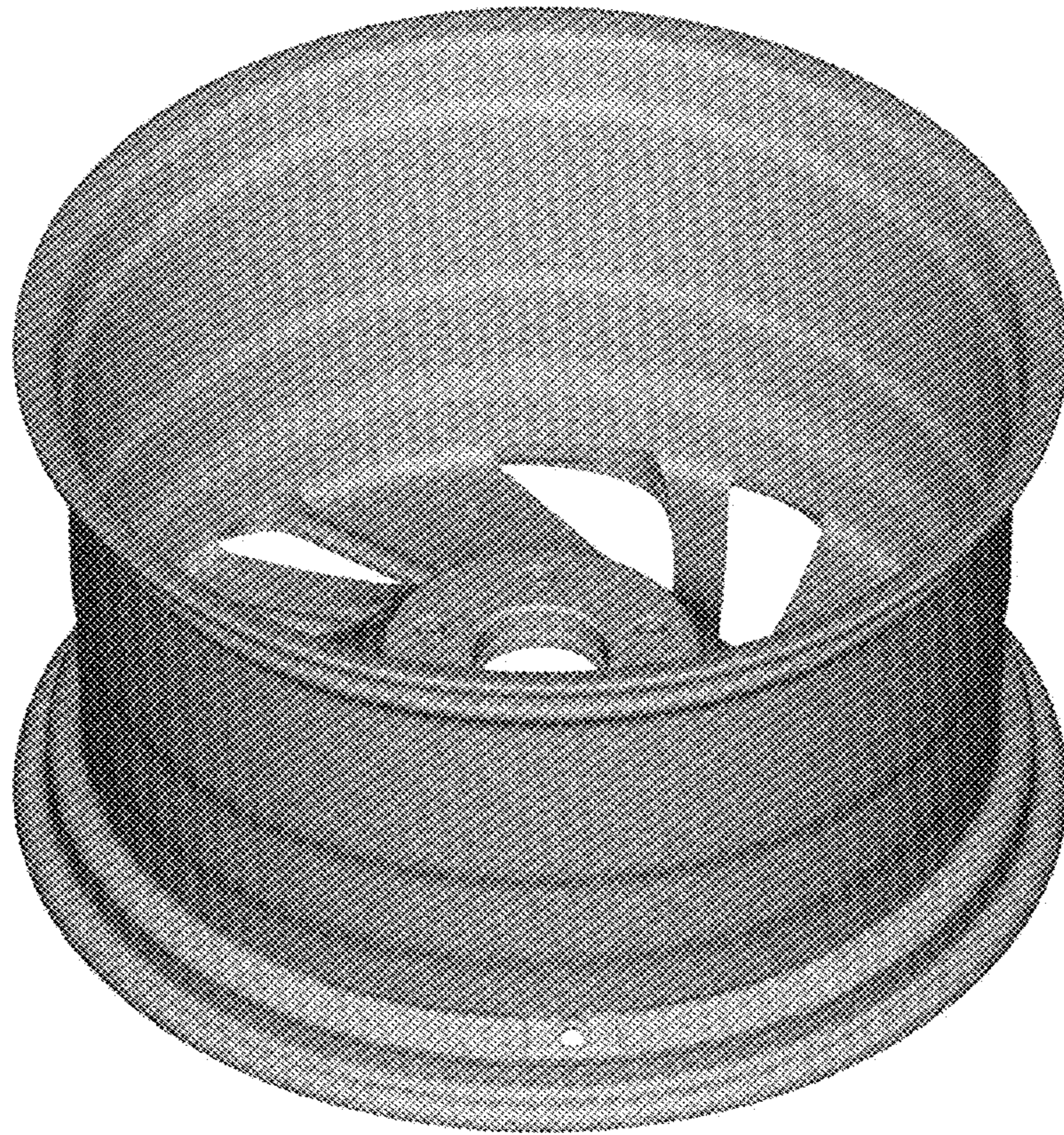


FIG.3

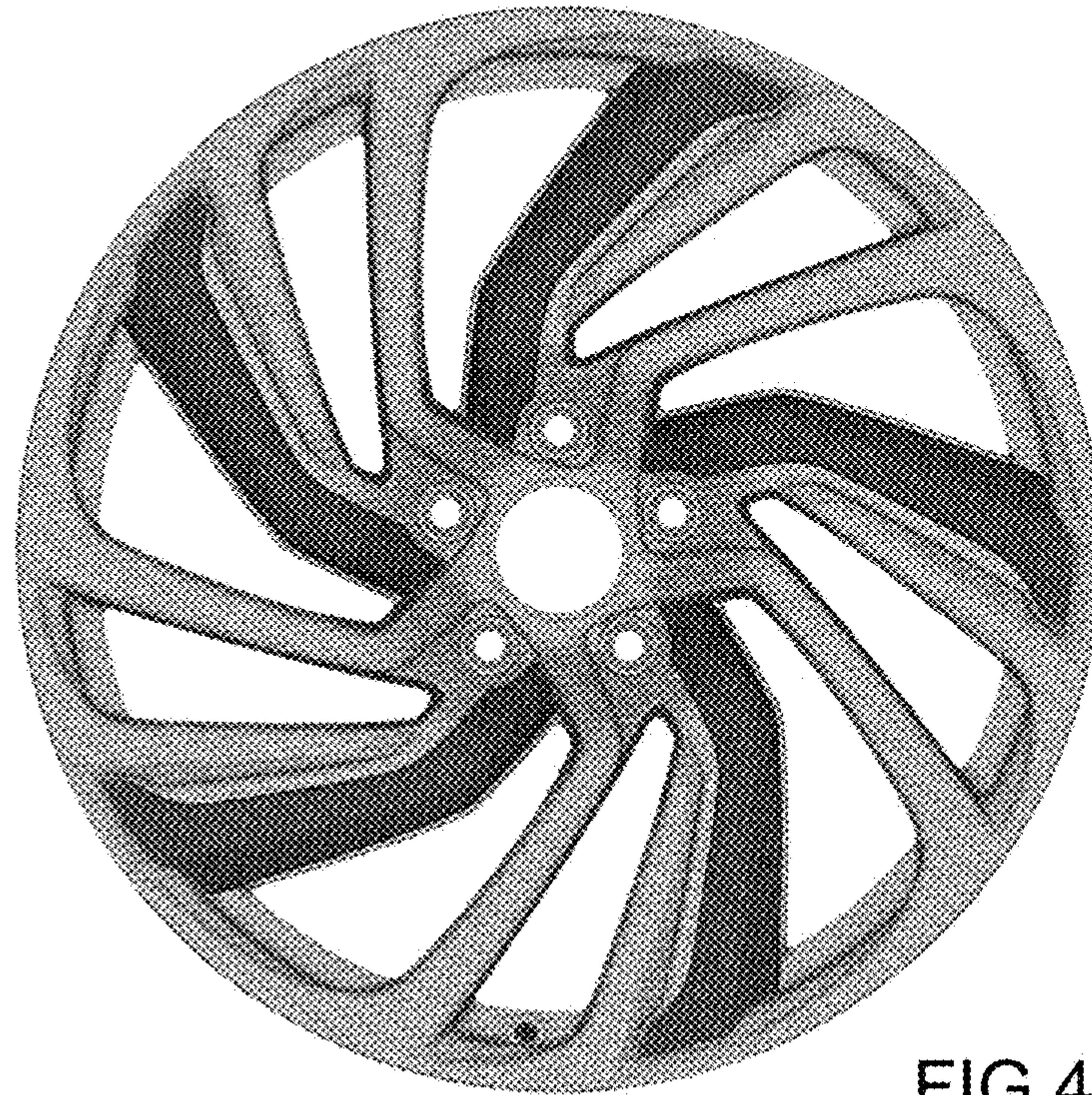


FIG. 4

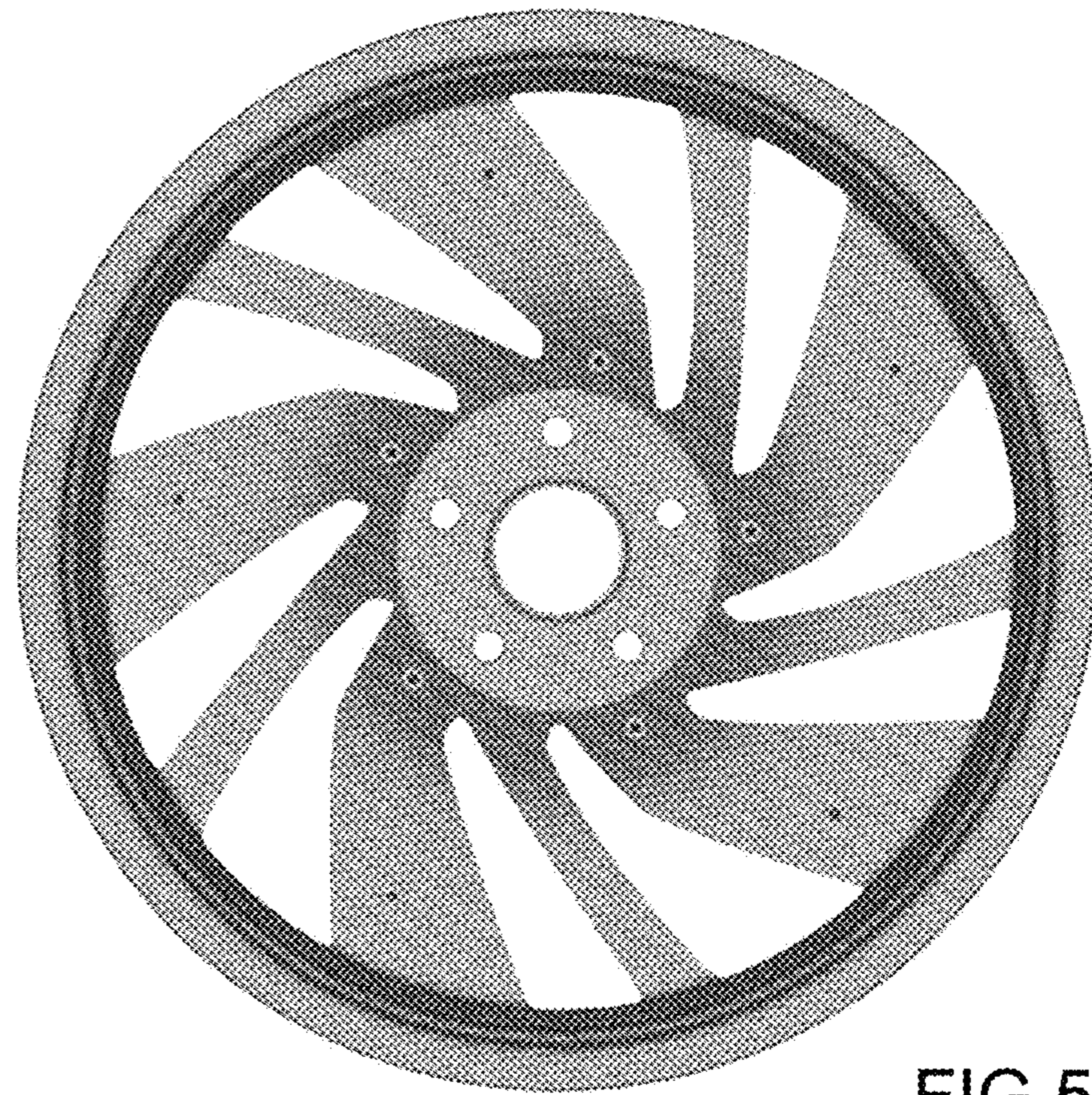


FIG. 5

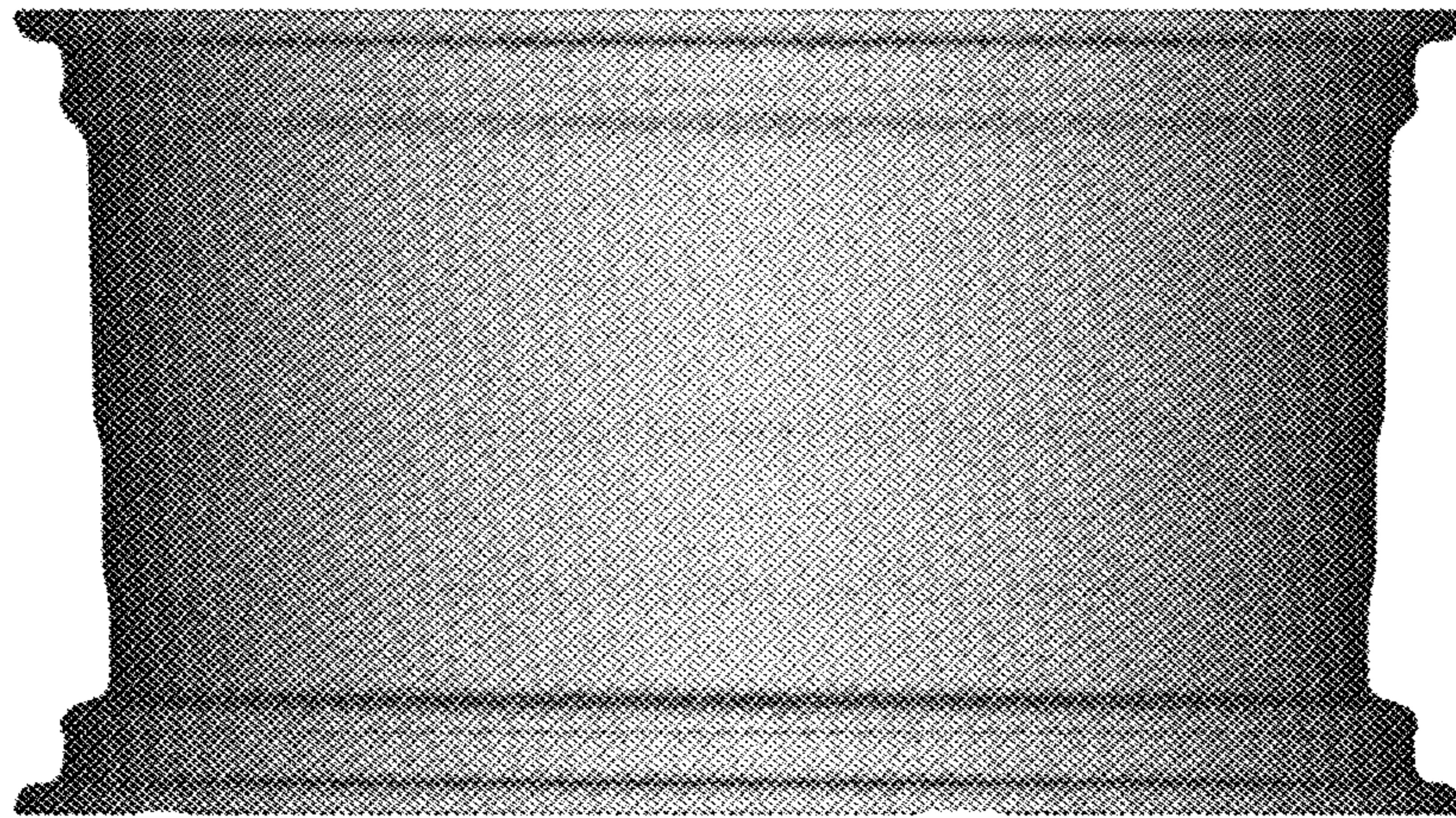


FIG. 6

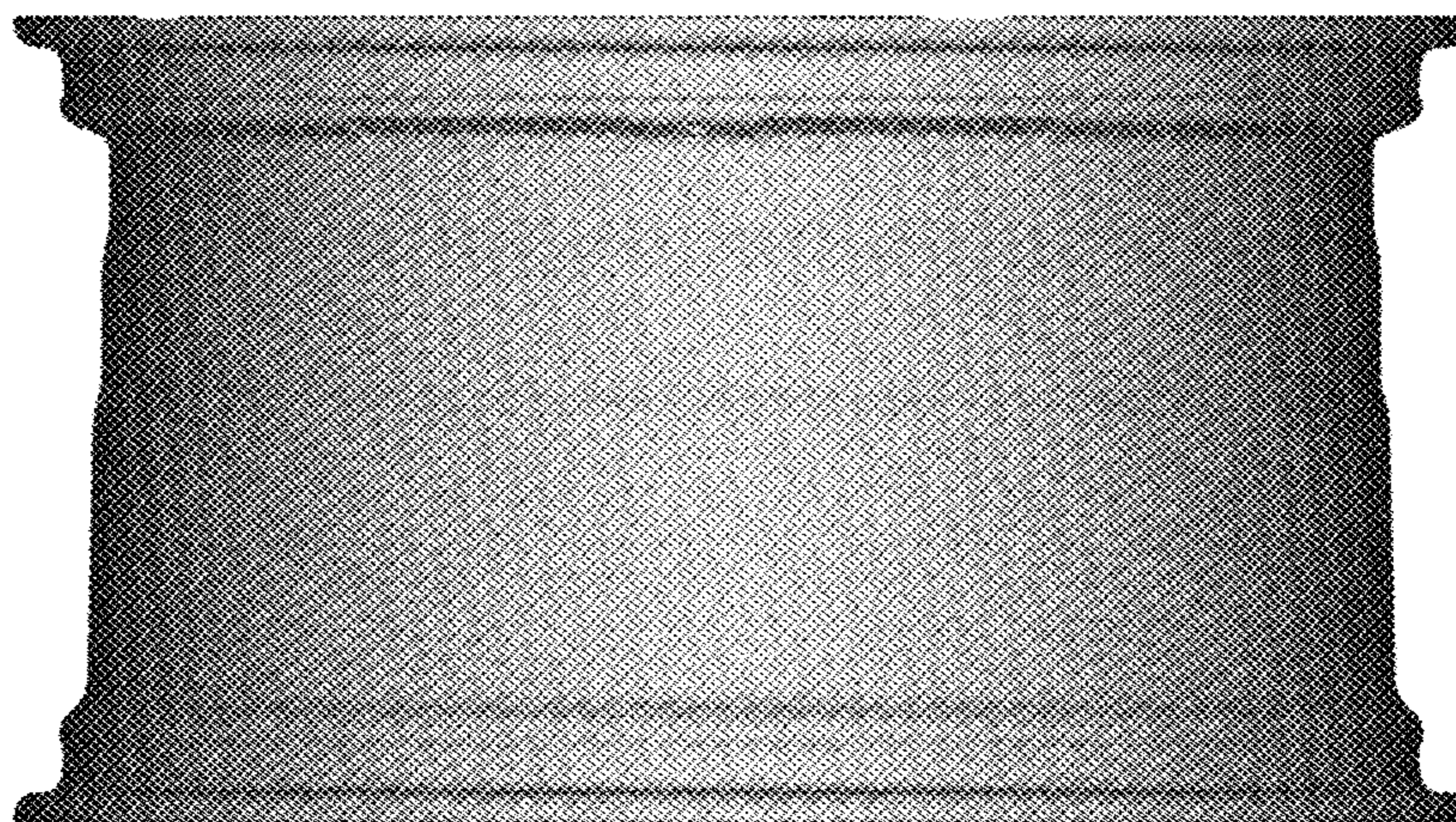


FIG. 7

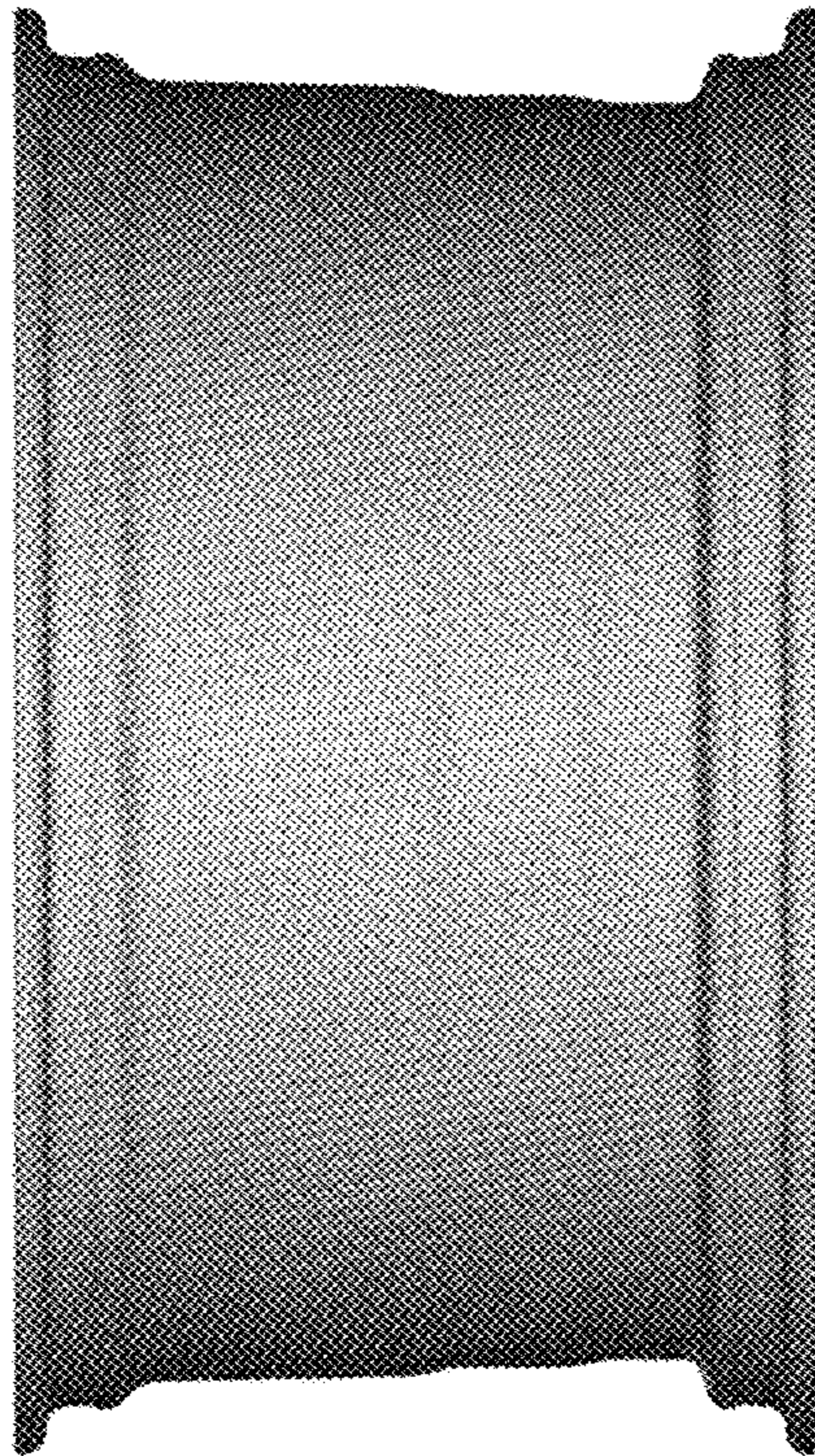


FIG. 8

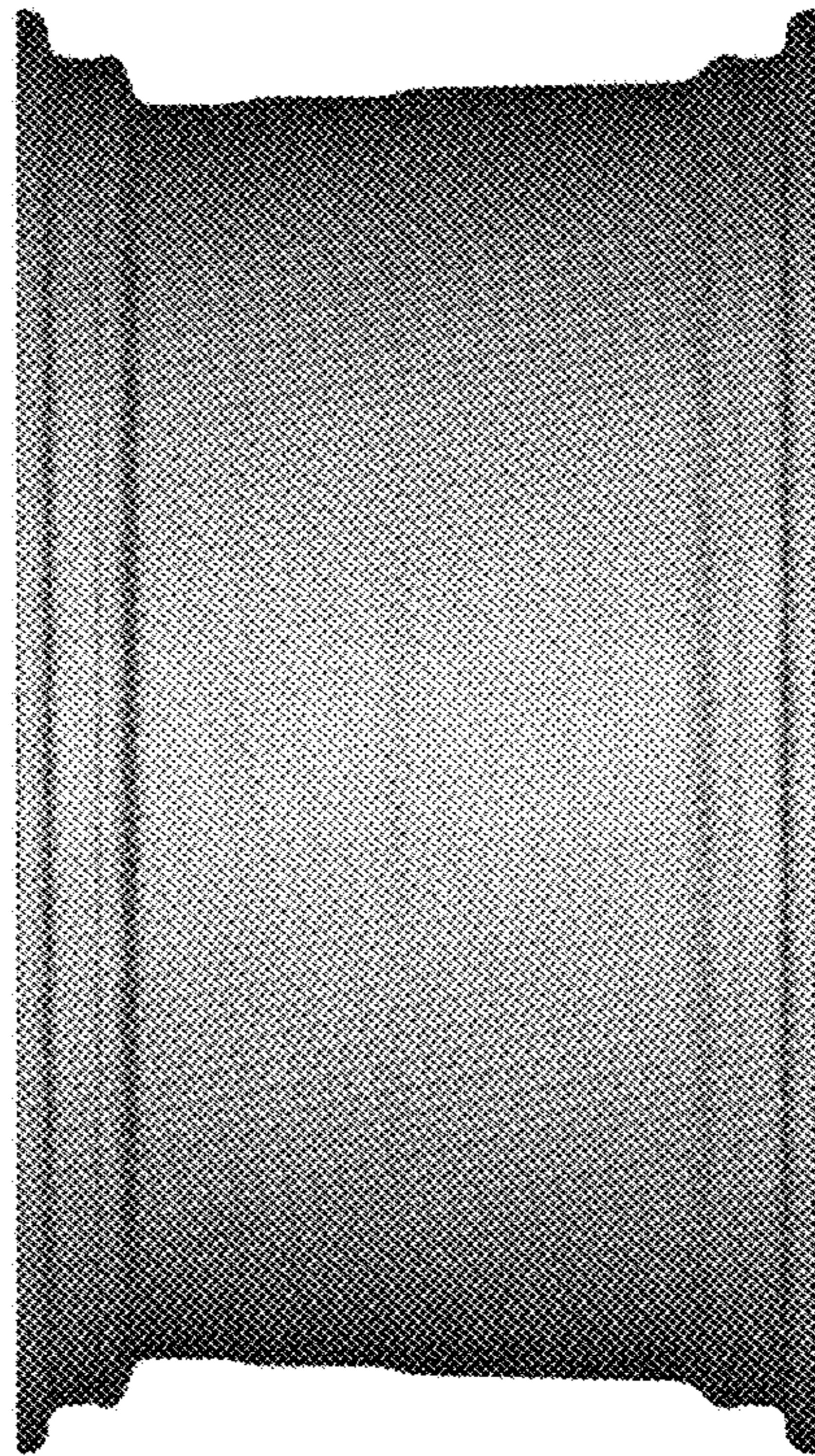


FIG. 9

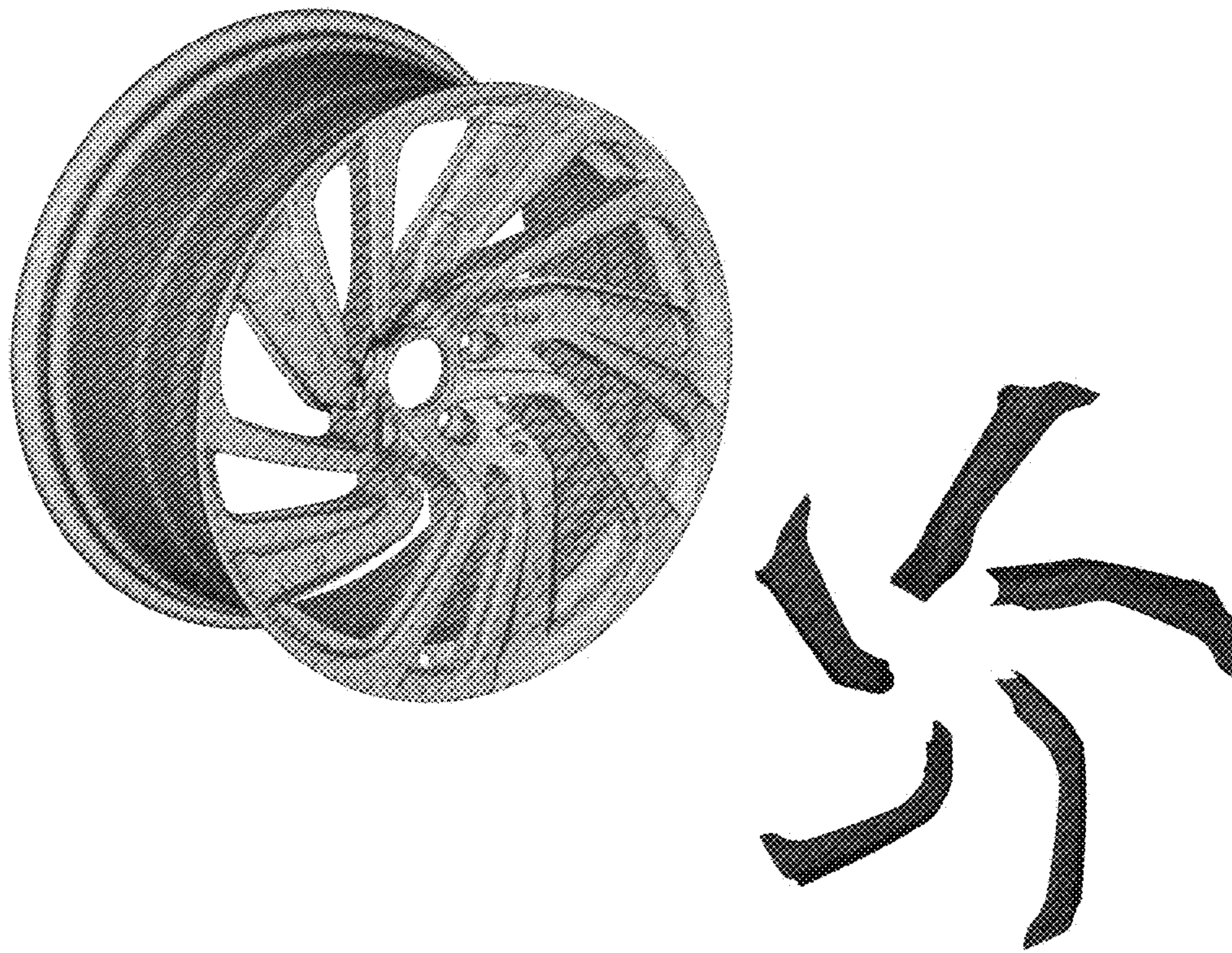


FIG.10