



US00D774434S

(12) **United States Design Patent**  
**Nakahara**

(10) **Patent No.:** **US D774,434 S**

(45) **Date of Patent:** **\*\* Dec. 20, 2016**

(54) **WHEEL FOR AUTOMOBILES**

(71) Applicant: **HONDA MOTOR CO., LTD.**, Tokyo (JP)

(72) Inventor: **Jun Nakahara**, Wako (JP)

(73) Assignee: **HONDA MOTOR CO., LTD.**, Tokyo (JP)

(\*\*) Term: **14 Years**

(21) Appl. No.: **29/511,761**

(22) Filed: **Dec. 12, 2014**

(30) **Foreign Application Priority Data**

Jun. 13, 2014 (JP) ..... 2014-012795

(51) **LOC (10) Cl.** ..... **12-16**

(52) **U.S. Cl.**  
USPC ..... **D12/209**

(58) **Field of Classification Search**  
USPC ..... D12/204-213  
CPC ..... B60B 7/00; B60B 7/02; B60B 7/04;  
B60B 7/01; B60B 7/06; B60B 3/02; B60B  
3/04; B60B 3/06; B60B 3/10; B60B 1/00;  
B60B 1/08; B60B 1/10; B60B 1/12  
See application file for complete search history.

(56) **References Cited**

**U.S. PATENT DOCUMENTS**

D395,862 S *	7/1998	Cullen	.....	D12/209
D396,444 S *	7/1998	Neeper	.....	D12/209
D430,842 S *	9/2000	Chinellato	.....	D12/209
D493,132 S *	7/2004	Rivers, Jr.	.....	D12/209
D616,799 S *	6/2010	Zhao	.....	D12/209
D652,361 S *	1/2012	Forschner	.....	D12/209
D655,657 S *	3/2012	Juergens	.....	D12/209
D669,833 S *	10/2012	Pollmann	.....	D12/209
D671,060 S *	11/2012	Baum	.....	D12/209

D671,475 S *	11/2012	Juergens	.....	D12/209
D683,681 S *	6/2013	Juergens	.....	D12/209
D685,709 S	7/2013	Hanaoka	.....	
D691,081 S *	10/2013	Watkin	.....	D12/211
D695,186 S *	12/2013	Pollmann	.....	D12/209
D709,427 S *	7/2014	Clottu	.....	D12/209
D710,286 S *	8/2014	Yamaguchi	.....	D12/209
D715,209 S *	10/2014	Tovey	.....	D12/209

(Continued)

**FOREIGN PATENT DOCUMENTS**

JP	D1458724 S	1/2013
JP	D1490489 S	2/2014
JP	D1502374 S	7/2014

**OTHER PUBLICATIONS**

Official Communication dated May 13, 2015, issued in corresponding Japanese Patent Application No. 2014-012795 (1 page).

(Continued)

*Primary Examiner* — Stacia Cadmus

(74) *Attorney, Agent, or Firm* — Westerman, Hattori, Daniels & Adrian, LLP

(57) **CLAIM**

The ornamental design for a wheel for automobiles, as shown and described.

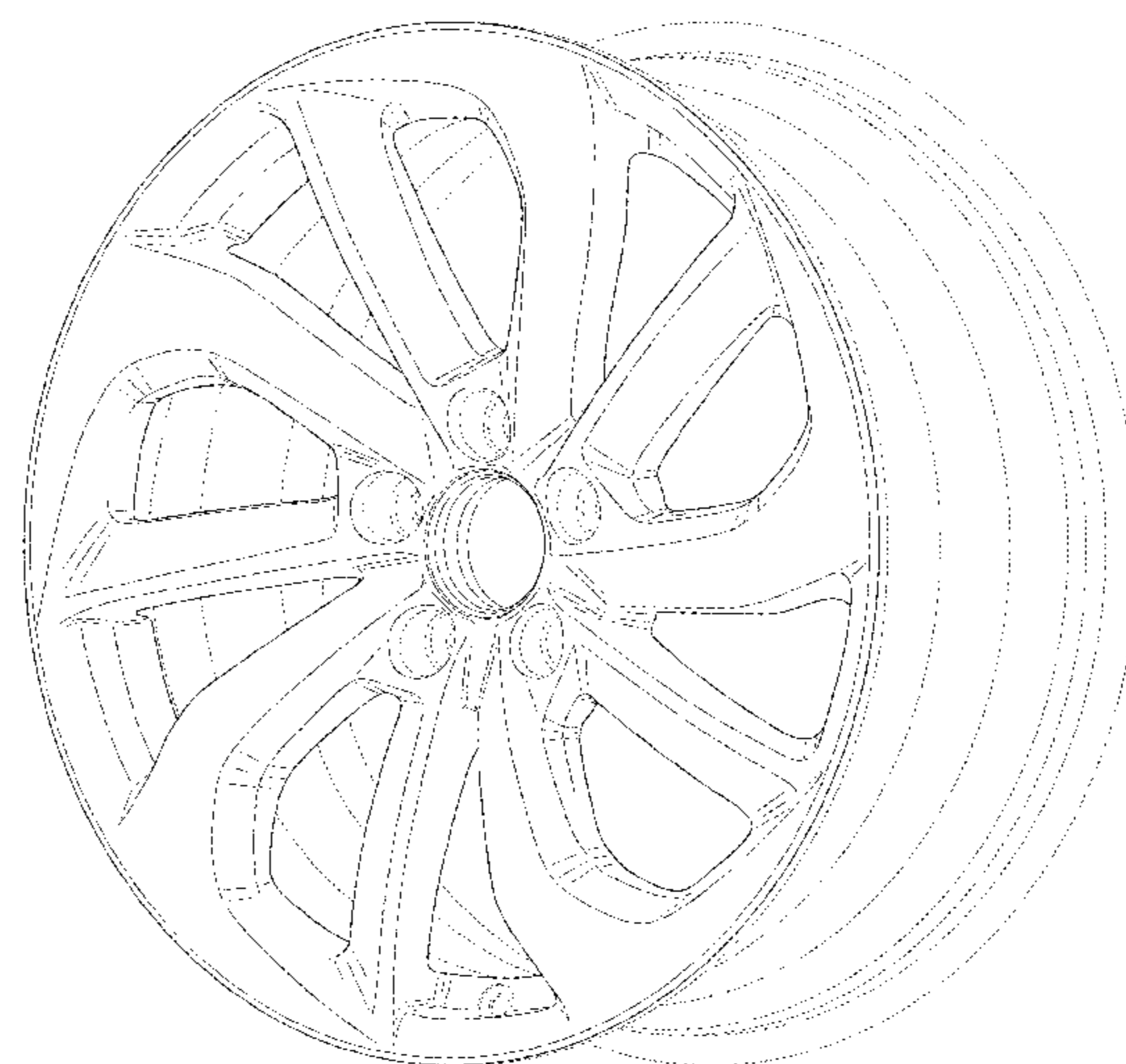
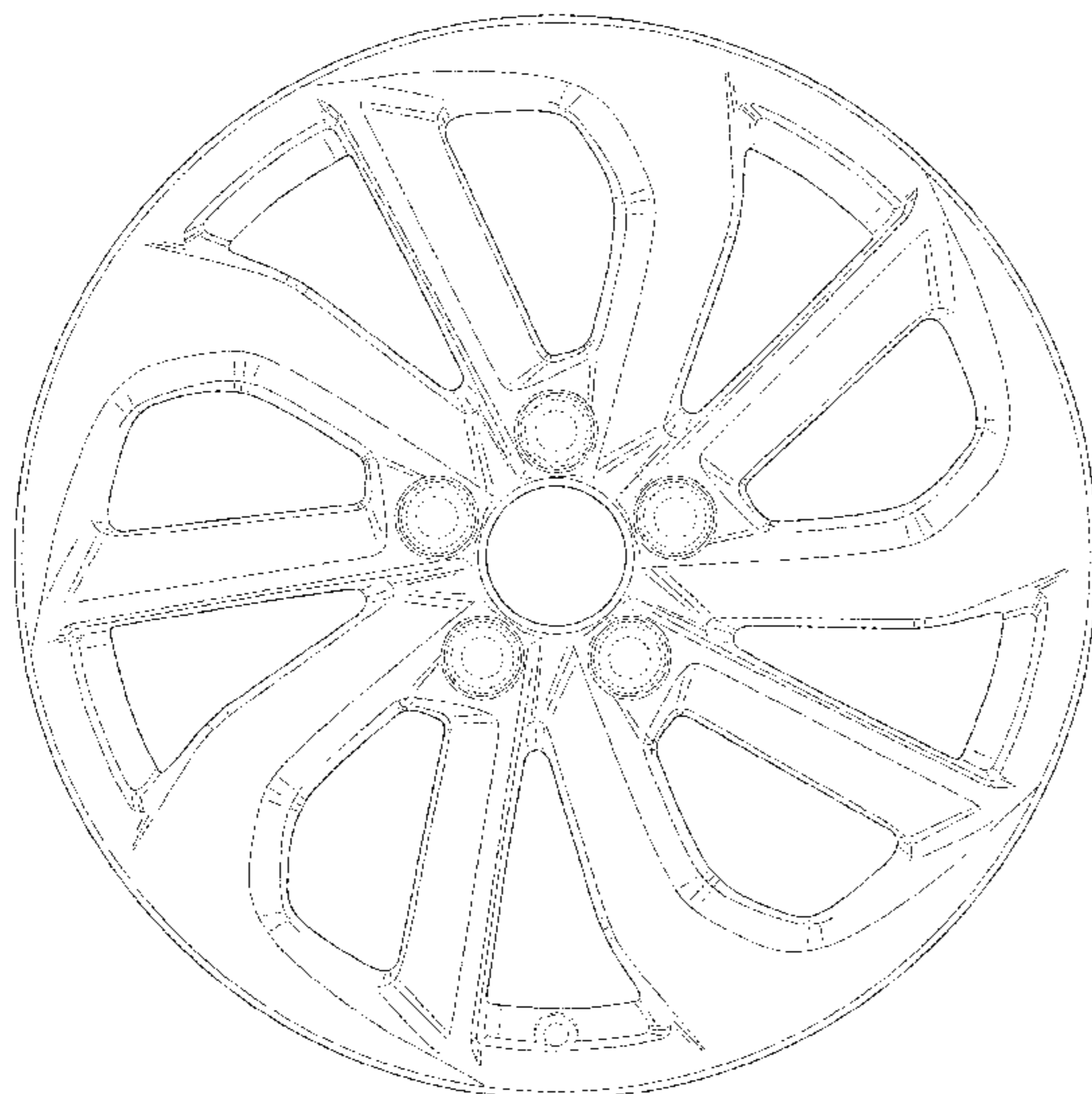
**DESCRIPTION**

FIG. 1 is a front view of a wheel for automobiles showing my new design; and,

FIG. 2 is a front perspective view of a wheel as seen from the right side.

The broken line showing of the rim of the wheel, the bolt holes and the valve stem hole is included for the purpose of illustrating environment and form no part of the claimed design.

**1 Claim, 2 Drawing Sheets**



(56)

**References Cited**

U.S. PATENT DOCUMENTS

D725,569	S	*	3/2015	Komukai	.....	D12/209
D726,086	S	*	4/2015	Muntada Roura	.....	D12/209
D729,138	S	*	5/2015	Davidson	.....	D12/209
D748,031	S	*	1/2016	Miyazawa	.....	D12/209
D748,553	S	*	2/2016	Miyazawa	.....	D12/209
D754,047	S	*	4/2016	Frascella	.....	D12/209
D755,692	S	*	5/2016	Nakahara	.....	D12/209

OTHER PUBLICATIONS

Notice of Refusal dated Dec. 3, 2014, issued in counterpart Japanese Patent Application No. 2014-012795 (2 pages).

\* cited by examiner

FIG.1

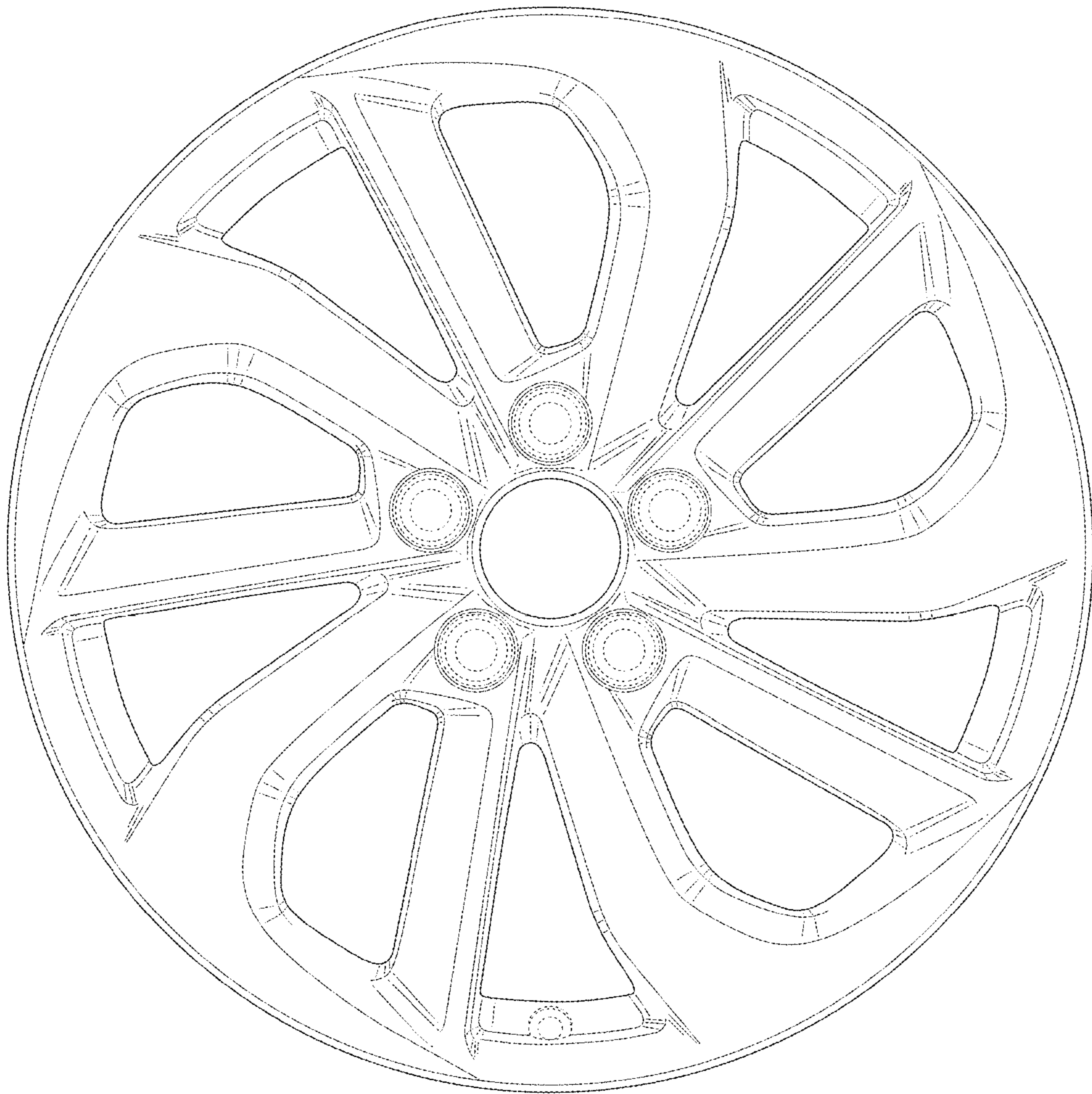


FIG.2

