



US00D774432S

(12) **United States Design Patent**
Wedeking

(10) **Patent No.:** **US D774,432 S**

(45) **Date of Patent:** **** Dec. 20, 2016**

(54) **AUTOMOTIVE DOOR PANEL ACCESSORY**

(71) Applicant: **KAMM INDUSTRIES INC.**,
Temecula, CA (US)

(72) Inventor: **Aaron Alfred Wedeking**, Temecula,
CA (US)

(73) Assignee: **KAMM INDUSTRIES INC.**,
Temecula, CA (US)

(**) Term: **14 Years**

(21) Appl. No.: **29/524,248**

(22) Filed: **Apr. 17, 2015**

(51) **LOC (10) Cl.** **12-08**

(52) **U.S. Cl.**
USPC **D12/195**

(58) **Field of Classification Search**
USPC D12/195, 193, 414, 190, 196; D15/17,
D15/28; D10/46, 98, 102-103;
D8/302-303
CPC B60J 5/04; B60N 2/466; B60N 2/4693;
B60R 13/0243; B60R 13/02
See application file for complete search history.

(56) **References Cited**

U.S. PATENT DOCUMENTS

D714,699 S	*	10/2014	Conway	D12/195
D714,700 S	*	10/2014	Yamamoto	D12/195
D716,210 S	*	10/2014	Ishikawa	D12/195
D720,267 S	*	12/2014	Norman	D12/195
D738,801 S	*	9/2015	Canitano, Jr.	D12/195
D756,873 S	*	5/2016	Donckerwolke	D12/195
D763,757 S	*	8/2016	Buffery	D12/195
D766,791 S	*	9/2016	Buffery	D12/195
D766,792 S	*	9/2016	Shimizu	D12/195

* cited by examiner

Primary Examiner — Katrina A Betton

(74) *Attorney, Agent, or Firm* — Knobbe Martens Olson
& Bear LLP

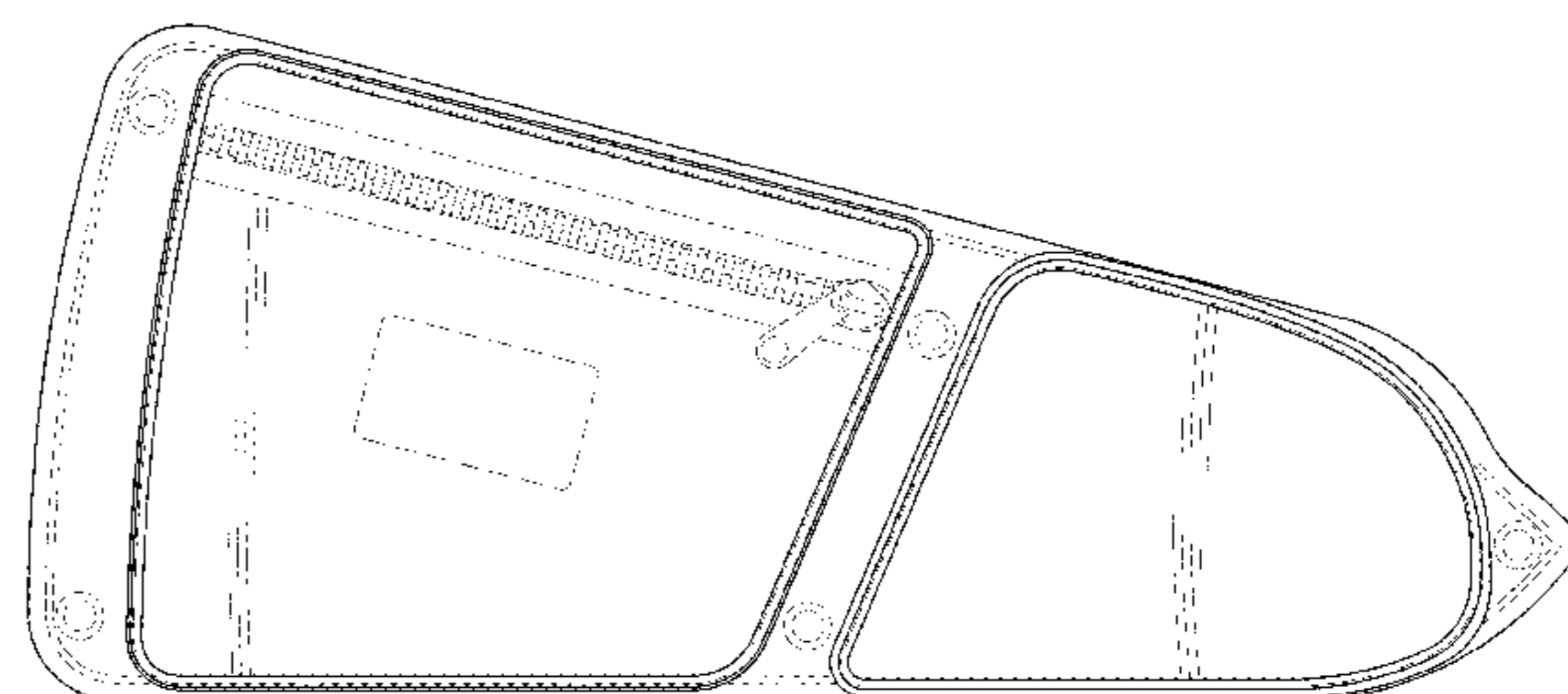
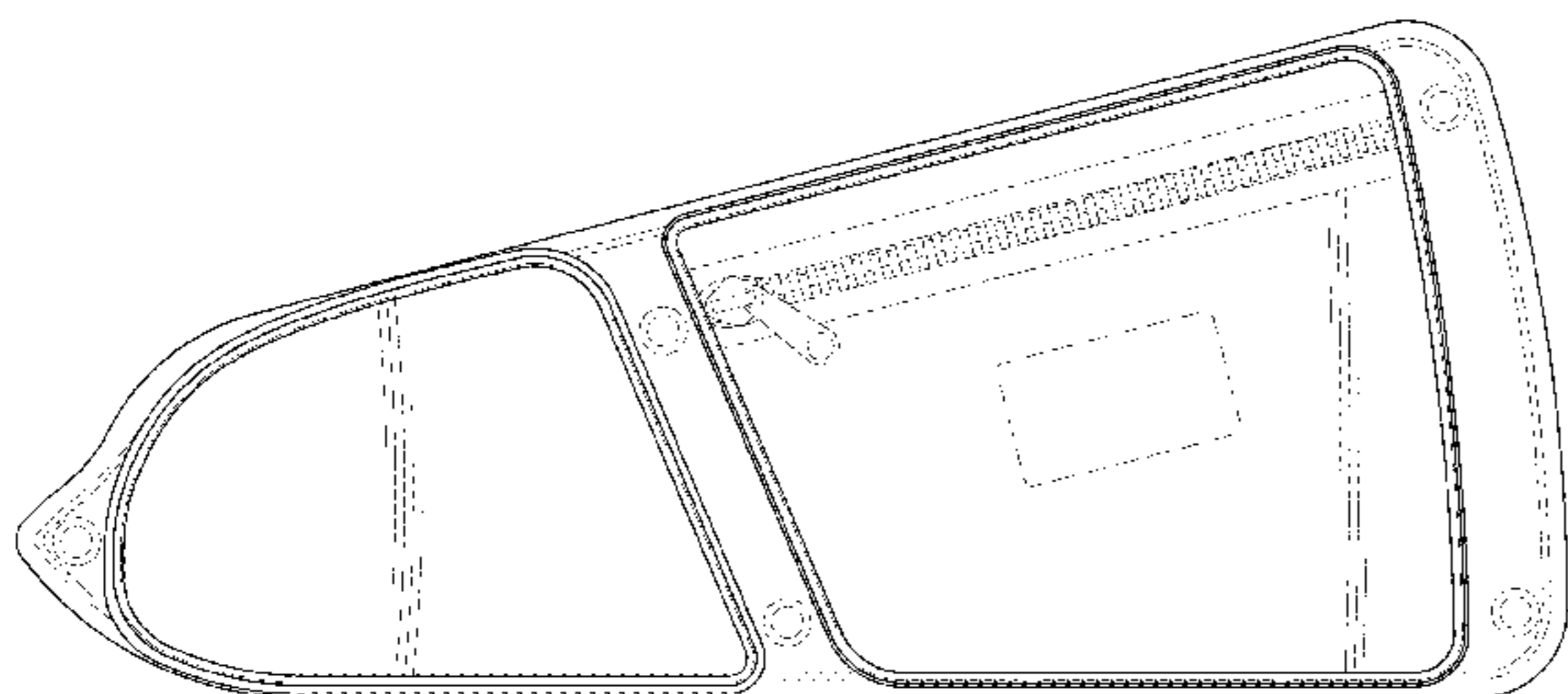
(57) **CLAIM**

The ornamental design for an automotive door panel acces-
sory, as shown and described.

DESCRIPTION

FIG. 1 is a perspective view of a first embodiment of an automotive door panel accessory showing my new design. FIG. 2 is a front elevational view thereof. FIG. 3 is rear elevational view thereof. FIG. 4 is a right-side elevational view thereof. FIG. 5 is a left-side elevational view thereof. FIG. 6 is a top plan view thereof. FIG. 7 is a bottom plan view thereof. FIG. 8 is a perspective view of a second embodiment of the automotive door panel accessory, the second embodiment being a mirror image of the first embodiment, with no patentable distinction between the first and second embodiments. FIG. 9 is a front elevational view thereof. FIG. 10 is rear elevational view thereof. FIG. 11 is a right-side elevational view thereof. FIG. 12 is a left-side elevational view thereof. FIG. 13 is a top plan view thereof; and, FIG. 14 is a bottom plan view thereof. The broken lines throughout the drawings indicate environmental elements, such as zippers, grommets, and stitching, that form no part of the claimed design.

1 Claim, 14 Drawing Sheets



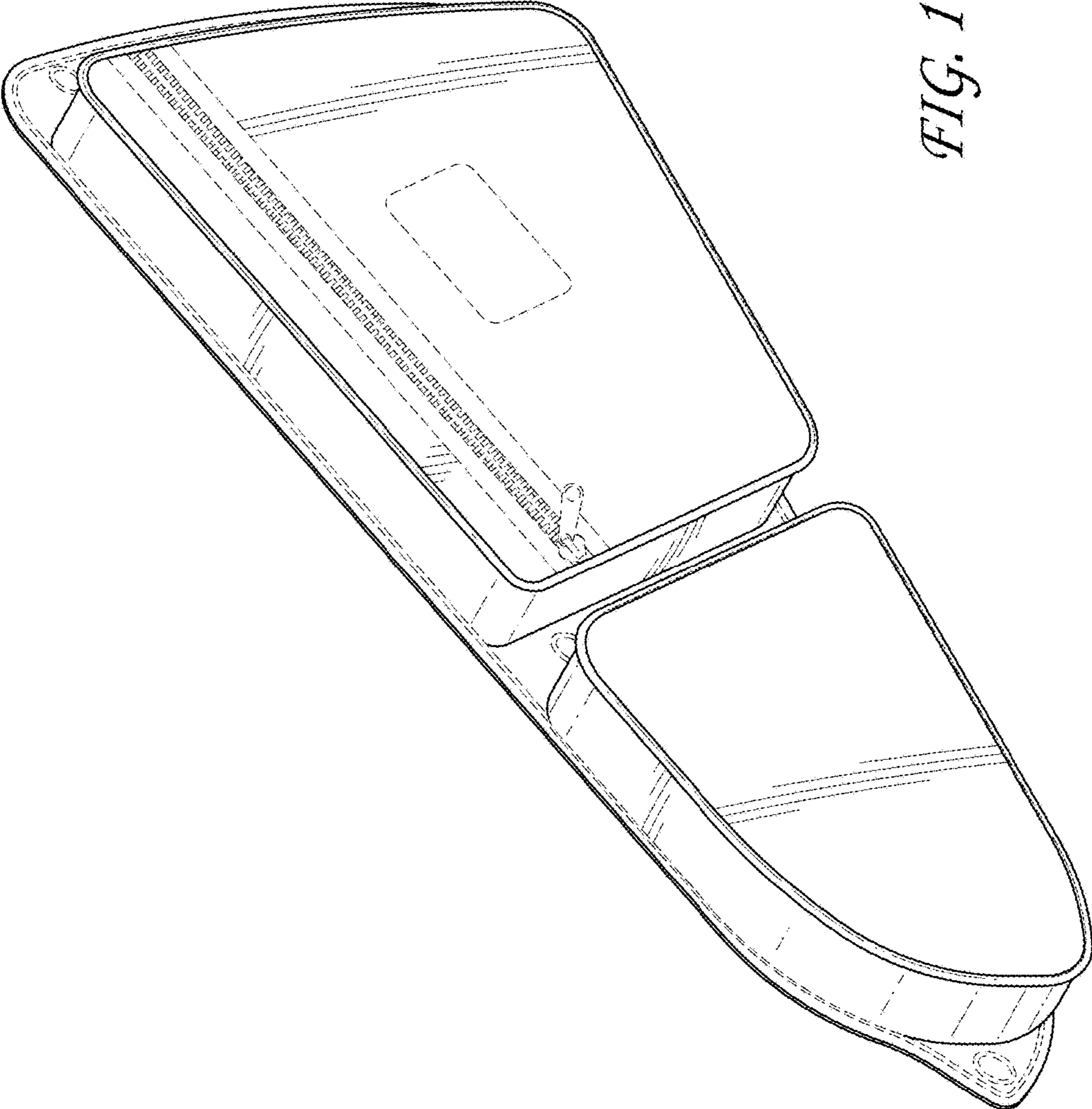


FIG. 1

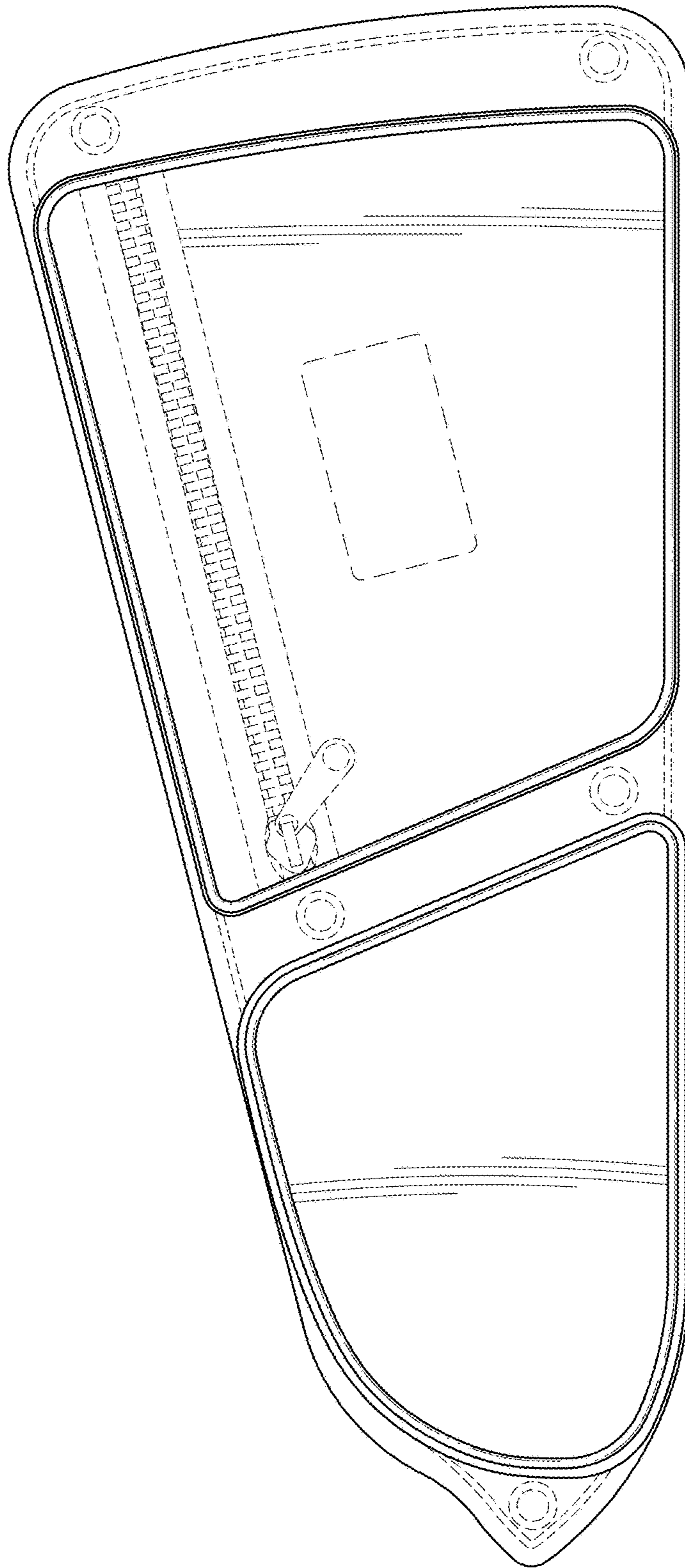


FIG. 2

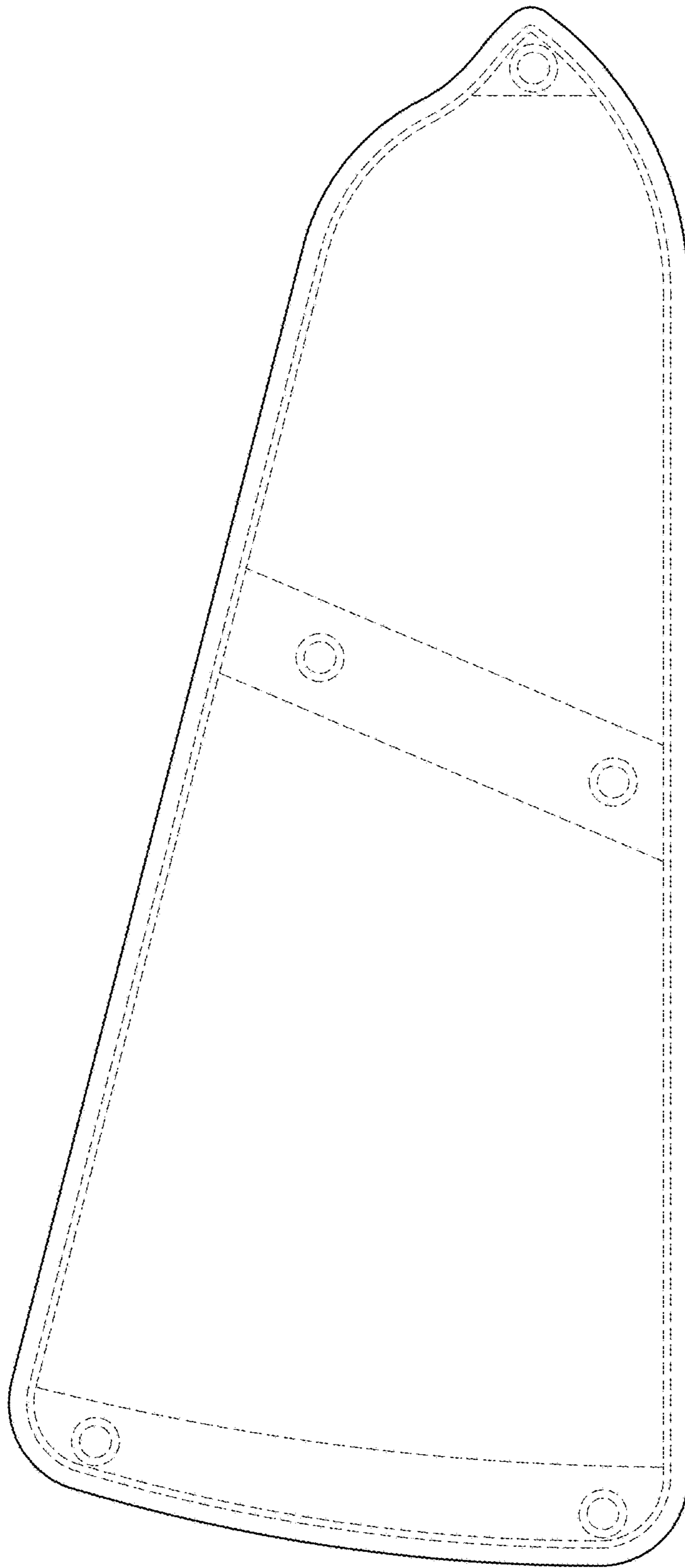


FIG. 3

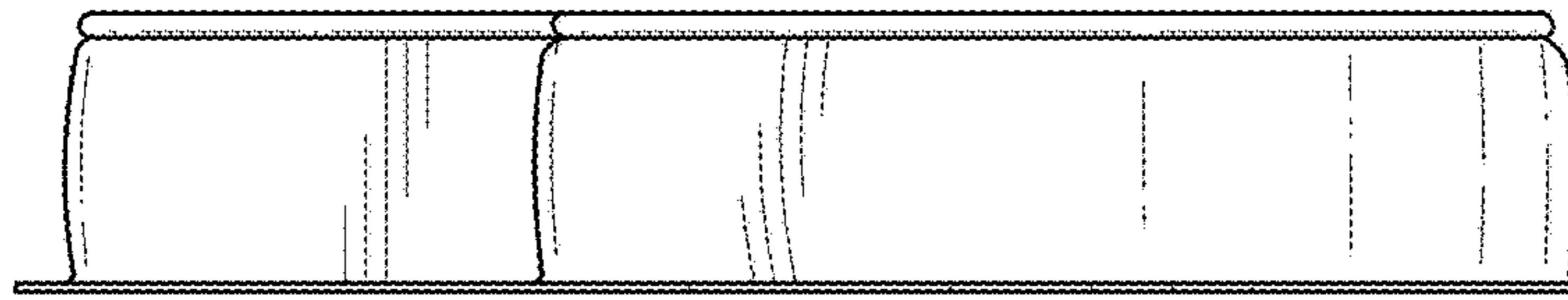


FIG. 4

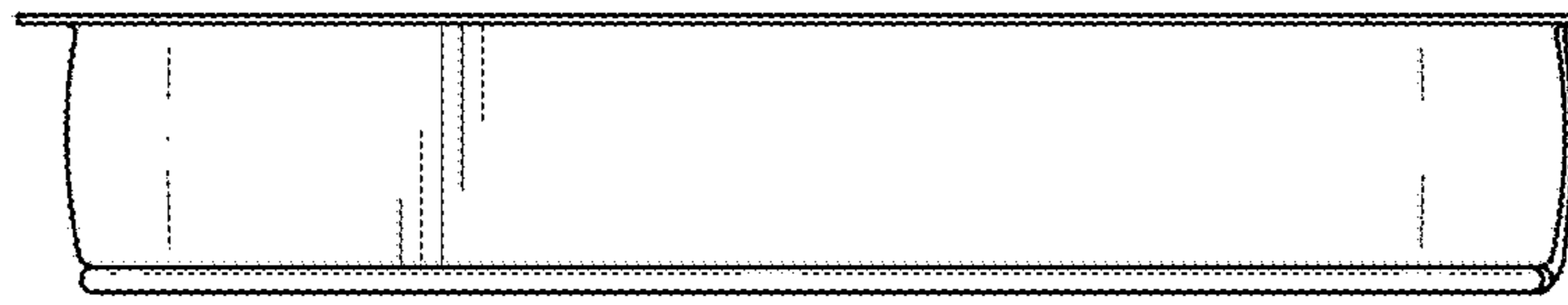


FIG. 5

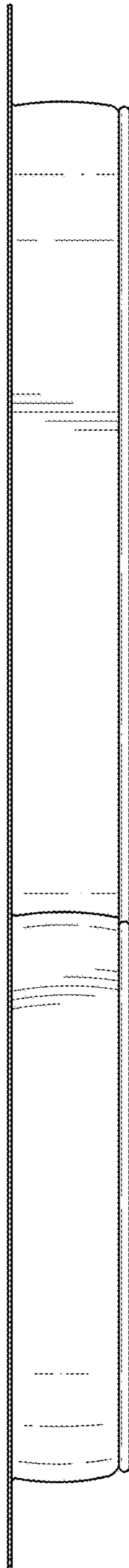


FIG. 6

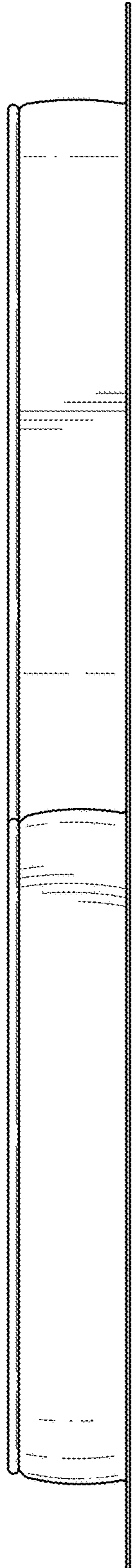


FIG. 7

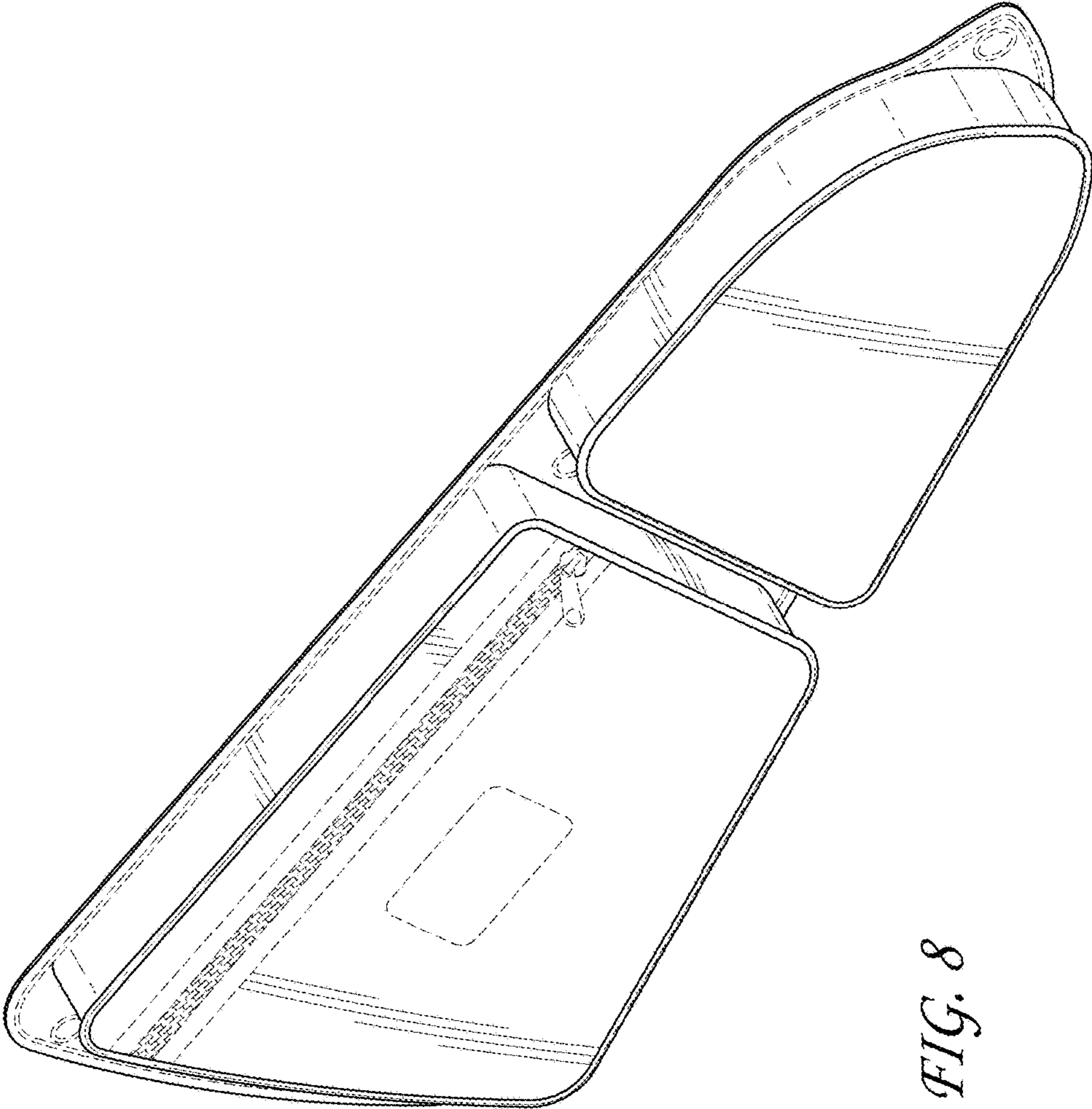


FIG. 8

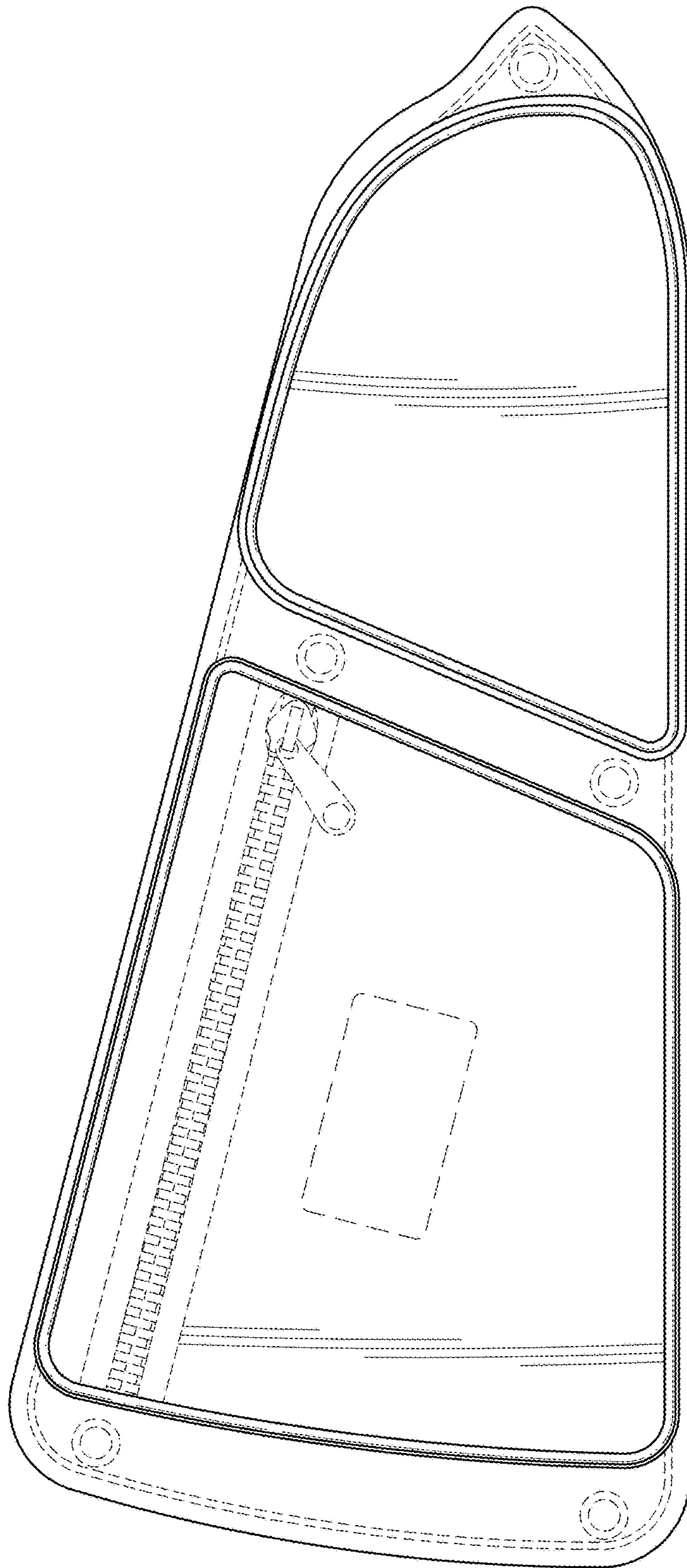


FIG. 9

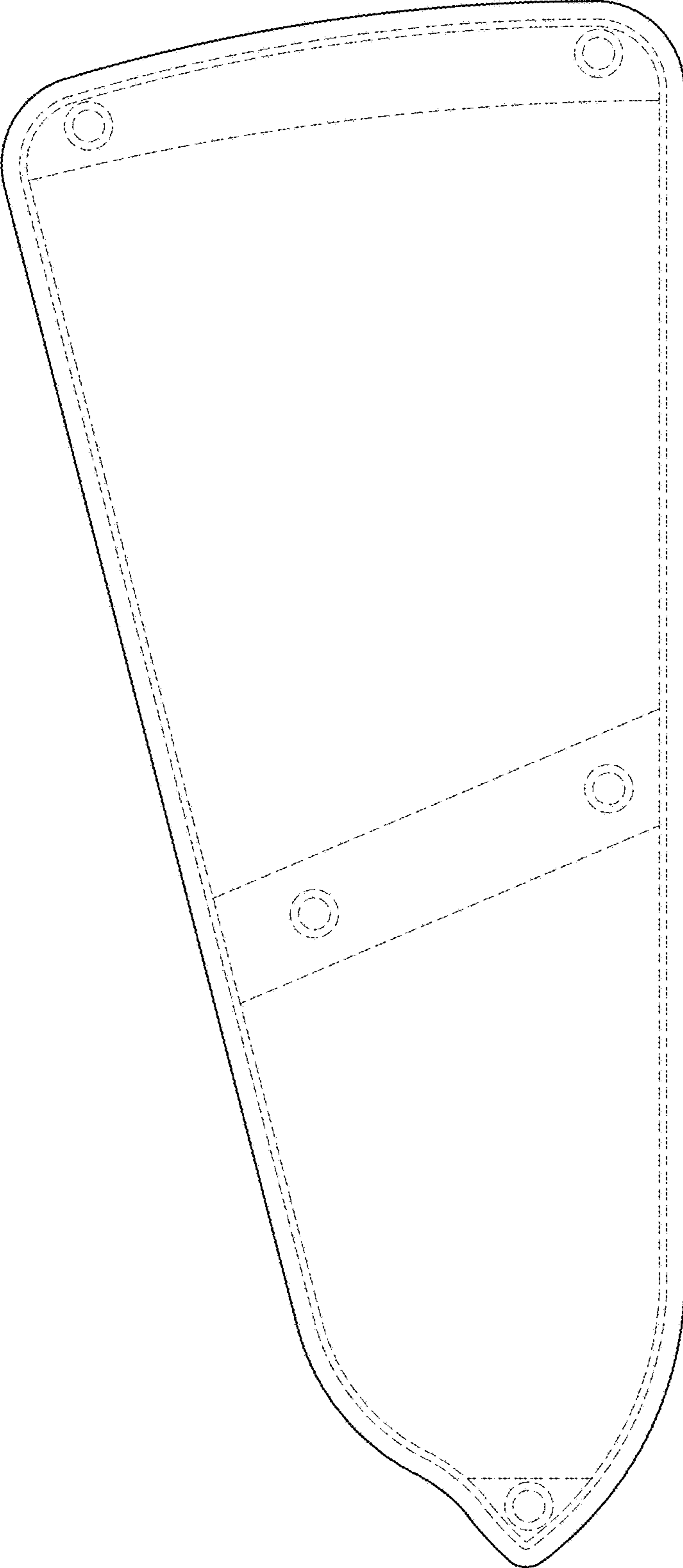


FIG. 10

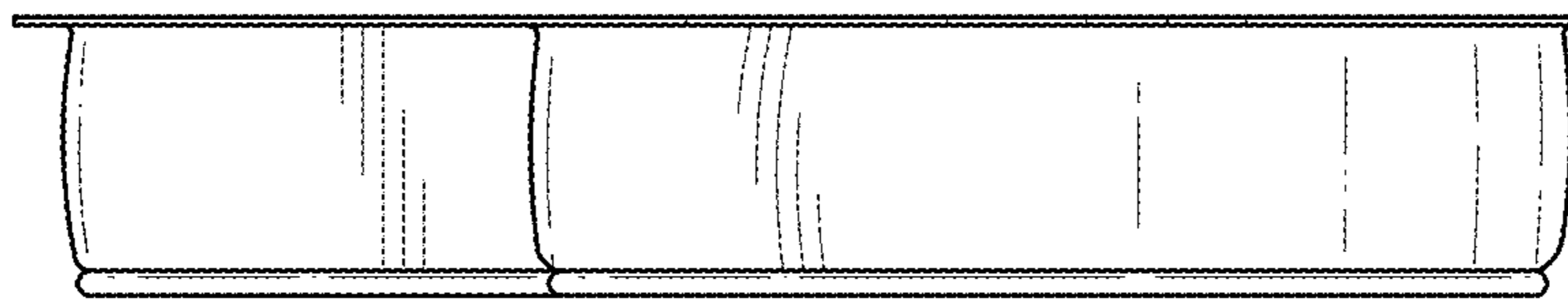


FIG. 11



FIG. 12

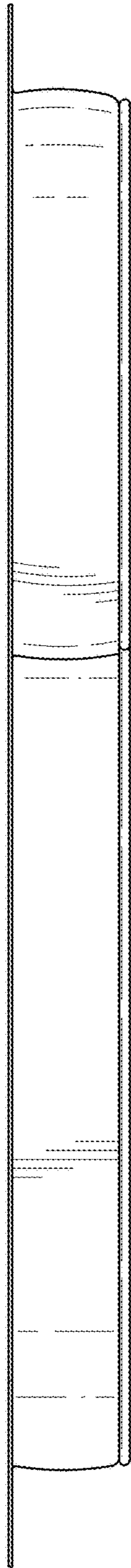


FIG. 13

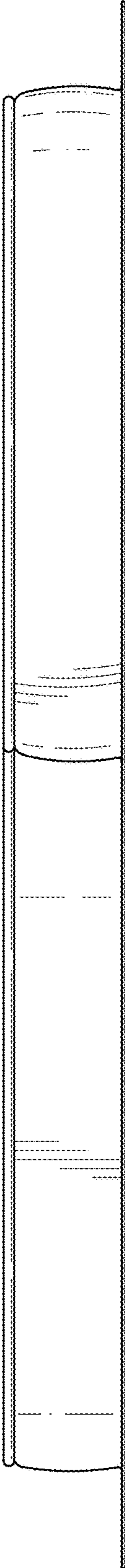


FIG. 14