



US00D774431S

(12) **United States Design Patent** (10) **Patent No.:** **US D774,431 S**
Alesi (45) **Date of Patent:** **** Dec. 20, 2016**

(54) **LICENSE PLATE FRAME**

- (71) Applicant: **Custom Accessories, Inc.**, Richmond, IL (US)
- (72) Inventor: **Vincent Alesi**, Kildeer, IL (US)
- (73) Assignee: **CUSTOM ACCESSORIES, INC.**, Richmond, IL (US)
- (**) Term: **15 Years**
- (21) Appl. No.: **29/529,312**
- (22) Filed: **Jun. 5, 2015**
- (51) **LOC (10) Cl.** **12-16**
- (52) **U.S. Cl.**
USPC **D12/193**
- (58) **Field of Classification Search**
USPC 40/606.18, 204, 209; D6/300, 302;
D14/450; D12/193
CPC G09F 7/18; F16M 13/02; B60R 13/105
See application file for complete search history.

(56) **References Cited**

U.S. PATENT DOCUMENTS

993,984	A *	5/1911	Hand et al.	G09F 7/18 40/606.18
D41,762	S *	9/1911	Foster	D6/300
D275,251	S *	8/1984	Buchanan	D6/300
D393,636	S *	4/1998	Jones	D14/450
D524,555	S *	7/2006	Mohundro	D6/300
RE40,560	E *	11/2008	Capella	D6/300
D587,019	S *	2/2009	Seckinger	D6/302
D684,513	S	6/2013	Spencer et al.	
D712,326	S	9/2014	Spencer et al.	
2012/0050137	A1 *	3/2012	Hellenthal	F16M 13/02 345/1.3
2012/0279099	A1 *	11/2012	Kuo	B60R 13/105 40/209
2014/0331530	A1 *	11/2014	Masanek, Jr.	B60R 13/105 40/209
2015/0266434	A1 *	9/2015	Gloodt	B60R 13/105 40/204

OTHER PUBLICATIONS

“Custom Accessories—License Plate Frame” Aug. 21, 2009, O’Reilly Auto Parts, site visited Sep. 5, 2016 <<http://www.oreillyauto.com/site/c/detail/CA00/92856/N0305.oap?pt=N0305&ppt=C0155>>.*

“Custom Frames Hot Rodder Chrome License Plate Frame” Sep. 13, 2016, Custom Accessories, site visited Sep. 13, 2016 <<https://shop.causa.com/product/2052/custom-frames-hot-rodder-chrome-license-plate-frame>>.*

* cited by examiner

Primary Examiner — Kevin Rudzinski

Assistant Examiner — Paul Bohannon

(74) *Attorney, Agent, or Firm* — Patzik, Frank & Samotny Ltd.

(57) **CLAIM**

The ornamental design for a license plate frame, as shown and described.

DESCRIPTION

FIG. 1 is a front perspective view of the license plate frame of the present invention;

FIG. 2 is a front elevation view of the license plate frame of the present invention;

FIG. 3 is a left side view of the license plate frame of the present invention;

FIG. 4 is a right side view of the license plate frame of the present invention;

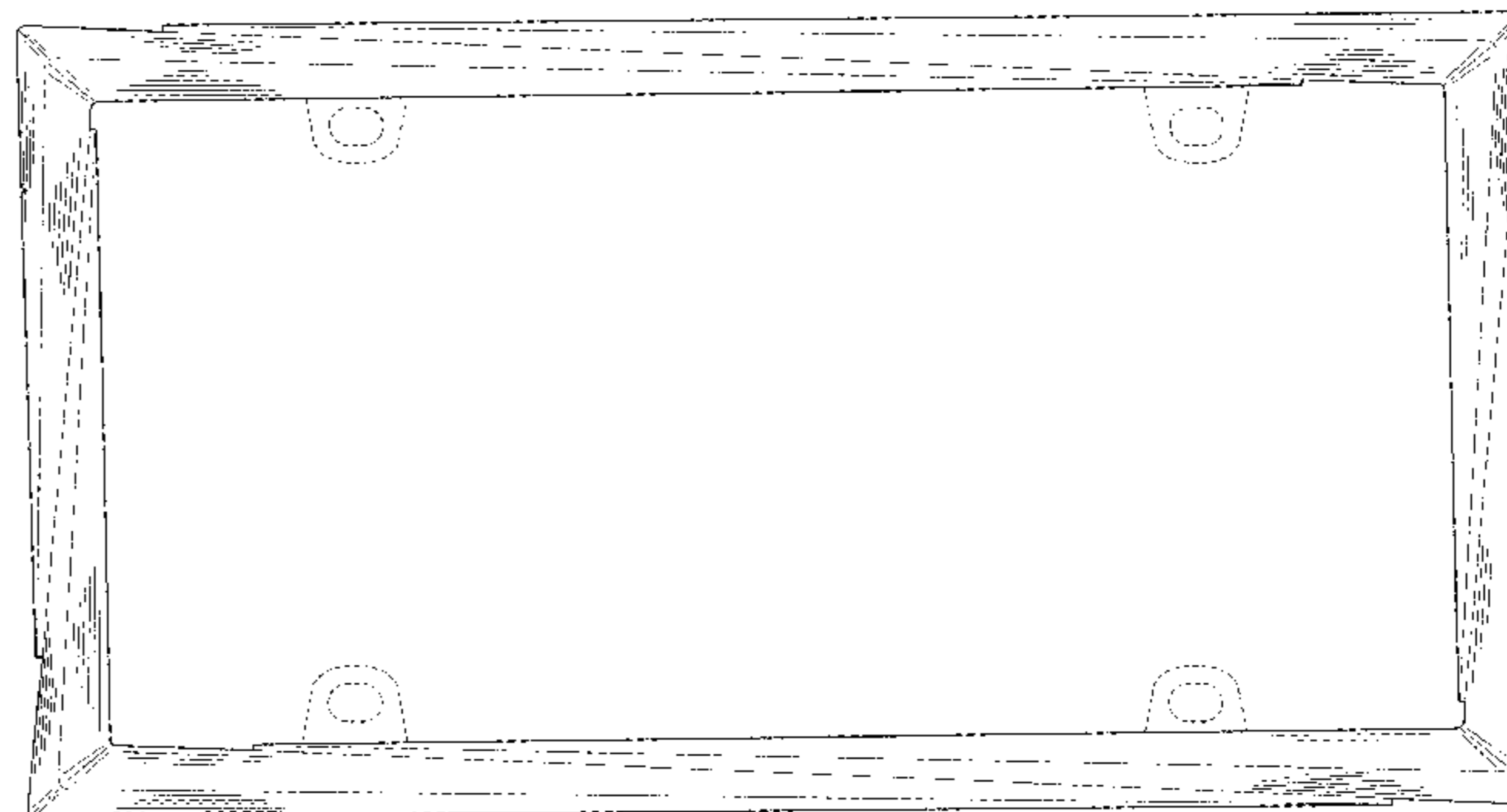
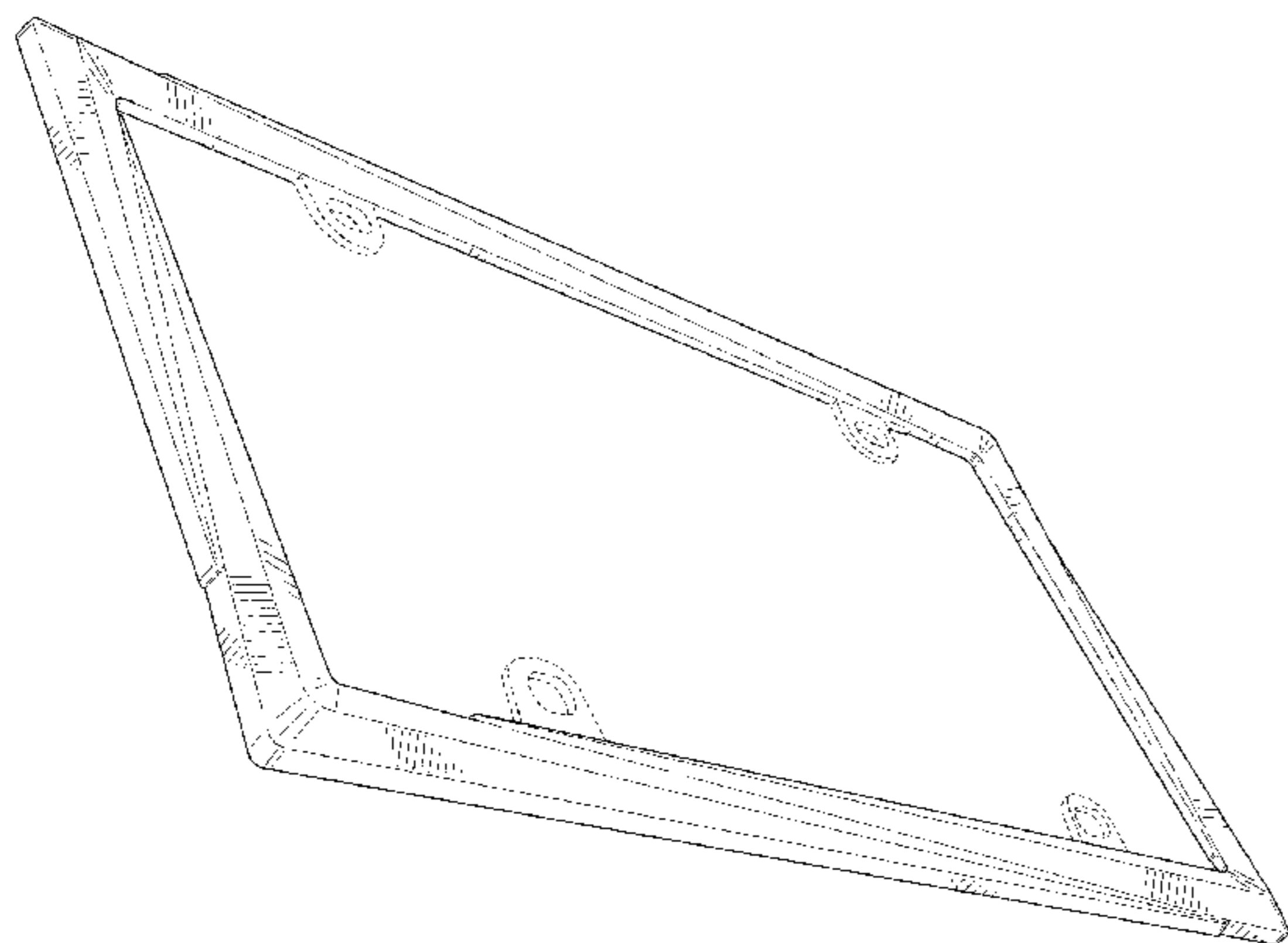
FIG. 5 is a top plan view of the license plate frame of the present invention; and,

FIG. 6 is a bottom plan view of the license plate frame of the present invention.

The rear view is not part of the claimed design.

The portions of the license plate frame shown in broken lines form no part of the claimed design.

1 Claim, 4 Drawing Sheets



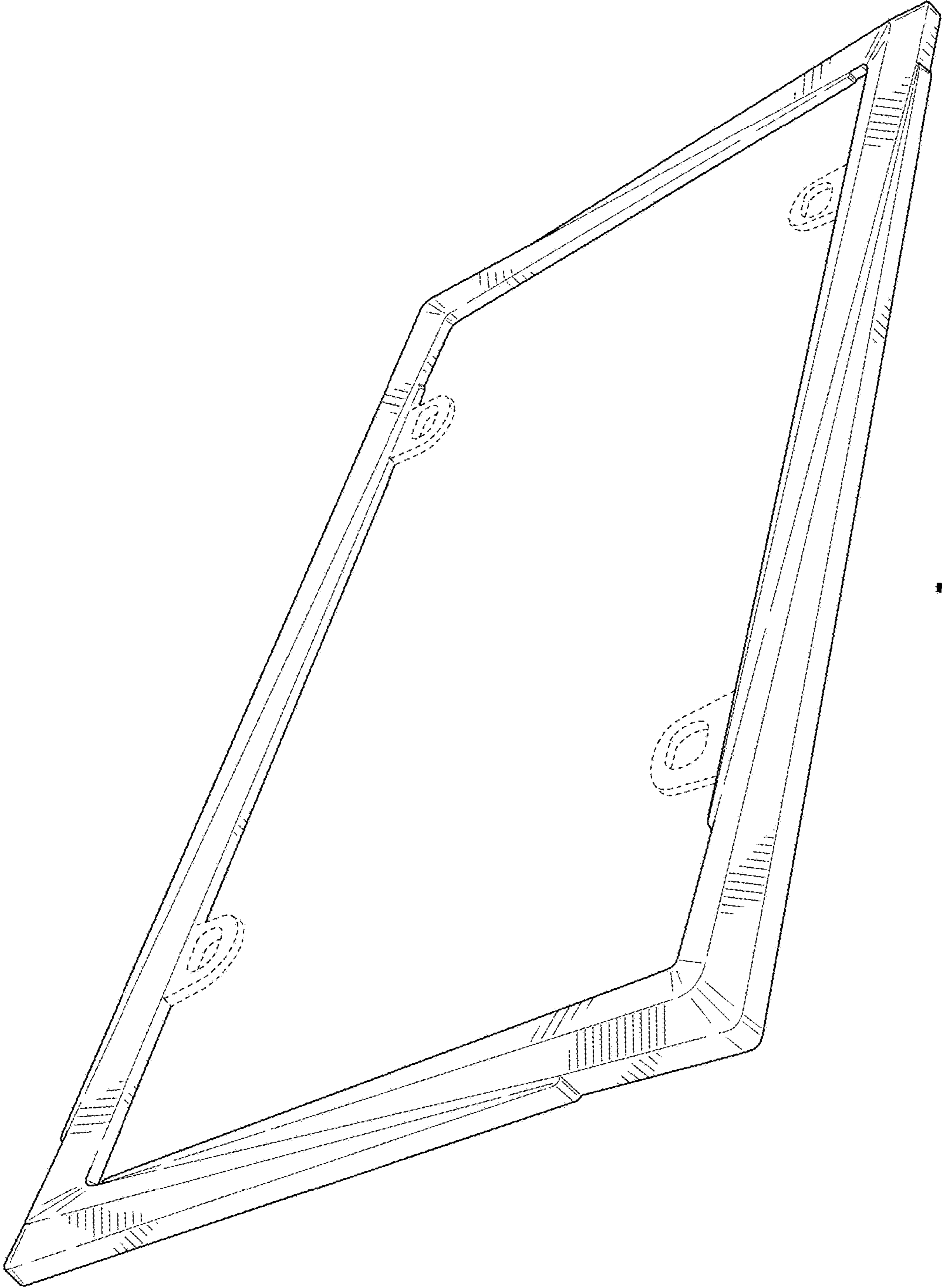


FIG. 1

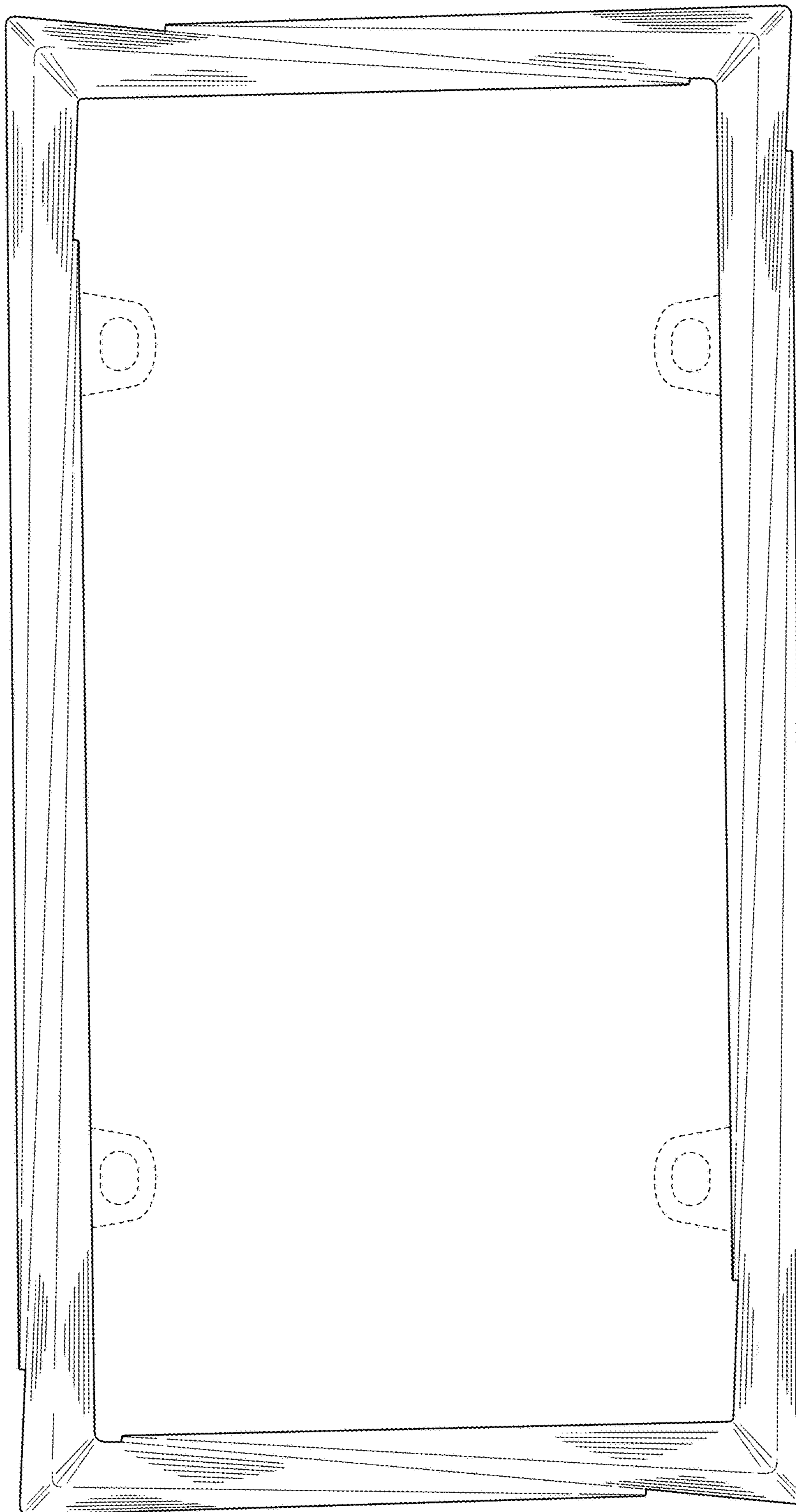


FIG. 2

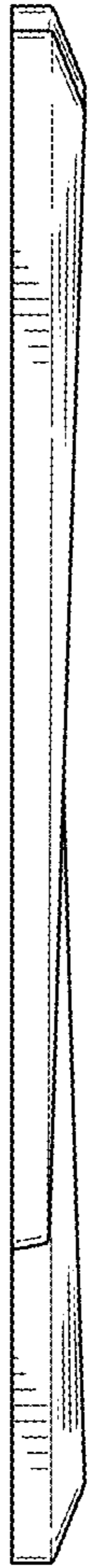


FIG. 3

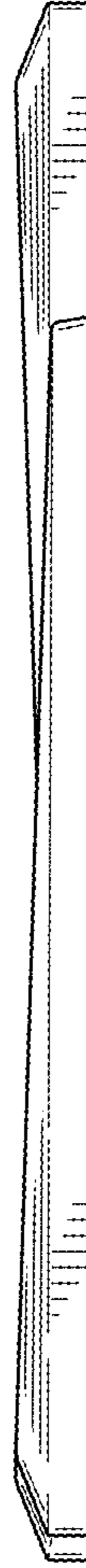


FIG. 4

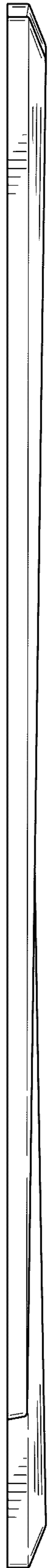


FIG. 5

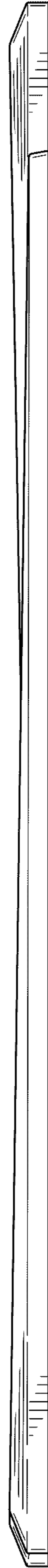


FIG. 6