



US00D774424S

(12) **United States Design Patent** (10) **Patent No.:** **US D774,424 S**  
**Angel** (45) **Date of Patent:** **\*\* Dec. 20, 2016**

(54) **HITCH SHANK**  
(71) Applicant: **Camco Manufacturing, Inc.**,  
Greensboro, NC (US)  
(72) Inventor: **Bruce A. Angel**, Stokesdale, NC (US)  
(73) Assignee: **Camco Manufacturing, Inc.**,  
Greensboro, NC (US)

7,862,066 B2 \* 1/2011 Smith ..... B60D 1/07  
280/416.1  
8,366,133 B2 \* 2/2013 Brinkley ..... B60D 1/06  
280/415.1  
D709,804 S \* 7/2014 Provost ..... D12/162  
D729,703 S \* 5/2015 Song ..... D12/162  
D734,221 S \* 7/2015 Vargas ..... D12/162  
D747,239 S \* 1/2016 Wyers ..... D12/162

(Continued)

(\*\*) Term: **15 Years**  
(21) Appl. No.: **29/544,962**  
(22) Filed: **Nov. 9, 2015**

**OTHER PUBLICATIONS**

Five (5) page printout from amazon.com showing a “Husky Center Line Forged Shank”, which as seen on p. 2 has been available since Mar. 8, 2013; copyright 1996-2014 Amazon.com, Inc. or its affiliates.

*Primary Examiner* — Katrina A Betton  
(74) *Attorney, Agent, or Firm* — Blake P. Hurt; Tuggle Duggins P.A.

**Related U.S. Application Data**

(63) Continuation of application No. 14/467,370, filed on Aug. 25, 2014, now Pat. No. 9,193,234.  
(51) **LOC (10) Cl.** ..... **12-16**  
(52) **U.S. Cl.**  
USPC ..... **D12/162**  
(58) **Field of Classification Search**  
USPC ..... D12/162, 159, 160, 161  
CPC ..... B60D 1/60; B60D 1/065; B60D 1/00;  
B60D 1/06  
See application file for complete search history.

(57) **CLAIM**

The ornamental design for a hitch shank, as shown and described.

**DESCRIPTION**

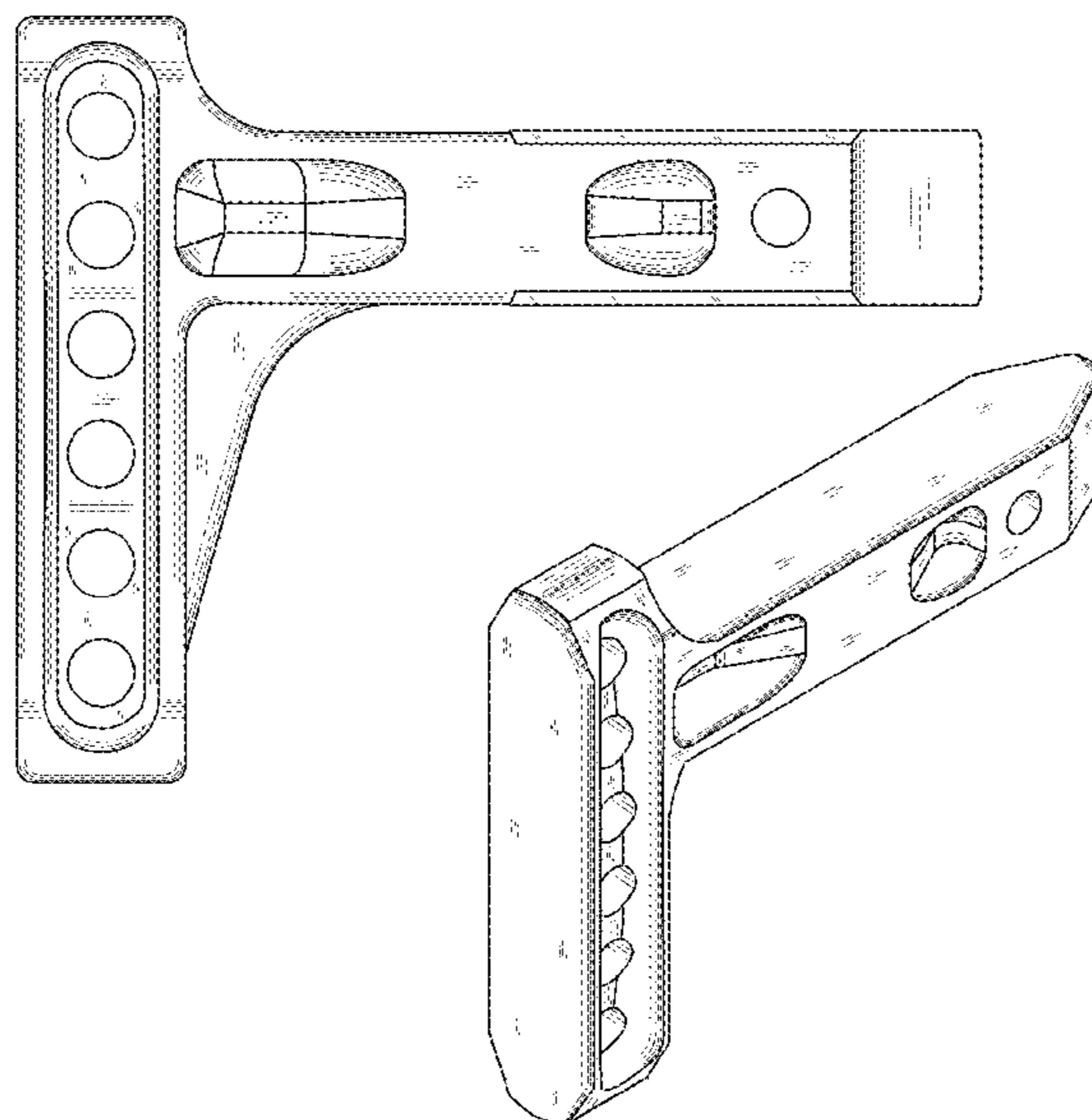
FIG. 1 is a top, rear, right side perspective view of a hitch shank showing my new design;  
FIG. 2 is a right side elevational view thereof, the left side elevational view being a mirror image thereof;  
FIG. 3 is a top plan view thereof;  
FIG. 4 is a bottom plan view thereof;  
FIG. 5 is a rear elevational view thereof;  
FIG. 6 is a front elevational view thereof;  
FIG. 7 is a bottom, rear, left side perspective view thereof;  
FIG. 8 is a top, rear, right side perspective view of an alternate hitch shank; and,  
FIG. 9 is a bottom, rear, left side perspective view of the embodiment in FIG. 8.

(56) **References Cited**

**U.S. PATENT DOCUMENTS**

D269,175 S \* 5/1983 Perry ..... D12/162  
5,873,594 A 2/1999 McCoy et al.  
6,010,142 A 1/2000 McCoy et al.  
6,341,795 B1 1/2002 Zerkel  
D475,327 S 6/2003 McCoy et al.  
6,726,237 B1 4/2004 Carrico  
7,029,022 B2 \* 4/2006 Moss ..... B60D 1/06  
280/416.1  
7,055,845 B1 6/2006 Putnam

**1 Claim, 7 Drawing Sheets**



(56)

**References Cited**

U.S. PATENT DOCUMENTS

D749,994 S \* 2/2016 Verboeket ..... D12/162  
2010/0127479 A1 5/2010 Weipert et al.  
2012/0112433 A1 5/2012 Williams, Jr. et al.  
2013/0020784 A1 1/2013 Weipert et al.

\* cited by examiner

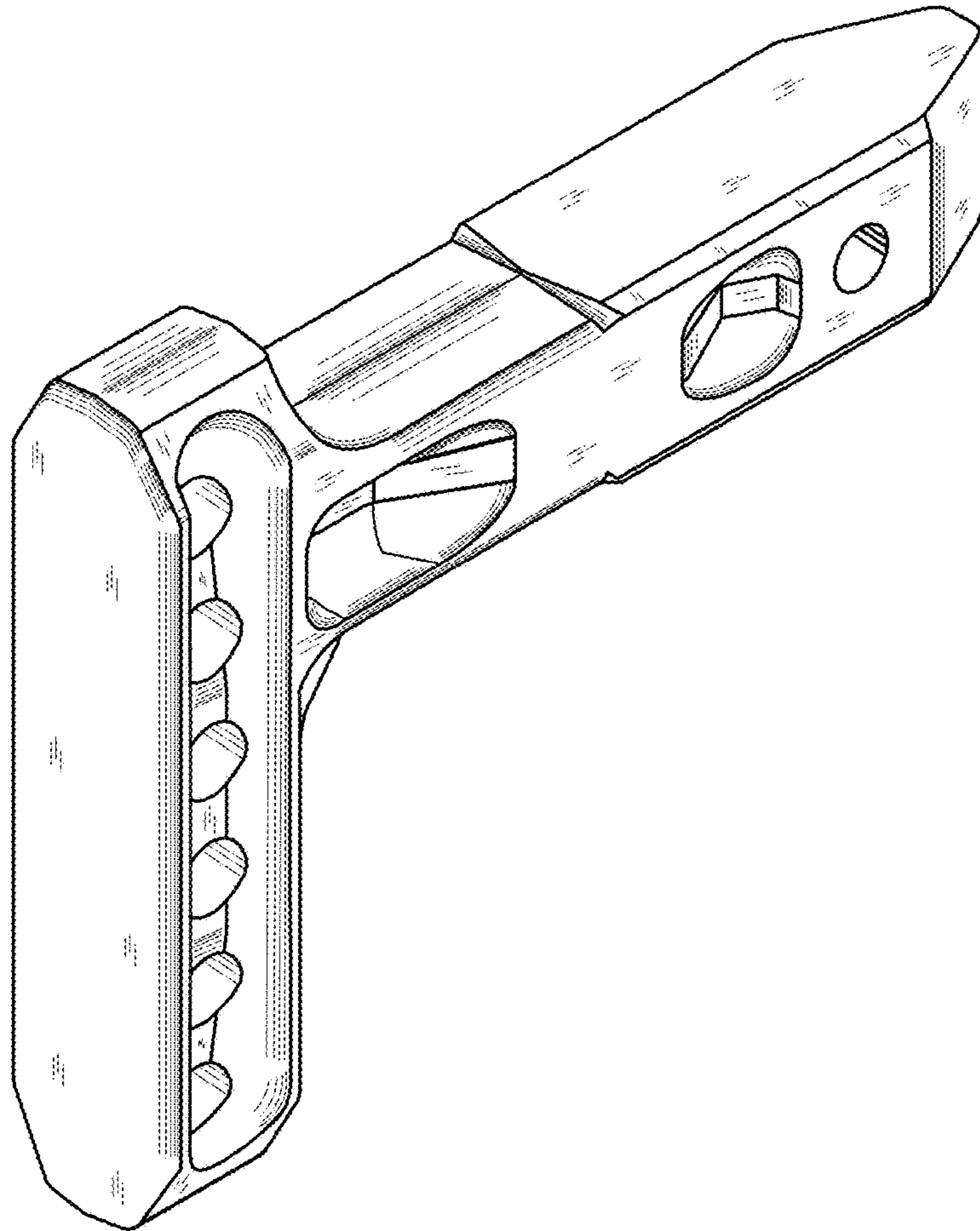


Fig. 1

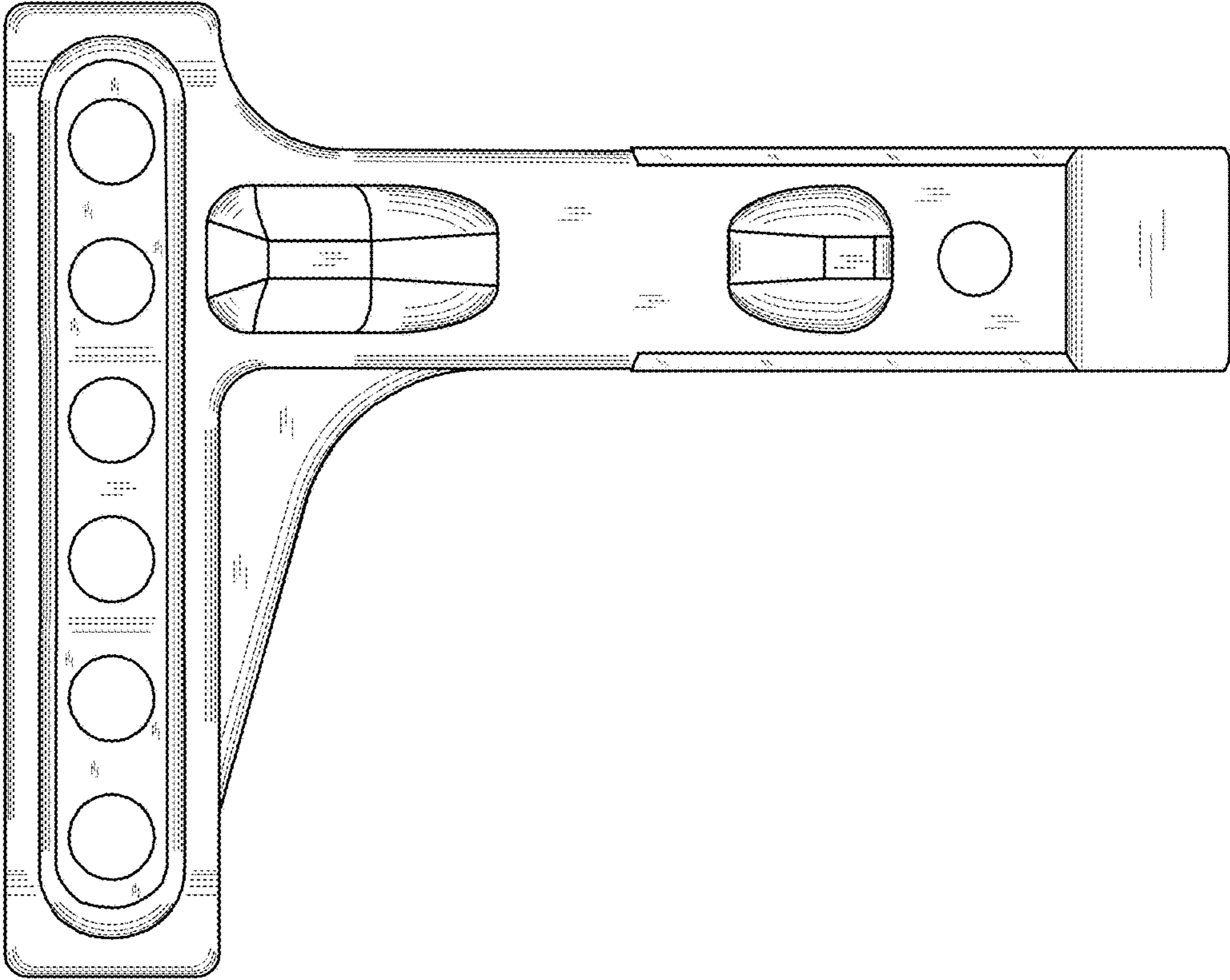


Fig. 2

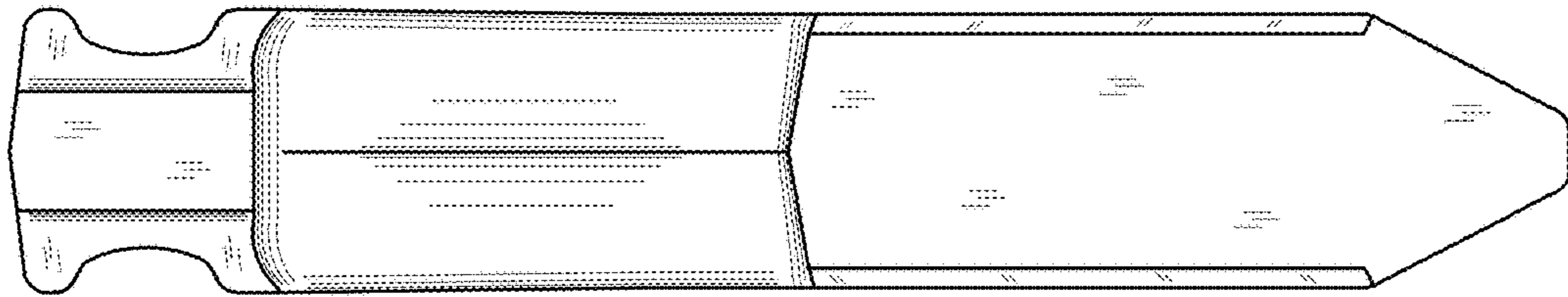


Fig. 3

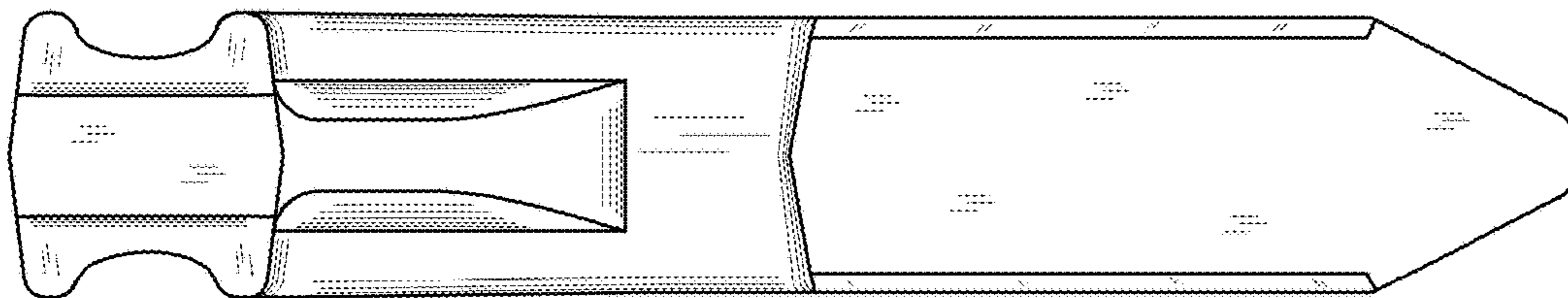


Fig. 4

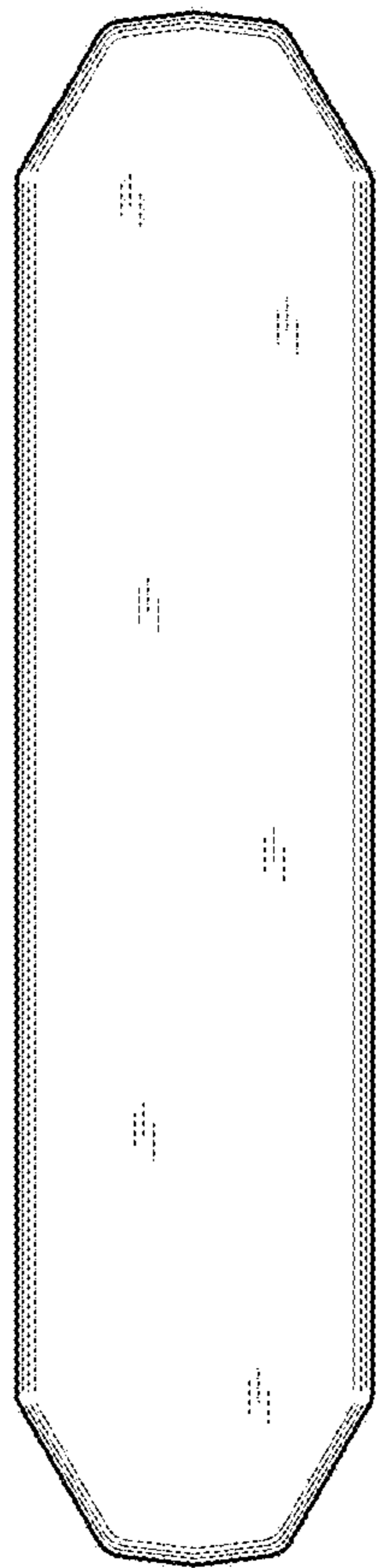


Fig. 5

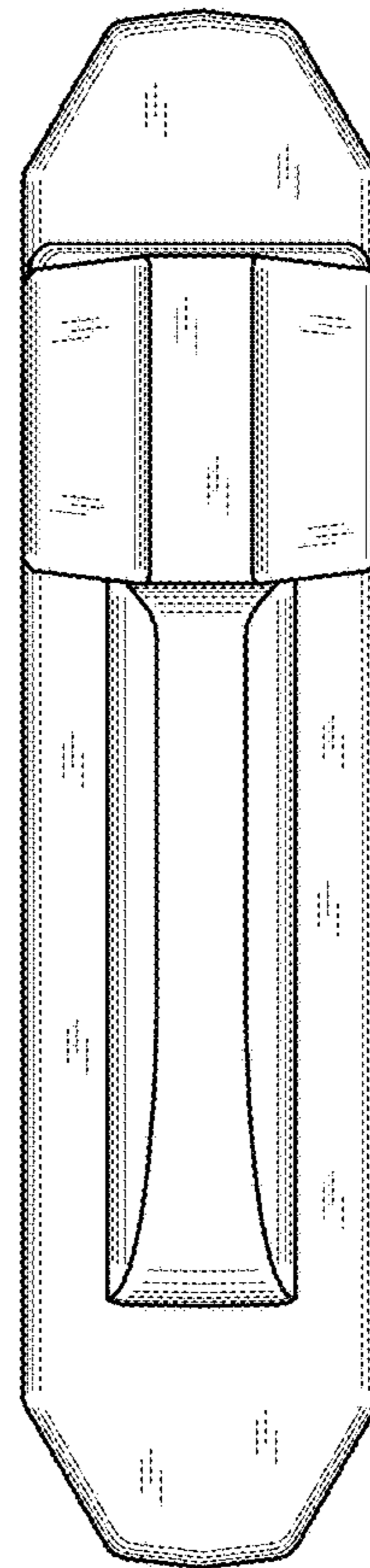


Fig. 6

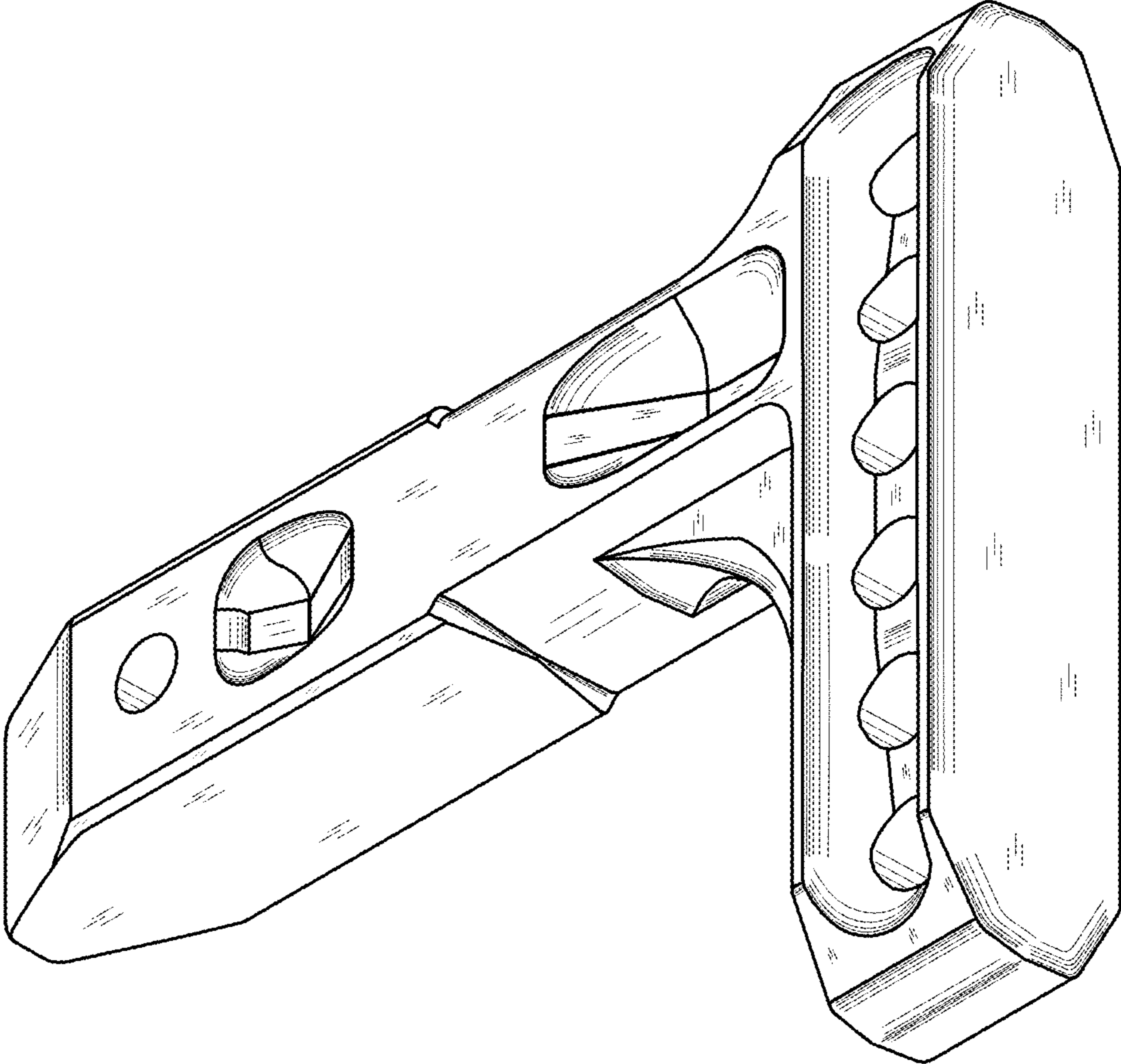


Fig. 7

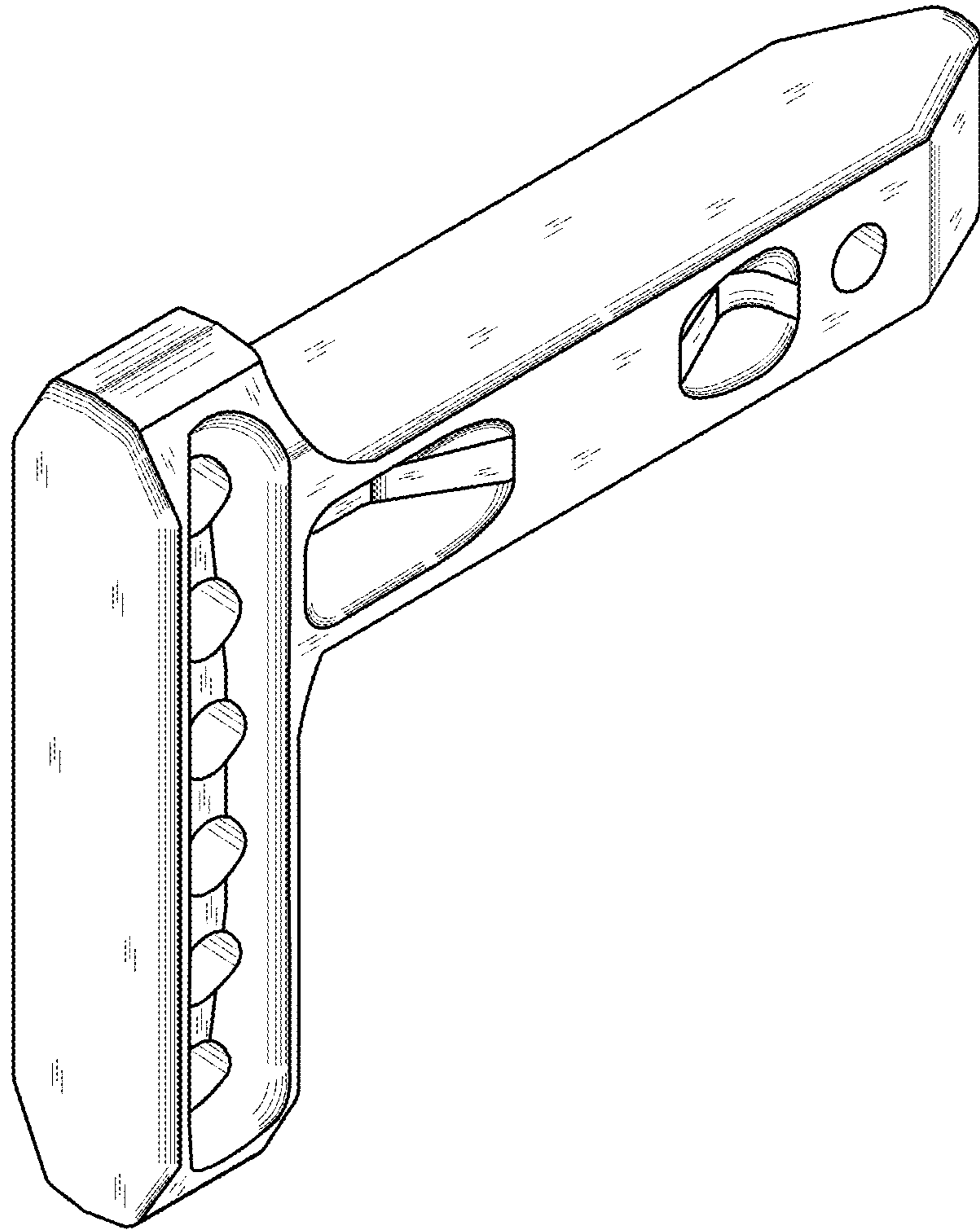


Fig. 8



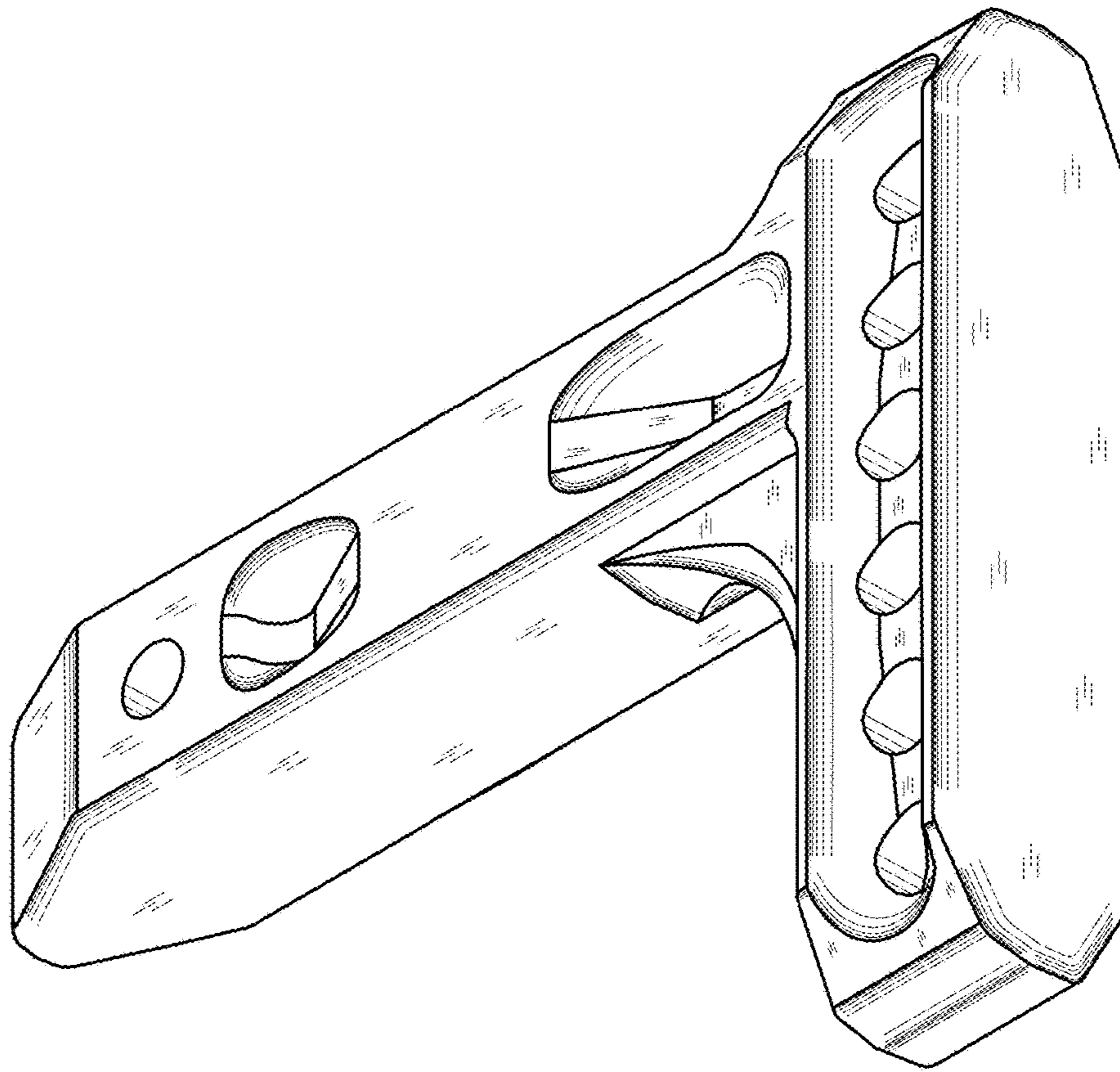


Fig. 9