



US00D774423S

(12) **United States Design Patent**
Greenblatt

(10) **Patent No.:** **US D774,423 S**

(45) **Date of Patent:** **** Dec. 20, 2016**

(54) **BICYCLE RACK**

D604,207 S * 11/2009 Selzer D12/115
D689,410 S * 9/2013 Nadel D12/115
D735,091 S * 7/2015 Slaughenhaupt D12/115

(71) Applicant: **Everlast Climbing Industries, Inc.**,
Mendota Heights, MN (US)

* cited by examiner

(72) Inventor: **Joel Greenblatt**, Wauwatosa, WI (US)

Primary Examiner — George D Kirschbaum

(73) Assignee: **EVERLAST CLIMBING INDUSTRIES, INC.**, Mendota Heights, MN (US)

Assistant Examiner — Clese Moore, Jr.

(74) *Attorney, Agent, or Firm* — McAndrews, Held & Malloy, Ltd.

(**) Term: **14 Years**

(57) **CLAIM**

(21) Appl. No.: **29/521,358**

The ornamental design for a bicycle rack, as shown and described.

(22) Filed: **Mar. 23, 2015**

(51) **LOC (10) Cl.** **12-11**

(52) **U.S. Cl.**
USPC **D12/115**

(58) **Field of Classification Search**
USPC D12/115, 120, 402, 406, 407
CPC B62H 3/00; B62H 3/04; B62H 3/08;
B62H 3/10; B60R 9/06; B60R 9/10
See application file for complete search history.

DESCRIPTION

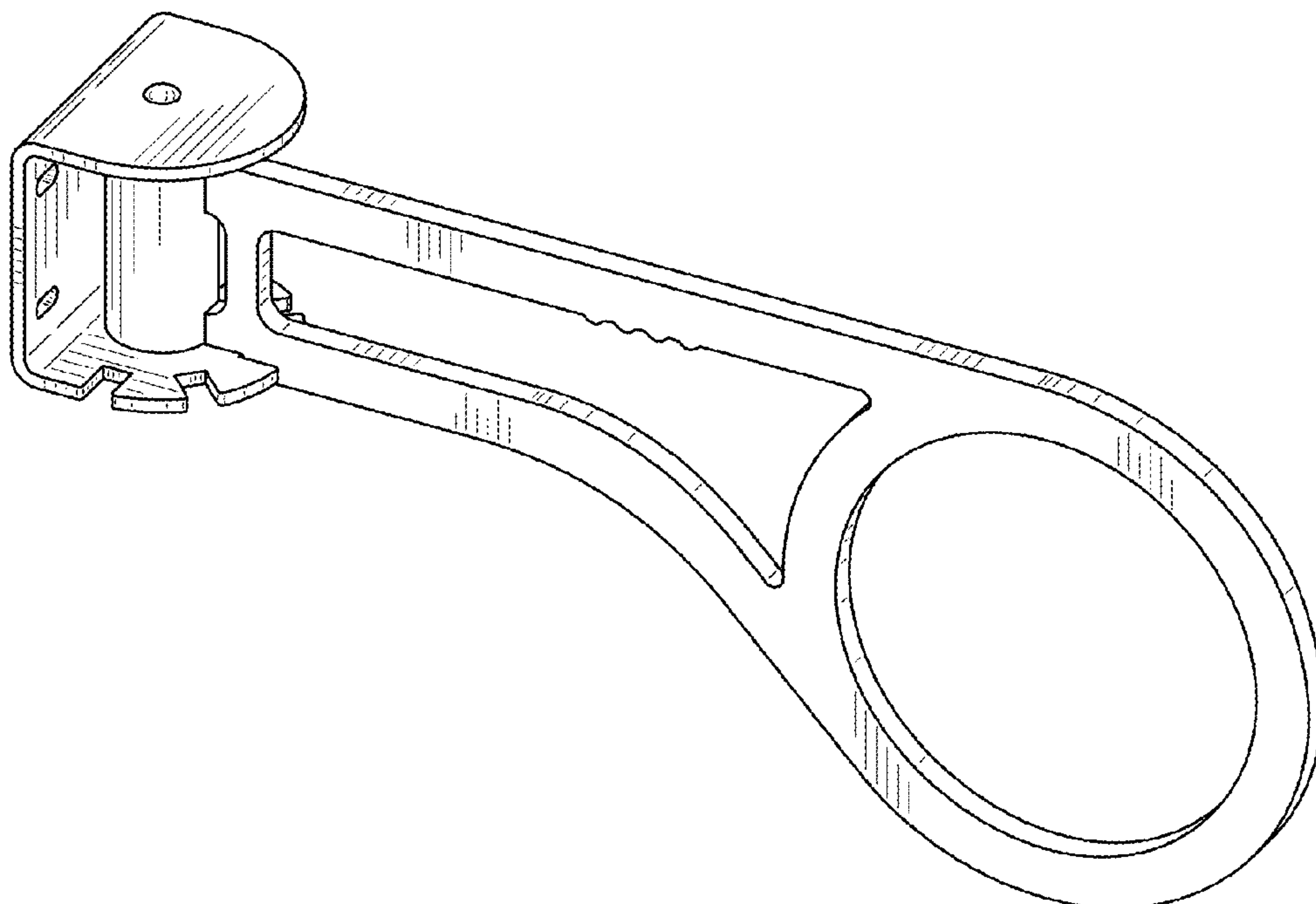
FIG. 1 is top, front, left side perspective view of a bicycle rack showing my new design in a first position;
FIG. 2 is a left side elevational view thereof;
FIG. 3 is a right side elevational view thereof;
FIG. 4 is a front elevational view thereof;
FIG. 5 is a rear elevational view thereof;
FIG. 6 is a top plan view thereof;
FIG. 7 is a bottom plan view thereof;
FIG. 8 is a top, front, left side perspective view showing my new design in a second position;
FIG. 9 is a top, front, left side perspective view showing my new design in a third position; and,
FIG. 10 is a top, front, right side perspective view thereof, including additional unclaimed environmental features.
The broken lines of FIG. 10 form no part of the claimed design.

(56) **References Cited**

U.S. PATENT DOCUMENTS

D401,893 S * 12/1998 Denney D12/115
D408,762 S * 4/1999 Denney D12/115
D449,567 S * 10/2001 Denney D12/115
D477,255 S * 7/2003 Saez D12/115
D502,127 S * 2/2005 Pappas D12/115
D571,581 S * 6/2008 Weimer D6/717
D588,050 S * 3/2009 Levine D12/115
D604,206 S * 11/2009 Selzer D12/115

1 Claim, 6 Drawing Sheets



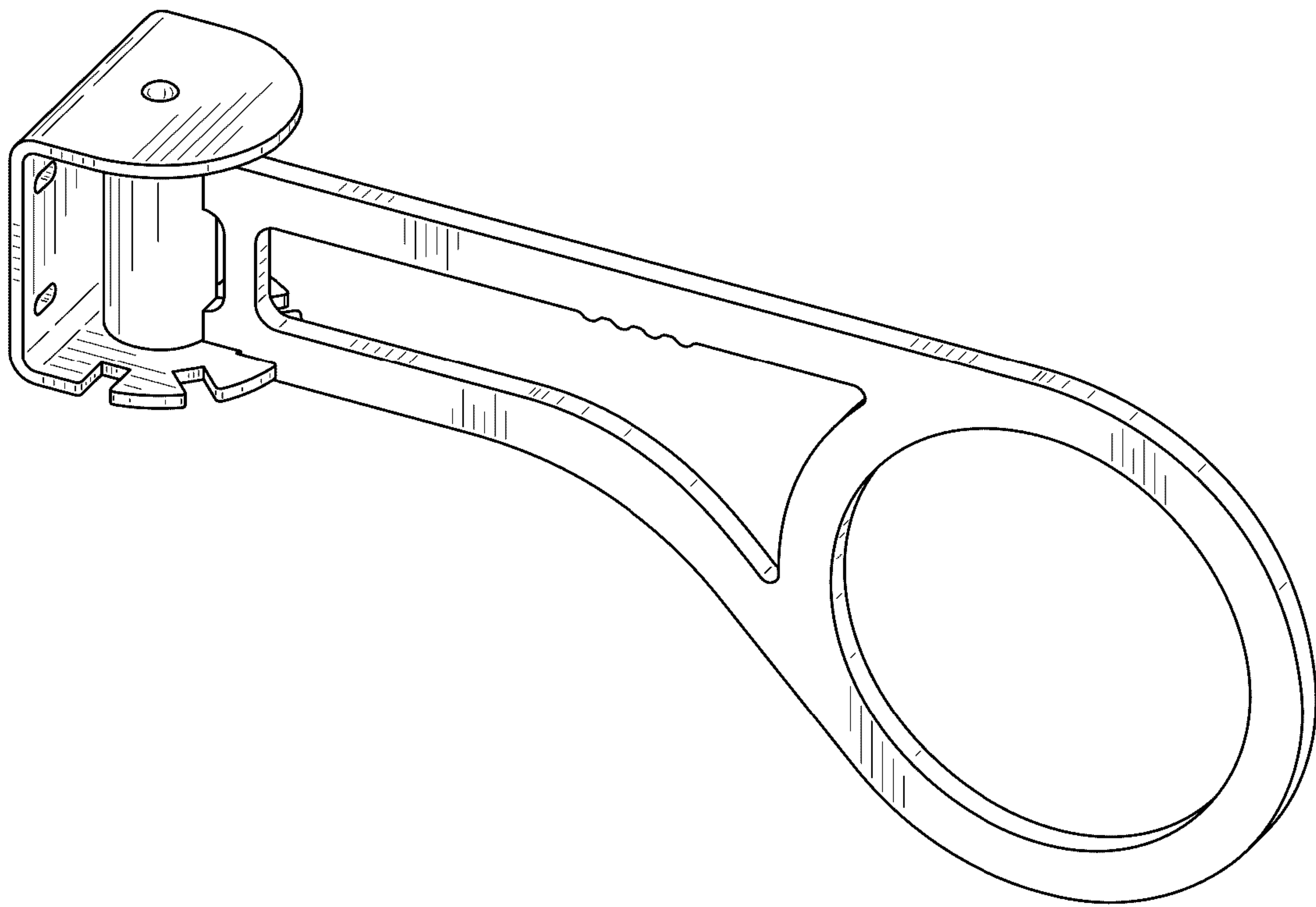


FIG. 1

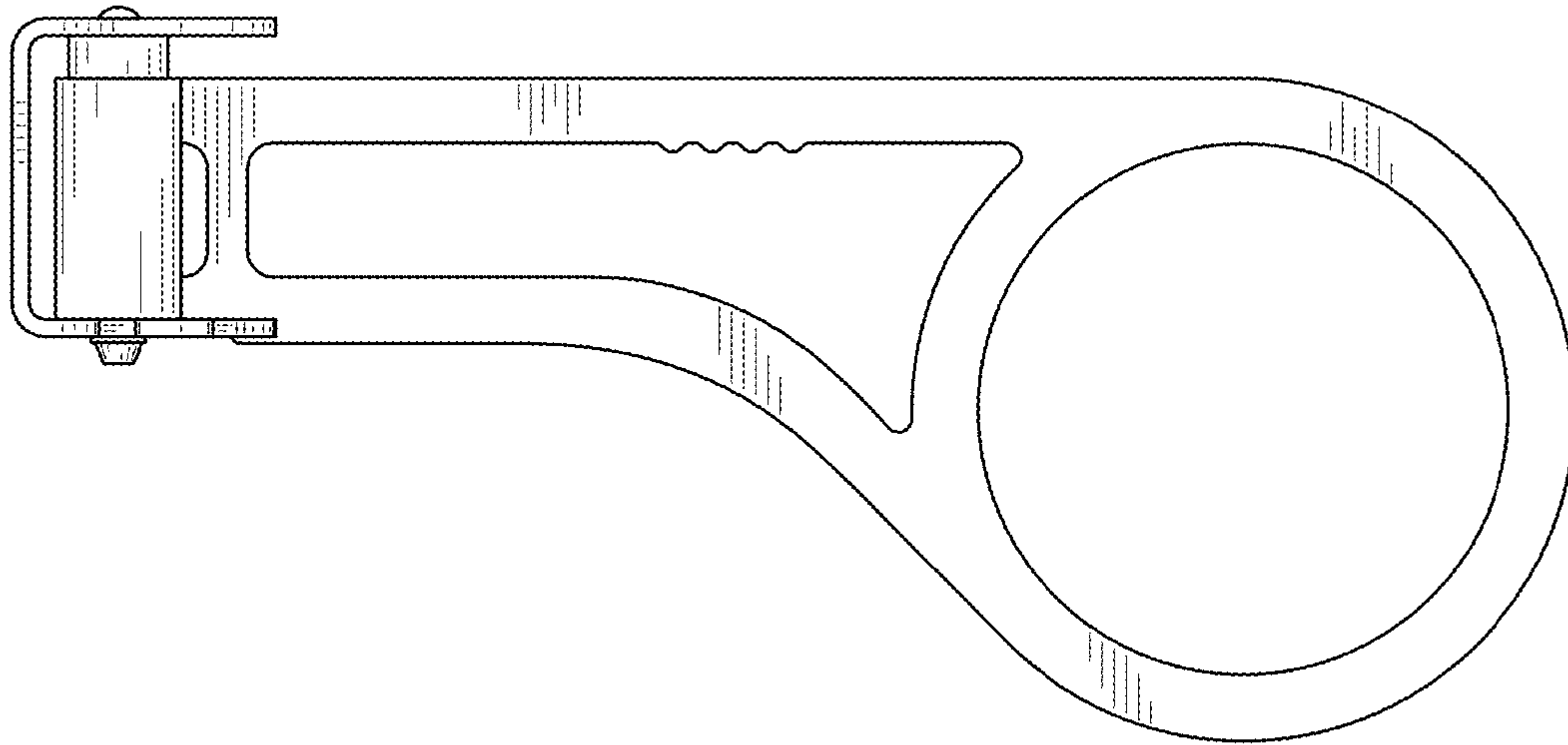


FIG. 2

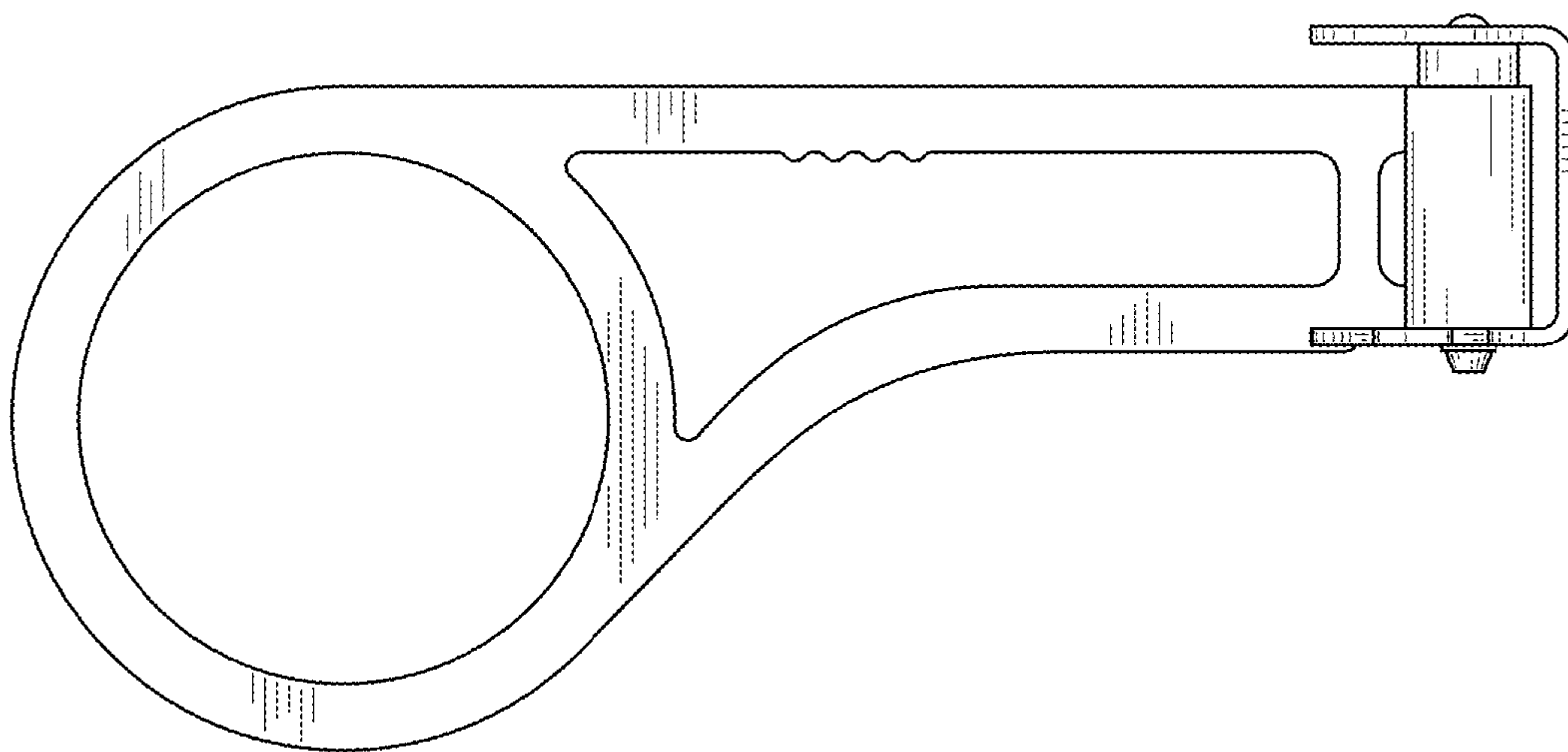


FIG. 3

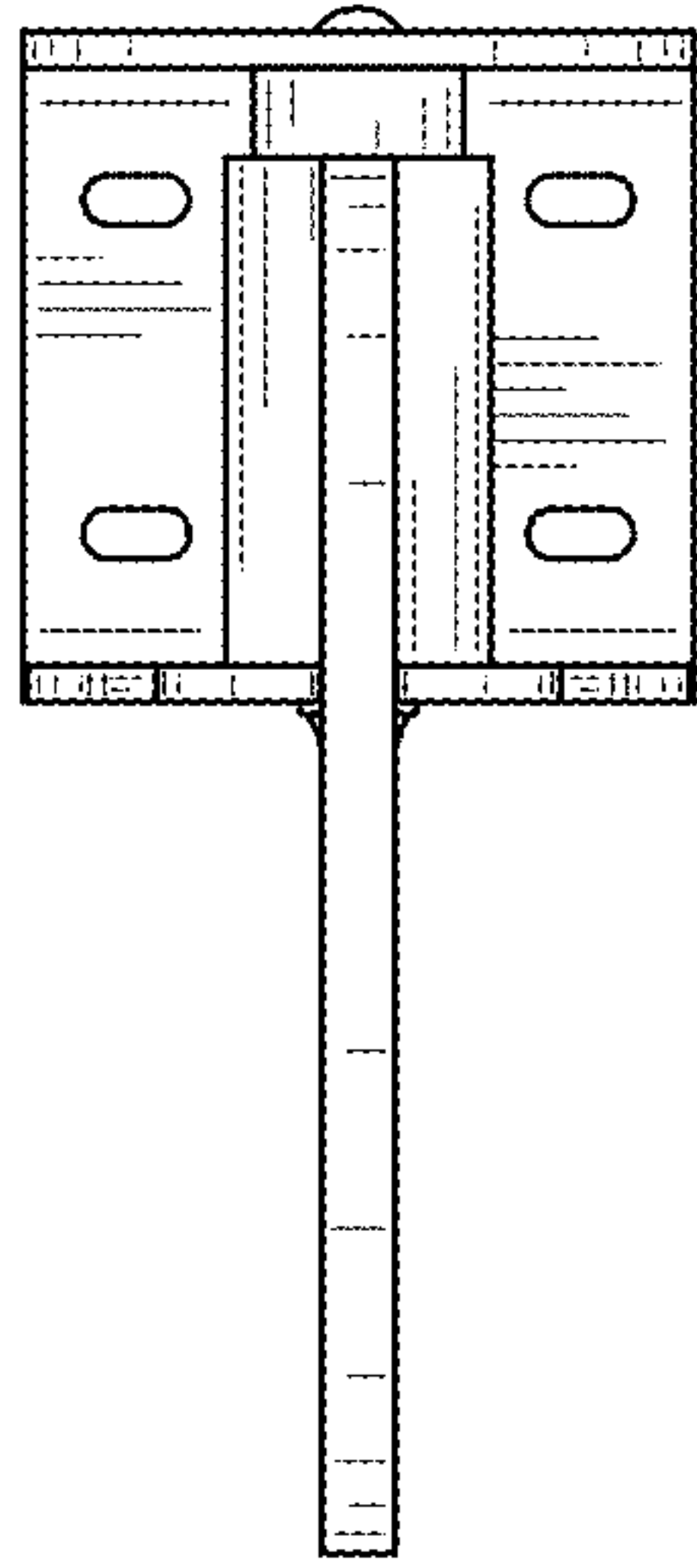


FIG. 4

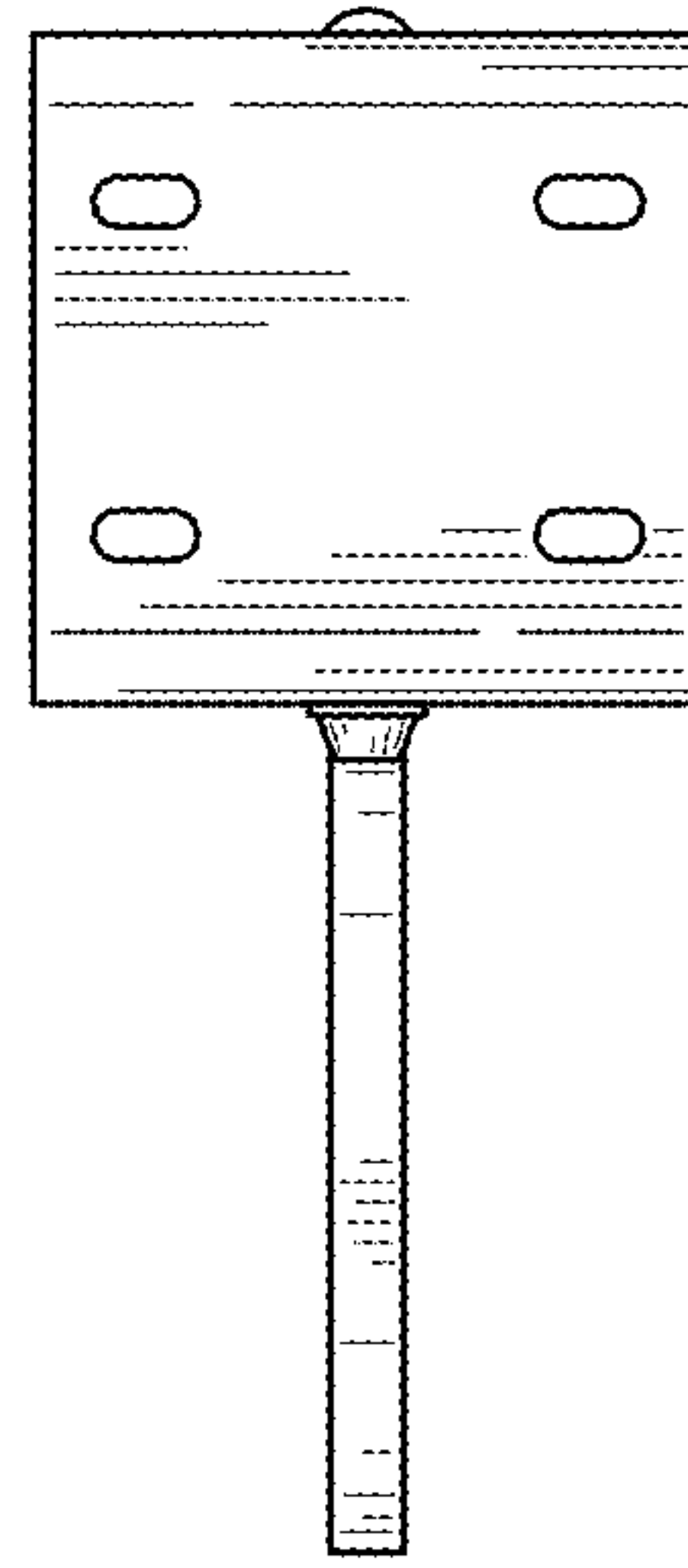


FIG. 5

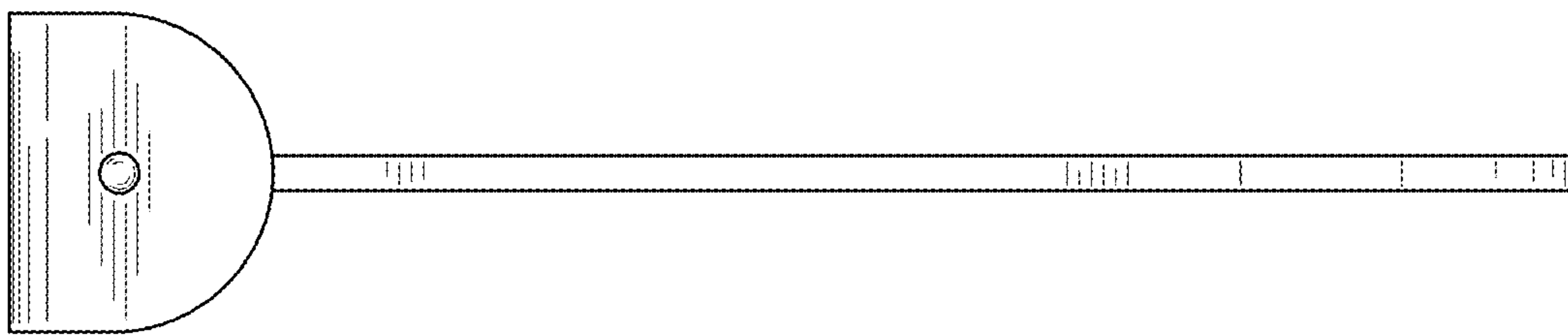


FIG. 6

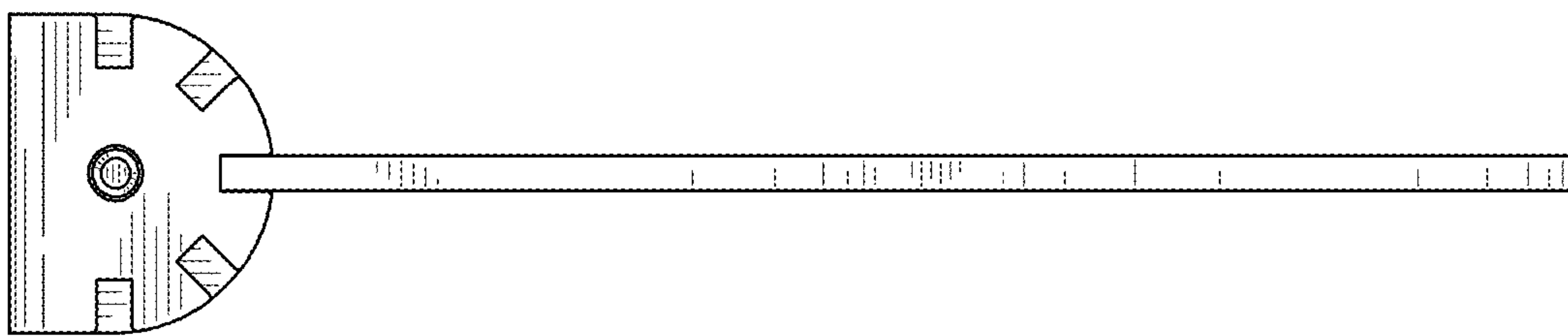


FIG. 7

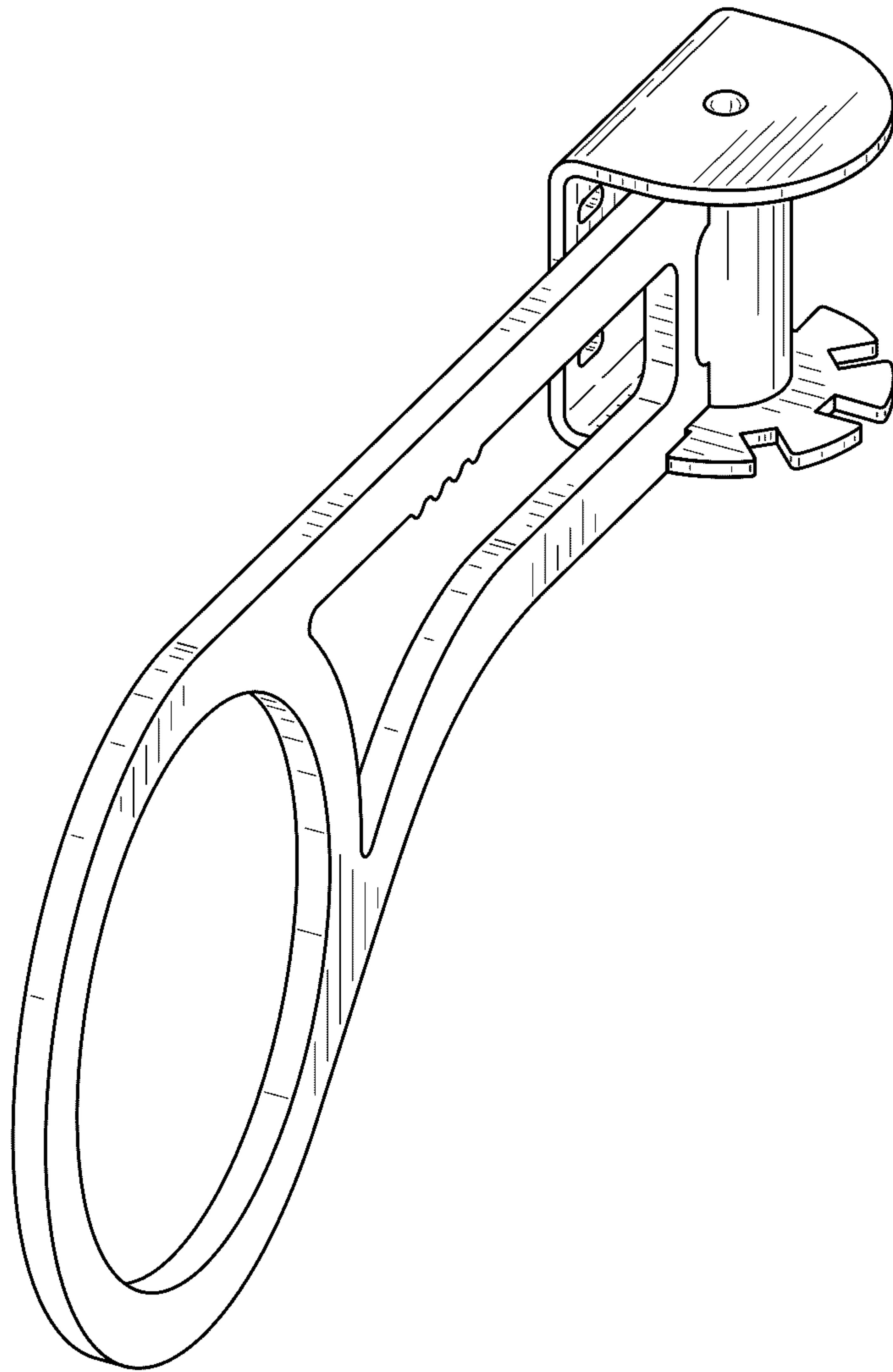


FIG. 8

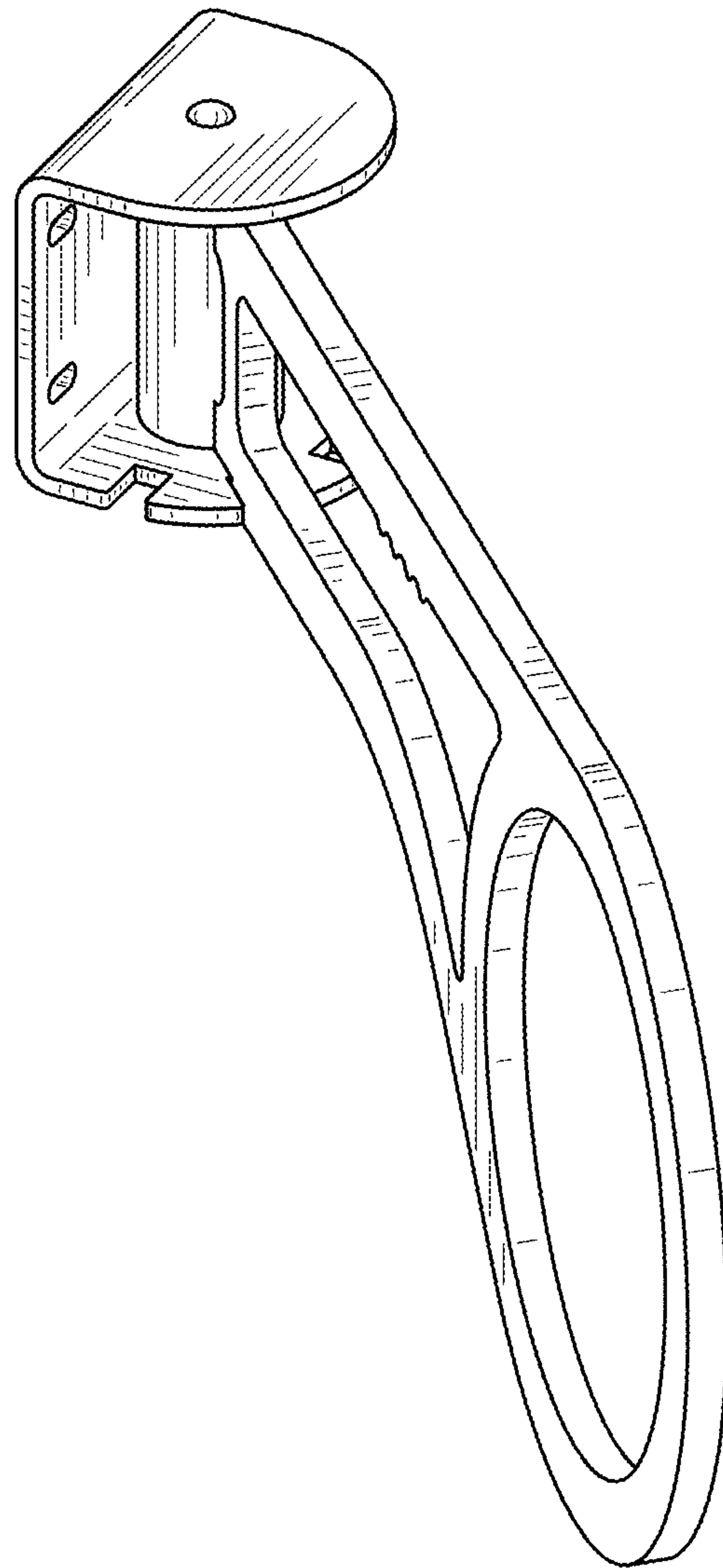


FIG. 9

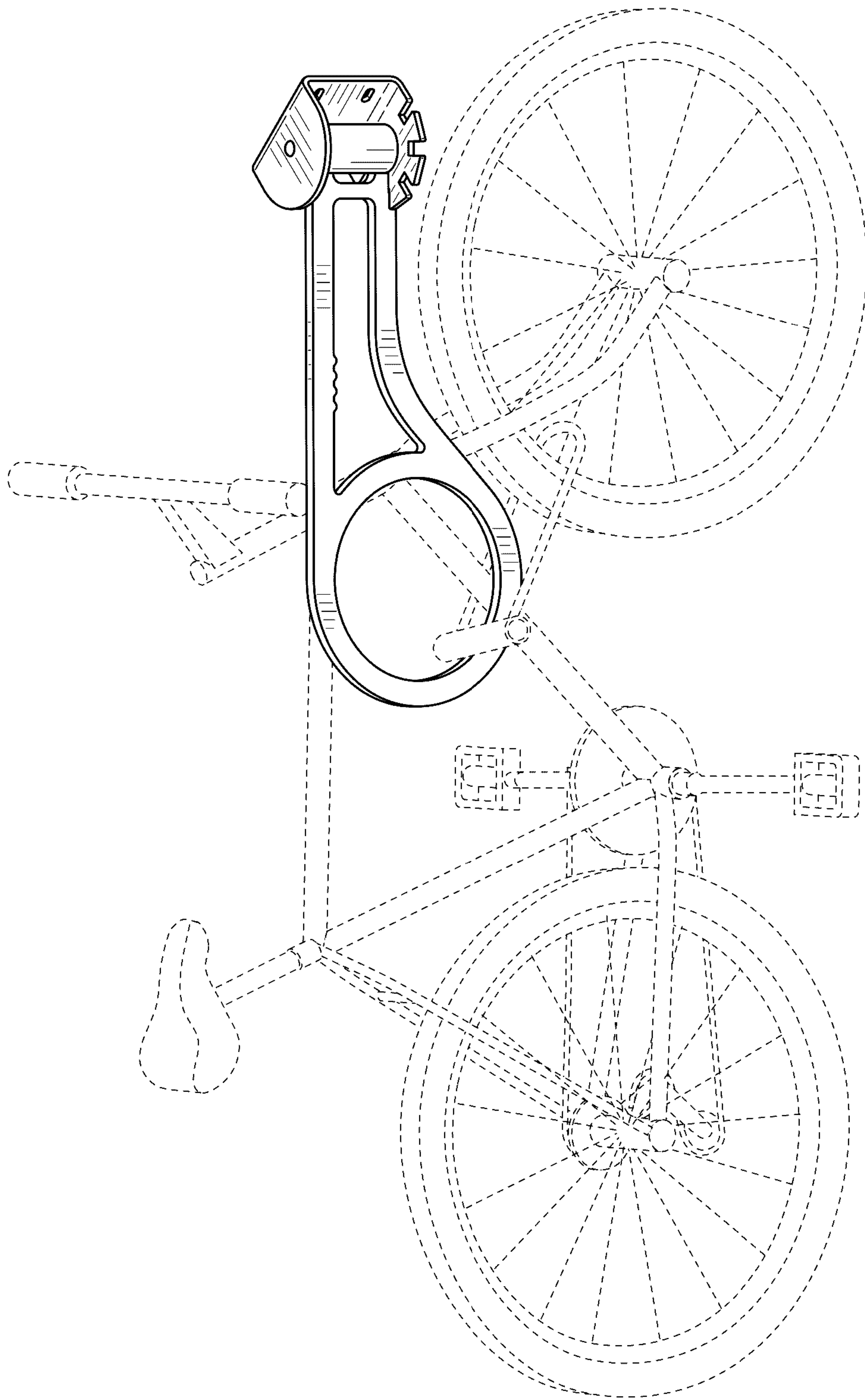


FIG. 10