



US00D774422S

(12) **United States Design Patent** (10) **Patent No.:** **US D774,422 S**  
**Greenblatt et al.** (45) **Date of Patent:** **\*\* Dec. 20, 2016**

- (54) **BICYCLE RACK**
- (71) Applicant: **Everlast Climbing Industries, Inc.**,  
Mendota Heights, MN (US)
- (72) Inventors: **Joel Greenblatt**, Wauwatosa, WI (US);  
**Andrew Patrick Kennedy Lageson**,  
Minneapolis, MN (US)
- (73) Assignee: **EVERLAST CLIMBING**  
**INDUSTRIES, INC.**, Mendota Heights,  
MN (US)
- (\*\*) Term: **14 Years**
- (21) Appl. No.: **29/520,406**
- (22) Filed: **Mar. 13, 2015**
- (51) **LOC (10) Cl.** ..... **12-11**
- (52) **U.S. Cl.**  
USPC ..... **D12/115**
- (58) **Field of Classification Search**  
USPC ..... D12/115, 120, 402, 406, 407  
CPC ..... B62H 3/00; B62H 3/04; B62H 3/08;  
B62H 3/10; B60R 9/06; B60R 9/10  
See application file for complete search history.

- D632,616 S \* 2/2011 Lohr ..... D12/115
- D644,549 S \* 9/2011 Skalka ..... D10/113.2
- D666,537 S 9/2012 Hoadley et al.
- 8,342,339 B2 1/2013 Cole
- 8,353,488 B2 1/2013 Palmer
- D737,196 S \* 8/2015 Pappas ..... D12/407
- D749,013 S \* 2/2016 Bauer ..... D12/115

(Continued)

**OTHER PUBLICATIONS**

“Varsity Bike Docks—Commercial Bike Parking Racks”; <http://www.parkabike.com/varsity-bike-dock>, dated Jun. 12, 2015 (14 pages).

*Primary Examiner* — George D Kirschbaum  
*Assistant Examiner* — Clese Moore, Jr.  
(74) *Attorney, Agent, or Firm* — McAndrews, Held & Malloy, Ltd.

(57) **CLAIM**

The ornamental design for a bicycle rack, as shown and described.

**DESCRIPTION**

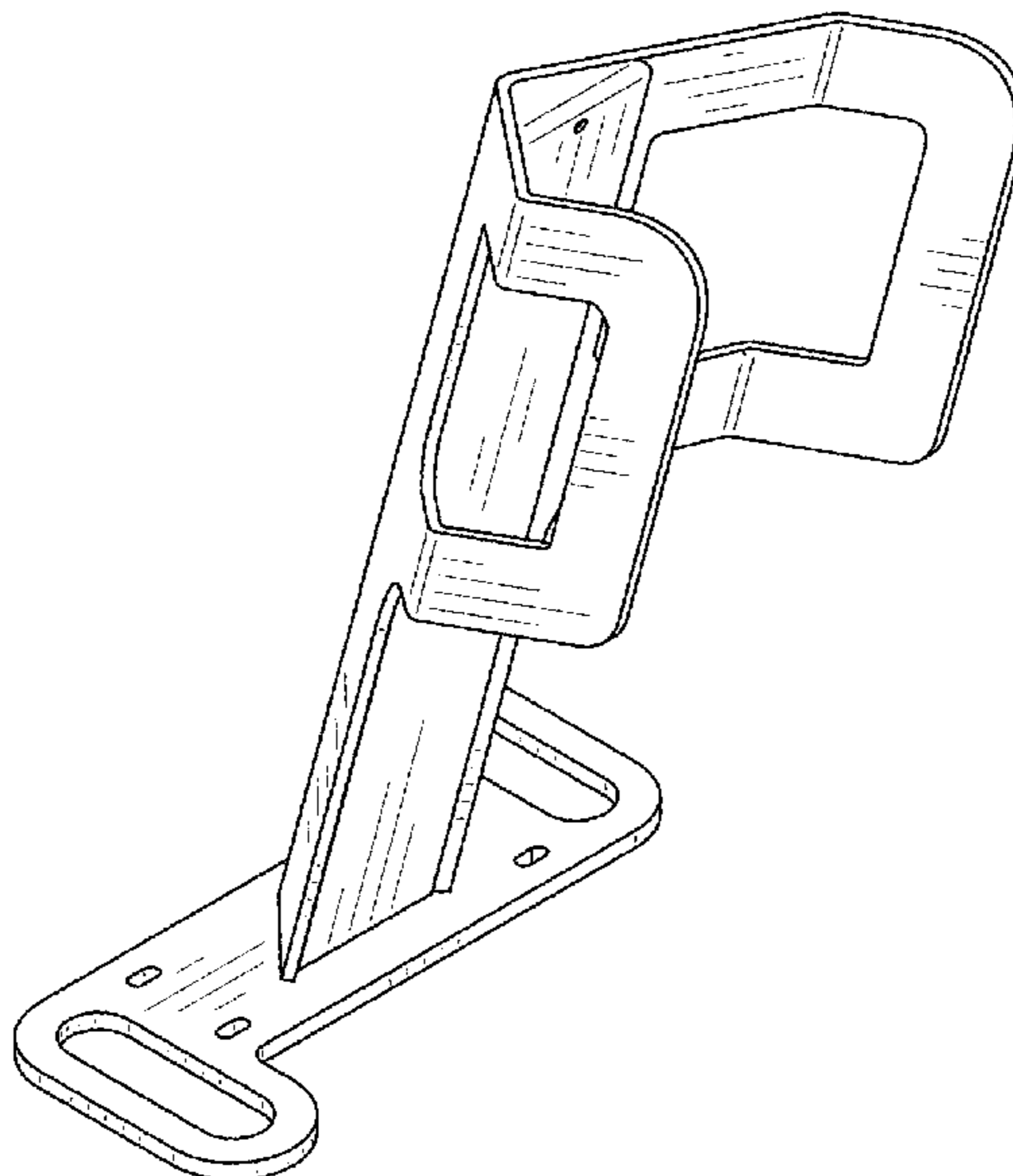
FIG. 1 is top, rear, right side perspective view of a bicycle rack showing my new design;  
FIG. 2 is a right side elevational view thereof;  
FIG. 3 is a left side elevational view thereof;  
FIG. 4 is a rear elevational view thereof;  
FIG. 5 is a front elevational view thereof;  
FIG. 6 is a top plan view thereof;  
FIG. 7 is a bottom plan view thereof;  
FIG. 8 is a top, front, left side perspective view thereof; and,  
FIG. 9 is a top, rear, right side perspective view thereof including unclaimed environmental features.  
The broken lines shown in FIG. 9 illustrate environment that forms no part of the claimed design.

**1 Claim, 6 Drawing Sheets**

(56) **References Cited**

**U.S. PATENT DOCUMENTS**

- 4,306,660 A \* 12/1981 Livingston ..... B62H 3/04  
211/20
- D263,039 S \* 2/1982 Richard, Jr. .... D12/115
- D302,805 S \* 8/1989 Hoyt ..... D12/115
- D391,902 S \* 3/1998 Pappas ..... D12/115
- D391,903 S \* 3/1998 Pappas ..... D12/115
- D456,316 S \* 4/2002 Will ..... D12/115
- D497,873 S 11/2004 Graber
- D507,511 S \* 7/2005 Lassanske ..... D12/115
- D585,793 S 2/2009 Skalka
- D599,714 S \* 9/2009 Neff ..... D12/115
- D605,093 S \* 12/2009 Lohr ..... D12/115



(56)

**References Cited**

U.S. PATENT DOCUMENTS

D759,570	S	*	6/2016	Pappas .....	D12/407
2004/0251219	A1		12/2004	Zimmerman	
2008/0000848	A1		1/2008	Chiu	
2008/0223800	A1		9/2008	Cole	
2009/0107933	A1		4/2009	Porter et al.	
2013/0228535	A1		9/2013	Wood et al.	
2013/0264297	A1		10/2013	Long	
2014/0183237	A1	*	7/2014	Wolfe .....	B60R 9/10 224/403

\* cited by examiner

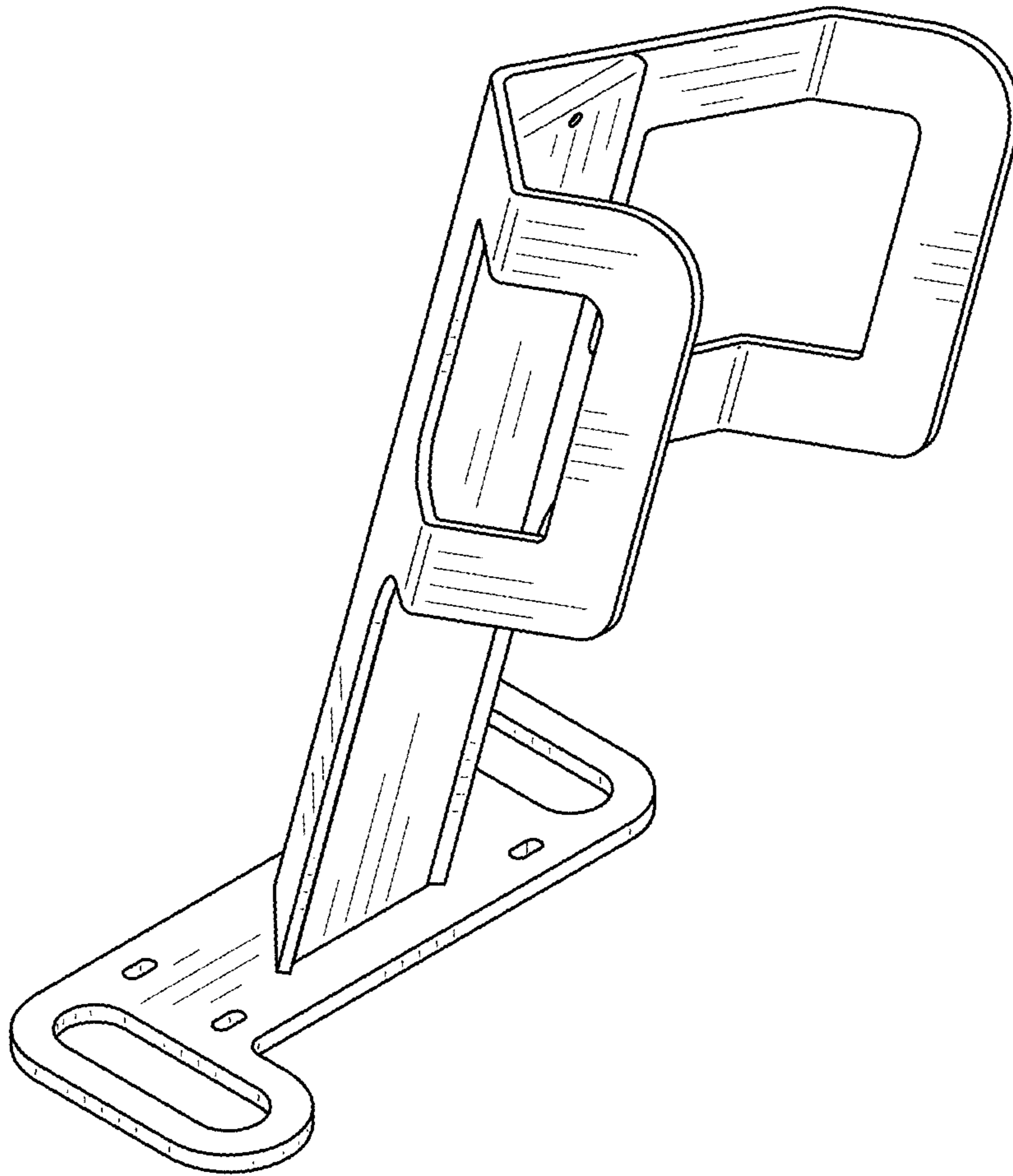


FIG. 1

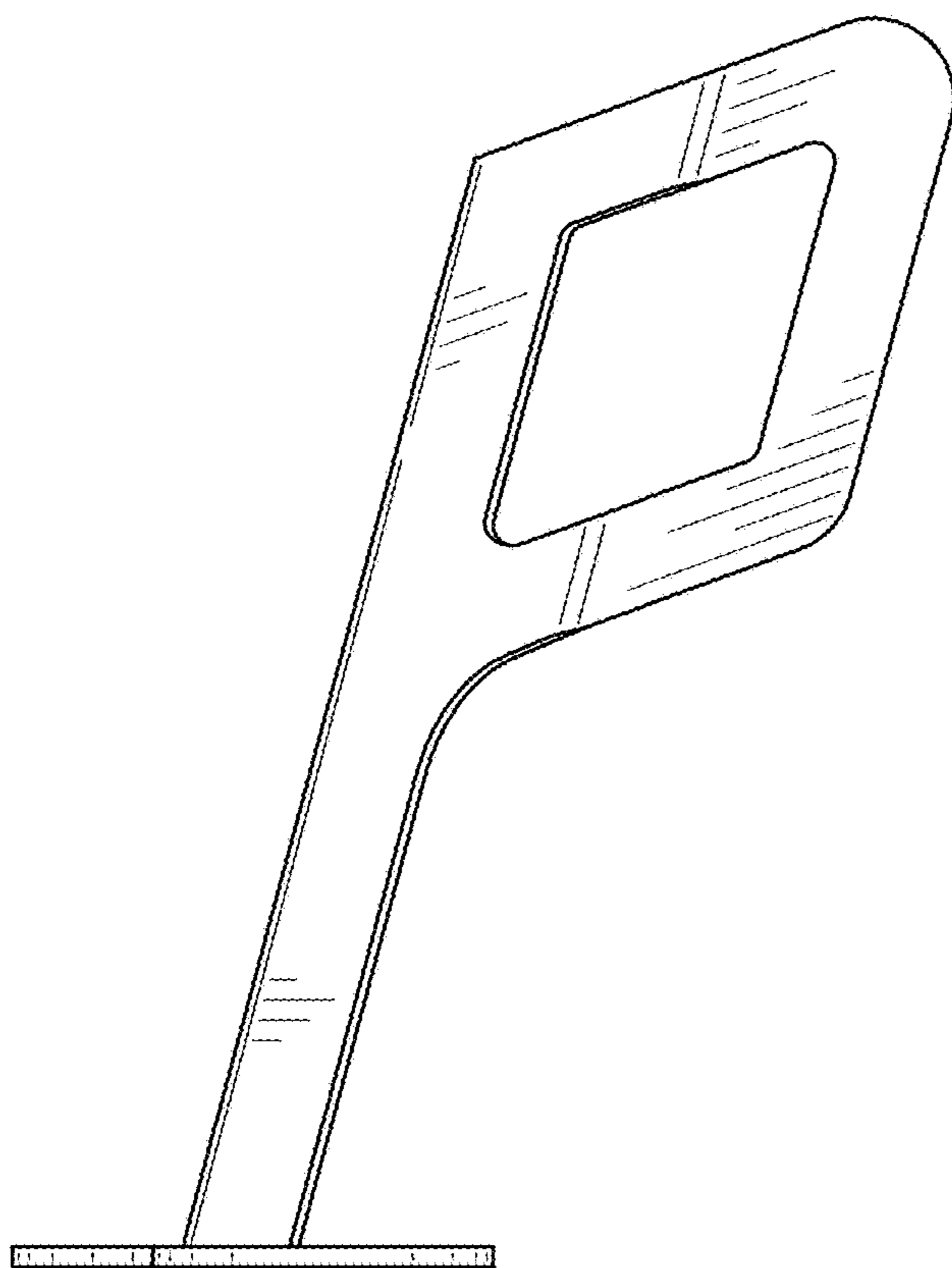


FIG. 2

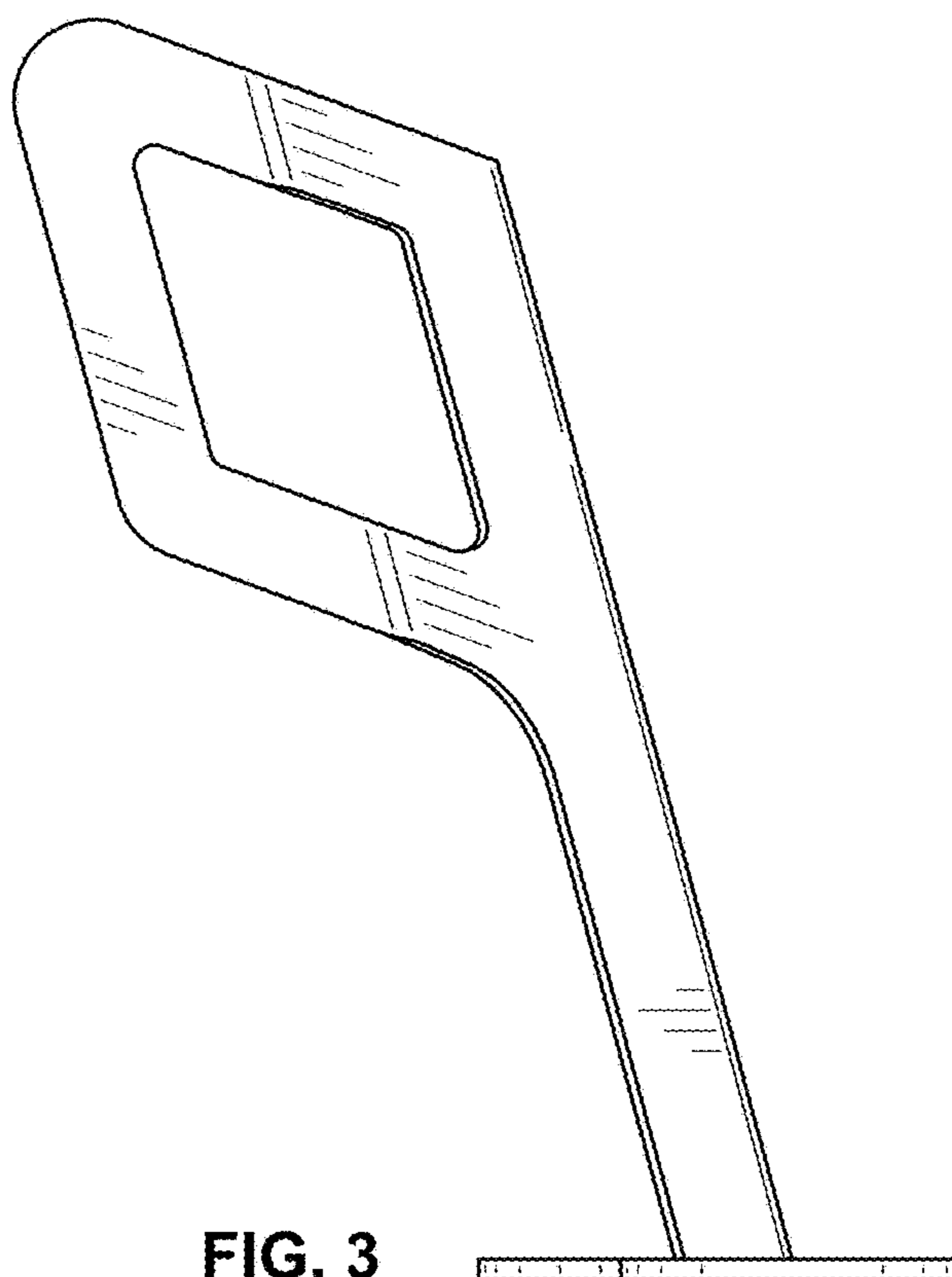


FIG. 3

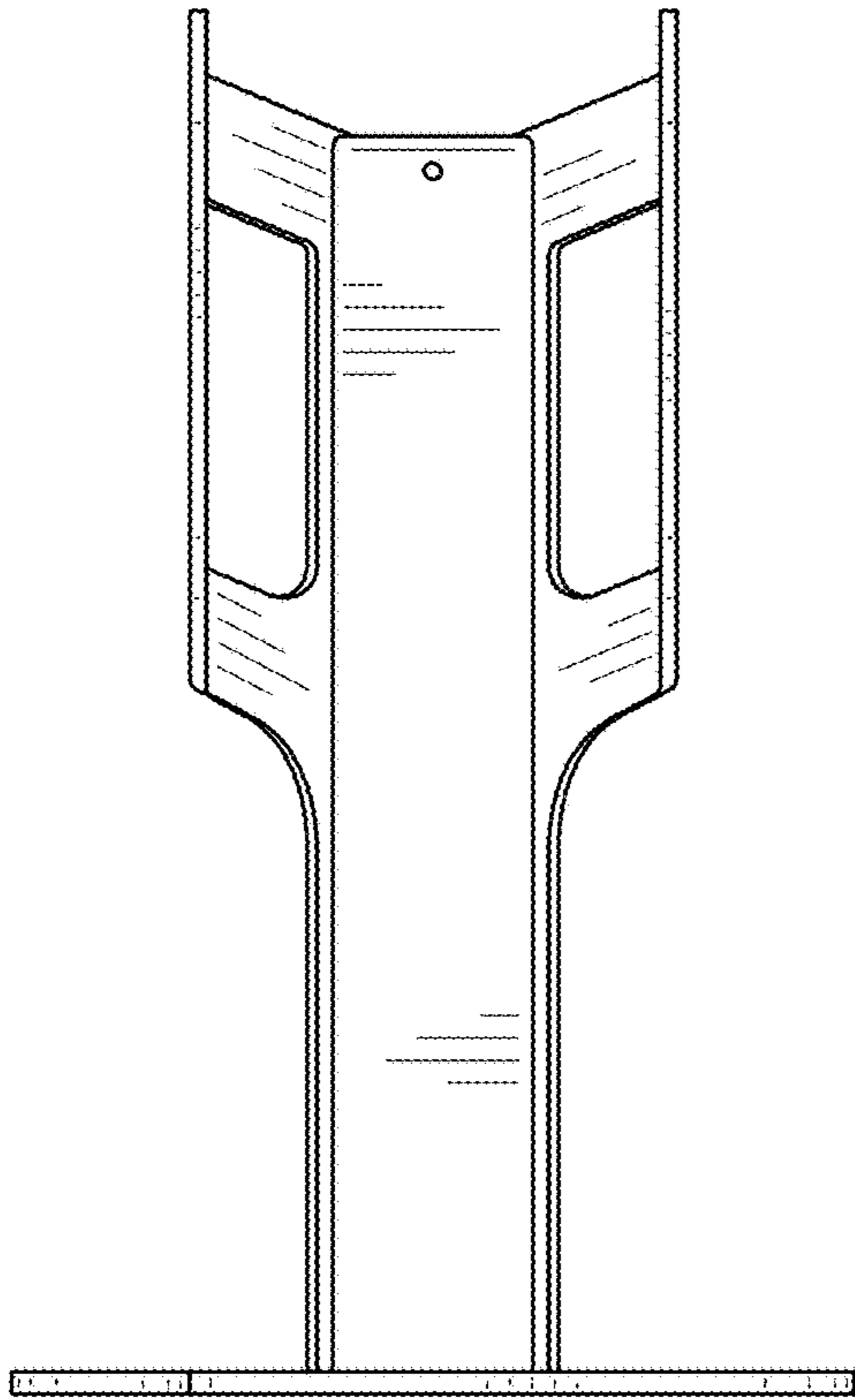


FIG. 4

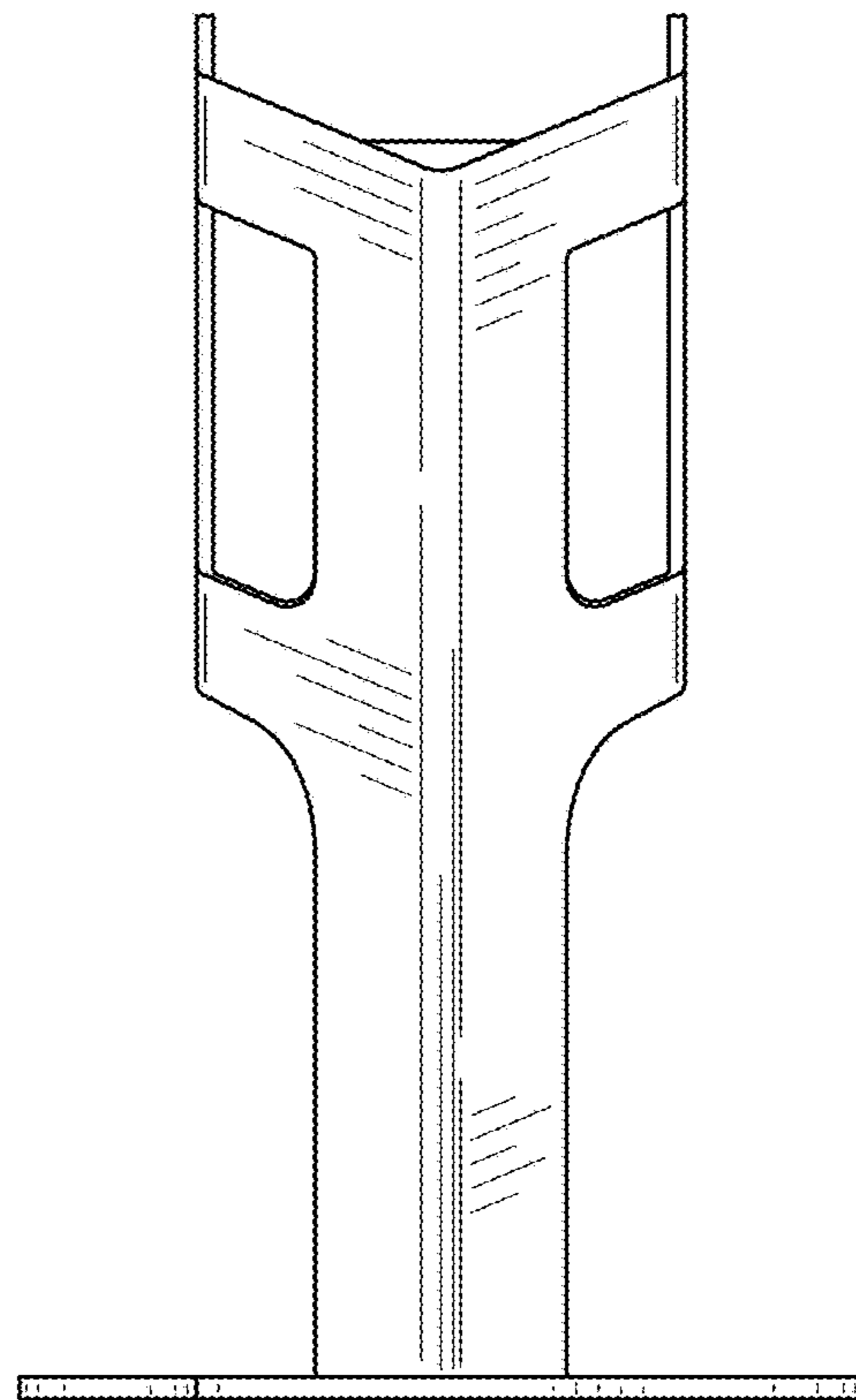


FIG. 5

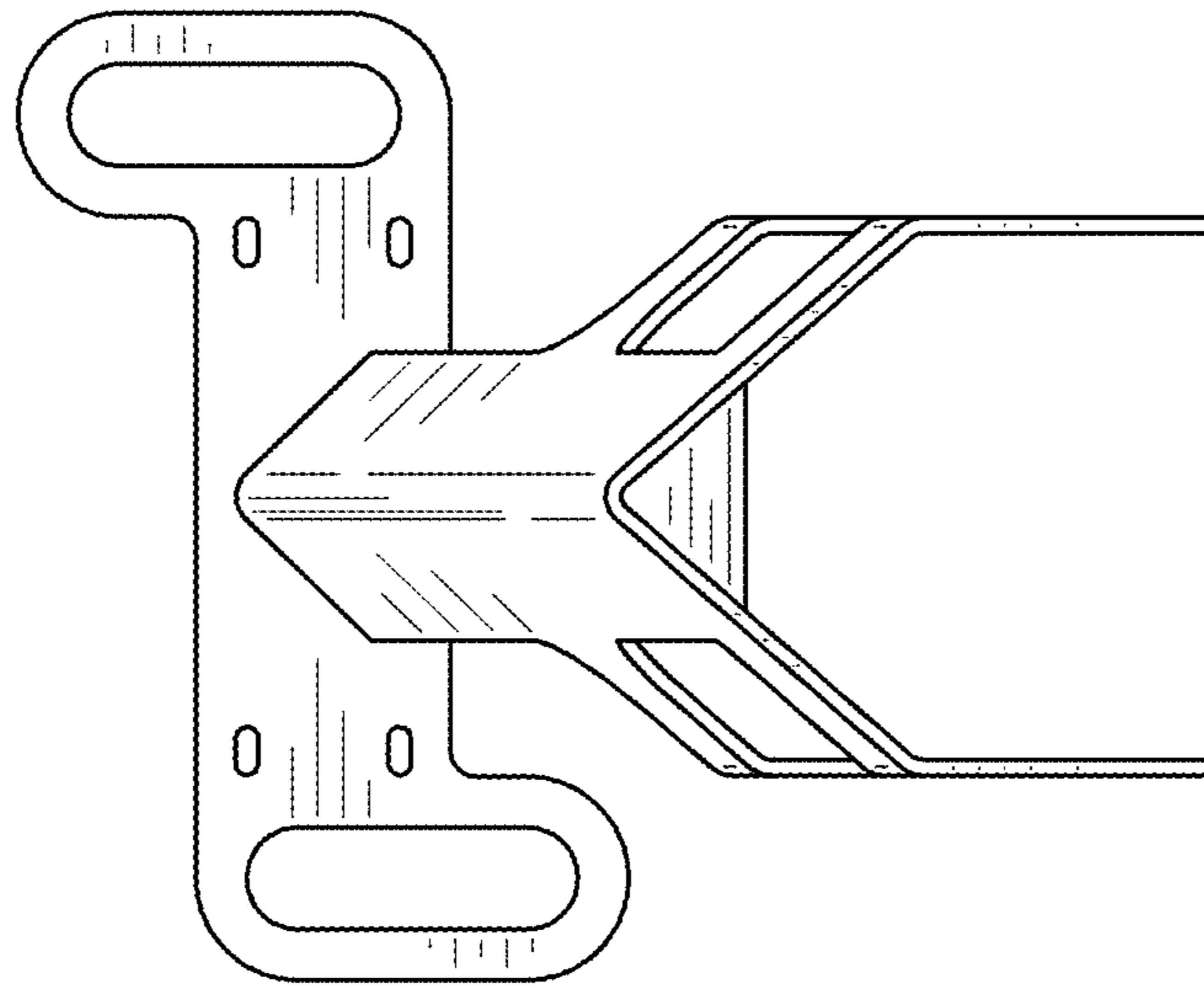


FIG. 6

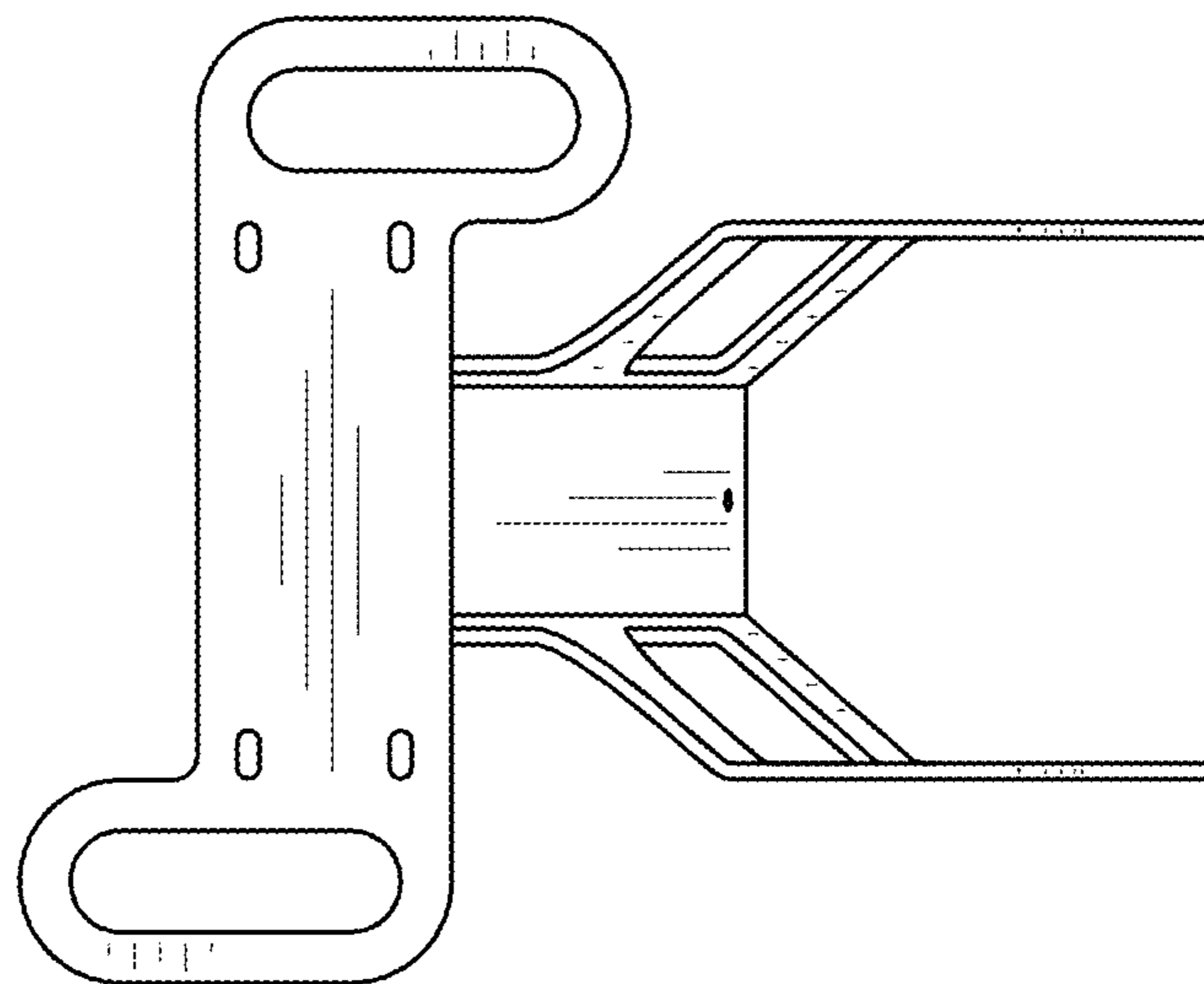


FIG. 7

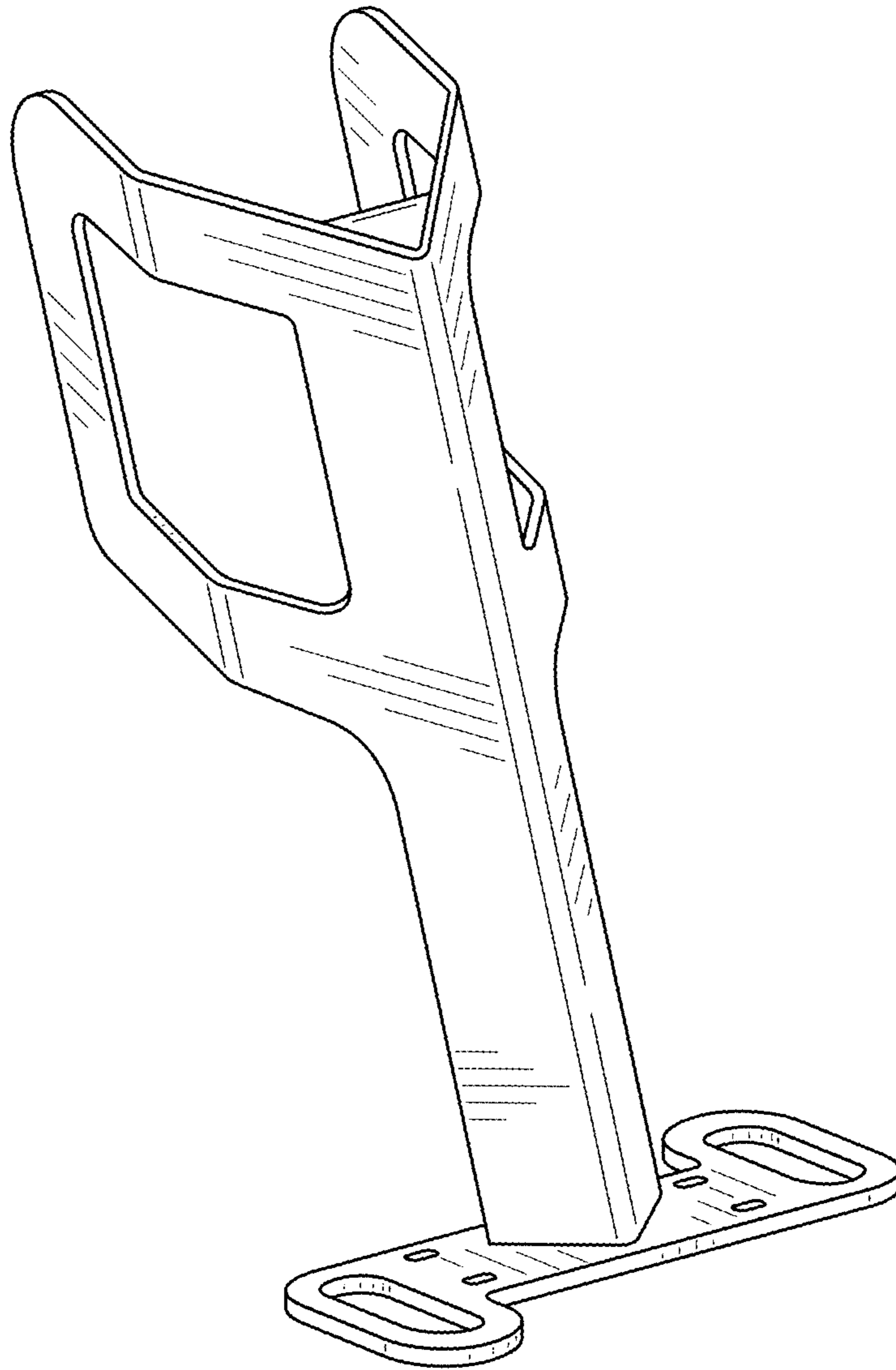


FIG. 8

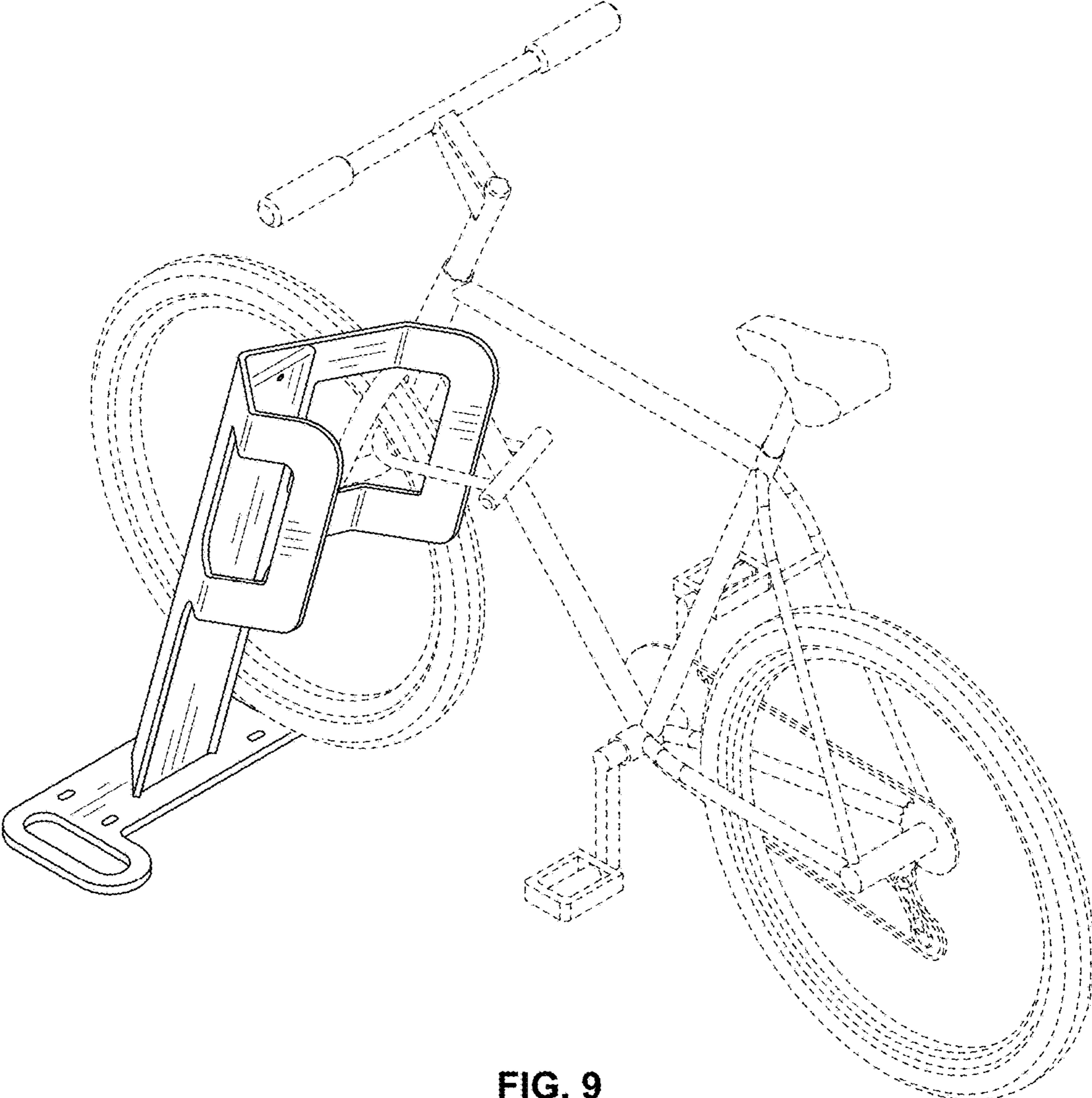


FIG. 9