



US00D774417S

(12) **United States Design Patent** (10) **Patent No.:** **US D774,417 S**  
**Watkins et al.** (45) **Date of Patent:** **\*\* Dec. 20, 2016**

(54) **VEHICLE**

<URL: [http://www.auto-brochures.com/makes/landrover/Range%20Rover/Land%20Rover\\_US%20RangeRover\\_2012.pdf](http://www.auto-brochures.com/makes/landrover/Range%20Rover/Land%20Rover_US%20RangeRover_2012.pdf)>.\*

(71) Applicant: **Land Rover**, Warwickshire (GB)

(Continued)

(72) Inventors: **James Watkins**, Warwickshire (GB);  
**Sean Henstridge**, Warwickshire (GB);  
**Andreas Knoedle-Bunte**, Warwickshire (GB);  
**Phillip Simmons**, Warwickshire (GB);  
**Richard Woolley**, Warwickshire (GB);  
**Andrew Wheel**, Coventry (GB)

*Primary Examiner* — Philip S Hyder  
*Assistant Examiner* — Darlington Ly  
(74) *Attorney, Agent, or Firm* — Rader, Fishman & Grauer PLLC

(73) Assignee: **Land Rover** (GB)

(\*\*) Term: **14 Years**

(57) **CLAIM**

The ornamental design for a vehicle, as shown and described.

(21) Appl. No.: **29/435,057**

**DESCRIPTION**

(22) Filed: **Oct. 18, 2012**

(30) **Foreign Application Priority Data**

Apr. 19, 2012 (EM) ..... 002029447  
Aug. 13, 2012 (EM) ..... 002087189  
Aug. 13, 2012 (EM) ..... 002087320

FIG. 1 is a front perspective view of a vehicle without a panoramic roof;  
FIG. 2 is a rear perspective view of the vehicle without the panoramic roof;  
FIG. 3 is a left side view of the vehicle without the panoramic roof;  
FIG. 4 is a right side view of the vehicle without the panoramic roof;  
FIG. 5 is a front view of the vehicle without the panoramic roof;  
FIG. 6 is a rear view of the vehicle without the panoramic roof;  
FIG. 7 is a top view of the vehicle without the panoramic roof;  
FIG. 8 is a front perspective view of a vehicle with a panoramic roof;  
FIG. 9 is a rear perspective view of the vehicle with the panoramic roof;  
FIG. 10 is a left side view of the vehicle with the panoramic roof;  
FIG. 11 is a right side view of the vehicle with the panoramic roof;  
FIG. 12 is a front view of the vehicle with the panoramic roof;  
FIG. 13 is a rear view of the vehicle with the panoramic roof;  
and,  
FIG. 14 is a top view of the vehicle with the panoramic roof.

(51) **LOC (10) Cl.** ..... **12-08**

(52) **U.S. Cl.**  
USPC ..... **D12/91**

(58) **Field of Classification Search**  
USPC ..... D12/86, 88, 90, 91, 92; D21/424, 433,  
D21/434; 296/181.1, 181.5  
See application file for complete search history.

(56) **References Cited**

**U.S. PATENT DOCUMENTS**

D350,504 S \* 9/1994 Nixon ..... D12/91  
D374,415 S \* 10/1996 Thomson ..... D12/91

(Continued)

**OTHER PUBLICATIONS**

2012 Land Rover Range Rover. Electronic Brochure. Aug. 17, 2011 [online], [retrieved on Apr. 18, 2013]. Retrieved from the Internet

(Continued)



The de-emphasized and halftone portions shown in the drawings illustrate portions of the vehicle that form no part of claimed design.

**1 Claim, 12 Drawing Sheets**

(56)

**References Cited**

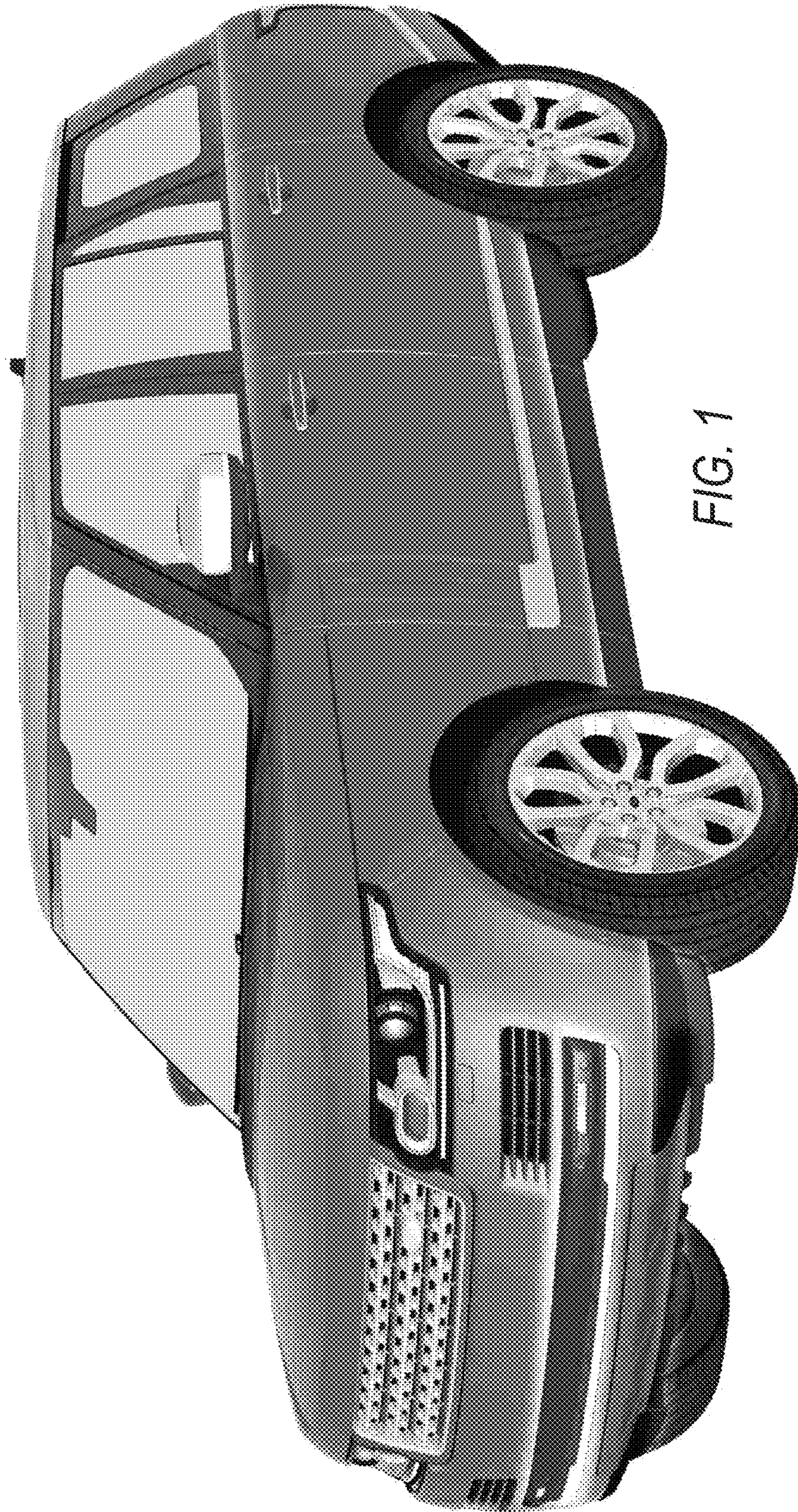
U.S. PATENT DOCUMENTS

D458,189	S	*	6/2002	Wyatt	.....	D12/91
D516,956	S	*	3/2006	Bucci et al.	.....	D12/91
D524,190	S	*	7/2006	Fisker et al.	.....	D12/91
D579,823	S	*	11/2008	Choi et al.	.....	D12/91
D584,996	S	*	1/2009	Jamieson et al.	.....	D12/91
D587,170	S	*	2/2009	Tokoro et al.	.....	D12/91
D619,500	S	*	7/2010	Hsu et al.	.....	D12/91
8,246,109	B2	*	8/2012	Wykoff et al.	.....	296/216.08
D671,454	S	*	11/2012	Davidson et al.	.....	D12/91
2010/0038932	A1	*	2/2010	Comfort et al.	.....	296/216.08

OTHER PUBLICATIONS

2013 Land Rover Range Rover. Electronic Brochure. Oct. 23, 2012 [online], [retrieved on Apr. 18, 2013]. Retrieved from the Internet <URL: [http://www.auto-brochures.com/makes/landrover/Range%20Rover/Land%20Rover\\_int%20RangeRover\\_2013.pdf](http://www.auto-brochures.com/makes/landrover/Range%20Rover/Land%20Rover_int%20RangeRover_2013.pdf)>.\*

\* cited by examiner



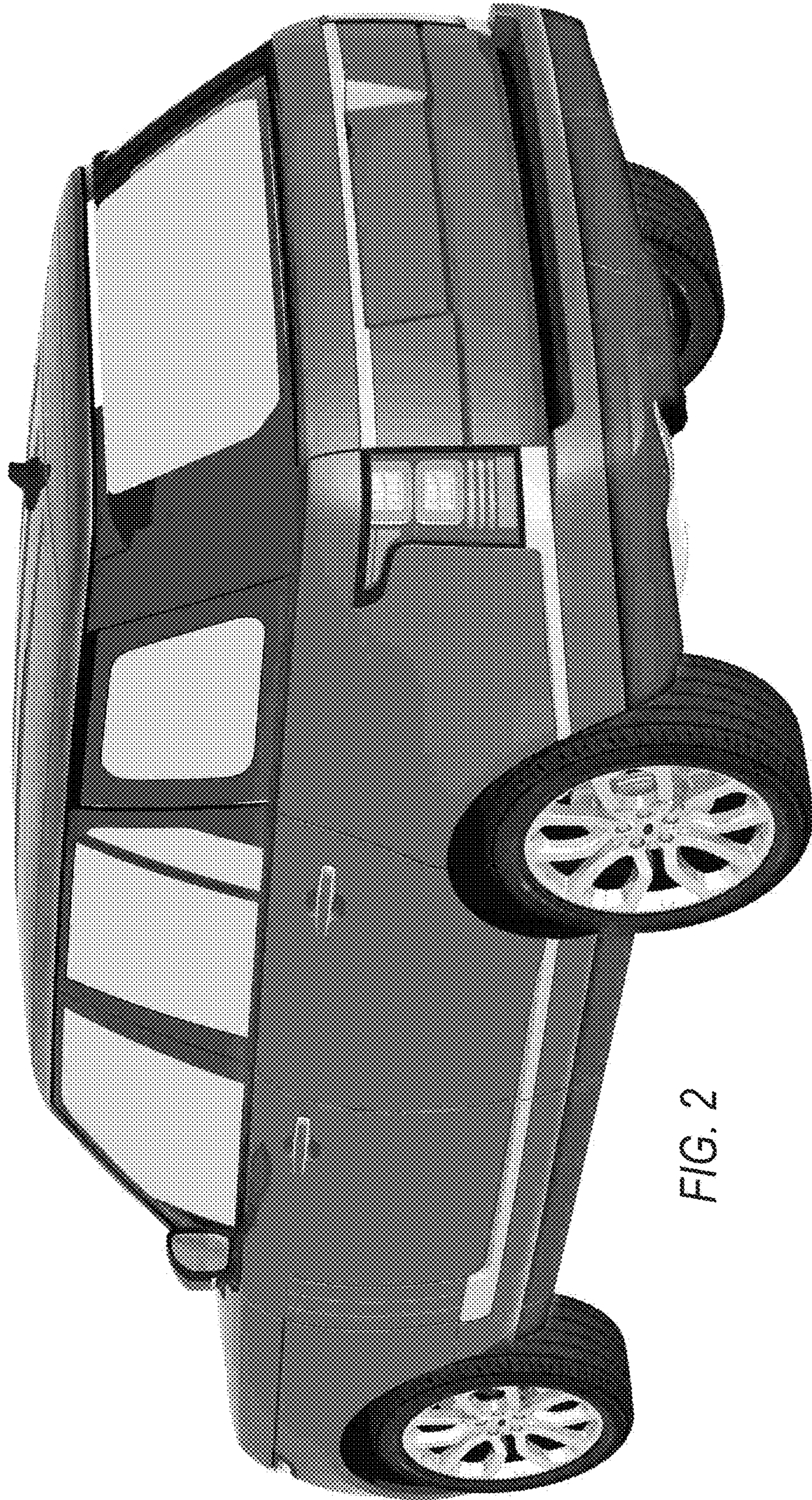


FIG. 2

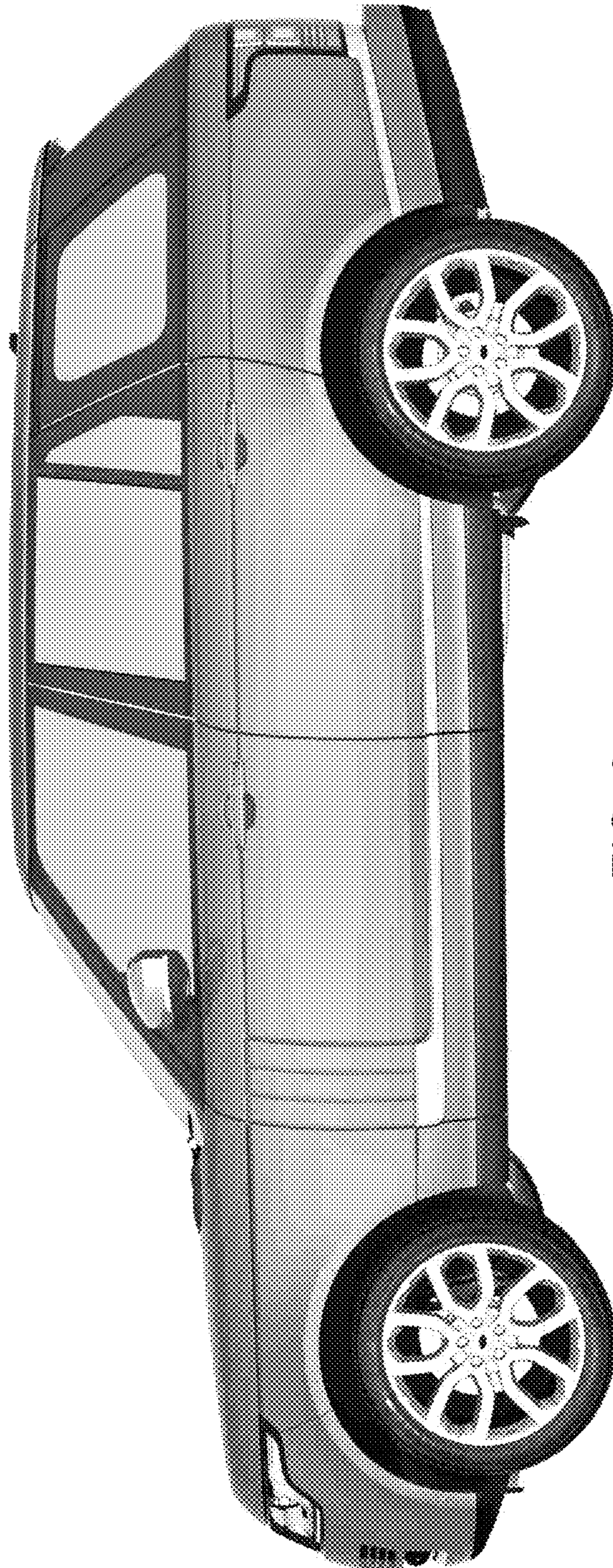


FIG. 3

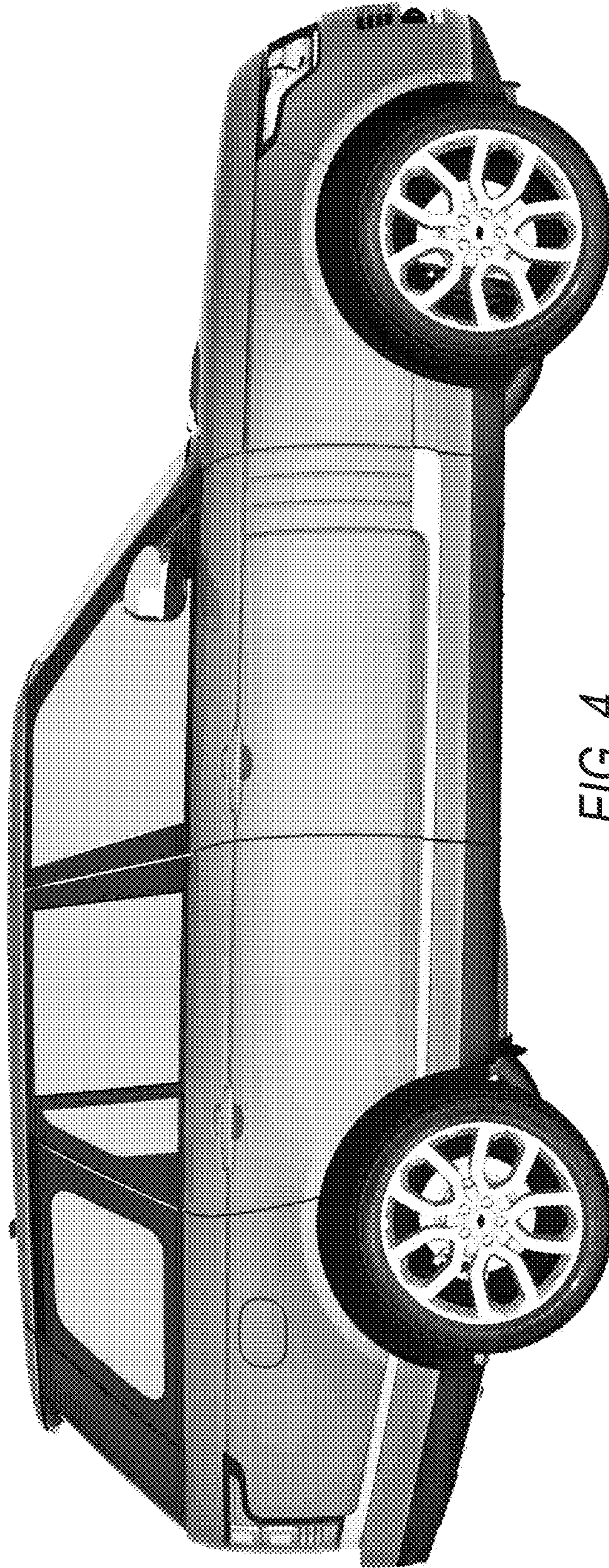


FIG. 4



FIG. 5

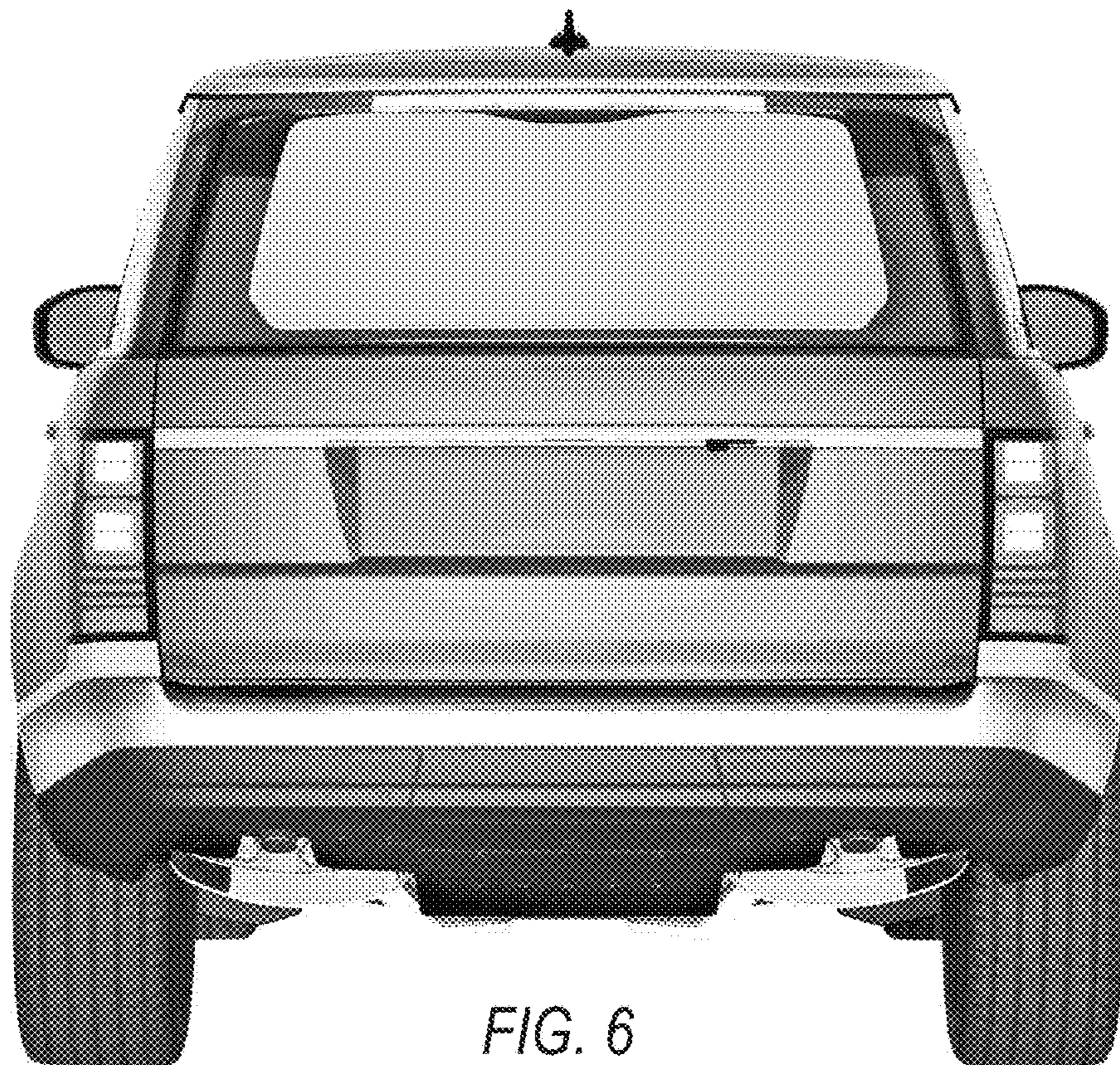


FIG. 6



FIG. 7



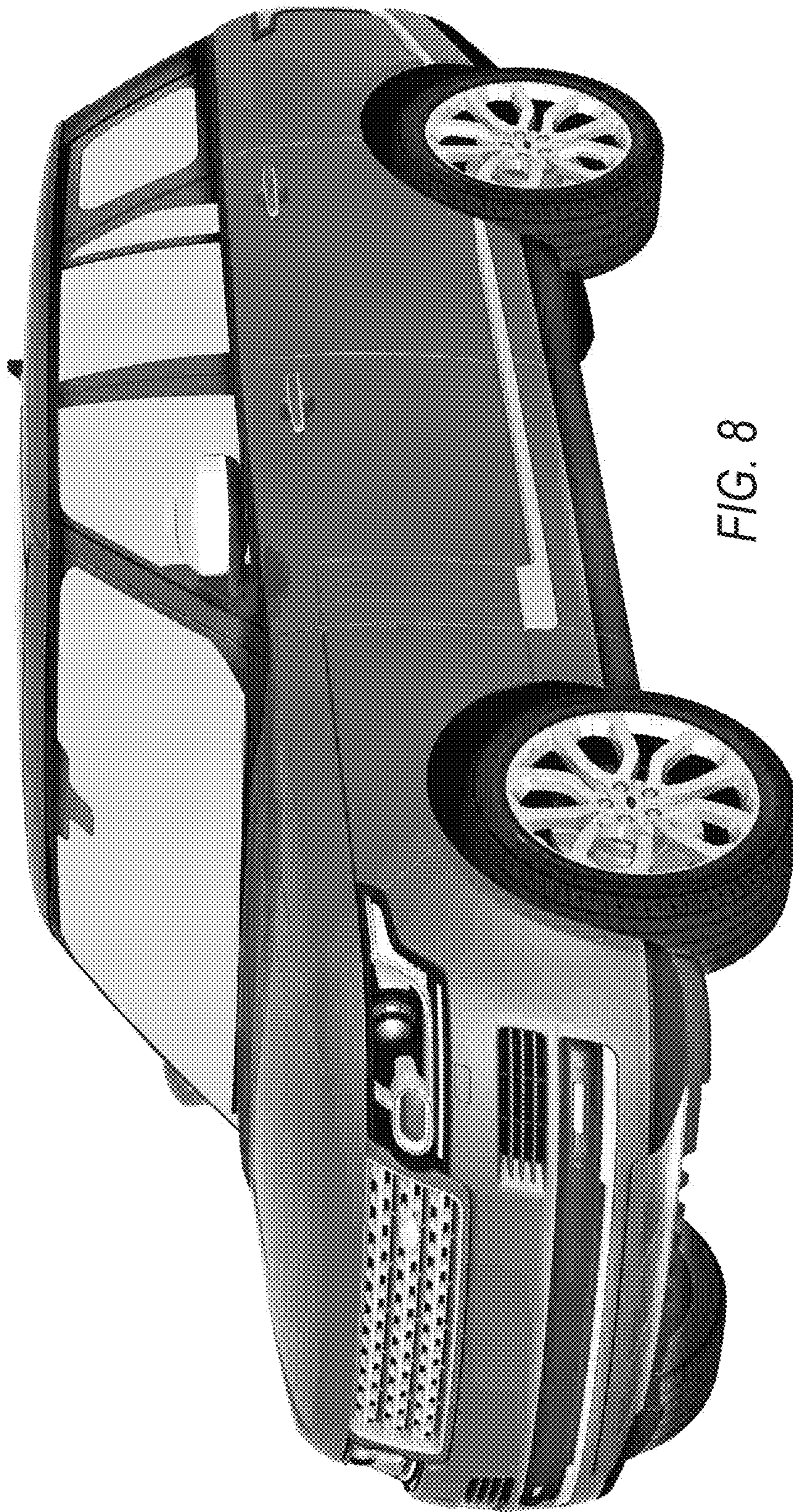


FIG. 8

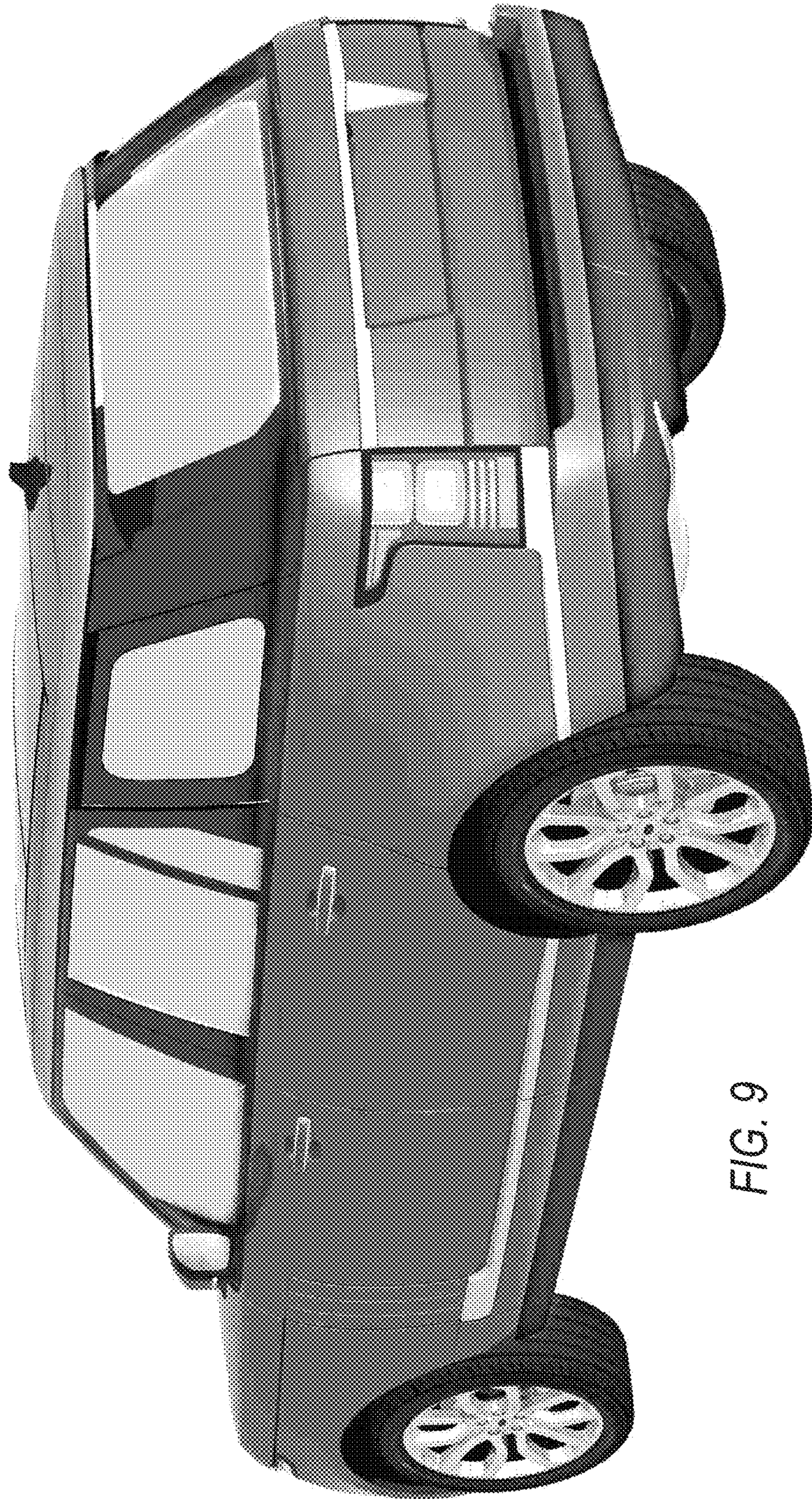


FIG. 9

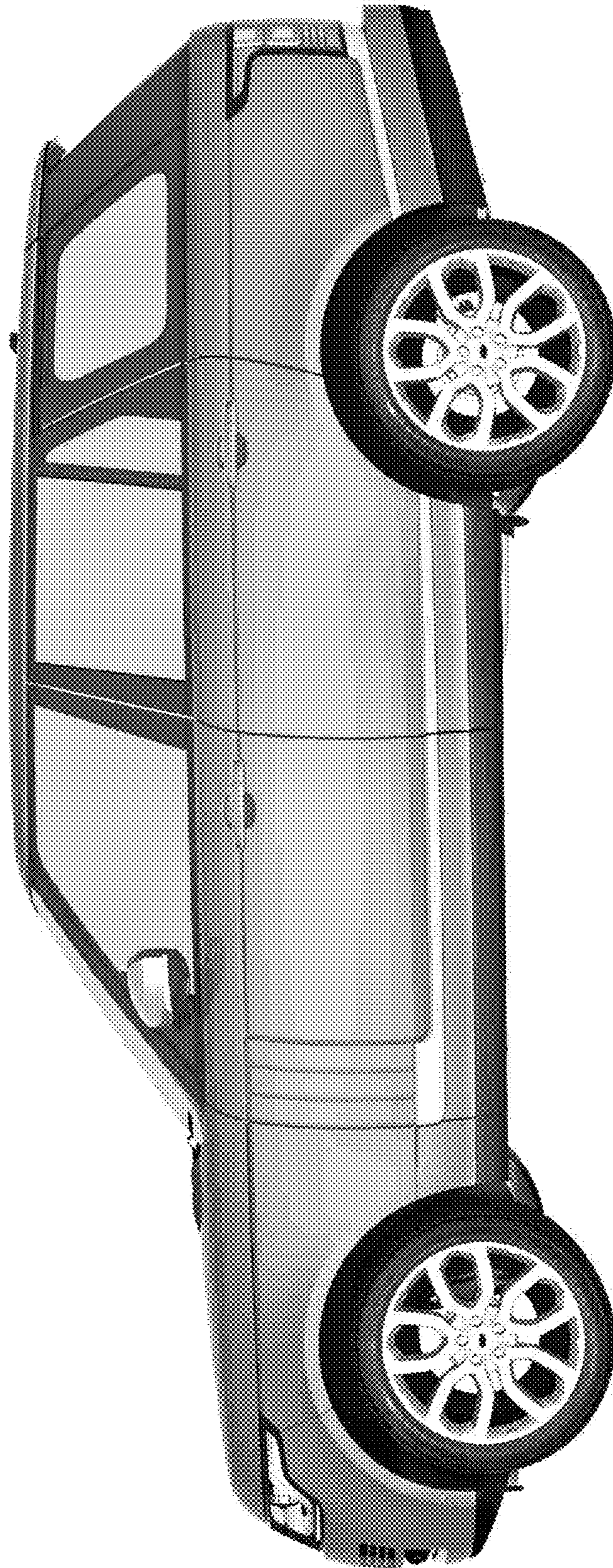


FIG. 10

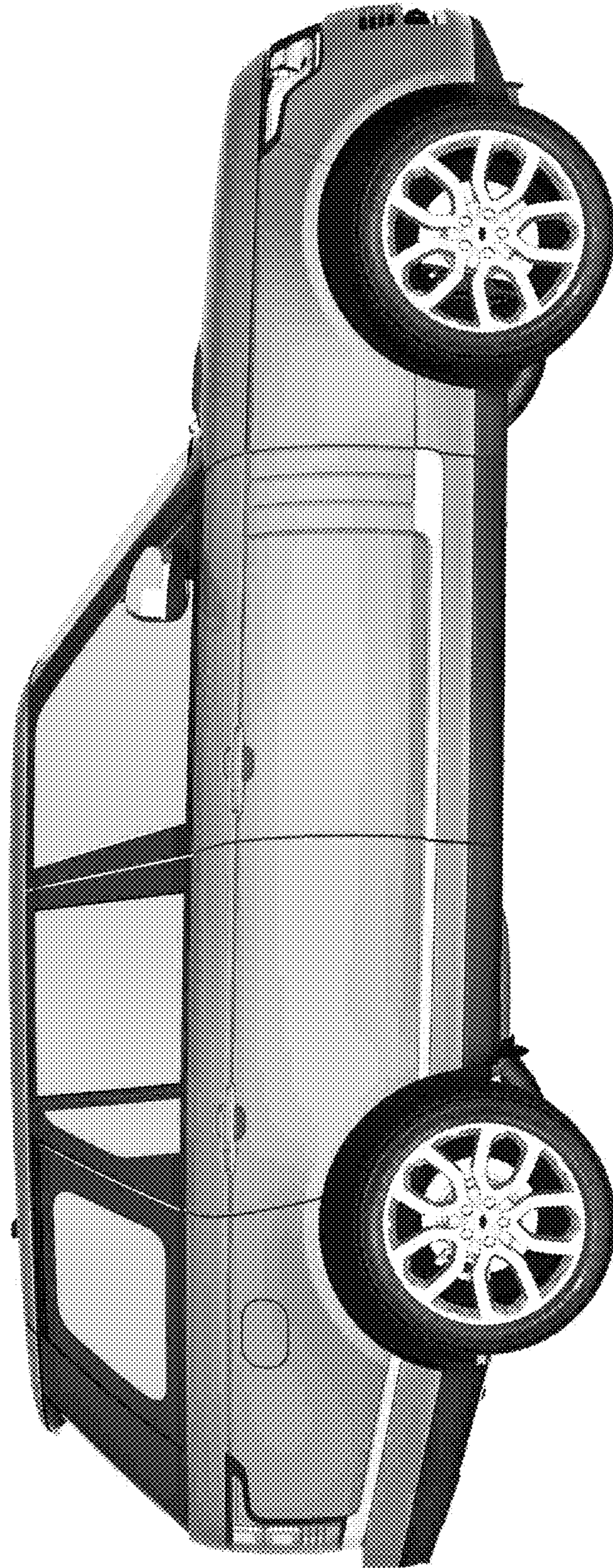


FIG. 11

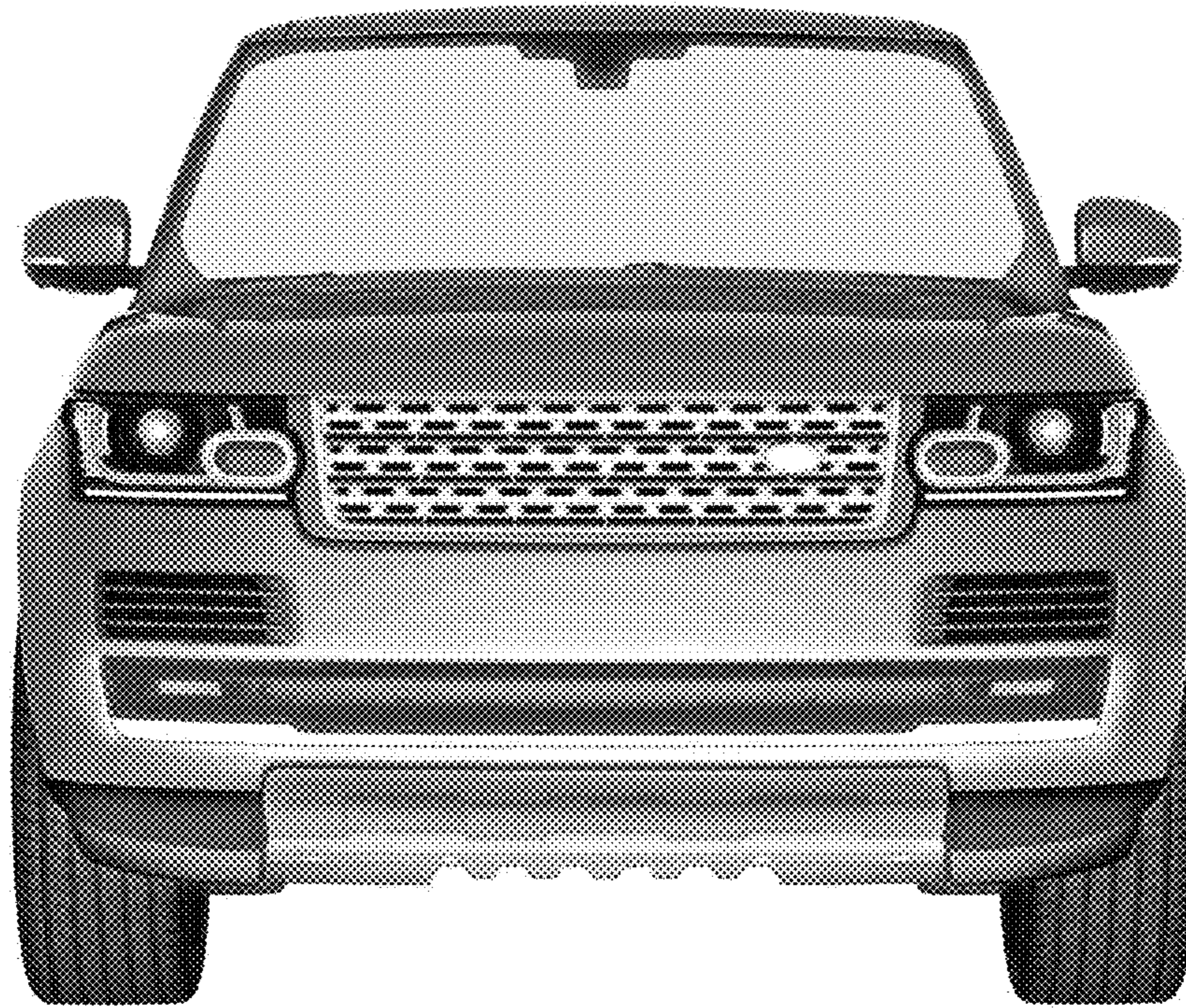


FIG. 12



FIG. 13



FIG. 14