



US00D774414S

(12) **United States Design Patent** (10) **Patent No.:** **US D774,414 S**  
**Gibney et al.** (45) **Date of Patent:** **\*\* Dec. 20, 2016**

(54) **SOLEBAR OF A RAILWAY VEHICLE**

(71) Applicant: **Drax Power Limited**, Selby, North Yorkshire (GB)

(72) Inventors: **Richard Peter Gibney**, Derby (GB);  
**David Thomas Turner**, Derby (GB);  
**Paul Hodgkinson**, Derby (GB)

(73) Assignee: **Drax Power Limited**, Selby, North Yorkshire (GB)

(\*\*) Term: **14 Years**

(21) Appl. No.: **29/464,439**

(22) Filed: **Aug. 16, 2013**

(30) **Foreign Application Priority Data**

Feb. 19, 2013 (EM) ..... 002187021-0001

(51) **LOC (10) Cl.** ..... **12-03**

(52) **U.S. Cl.**  
USPC ..... **D12/42; D12/43**

(58) **Field of Classification Search**  
USPC ..... D12/36-51, 93, 400, 414, 196; 105/407,  
105/404, 422  
CPC ..... B61D 17/08  
See application file for complete search history.

(56) **References Cited**

U.S. PATENT DOCUMENTS

D33,340 S \* 10/1900 Keithley ..... D12/45  
778,706 A \* 12/1904 Rapley ..... 105/401  
1,335,224 A \* 3/1920 Elliott ..... 105/401  
2,546,232 A \* 3/1951 Owens ..... 105/417  
D170,400 S \* 9/1953 Candlin ..... D12/40  
D201,478 S \* 6/1965 Mowatt-Larssen et al. .. D12/41  
3,521,573 A \* 7/1970 Johansson ..... 105/409

4,348,962 A \* 9/1982 Smith ..... 105/248  
4,563,957 A \* 1/1986 Billingsley et al. .... 105/418  
4,671,562 A \* 6/1987 Broadbent ..... 296/186.2  
5,085,152 A \* 2/1992 Tylisz et al. .... 105/419  
6,666,148 B1 \* 12/2003 Coslovi et al. .... 105/404  
7,004,079 B2 \* 2/2006 Forbes ..... 105/223  
7,337,727 B2 \* 3/2008 Forbes ..... 105/404  
7,478,600 B2 \* 1/2009 Beers et al. .... 105/423  
7,607,396 B2 \* 10/2009 Saxton et al. .... 105/404  
7,735,426 B2 \* 6/2010 Creighton et al. .... 105/286  
8,240,256 B2 \* 8/2012 Nutt ..... 105/406.1  
8,371,236 B2 \* 2/2013 Budnick ..... 105/404  
2009/0120324 A1 \* 5/2009 Saxton et al. .... 105/407

\* cited by examiner

*Primary Examiner* — T. Chase Nelson

*Assistant Examiner* — Ania Aman

(74) *Attorney, Agent, or Firm* — Gesmer Updegrove LLP

(57) **CLAIM**

We claim the ornamental design of a solebar for a railway vehicle, as shown and described.

**DESCRIPTION**

FIG. 1 is a top perspective view of a solebar for a railway vehicle showing our new design;

FIG. 2 is an underside perspective view of the solebar for a railway vehicle of FIG. 1;

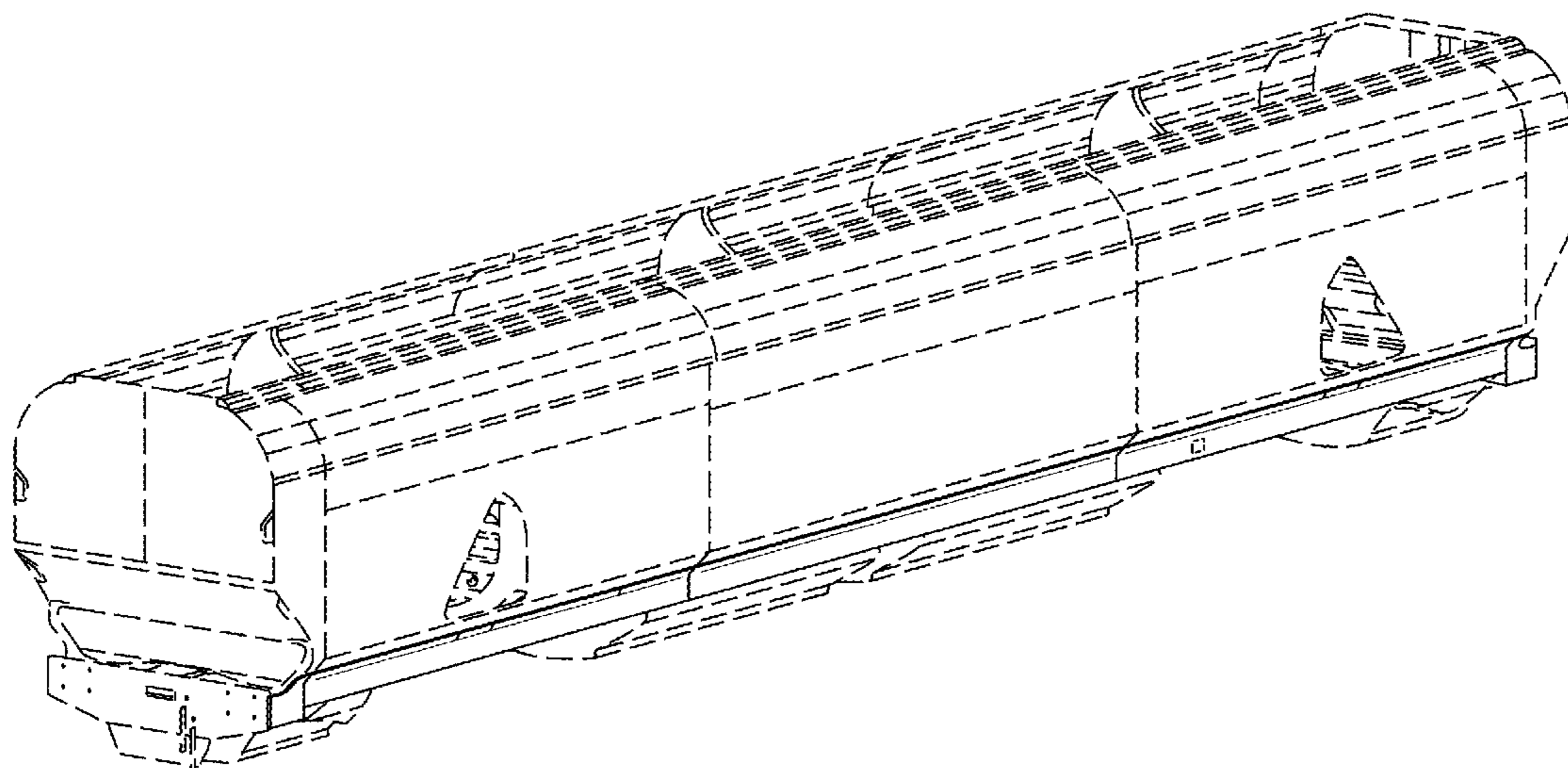
FIG. 3 is an end view of the solebar for a railway vehicle of FIG. 1;

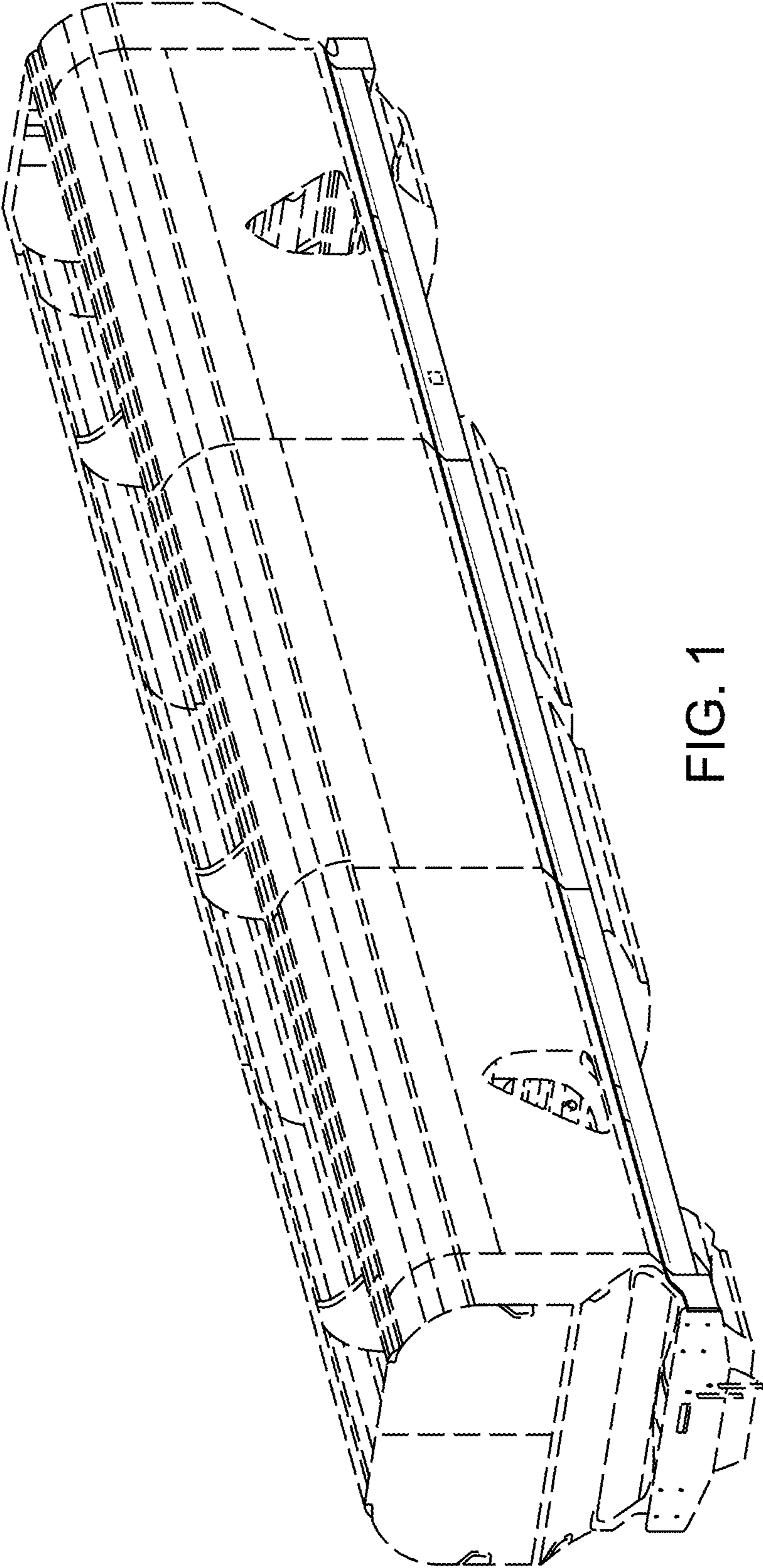
FIG. 4 is left side elevation view of the solebar for a railway vehicle of FIG. 1; and,

FIG. 5 is another perspective view of the solebar for a railway vehicle of FIG. 1.

The broken lines shown in the drawings are for the purpose of illustrating environmental structure and portions of the article that form no part of the claimed design.

**1 Claim, 4 Drawing Sheets**





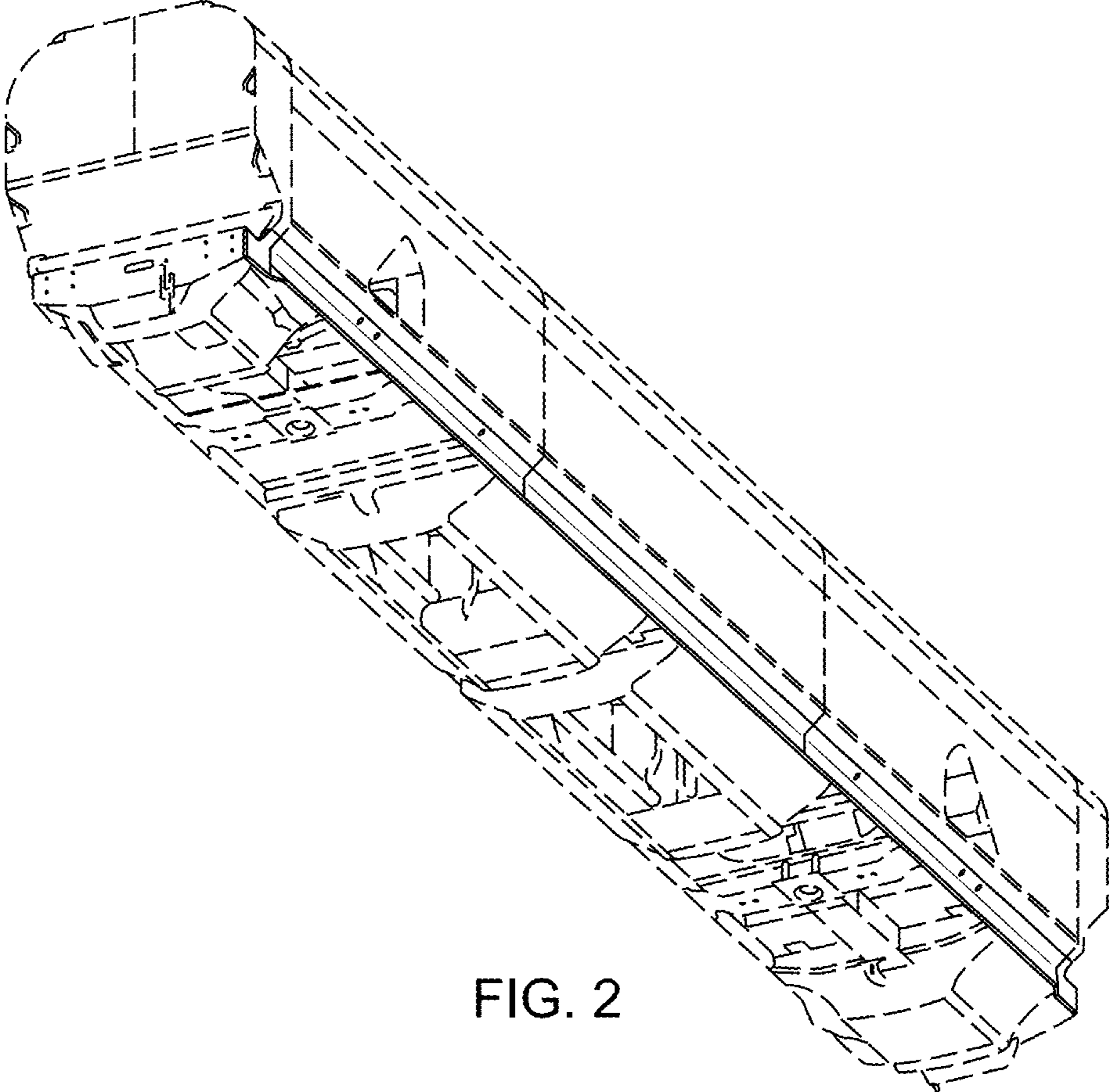


FIG. 2

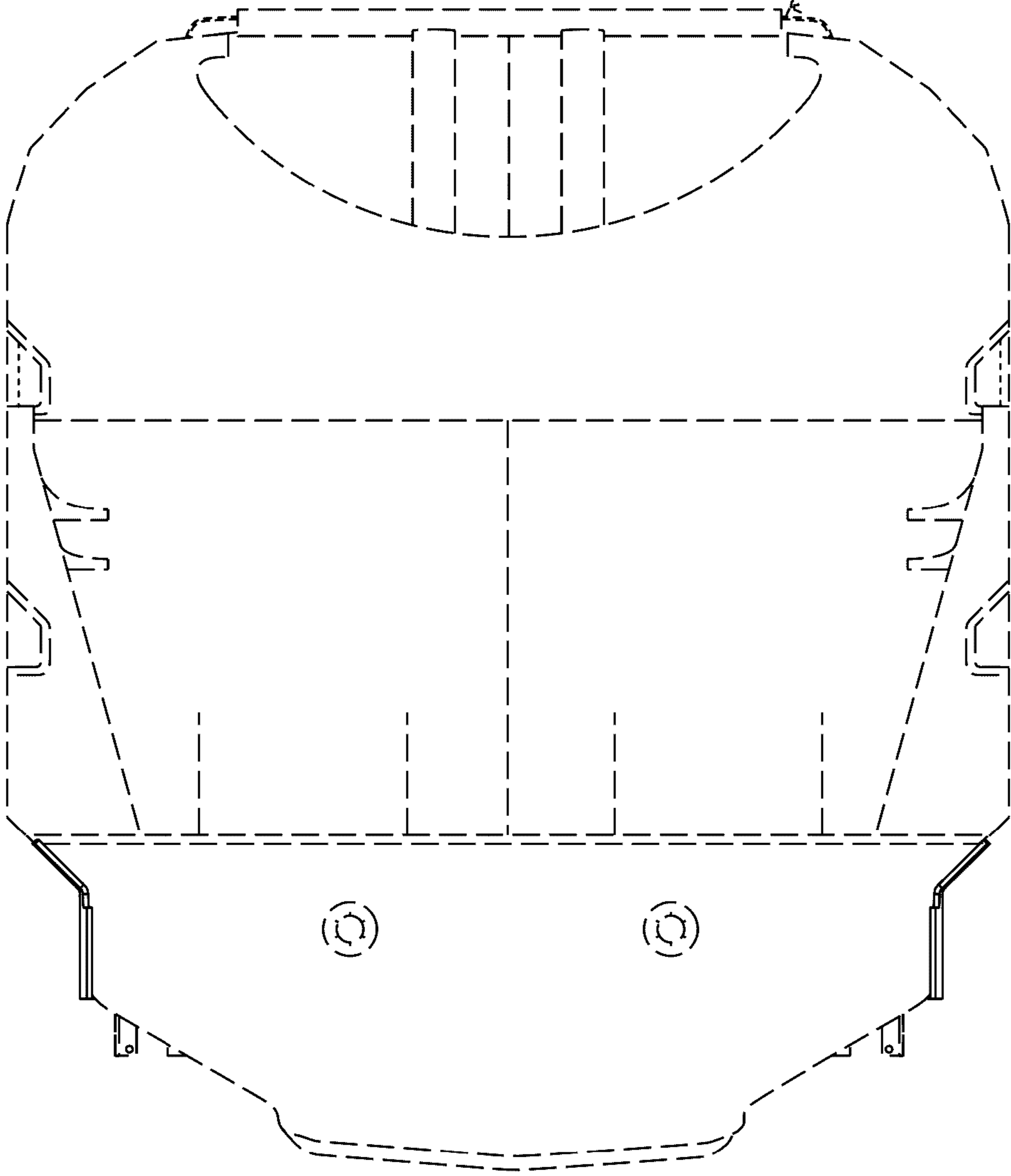


FIG.3

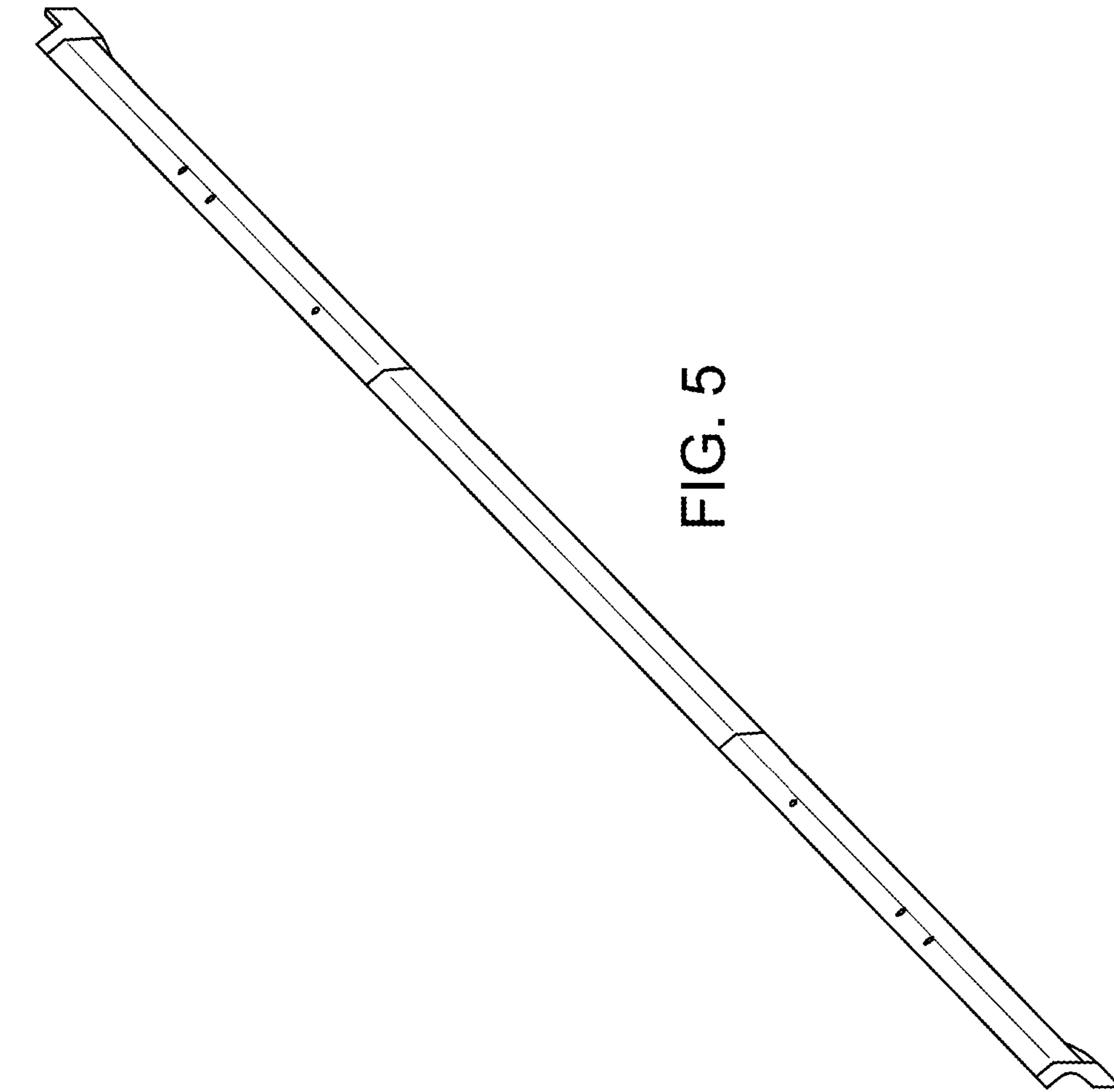


FIG. 5

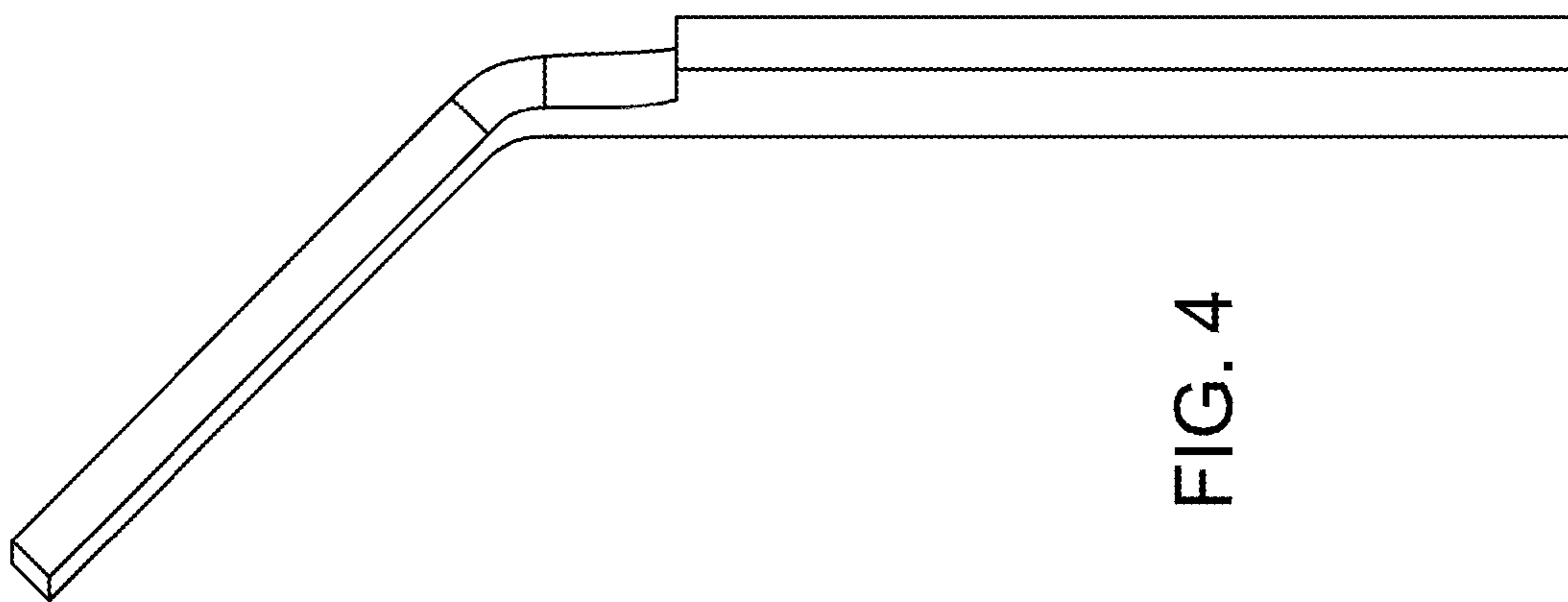


FIG. 4