



US00D774410S

(12) **United States Design Patent**
Lacy

(10) **Patent No.:** **US D774,410 S**

(45) **Date of Patent:** **** Dec. 20, 2016**

(54) **BELL**

(71) Applicant: **Christopher Lacy**, Encinitas, CA (US)

(72) Inventor: **Christopher Lacy**, Encinitas, CA (US)

(**) Term: **15 Years**

(21) Appl. No.: **29/543,186**

(22) Filed: **Oct. 21, 2015**

(51) **LOC (10) Cl.** **10-05**

(52) **U.S. Cl.**
USPC **D10/118**

(58) **Field of Classification Search**
USPC D10/118; D9/457
CPC B62J 3/00
See application file for complete search history.

(56) **References Cited**

U.S. PATENT DOCUMENTS

D316,055 S * 4/1991 Rixen D10/118

D676,750 S * 2/2013 Lira D9/457

* cited by examiner

Primary Examiner — George D Kirschbaum

(74) *Attorney, Agent, or Firm* — Adli Law Group

(57) **CLAIM**

The ornamental design for a bell, as shown and described.

DESCRIPTION

FIG. 1 is a perspective view of a bell according to the claimed design;

FIG. 2 is a front elevation view thereof;

FIG. 3 is a rear elevation view thereof;

FIG. 4 is a right side elevation view thereof;

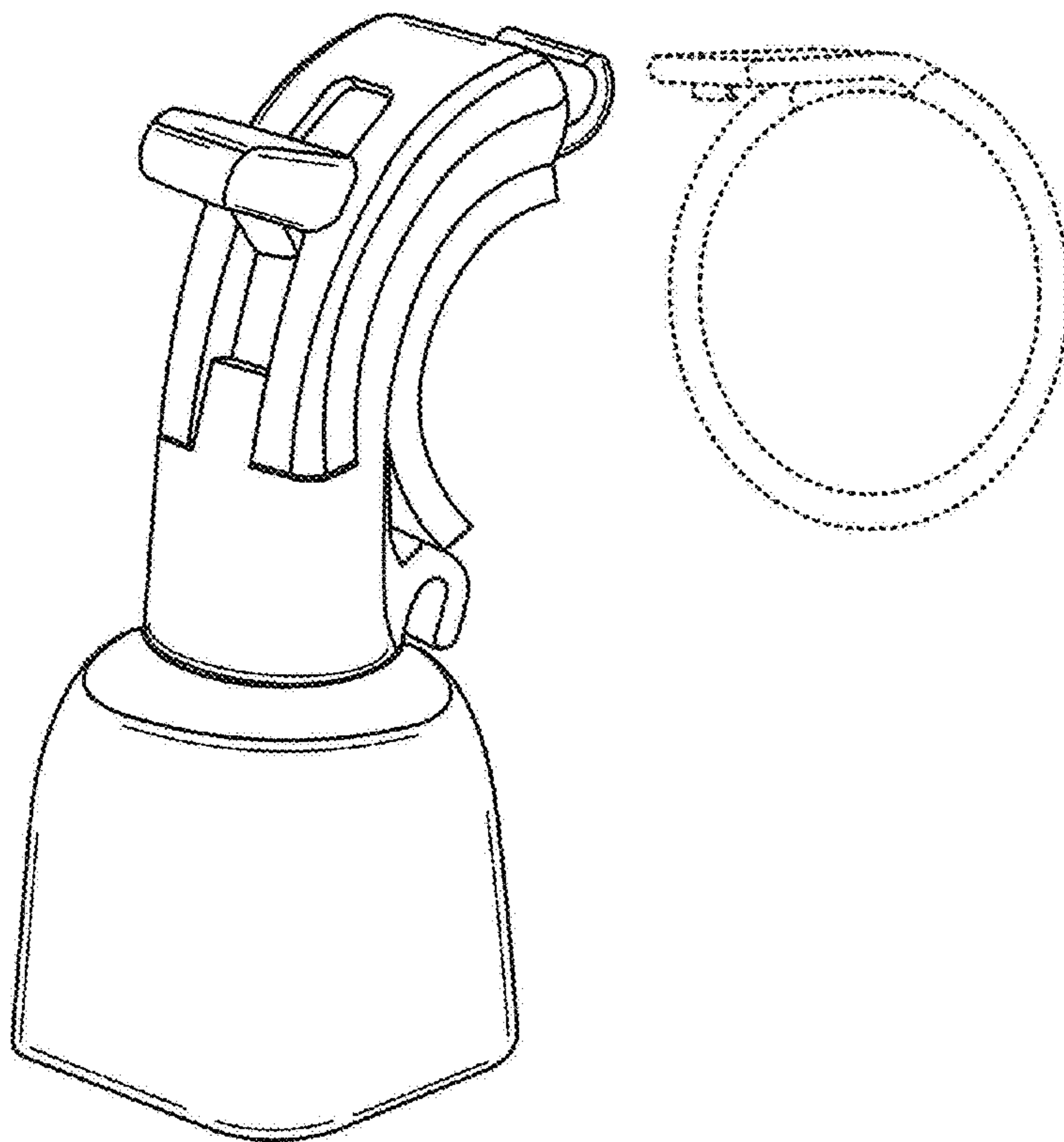
FIG. 5 is a left side elevation view thereof;

FIG. 6 is a top plan view thereof; and,

FIG. 7 is a bottom plan view thereof.

The broken lines depict unclaimed environmental subject matter.

1 Claim, 6 Drawing Sheets



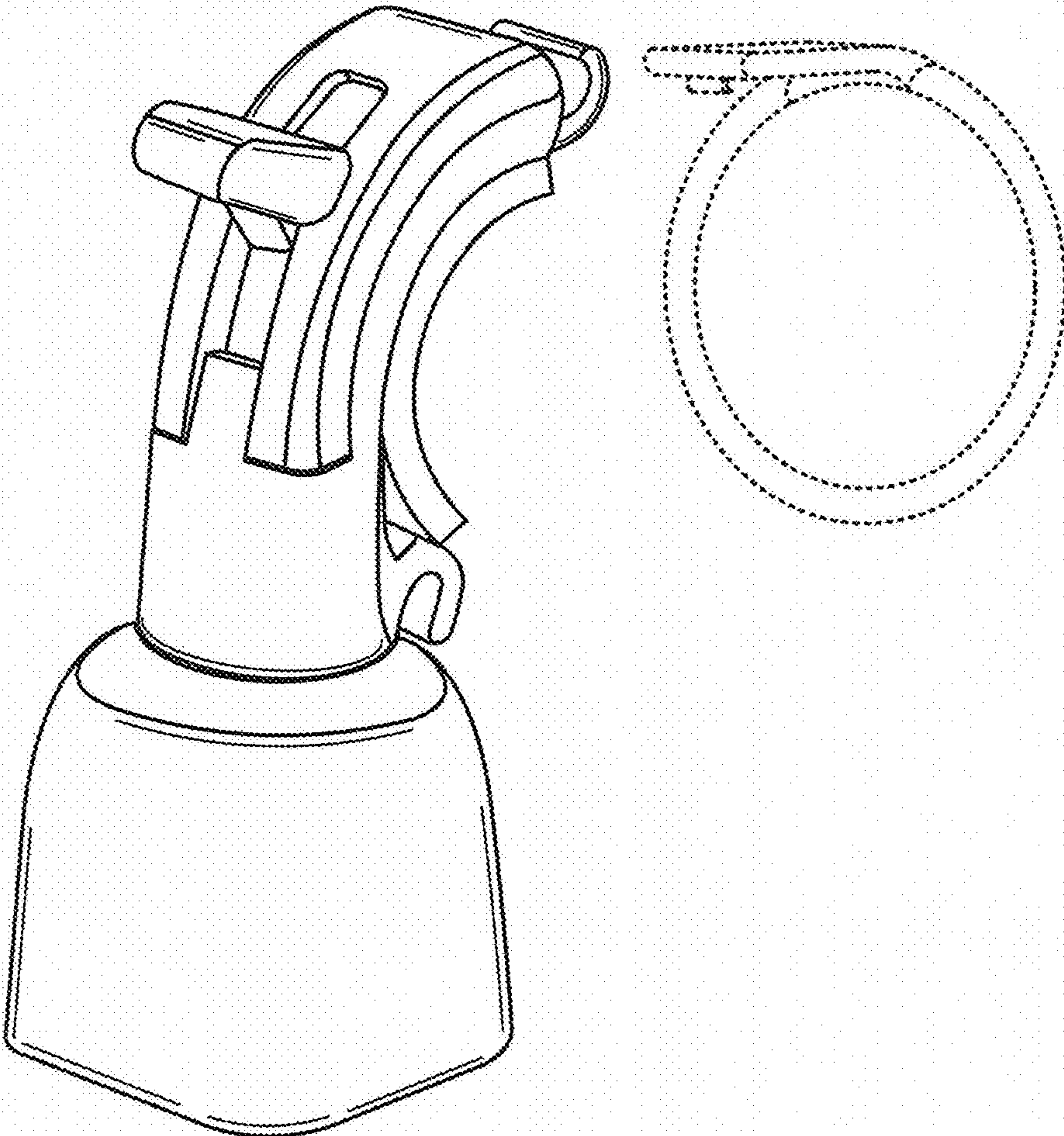


FIG. 1

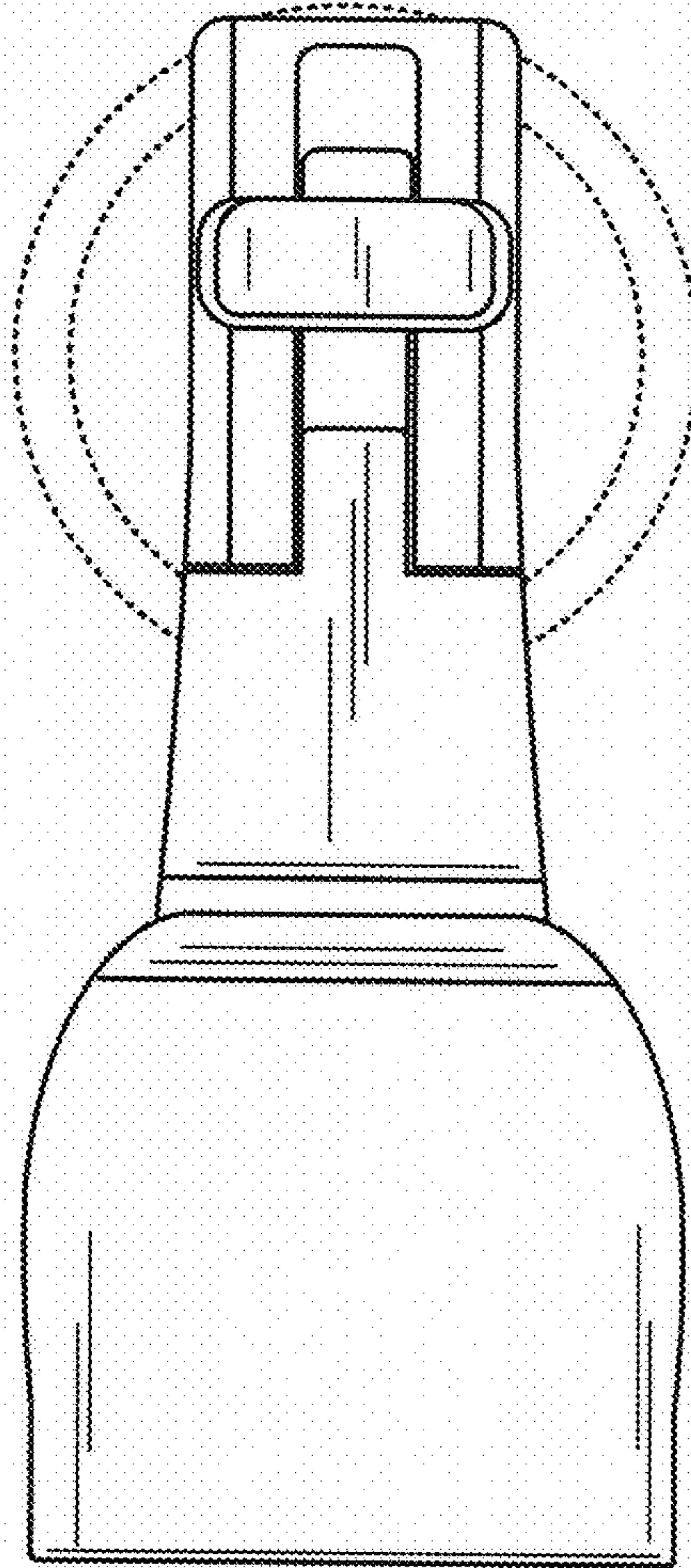


FIG. 2

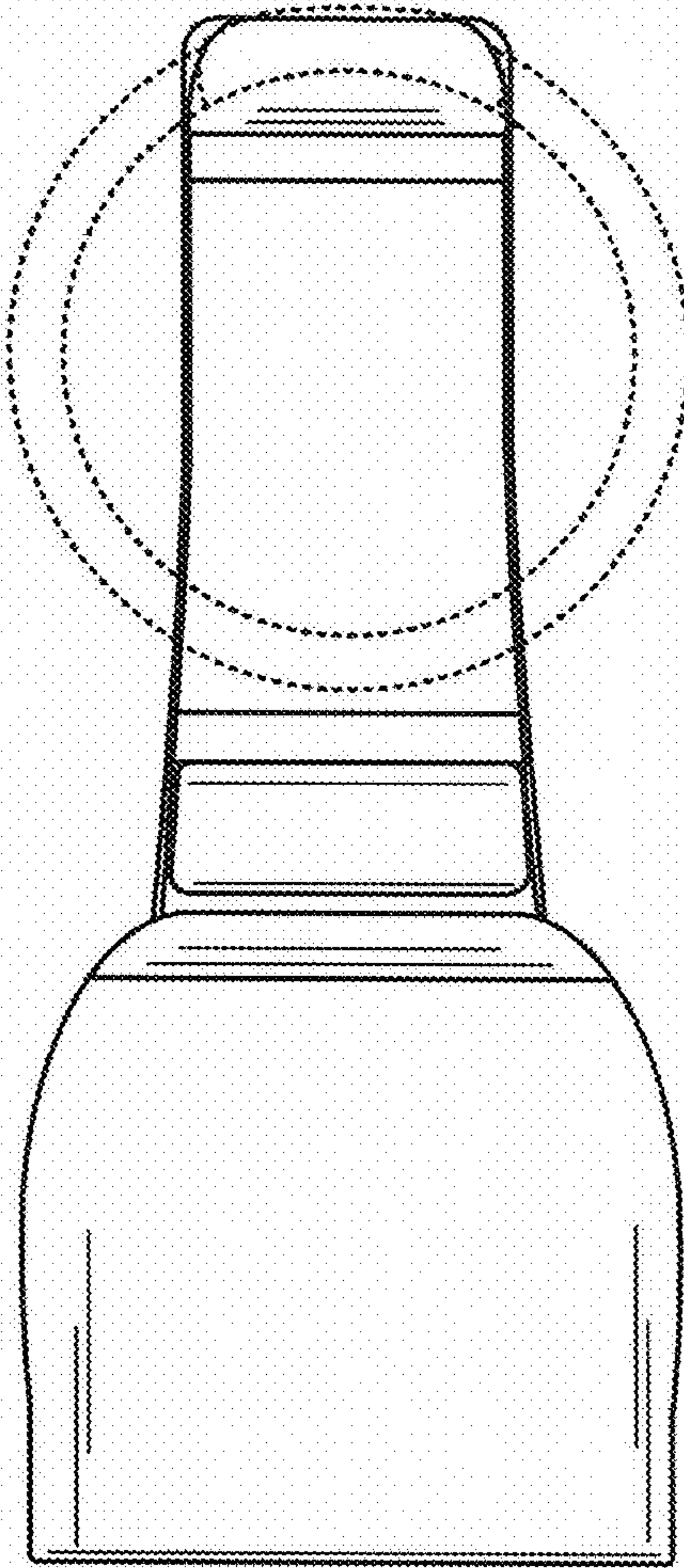


FIG. 3

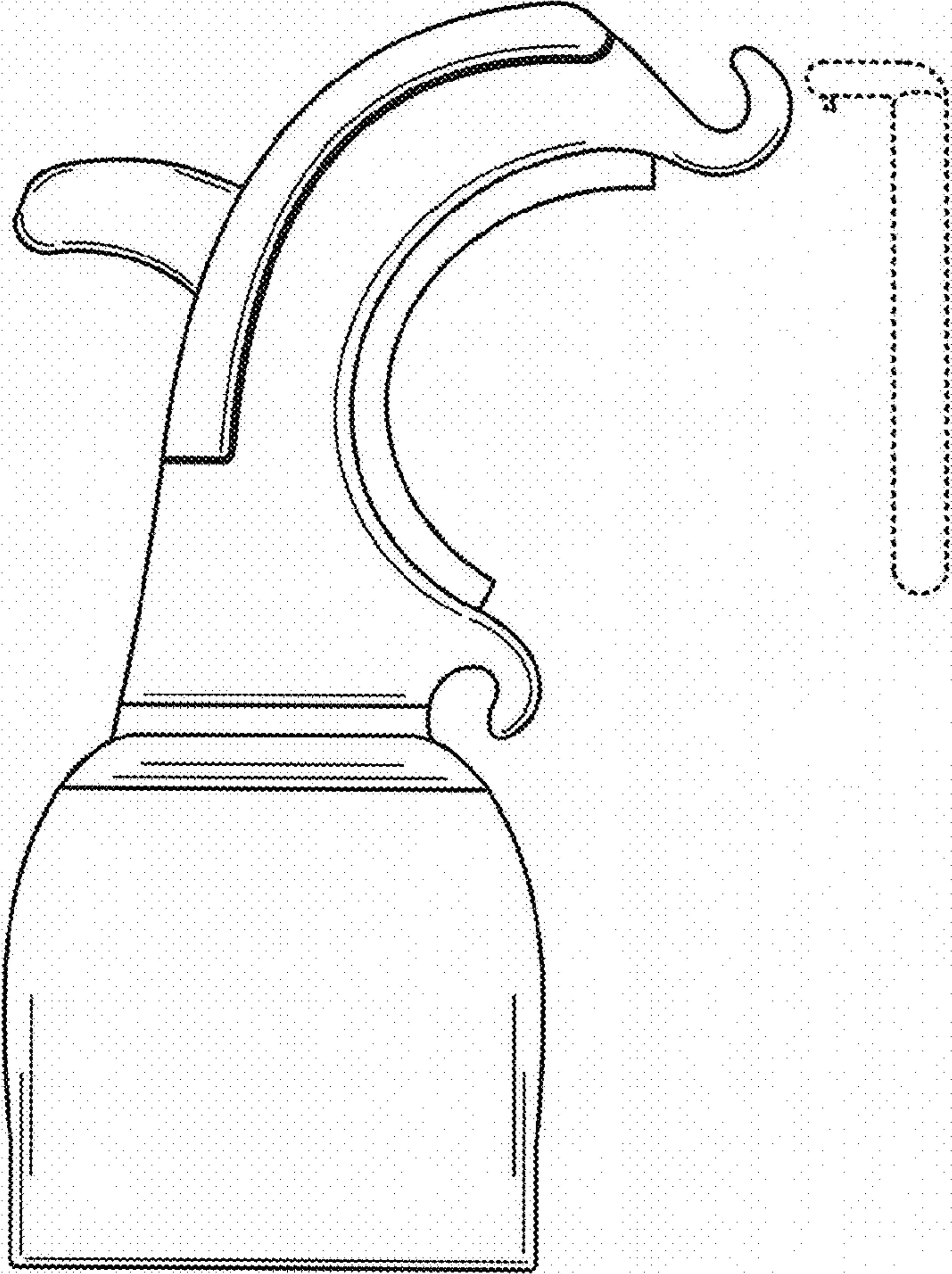


FIG. 4

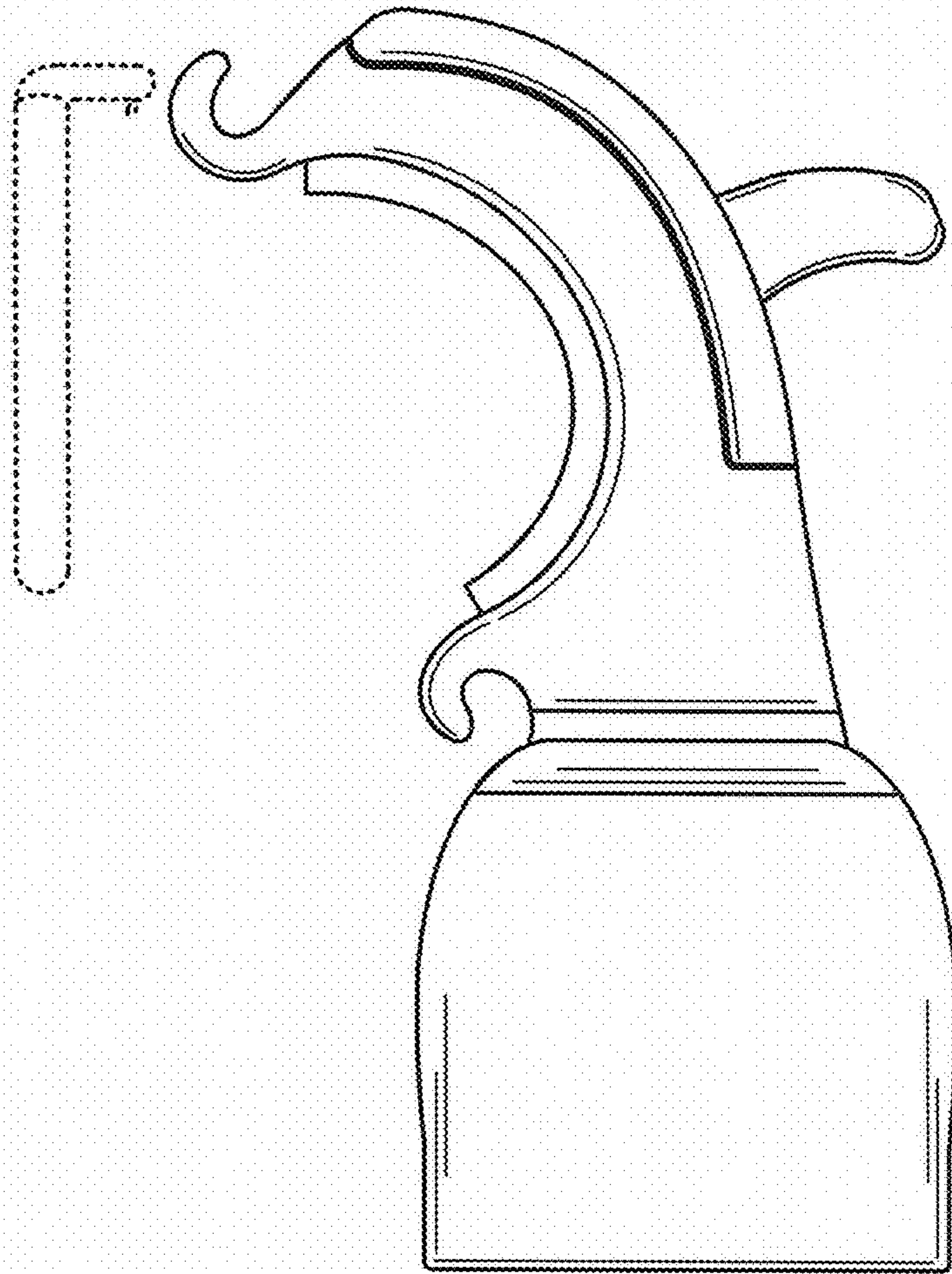


FIG. 5

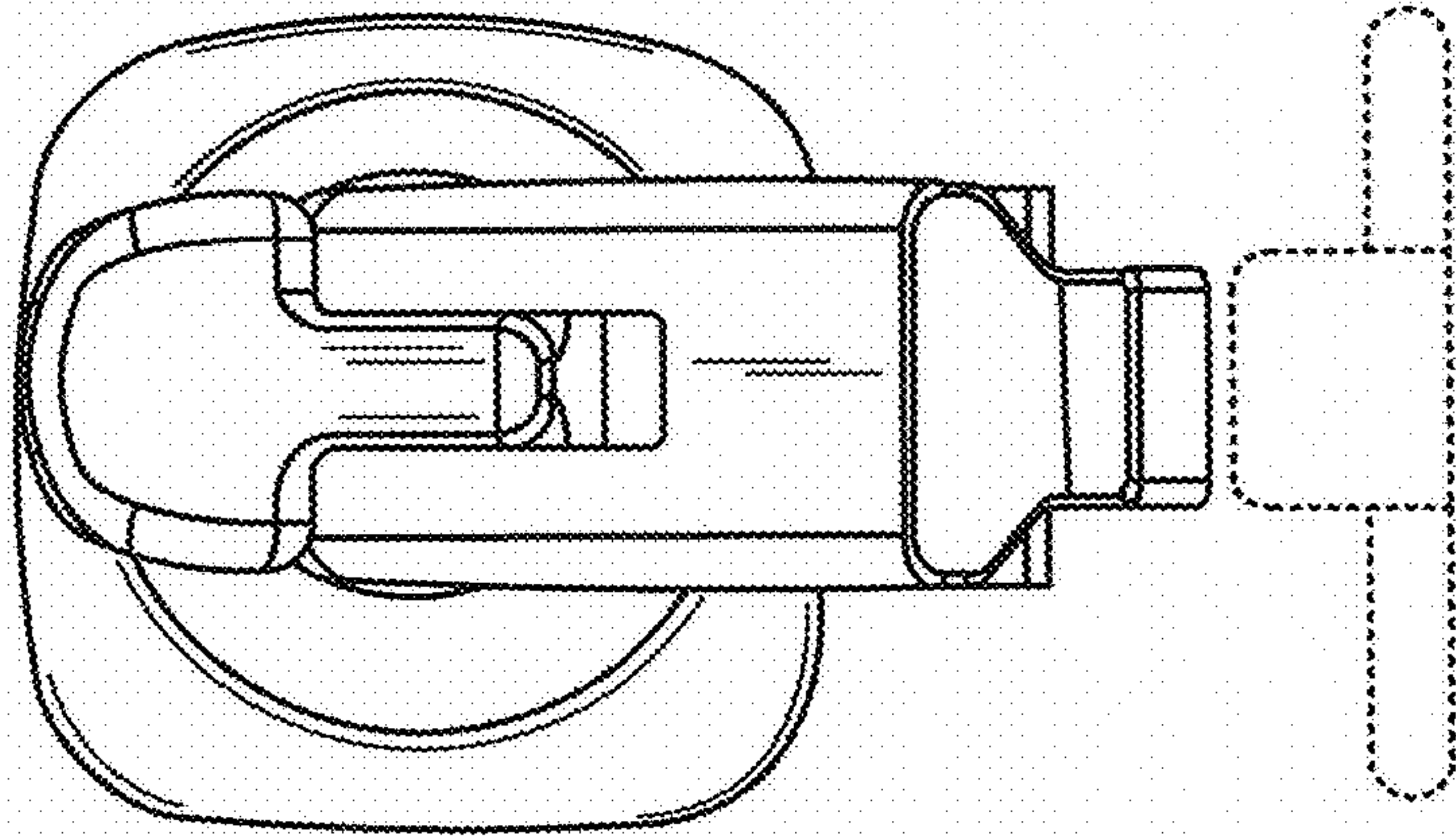


FIG. 6

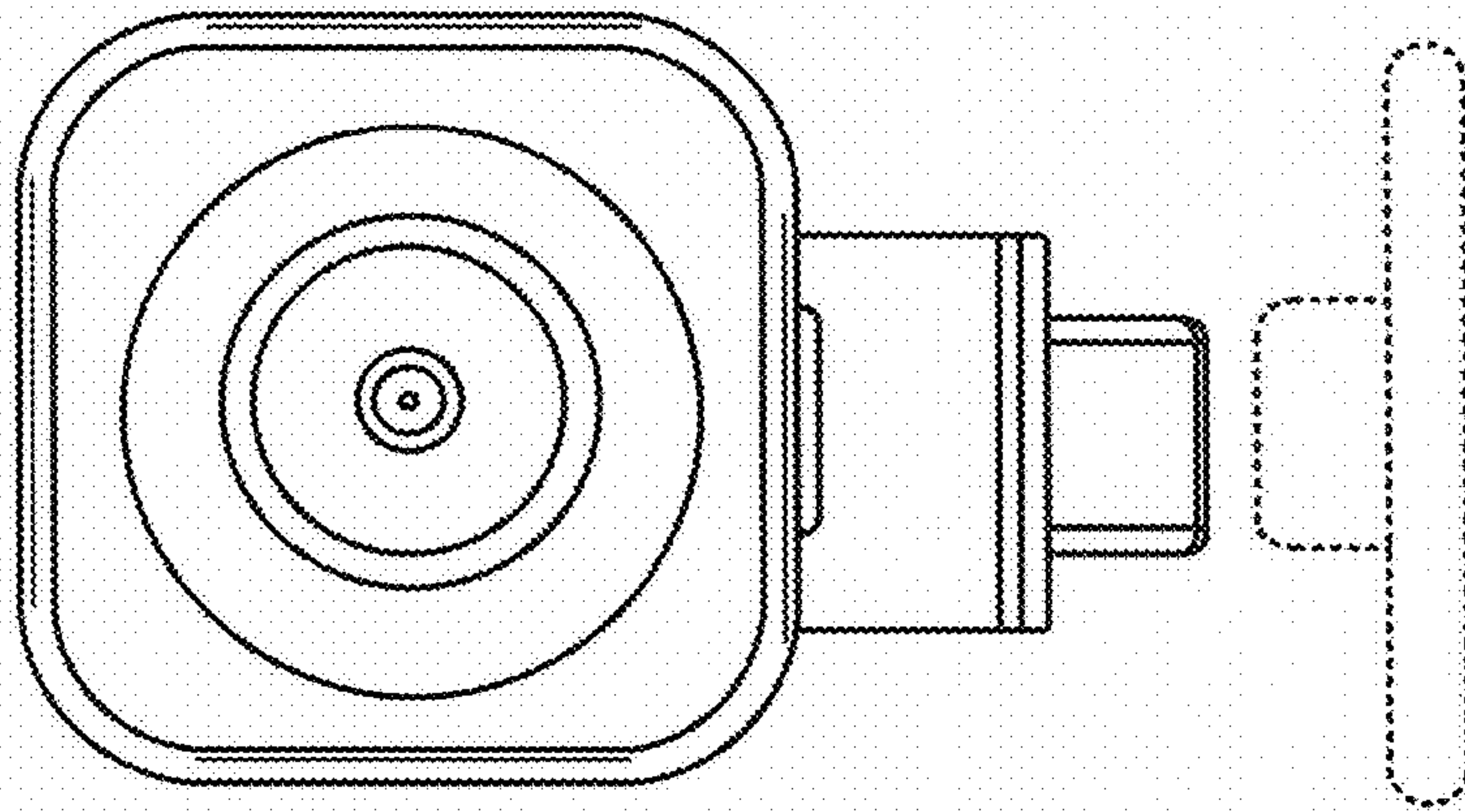


FIG. 7