



US00D774409S

(12) **United States Design Patent** (10) **Patent No.:** **US D774,409 S**  
**Kalanick et al.** (45) **Date of Patent:** **\*\* Dec. 20, 2016**

(54) **ILLUMINATABLE DEVICE**

(74) *Attorney, Agent, or Firm* — Mahamedi IP Law LLP

(71) Applicant: **Uber Technologies, Inc.**, San Francisco, CA (US)

(57) **CLAIM**

The ornamental design for an illuminatable device, as shown and described.

(72) Inventors: **Travis Kalanick**, San Francisco, CA (US); **Shalin Amin**, San Francisco, CA (US); **Strahan McMullen**, San Francisco, CA (US); **Yves Behar**, San Francisco, CA (US); **Noah Murphy-Reinhertz**, San Francisco, CA (US); **Liam Adelman**, San Francisco, CA (US); **Naoya Eda**, San Francisco, CA (US); **William Clark**, San Francisco, CA (US); **Stephen Braitsch**, San Francisco, CA (US)

**DESCRIPTION**

FIG. 1 is a perspective view of an illuminatable device for placement proximate to a windshield of a vehicle or a suitably dimensioned window environment, under a first embodiment.

FIG. 2 is a top view of the illuminatable device of FIG. 1. FIG. 3 is a bottom view of the illuminatable device of FIG. 1.

FIG. 4 is a front view of the illuminatable device of FIG. 1. FIG. 5 is a back view of the illuminatable device of FIG. 1. FIG. 6 is a left side view of the illuminatable device of FIG. 1.

FIG. 7 is a right side view of the illuminatable device of FIG. 1.

FIG. 8 is a perspective view of an illuminatable device for placement proximate to a windshield of a vehicle or a suitably dimensioned window environment, under a second embodiment.

FIG. 9 is a top view of the illuminatable device of FIG. 8. FIG. 10 is a bottom view of the illuminatable device of FIG. 8.

FIG. 11 is a front view of the illuminatable device of FIG. 8.

FIG. 12 is a back view of the illuminatable device of FIG. 8.

FIG. 13 is a left side view of the illuminatable device of FIG. 8; and,

FIG. 14 is a right side view of the illuminatable device of FIG. 8.

The broken lines shown in the drawings are for the purpose of illustrating the environment of the illuminatable device, and form no part of the claimed design.

(73) Assignee: **Uber Technologies, Inc.**, San Francisco, CA (US)

(\*\*) Term: **14 Years**

(21) Appl. No.: **29/509,004**

(22) Filed: **Nov. 13, 2014**

(51) **LOC (10) Cl.** ..... **10-05**

(52) **U.S. Cl.**  
USPC ..... **D10/114.9**

(58) **Field of Classification Search**  
USPC ..... D10/109.1, 114.1, 114.2, 114.4; D26/24, D26/120; D13/180  
See application file for complete search history.

(56) **References Cited**

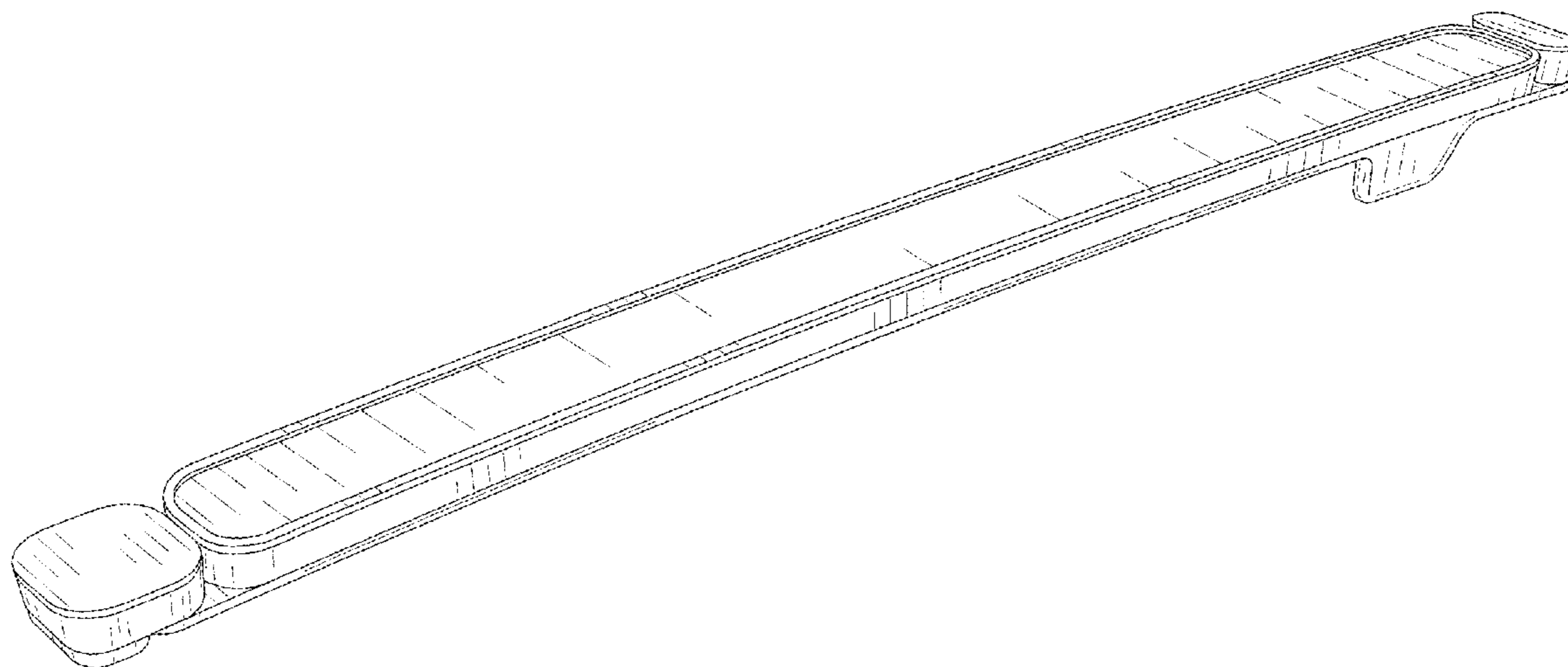
U.S. PATENT DOCUMENTS

1,707,965 A 4/1929 Scantlebury  
D116,605 S 9/1939 Houle

(Continued)

*Primary Examiner* — George D Kirschbaum

**1 Claim, 6 Drawing Sheets**



(56)

**References Cited**

U.S. PATENT DOCUMENTS

2,566,458	A	9/1951	Macau	
D308,543	S	6/1990	Hunter	
D331,980	S	12/1992	Henderson	
D350,367	S	9/1994	McKelvey	
D350,774	S	9/1994	King	
D366,126	S *	1/1996	Lin .....	D26/24
D394,881	S	6/1998	Patel	
D470,805	S *	2/2003	Criger .....	D12/182
D726,362	S *	4/2015	Kim .....	D13/180
D737,500	S *	8/2015	Santoro .....	D26/120
D744,040	S	11/2015	Schloss	
D755,658	S	5/2016	Daba	

\* cited by examiner

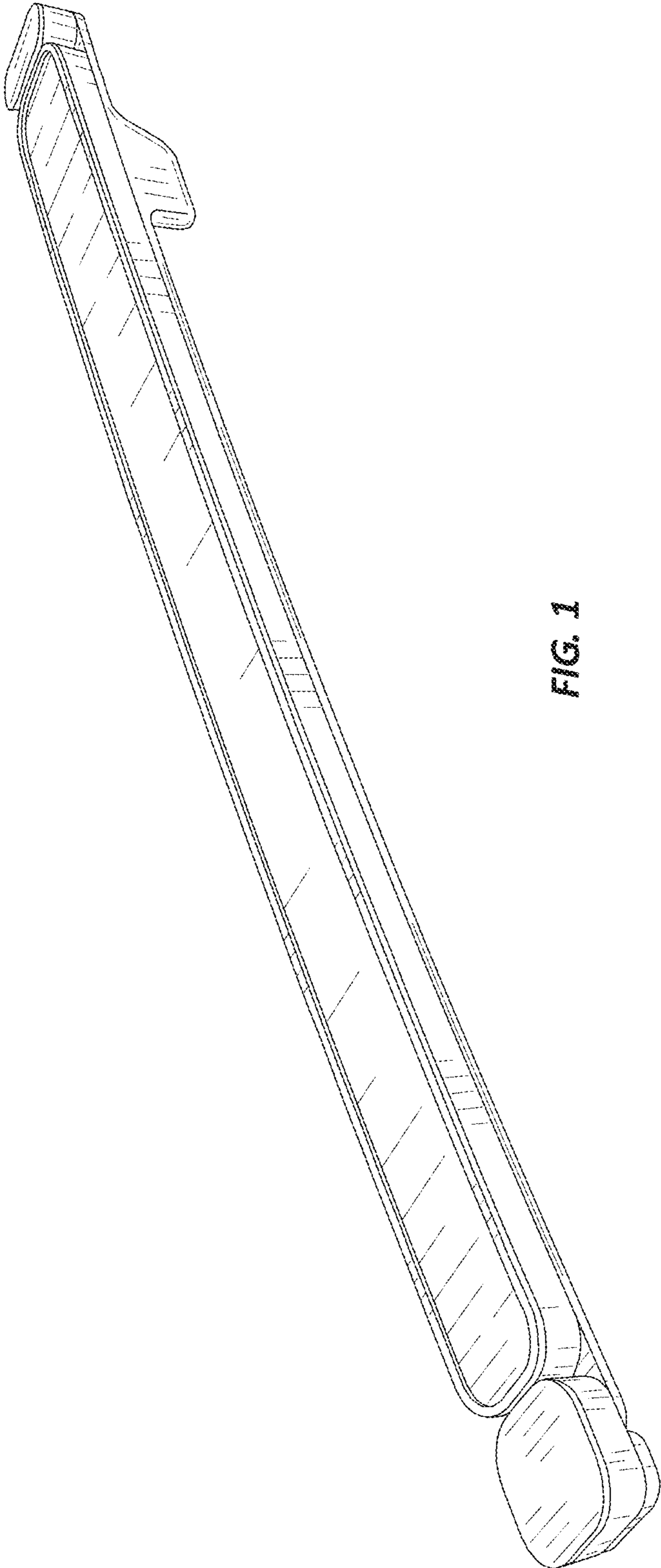


FIG. 1

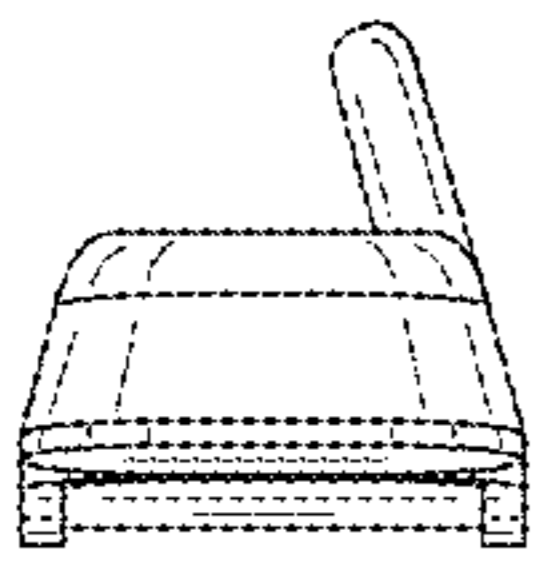


FIG. 2

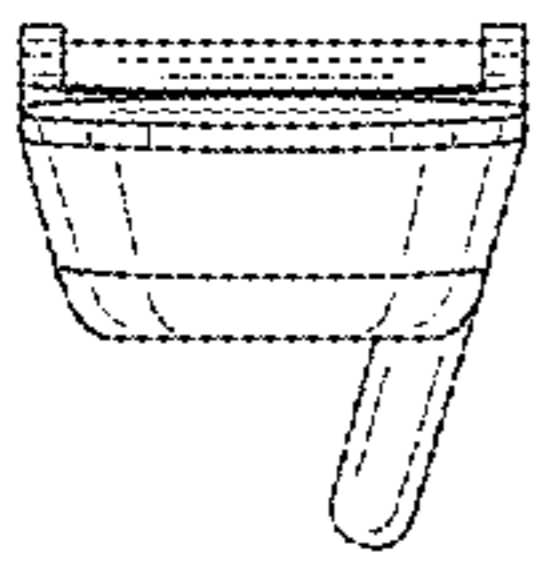


FIG. 3

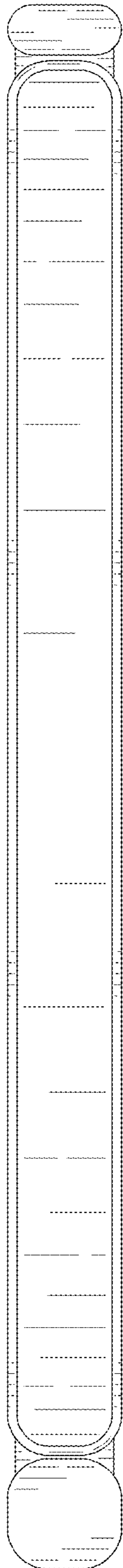


FIG. 4

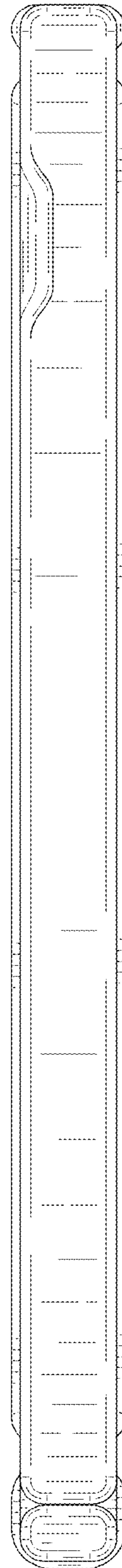


FIG. 5

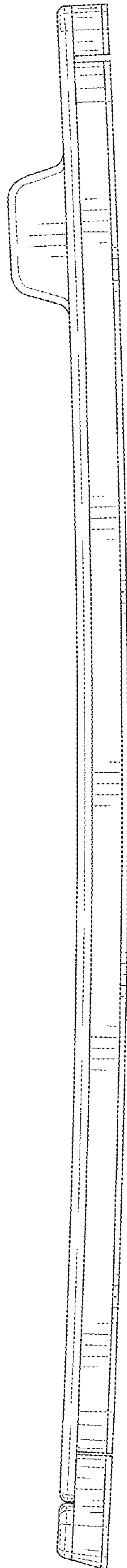


FIG. 6

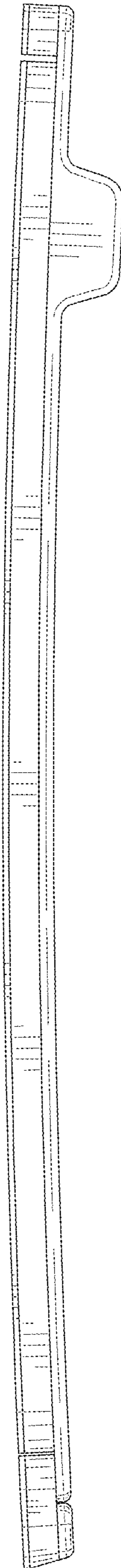


FIG. 7

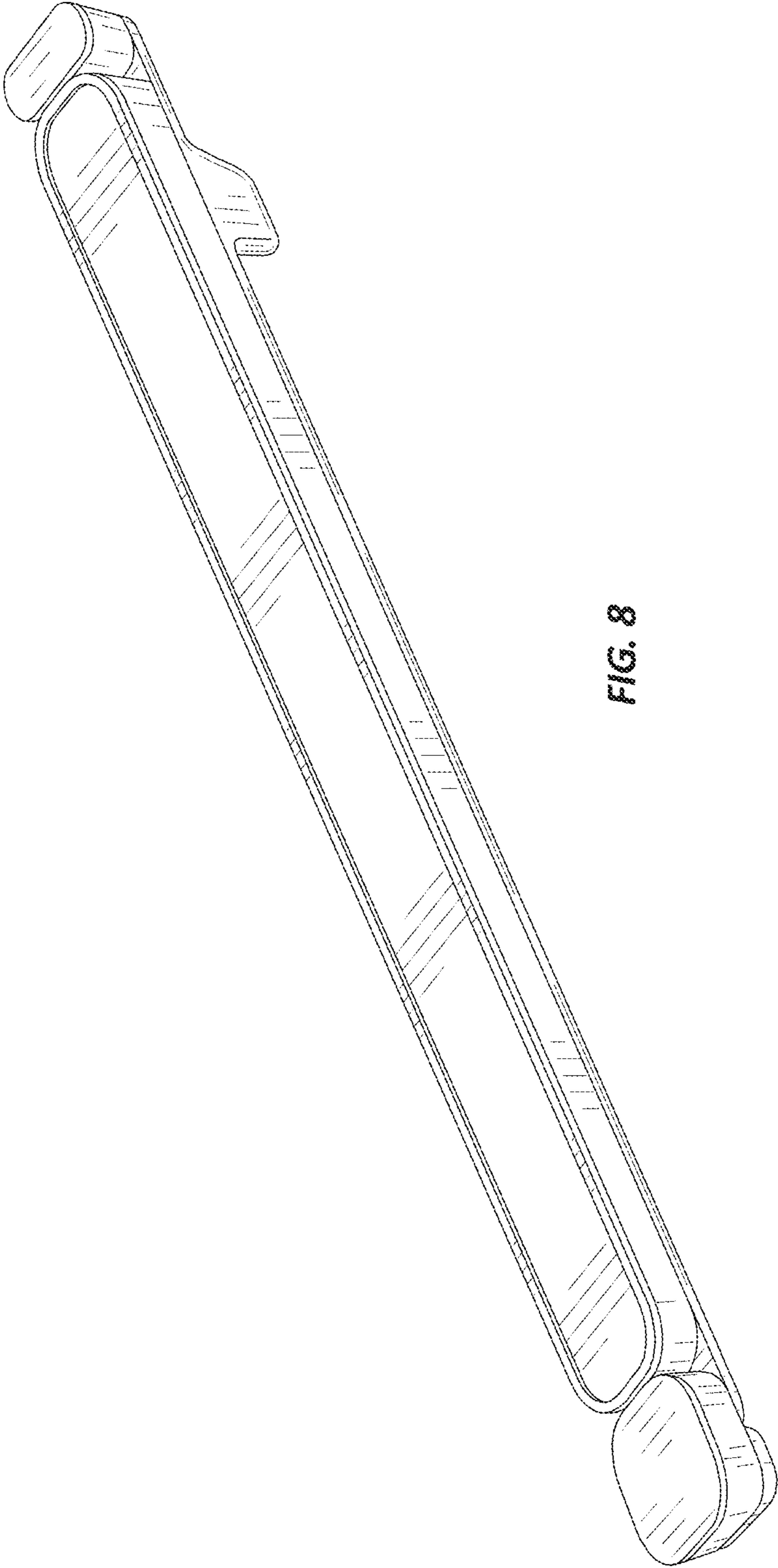


FIG. 8

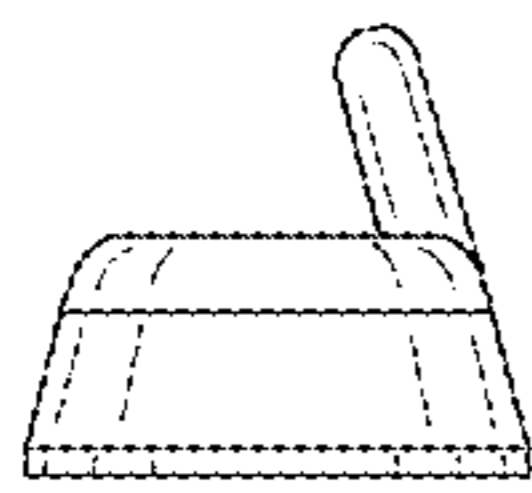


FIG. 9

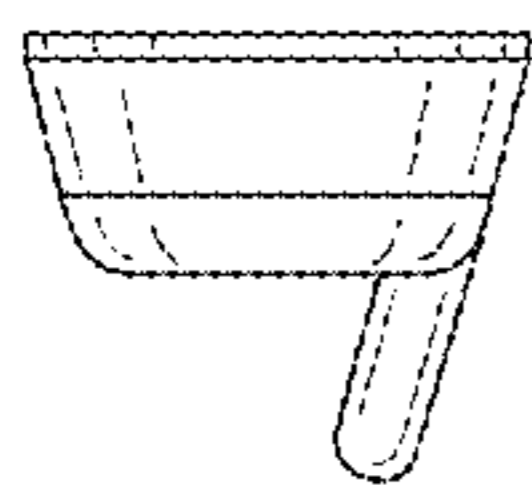


FIG. 10

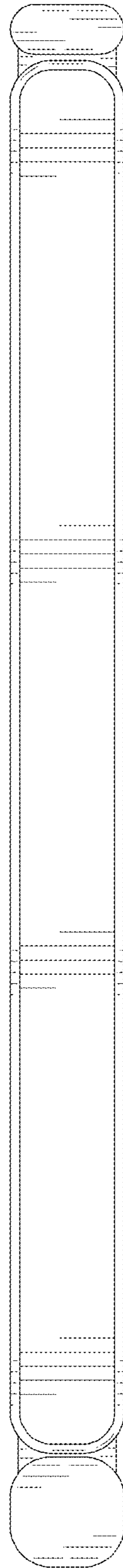


FIG. 11

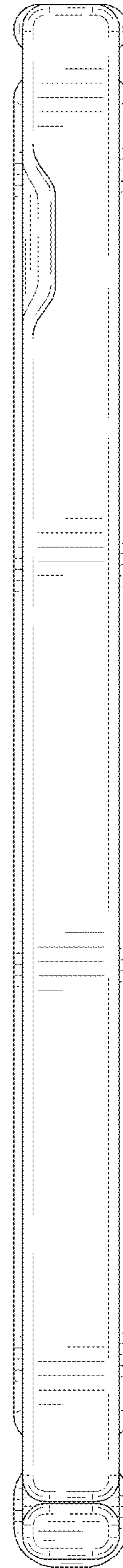


FIG. 12

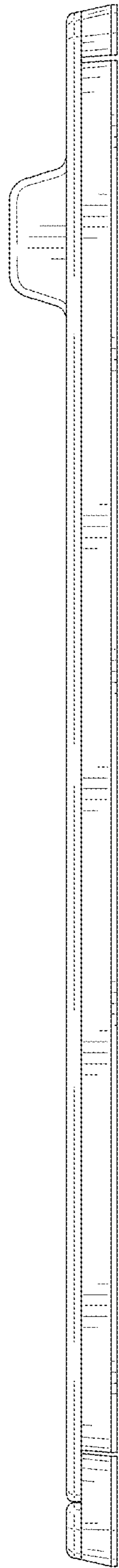


FIG. 13

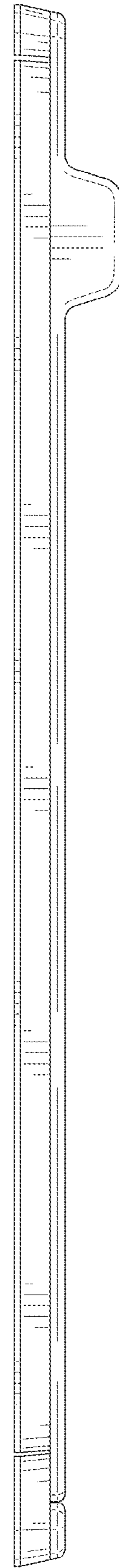


FIG. 14