



US00D774407S

(12) **United States Design Patent** (10) **Patent No.:** **US D774,407 S**
Khattak et al. (45) **Date of Patent:** **** Dec. 20, 2016**

(54) **CARTRIDGE OF AN ANALYTE DETECTION SYSTEM**

(71) Applicant: **CUE INC.**, San Diego, CA (US)

(72) Inventors: **Ayub Khattak**, San Diego, CA (US);
Clinton Sever, San Diego, CA (US)

(73) Assignee: **CUE INC.**, San Diego, CA (US)

(**) Term: **15 Years**

(21) Appl. No.: **29/545,014**

(22) Filed: **Nov. 9, 2015**

Related U.S. Application Data

(62) Division of application No. 29/490,660, filed on May 12, 2014, now Pat. No. Des. 745,423.

(51) **LOC (10) Cl.** **10-04**

(52) **U.S. Cl.**
USPC **D10/81; D24/129**

(58) **Field of Classification Search**
USPC D10/81; D24/129
CPC G01N 35/08; G01N 33/542; G01N 21/64;
G01N 33/48; G01N 1/00; G01N 21/00;
G01N 33/543; B01L 3/00; C40B 30/04;
C12M 1/34

See application file for complete search history.

(56) **References Cited**

U.S. PATENT DOCUMENTS

D298,166 S	10/1988	Chennault
D302,585 S	8/1989	Elliott
5,708,247 A	1/1998	McAleer et al.
5,935,804 A	8/1999	Laine et al.
6,523,560 B1	2/2003	Williams et al.

(Continued)

FOREIGN PATENT DOCUMENTS

EP	2 050 498 A1	4/2009
GB	2 430 032 A	3/2007

(Continued)

OTHER PUBLICATIONS

Supplementary Partial European Search Report in European Application No. 14779852.4, mailed Feb. 11, 2016.

(Continued)

Primary Examiner — Antoine D Davis

(74) *Attorney, Agent, or Firm* — Foley & Lardner LLP;
Antoinette F. Konski; Marshall J. Brown

(57) **CLAIM**

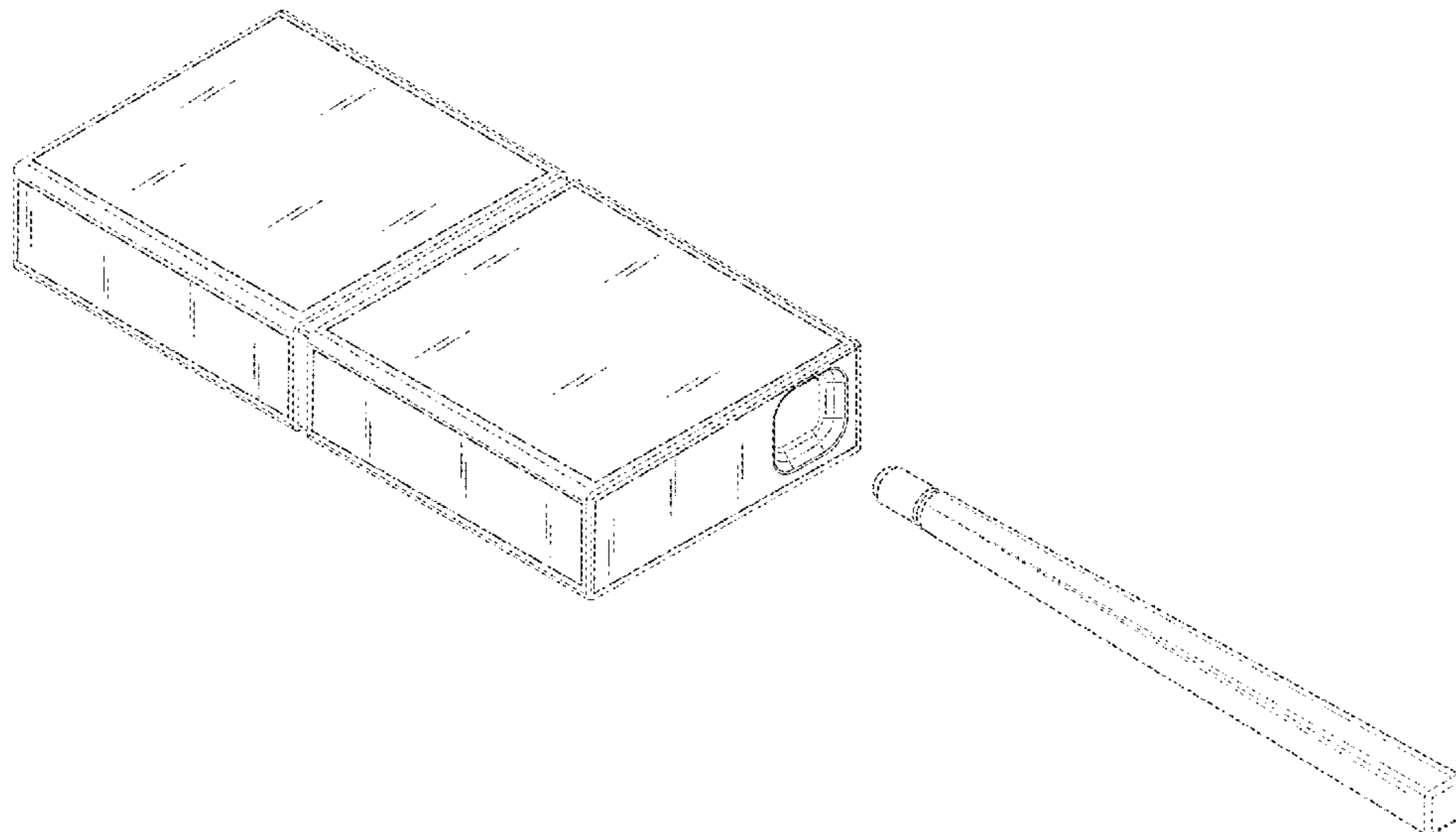
We claim the ornamental design for a cartridge of an analyte detection system, as shown and described.

DESCRIPTION

FIG. 1A is a top, front, and left side perspective view of a cartridge of an analyte detection system according to an exemplary embodiment, showing one possible exemplary embodiment of a sample collection device in dashed lines; FIG. 1B is a left side view thereof; FIG. 1C is a right side view thereof; FIG. 1D is a top view thereof; FIG. 1E is a bottom view thereof; FIG. 1F is a front view thereof; FIG. 1G is a rear view thereof; and, FIG. 1H is an exploded view thereof.

The ornamental design which is claimed is shown in solid lines in the drawings. The broken lines formed by dashes show unclaimed subject matter and form no part of the claimed design. Broken lines formed by unequal length dashes (i.e., dash-dot) define boundaries of the claimed design.

1 Claim, 5 Drawing Sheets



(56)

References Cited

U.S. PATENT DOCUMENTS

D472,975 S 4/2003 Iori et al.
 6,893,879 B2 5/2005 Petersen et al.
 7,118,667 B2 10/2006 Lee
 7,195,036 B2 3/2007 Burns et al.
 D542,931 S 5/2007 Pukall et al.
 7,285,412 B2 10/2007 Casagrande et al.
 7,291,497 B2 11/2007 Holmes et al.
 7,432,106 B2 10/2008 Cox
 7,478,792 B2 1/2009 Oh et al.
 D591,864 S 5/2009 Schmidt
 D600,578 S 9/2009 Tsuji
 7,635,594 B2 12/2009 Holmes et al.
 7,888,125 B2 2/2011 Gibbons et al.
 7,981,696 B2 7/2011 Moreland et al.
 8,007,999 B2 8/2011 Holmes et al.
 8,008,034 B2 8/2011 Gibbons et al.
 8,012,744 B2 9/2011 Gibbons et al.
 D646,189 S 10/2011 Dinter et al.
 8,071,054 B2 12/2011 Oh et al.
 8,101,402 B2 1/2012 Holmes
 8,202,697 B2 6/2012 Holmes
 8,216,832 B2 7/2012 Battrell et al.
 8,265,955 B2 9/2012 Michelson et al.
 8,283,155 B2 10/2012 Holmes et al.
 8,361,808 B2 1/2013 Wang
 D679,025 S 3/2013 Motadel et al.
 8,435,738 B2 5/2013 Holmes
 8,449,842 B2 5/2013 Knopp et al.
 8,470,524 B2 6/2013 Gibbons et al.
 8,475,739 B2 7/2013 Holmes et al.
 8,551,714 B2 10/2013 Jovanovich et al.
 8,562,918 B2 10/2013 Jovanovich et al.
 8,669,047 B2 3/2014 Holmes et al.
 8,679,407 B2 3/2014 Holmes et al.
 D707,847 S 6/2014 Motadel et al.
 8,741,230 B2 6/2014 Holmes et al.
 8,778,665 B2 7/2014 Gibbons et al.
 D718,462 S 11/2014 Cook et al.
 D719,666 S 12/2014 Manian
 9,034,168 B2 5/2015 Khattak et al.
 9,052,275 B2 6/2015 Khattak et al.
 9,086,417 B2 7/2015 Khattak et al.
 D745,185 S * 12/2015 Kimura D10/81
 D745,423 S 12/2015 Khattak et al.
 9,207,244 B2 12/2015 Khattak et al.
 9,207,245 B2 12/2015 Khattak
 2002/0002326 A1 1/2002 Causey et al.
 2002/0137234 A1 9/2002 Wohlstadter et al.
 2003/0019522 A1 1/2003 Parunak
 2004/0173456 A1 9/2004 Boos et al.
 2004/0189311 A1 9/2004 Glezer et al.
 2005/0136529 A1 6/2005 Yang et al.
 2005/0178700 A1 8/2005 Tyvoll et al.
 2006/0131994 A1 6/2006 D'Angelico et al.
 2006/0207891 A1 9/2006 Althaus et al.
 2006/0243591 A1 11/2006 Plotkin et al.
 2007/0154922 A1 7/2007 Collier et al.
 2007/0184547 A1 8/2007 Handique et al.
 2008/0124779 A1 5/2008 Oh et al.
 2008/0160601 A1 7/2008 Handique
 2008/0160622 A1 7/2008 Su et al.
 2008/0160630 A1 7/2008 Liu et al.
 2008/0182301 A1 7/2008 Handique et al.
 2008/0302193 A1 12/2008 Bommarito et al.
 2009/0061450 A1 3/2009 Hunter
 2010/0236340 A1 9/2010 Lee et al.
 2010/0297708 A1 11/2010 Collier et al.
 2010/0331652 A1 12/2010 Groll et al.
 2011/0059468 A1 3/2011 Earhart et al.
 2011/0129841 A1 6/2011 Heid et al.
 2011/0165562 A1 7/2011 Pourahmadi et al.
 2011/0171754 A1 7/2011 Redmond et al.
 2012/0009588 A1 1/2012 Rajagopal et al.
 2012/0071342 A1 3/2012 Lochhead et al.
 2012/0164036 A1 6/2012 Stern et al.

2012/0180580 A1 7/2012 Immink et al.
 2012/0190589 A1 7/2012 Anderson et al.
 2012/0267258 A1 10/2012 Uraoka et al.
 2012/0271127 A1 10/2012 Battrell et al.
 2013/0011210 A1 1/2013 Toner et al.
 2013/0085680 A1 4/2013 Arlen et al.
 2013/0244339 A1 9/2013 Ehrenkranz et al.
 2013/0273528 A1 10/2013 Ehrenkranz
 2013/0309778 A1 11/2013 Lowe et al.
 2014/0027286 A1 1/2014 Ikegami et al.
 2014/0030717 A1 1/2014 Zhong et al.
 2014/0194305 A1 7/2014 Kayyem et al.
 2014/0336083 A1 11/2014 Khattak et al.
 2015/0129049 A1 5/2015 Khattak et al.

FOREIGN PATENT DOCUMENTS

JP 2007-505319 3/2007
 JP 2009-531064 9/2009
 JP 2012-504956 3/2012
 JP 2012-528995 11/2012
 WO WO-2005/026689 3/2005
 WO WO-2007/112114 A2 10/2007
 WO WO-2010/036808 A1 4/2010
 WO WO-2010/041231 4/2010
 WO WO-2010/140128 12/2010
 WO WO-2012/147426 11/2012
 WO WO-2012/170703 A1 12/2012
 WO WO-2013/136115 A1 9/2013
 WO WO-2013/144643 A2 10/2013

OTHER PUBLICATIONS

Anderson, J.C. et al.(2008) "Thermally-Actuated Microfluidic Systems," JALA 13:65-72.
 Beyor, N. et al. (2008) "Immunomagnetic bead-based cell concentration microdevice for dilute pathogen detection," Biomed Microdevices 10:909-917.
 Cecchet, F. et al. (2006) "Redox Mediation at 11-Mercaptoundecanoic Acid Self-Assembled Monolayers on Gold," J. Phys. Chem. B 110:2241-2248.
 Chen, Z. et al. (2005) "Thermally-actuated, phase change flow control for microfluidic systems," Lab Chip 5:1277-1285.
 Cho, H. et al. (2007) "How the capillary burst microvalve works," Journal of Colloid and Interface Science 306:379-385.
 Clinical IVD Products: Liat™ Analyzer; IQuum, Inc.: <http://www.iquum.com/products/analyzer.shtml>. Last accessed May 5, 2014.
 Fan, R. et al. (2008) "Integrated barcode chips for rapid, multiplexed analysis of proteins in microliter quantities of blood," Nature Biotechnology 26(12):1373-1378.
 Ferguson, B.S. et al. (2009) "Integrated Microfluidic Electrochemical DNA Sensor," Anal. Chem. 81:6503-6508.
 Henares, T.G. et al. (2007) "Integration of Multianalyte Sensing Functions on a Capillary-Assembled Microchip: Simultaneous Determination of Ion Concentrations and Enzymatic Activities by a "Drop-and-Sip" Technique," Anal. Chem. 79:908-915.
 Jagannathan, H. et al. (2001) "Micro-Fluidic Channels with Integrated Ultrasonic Transducers," IEEE Ultrasonics Symposium:859-862.
 Kaigala, G.V. et al. (2008) "Electrically controlled microvalves to integrate microchip polymerase chain reaction and capillary electrophoresis," Lab Chip 8:1071-1078.
 Kim, D. et al. (2007) "A Bi-Polymer Micro One-Way Valve," Sensors and Actuators A 136:426-433.
 Kinoshita, T. et al. (2007) "Functionalization of Magnetic Gold/Iron-Oxide Composite Nanoparticles with Oligonucleotides and Magnetic Separation of Specific Target," J. of Magnetism and Magnetic Materials 311:255-258.
 Kwakye, S. et al. (2006) "Electrochemical Microfluidic Biosensor for Nucleic Acid Detection with Integrated Minipotentostat," Biosensors and Bioelectronics 21: 2217-2223.
 Laschi, S. et al. (2010) "A New Gravity-Driven Microfluidic-Based Electrochemical Assay Coupled to Magnetic Beads for Nucleic Acid Detection," Electrophoresis 31: 3727-3736.

(56)

References Cited

OTHER PUBLICATIONS

- Lawi, W. et al. (2009) "A Microfluidic Cartridge System for Multiplexed Clinical Analysis," *J. Assoc. Laboratory Automation* 14(6):407-412.
- Lee, C.S. et al. (2001) "Microelectromagnets for the Control of Magnetic Nanoparticles," *Applied Physics Letters* 79(20):3308-3310.
- Lillehoj, P.B. et al. (2010) "A Self-Pumping Lab-on-a-Chip for Rapid Detection of Botulinum Toxin," *Lab Chip* 10: 2265-2270.
- Liu, R.H. et al. (2004) "Self-Contained, Fully Integrated Biochip for Sample Preparation, Polymerase Chain Reaction Amplification, and DNA Microarray Detection," *Analytical Chemistry* 76(7):1824-1831.
- Liu, R.H. et al. (2004) "Single-use, Thermally Actuated Paraffin Valves for Microfluidic Applications," *Sensors and Actuators B* 98:328-336.
- Lomas, N. (2014) "Cue Is a Connected Lab-In-A-Box for On-Demand Health Testing At Home," *TechCrunch*.
- Marentis, T.C. et al. (2005) "Microfluidic Sonicator for Real-Time Disruption of Eukaryotic Cells and Bacterial Spores for DNA Analysis," *Ultrasound in Med. & Biol.* 31(9):1265-1277.
- Mrksich, M. et al. (1997) "Using Self-Assembled Monolayers that Present Oligo(ethylene glycol) Groups to Control the Interactions of Proteins with Surfaces," *American Chemical Society Symposium Series* 680:361-373.
- Prindle, D. (2014) "Sick? Need more vitamin D? Testosterone? Lick a stick and Cue fills you in," www.digitaltrends.com.
- Rida, A. et al. (2004) "Manipulation of Self-Assembled Structures of Magnetic Beads for Microfluidic Mixing and Assaying," *Analytical Chemistry* 76(21):6239-6246.
- Roderee, K. et al. (2011) "DNA Hybridization Enhancement Using Piezoelectric Microagitation through a Liquid Coupling Medium," *Lab Chip*, doi:10.1039/C0LC00419G.
- Sharma, V. et al. (2007) "Surface Characterization of Plasma-Treated and PEG-Grafted PDMS for Micro Fluidic Applications," *Vacuum* 81:1094-1100.
- Shin, Y.S. et al. (2010) "Chemistries for Patterning Robust DNA MicroBarcodes Enable Multiplex Assays of Cytoplasm Proteins from Single Cancer Cells," *ChemPhysChem* 11:3063-3069.
- Simplexa™ Flu A/B & RSV Direct Kit; Focus Diagnostics, Inc.: <https://www.focusdx.com/product/MOL2650>. Last accessed May 5, 2014.
- Taylor, M.T. et al. (2001) "Lysing Bacterial Spores by Sonication through a Flexible Interface in a Microfluidic System," *Analytical Chemistry* 73(3):492-496.
- The FilmArray System; Biofire Diagnostics, Inc.: <http://filmarray.com/the-panels/>. Last accessed May 5, 2014.
- Wang, J. (2002) "Portable Electrochemical Systems," *Trends in Analytical Chemistry* 21(4):226-232.
- Wang, J. et al. (2005) "Self-Actuated, Thermo-Responsive Hydrogel Valves for Lab on a Chip," *Biomedical Microdevices* 7(4):313-322.
- Wang, J. et al. (2010) "A Self-Powered, One-Step Chip for Rapid, Quantitative and Multiplexed Detection of Proteins from Pinpricks of Whole Blood," *Lab Chip* 10:3157-3162.
- Wu, C. et al. (2011) "Ultrasonication on a Microfluidic Chip to Lyse Single and Multiple Pseudo-Nitzschia for Marine Biotoxin Analysis," *Biotechnology Journal* 6:150-155.
- Xpert® Flu; Cepheid: <http://www.cepheid.com/us/cepheid-solutions/clinical-ivd-tests/critical-infectious-diseases/xpert-flu>. Last accessed May 5, 2014.
- Yoshioka, K. et al. (2010) "Suppression of Non-specific Adsorption Using Densified Tri(ethylene glycol) Alkanethiols: Monolayer Characteristics Evaluated by Electrochemical Measurements," *Analytical Sciences* 26:33-37.
- Ziegler, J. et al. (2008) "High-Performance Immunoassays Based on Through-Stencil Patterned Antibodies and Capillary Systems," *Analytical Chemistry* 80(5):1763-1769.
- Non-Final Office Action in U.S. Appl. No. 14/205,146, mailed Sep. 26, 2014.
- Final Office Action in U.S. Appl. No. 14/205,146, mailed Apr. 3, 2015.
- Notice of Allowance in U.S. Appl. No. 14/205,146, mailed Oct. 22, 2015.
- Non-Final Office Action in U.S. Appl. No. 14/479,149, mailed Jan. 13, 2015.
- Notice of Allowance in U.S. Appl. No. 14/479,149, mailed Mar. 6, 2015.
- Non-Final Office Action in U.S. Appl. No. 14/543,842, mailed Feb. 12, 2015.
- Notice of Allowance in U.S. Appl. No. 14/543,842, mailed Apr. 24, 2015.
- Notice of Allowance in U.S. Appl. No. 14/599,365, mailed May 1, 2015.
- Restriction Requirement in U.S. Appl. No. 14/599,369, mailed May 7, 2015.
- Non-Final Office Action in U.S. Appl. No. 14/599,369, mailed Aug. 18, 2015.
- Final Office Action in U.S. Appl. No. 14/599,369, mailed Jan. 4, 2016.
- Non-Final Office Action in U.S. Appl. No. 14/599,372, mailed Mar. 27, 2015.
- Notice of Allowance in U.S. Appl. No. 14/599,372, mailed Sep. 14, 2015.
- Non-Final Office Action in U.S. Appl. No. 14/599,375, mailed Jun. 19, 2015.
- Notice of Allowance in U.S. Appl. No. 14/599,375, mailed Aug. 26, 2015.
- Non-Final Office Action in U.S. Appl. No. 14/954,817, mailed Feb. 2, 2016.
- Office Action in Design U.S. Appl. No. 29/490,660, mailed Jun. 25, 2014.
- Restriction Requirement in Design U.S. Appl. No. 29/490,660, mailed Jun. 2, 2015.
- Notice of Allowance in Design U.S. Appl. No. 29/490,660, mailed Aug. 20, 2015.
- International Search Report and Written Opinion (ISA/EP) for International Application No. PCT/US2015/049439, mailed Dec. 7, 2015.
- International Search Report and Written Opinion (ISA/KR) for International Application No. PCT/US2014/023821, mailed Jul. 7, 2014.
- Non-Final Office Action in U.S. Appl. No. 14/205,146, mailed Apr. 6, 2016.
- Notice of Allowance in U.S. Appl. No. 14/599,369, mailed Apr. 22, 2016.
- Corrected Notice of Allowability in U.S. Appl. No. 14/599,369, mailed May 11, 2016.
- Final Office Action in U.S. Appl. No. 14/954,817, mailed May 23, 2016.
- Extended European Search Report in European Patent Application No. 14779852.4, mailed Jul. 20, 2016.

* cited by examiner

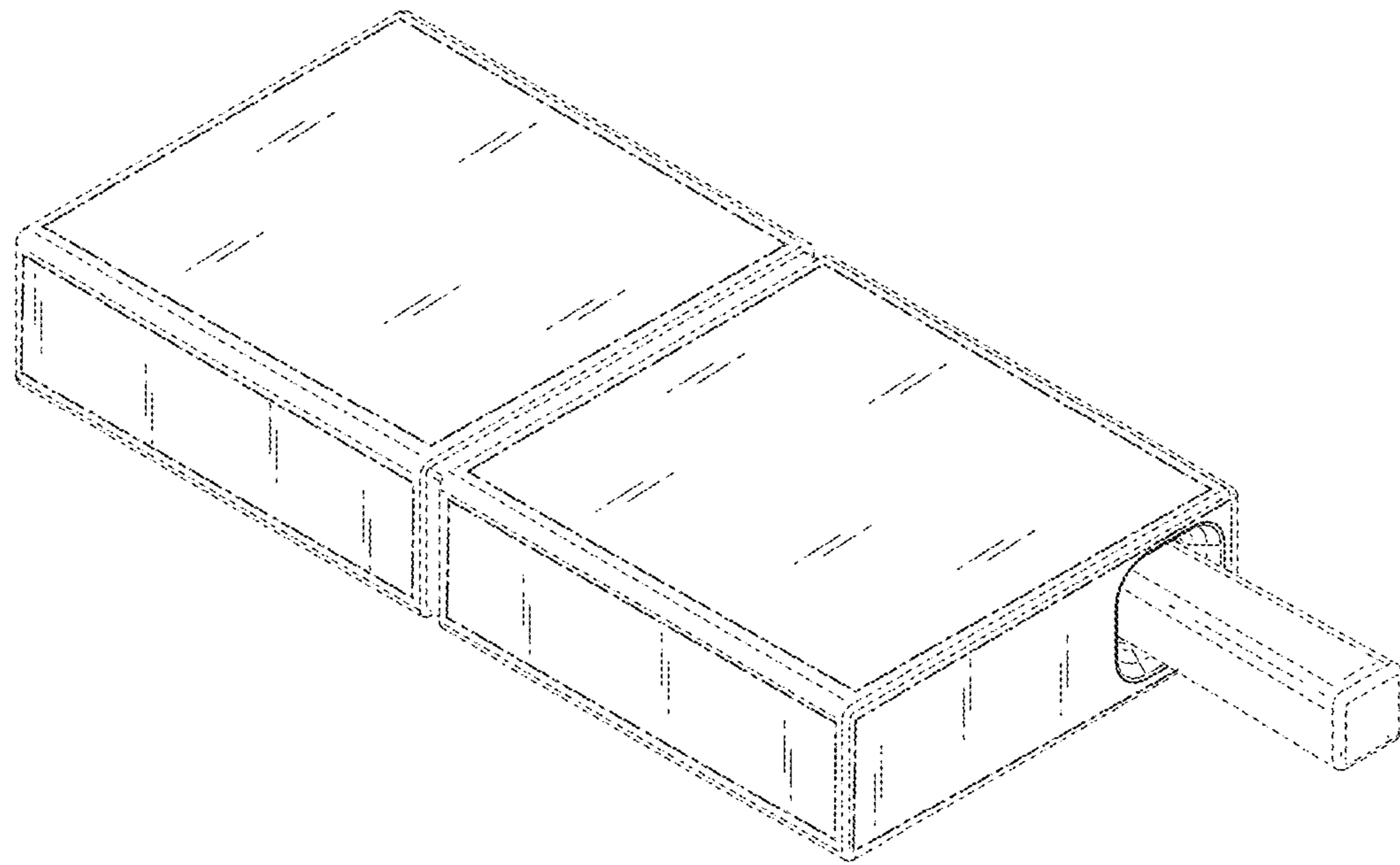


FIG. 1A

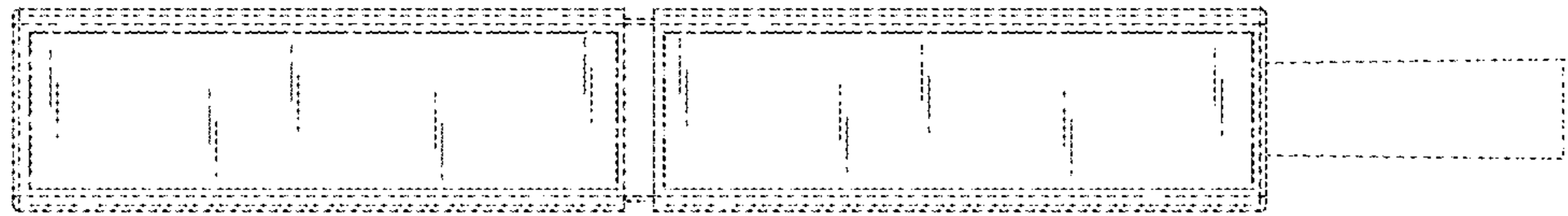


FIG. 1B

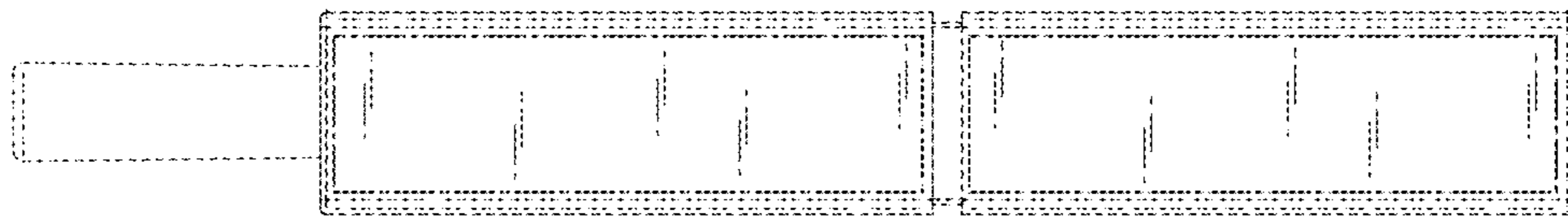


FIG. 1C

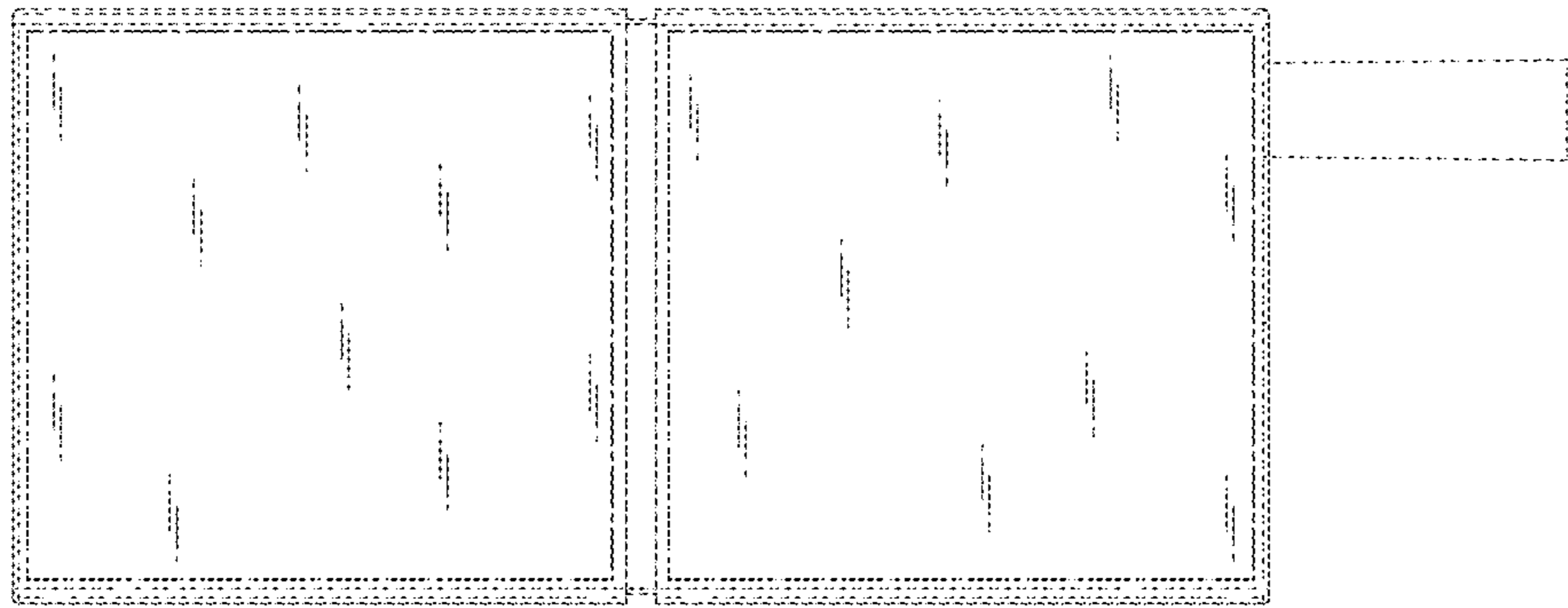


FIG. 1D

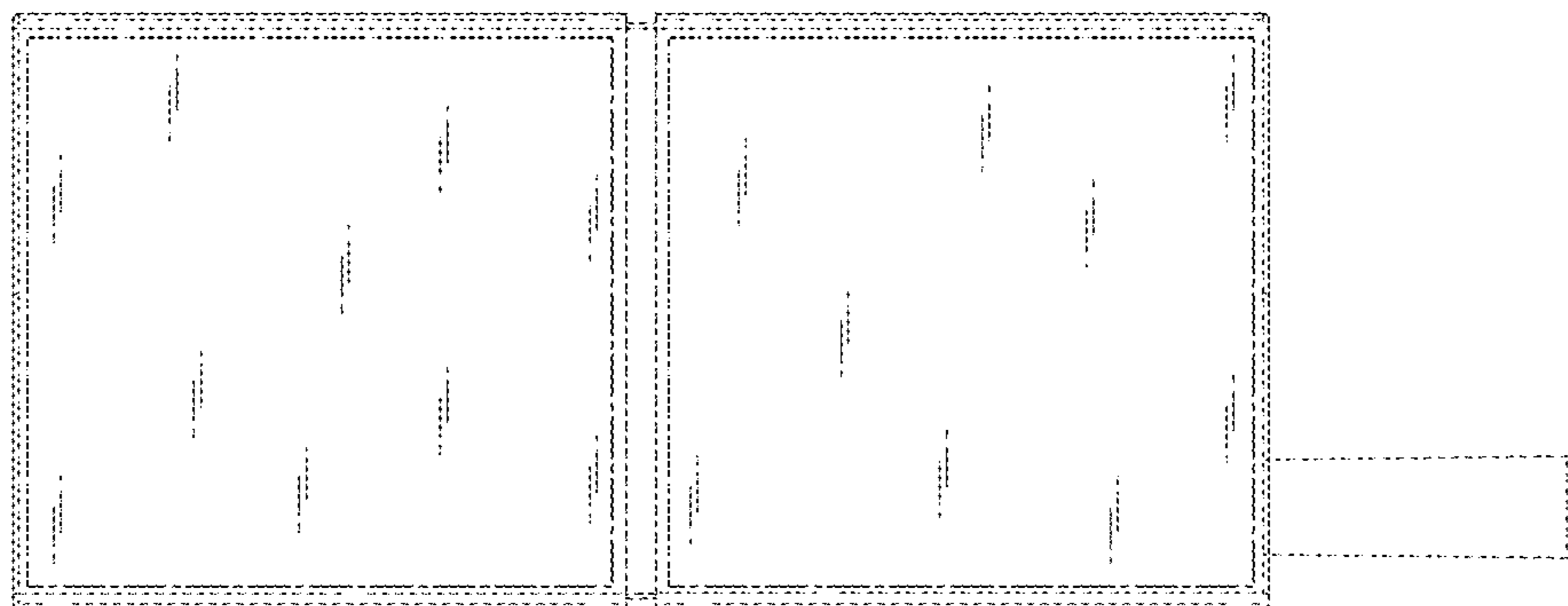


FIG. 1E

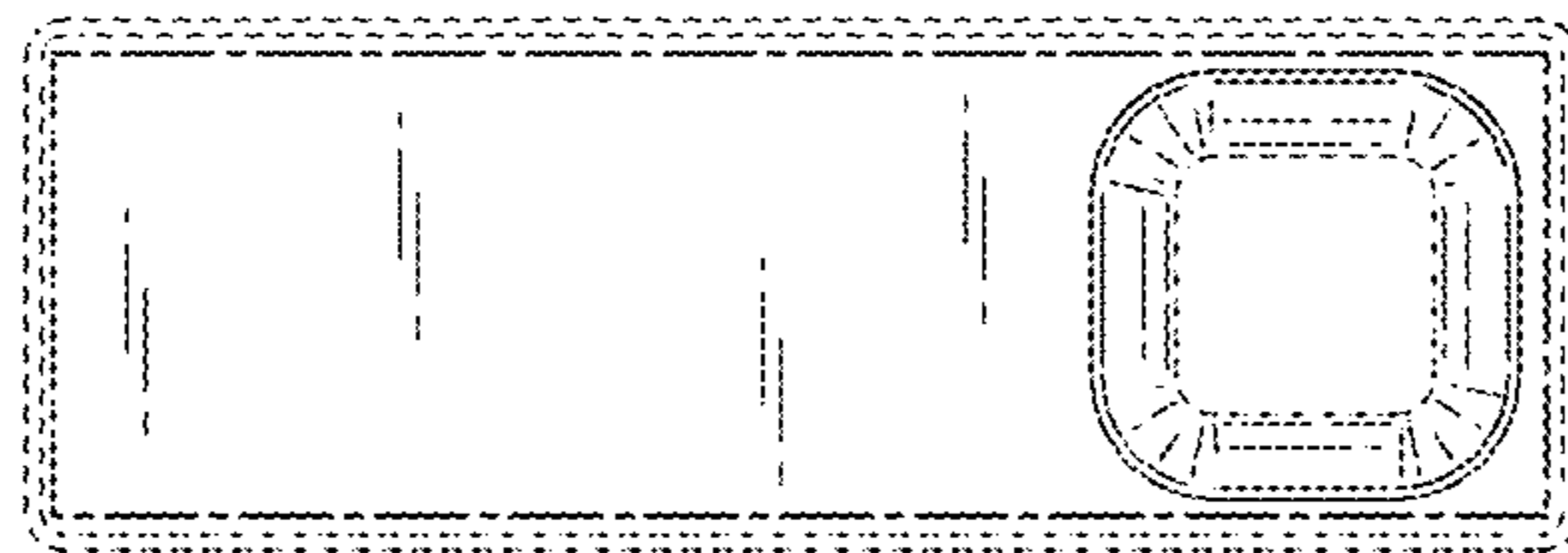


FIG. 1F

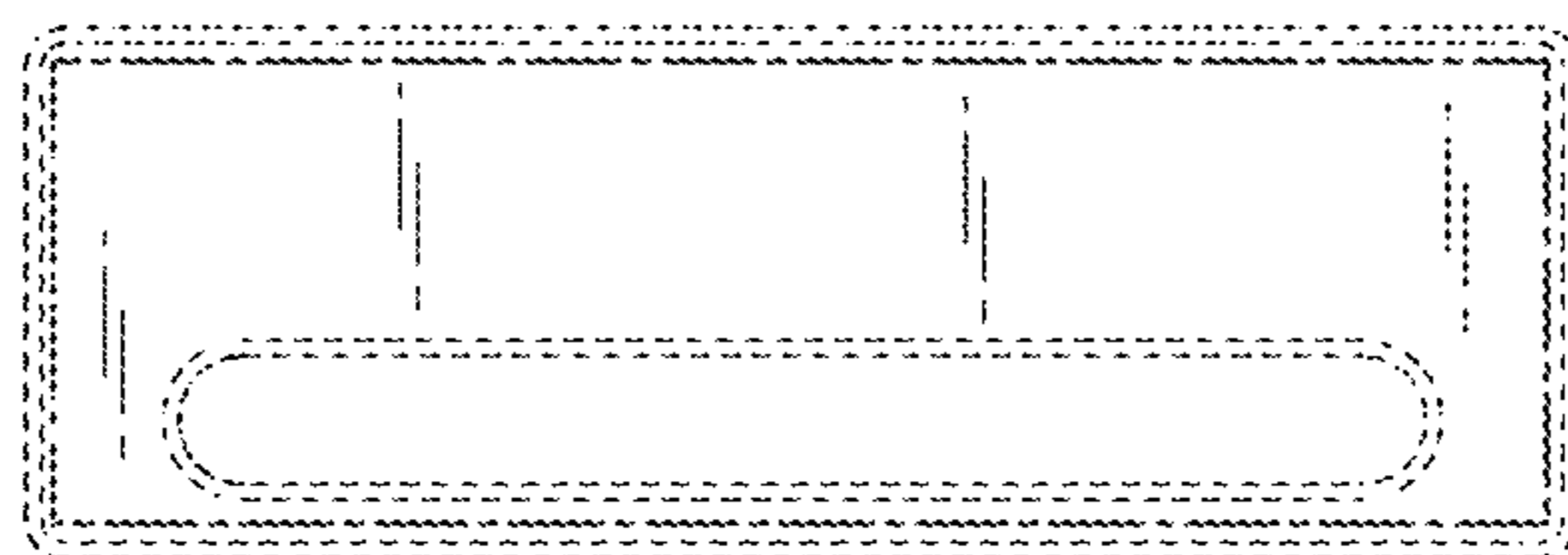


FIG. 1G

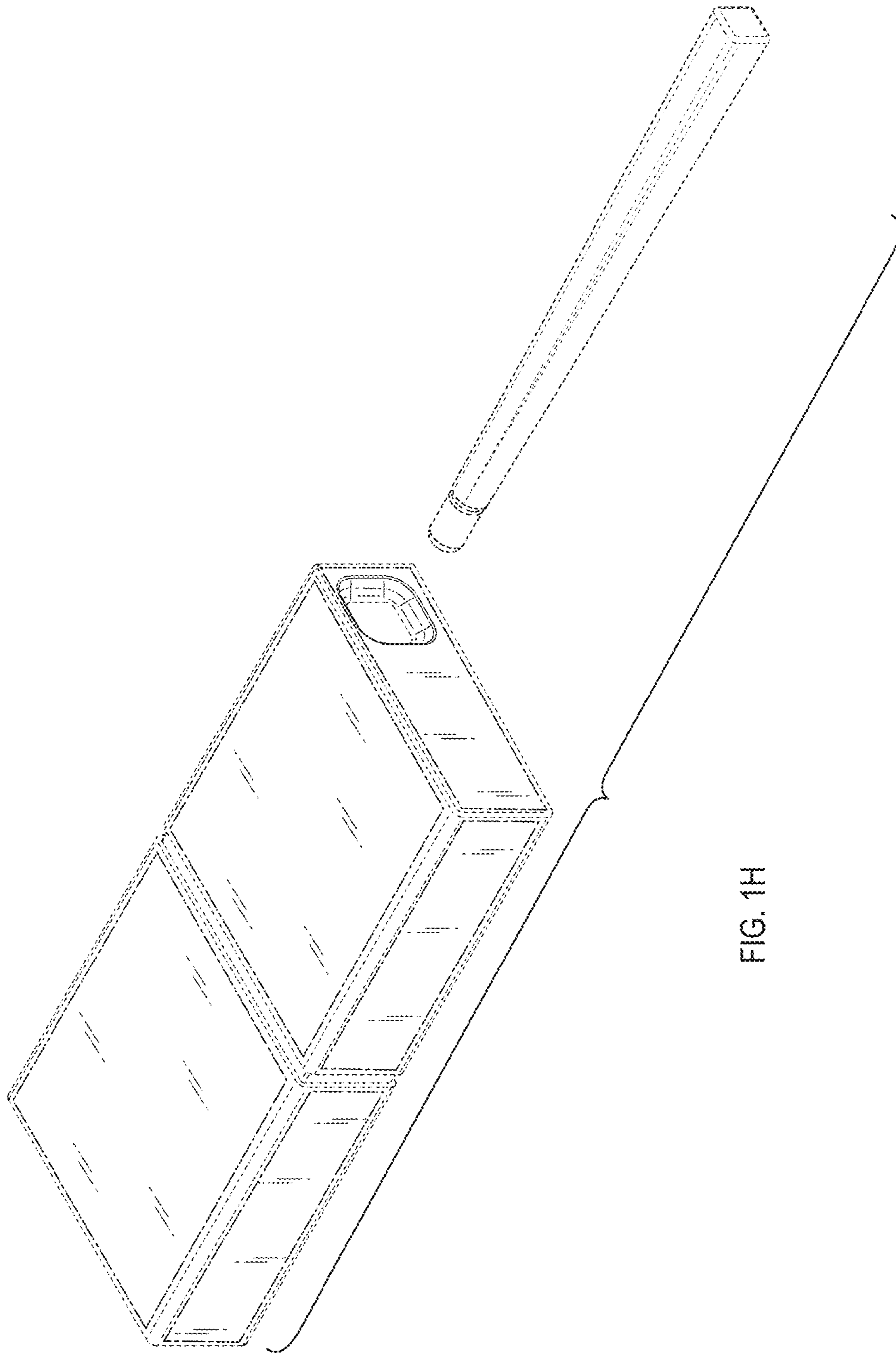


FIG. 1H