



US00D774405S

(12) **United States Design Patent**
Manda

(10) **Patent No.:** **US D774,405 S**

(45) **Date of Patent:** **** Dec. 20, 2016**

(54) **THERMOMETER**

(71) Applicant: **Hakko Corporation**, Osaka-shi, Osaka (JP)

(72) Inventor: **Satoshi Manda**, Osaka (JP)

(73) Assignee: **Hakko Corporation**, Osaka-shi, Osaka (JP)

(**) Term: **14 Years**

(21) Appl. No.: **29/520,678**

(22) Filed: **Mar. 17, 2015**

(30) **Foreign Application Priority Data**

Sep. 30, 2014 (JP) 2014-021747

(51) **LOC (10) Cl.** **10-04**

(52) **U.S. Cl.**
USPC **D10/57**

(58) **Field of Classification Search**

USPC D10/57, 60

CPC G01K 1/02; G01K 1/022; G01K 1/024;

G01K 1/08; G01K 1/083; G01K 1/086;

G01K 3/00-3/14; G01K 2003/145; G01K

13/002; G01K 13/004; G01K

2219/00; G01K 5/04-5/225; G01K 5/22;

G01K 221/00

See application file for complete search history.

(56) **References Cited**

U.S. PATENT DOCUMENTS

D410,204 S * 5/1999 Hendriks D10/57

D446,135 S * 8/2001 Chen D10/57

D504,335 S * 4/2005 Stevenson D10/57

D535,202 S * 1/2007 Sisk D10/57

D554,545 S * 11/2007 Teraoka D10/57

8,214,566 B2 * 7/2012 Edwards A61B 1/00105

709/208

D670,579 S * 11/2012 Cooney D10/57

8,496,377 B2 * 7/2013 Harr G01K 1/14

374/163

D720,243 S * 12/2014 Elrod D10/52

D738,758 S * 9/2015 DeLoach D10/57

* cited by examiner

Primary Examiner — Antoine D Davis

(74) *Attorney, Agent, or Firm* — Squire Patton Boggs

(US) LLP

(57) **CLAIM**

The ornamental design for a thermometer, as shown and described.

DESCRIPTION

FIG. 1 is a first perspective view of a thermometer;

FIG. 2 is a second perspective view thereof;

FIG. 3 is a front view thereof;

FIG. 4 is a rear view thereof;

FIG. 5 is a left side view thereof;

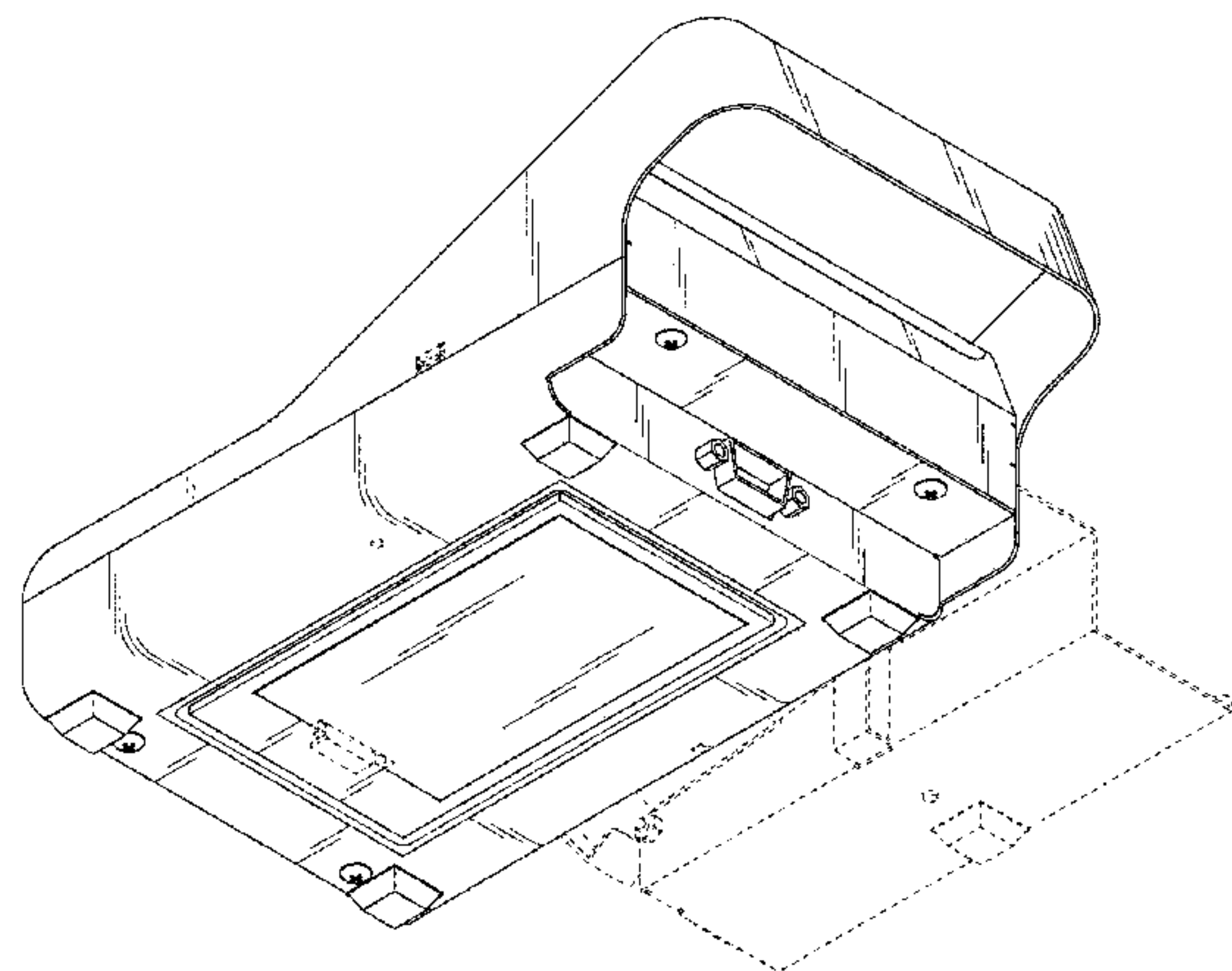
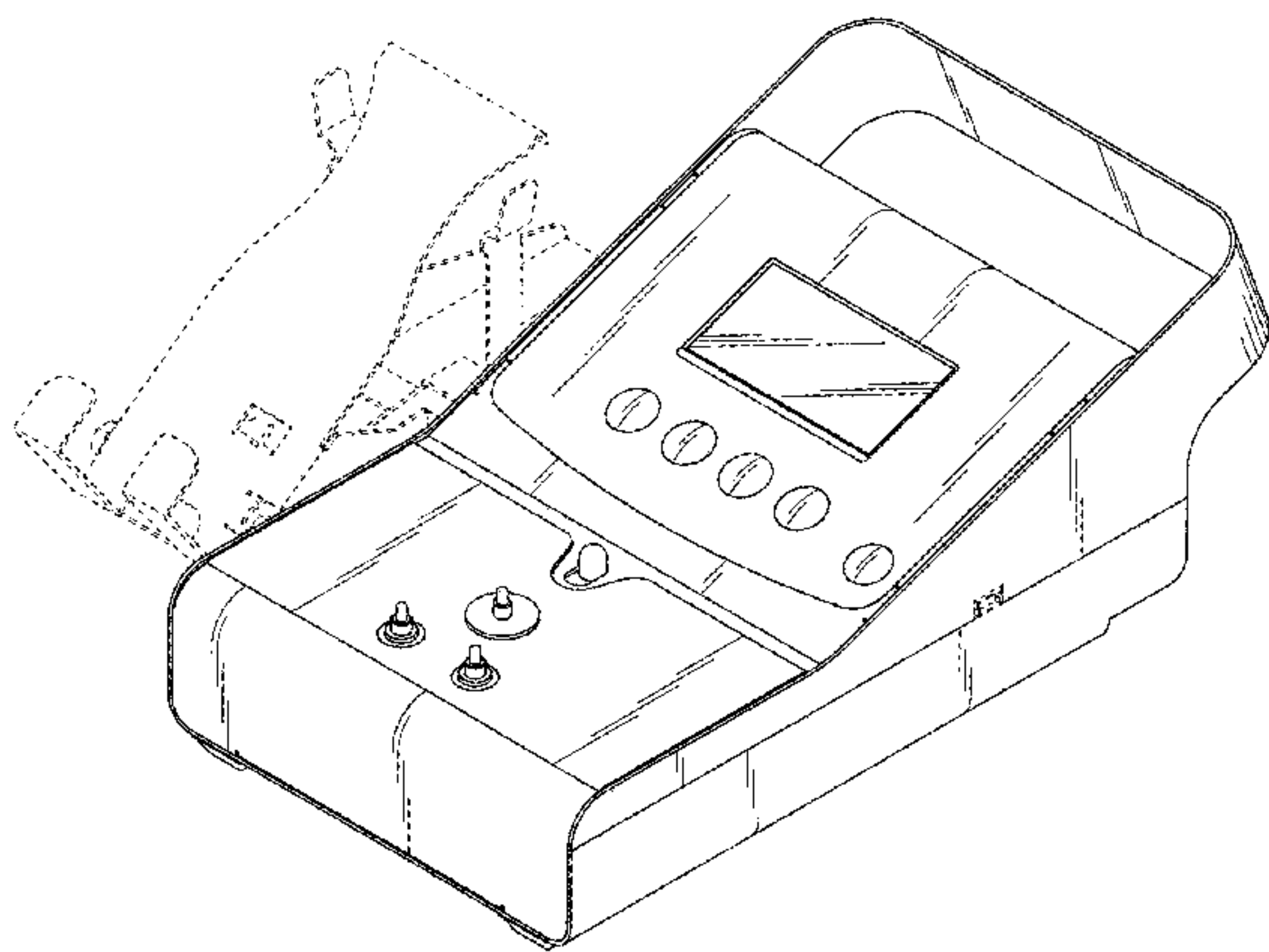
FIG. 6 is a right side view thereof;

FIG. 7 is a top view thereof; and,

FIG. 8 is a bottom view thereof.

The portion shown by broken lines is for illustrative purposes only and forms no part of the claimed design.

1 Claim, 7 Drawing Sheets



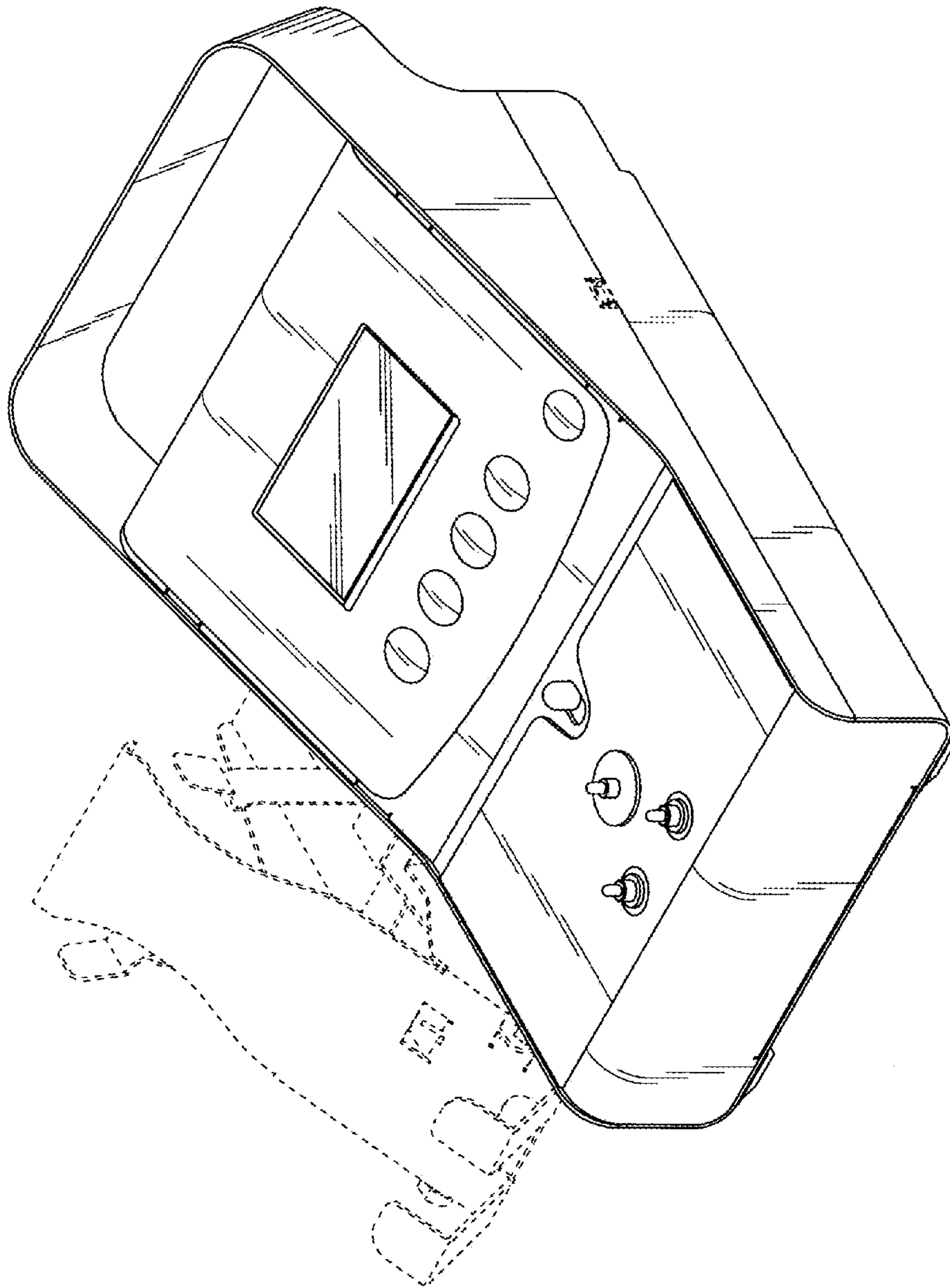


FIG.1

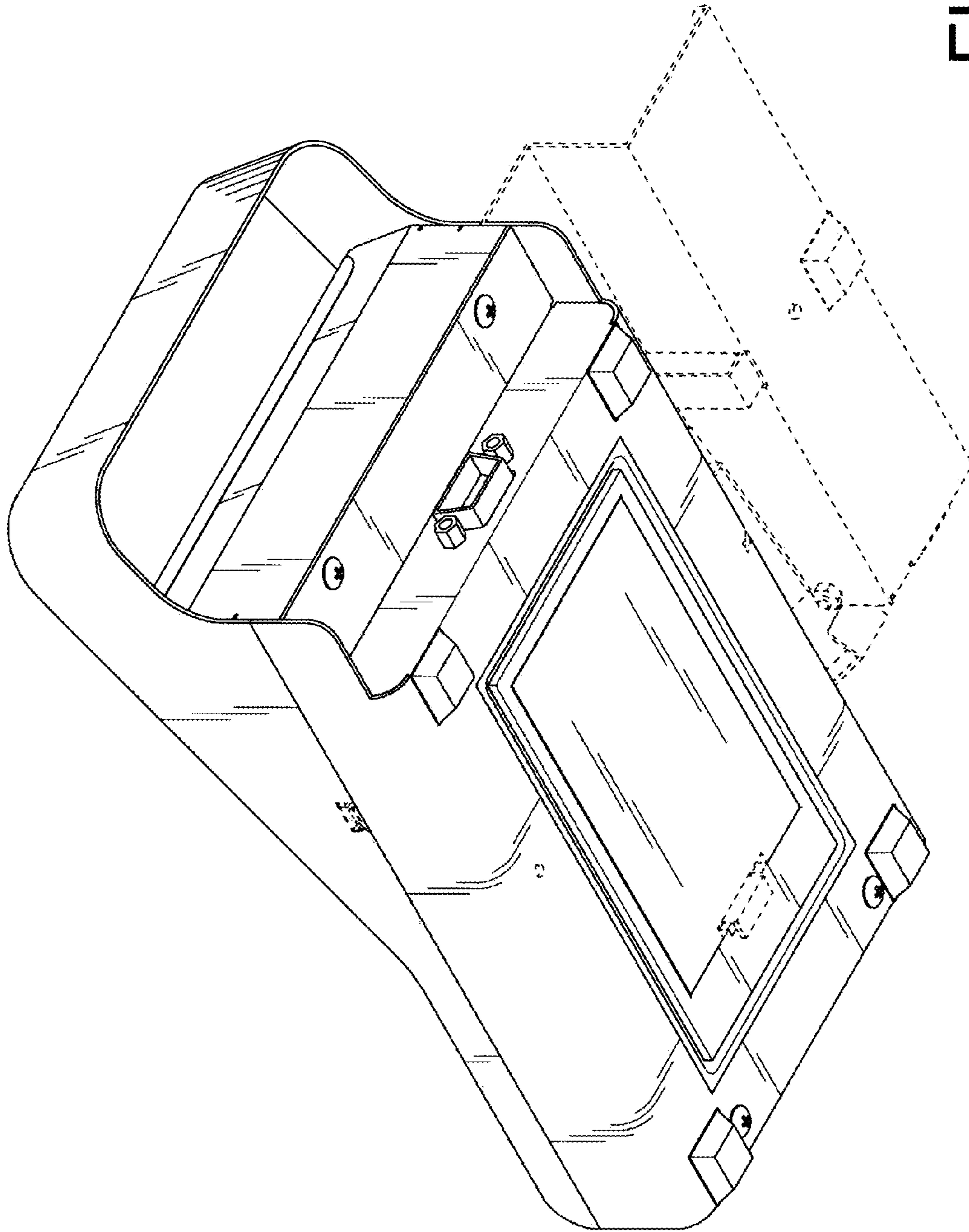


FIG.2

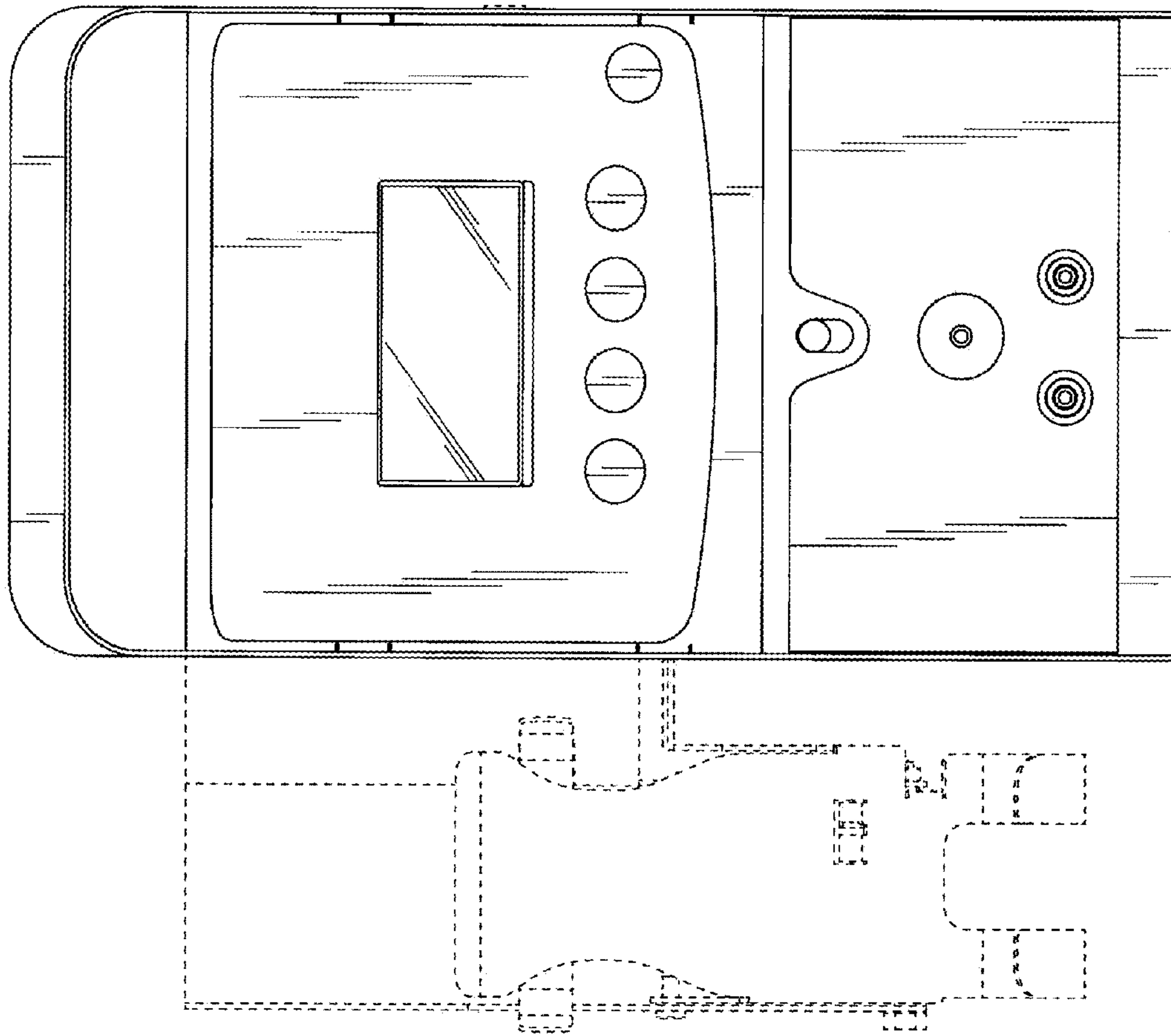


FIG.3

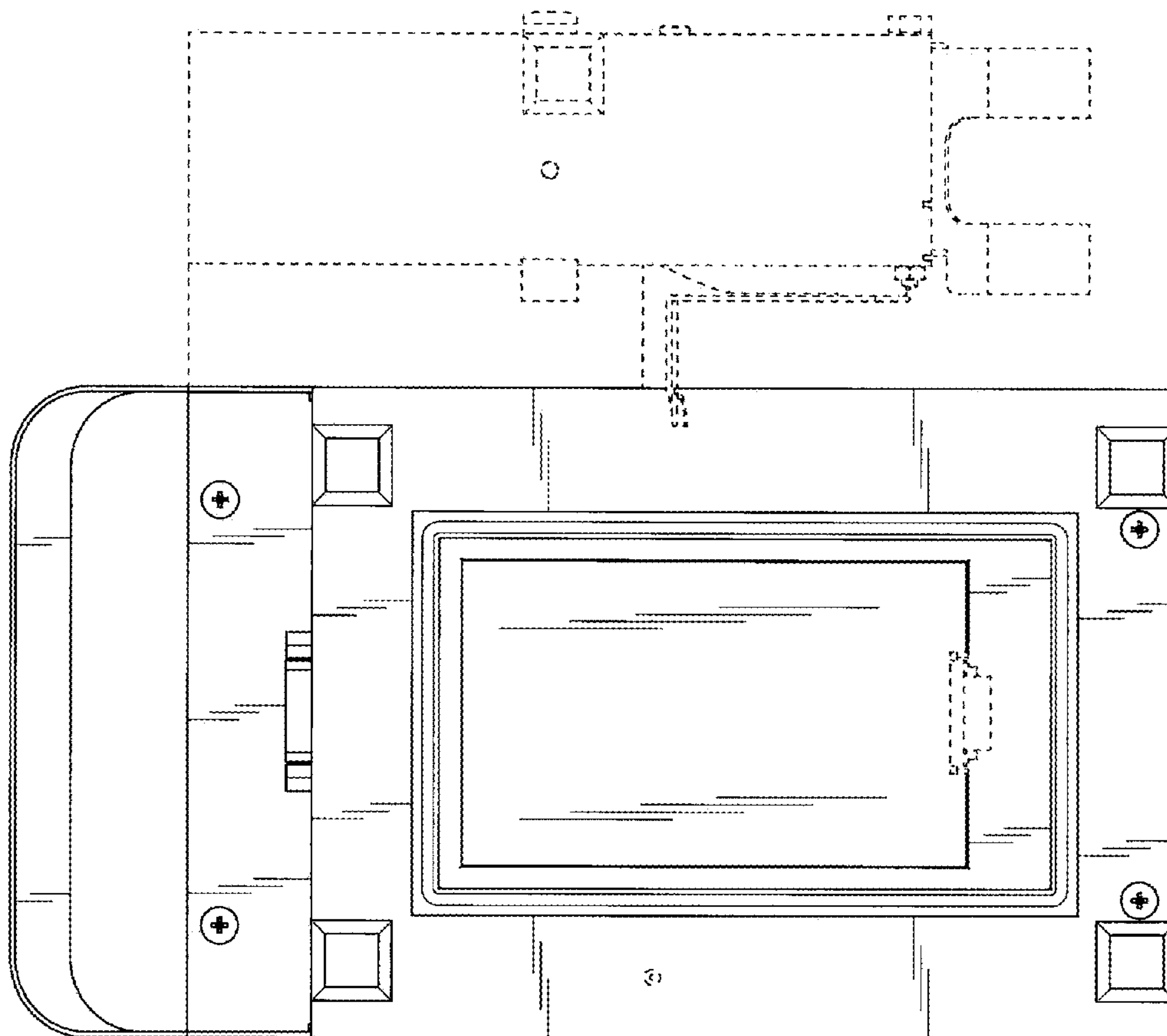


FIG.4

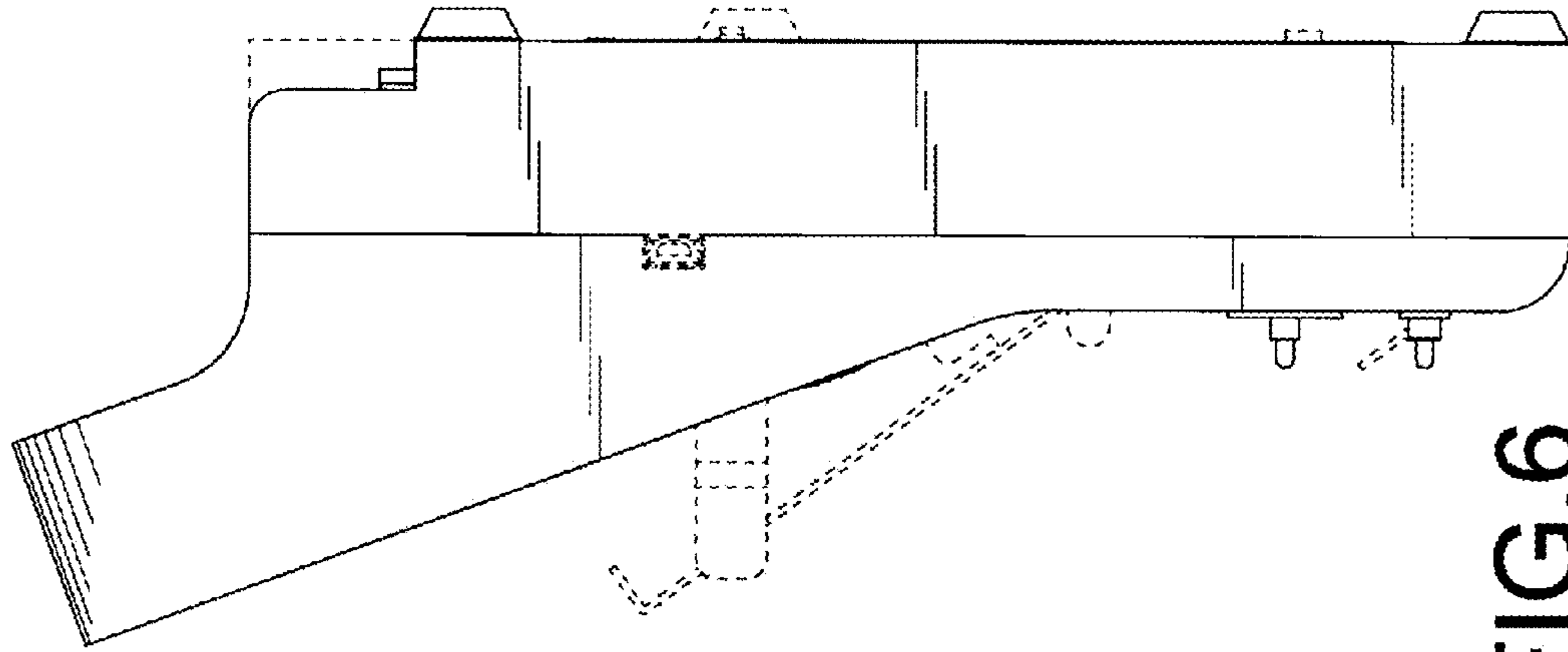


FIG. 5

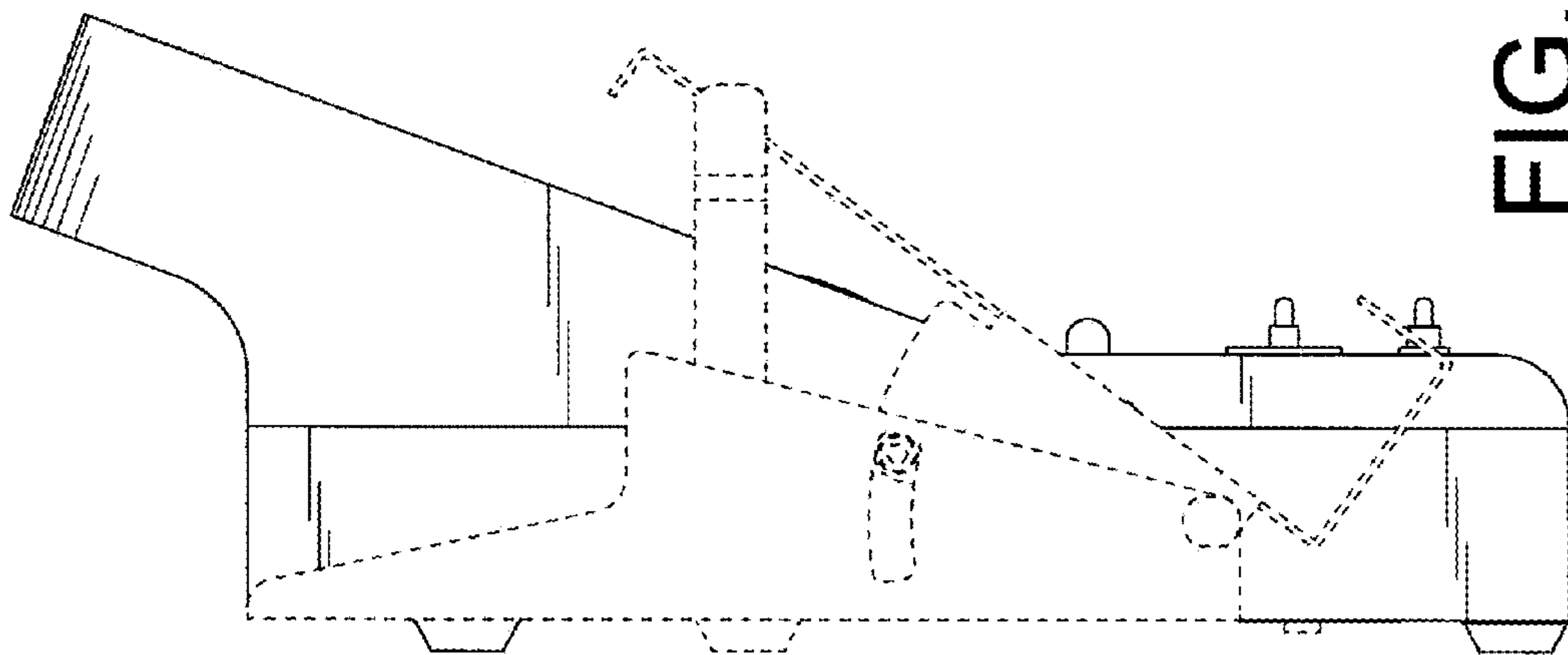


FIG. 6

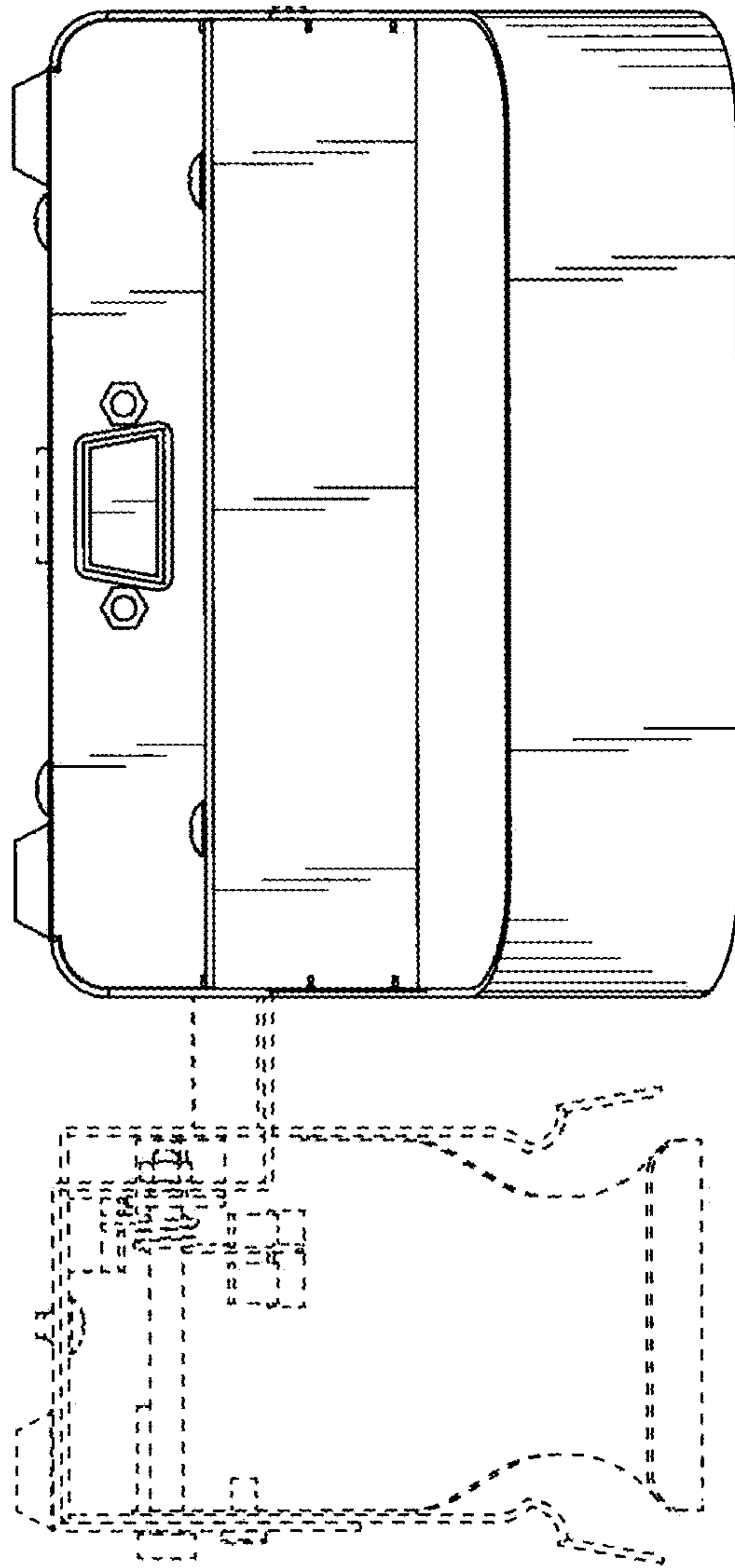


FIG. 7

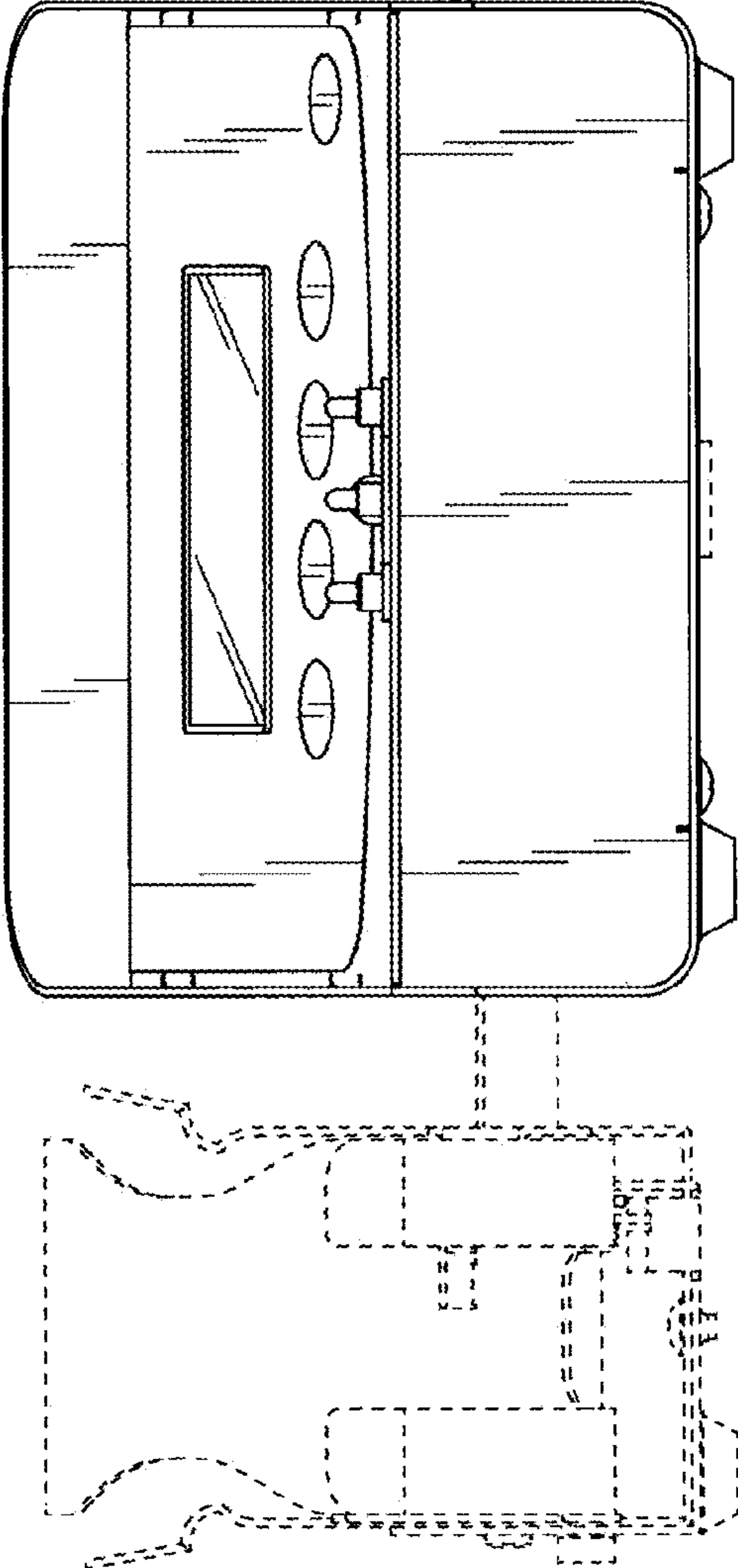


FIG.8