



US00D774402S

(12) **United States Design Patent** (10) **Patent No.:** **US D774,402 S**  
**McSweeney et al.** (45) **Date of Patent:** **\*\* Dec. 20, 2016**

(54) **CONNECTED SINGLE-SERVE CONTAINERS**

(71) Applicant: **MARS, INCORPORATED**, McLean, VA (US)

(72) Inventors: **Jonathan Lee McSweeney**, Antioch, TN (US); **David Matthew Craig**, Thompsons Station, TN (US); **Jason Lee Brown**, Franklin, TN (US); **Daniel Lynn Preusser**, Union, MO (US)

(73) Assignee: **MARS, INCORPORATED**, McLean, VA (US)

(\*\*) Term: **15 Years**

(21) Appl. No.: **29/528,596**

(22) Filed: **May 29, 2015**

**Related U.S. Application Data**

(62) Division of application No. 29/453,563, filed on Apr. 30, 2013, now Pat. No. Des. 741,201.

(51) **LOC (10) Cl.** ..... **09-03**

(52) **U.S. Cl.**  
USPC ..... **D9/756**

(58) **Field of Classification Search**

USPC ..... D9/456, 415, 424, 425, 431, 434-435, D9/443, 499, 732, 755-757, 759, D9/760-762; D3/273, 304, 310, 313, 314, D3/323; D7/357, 359, 549, 553.3, 555, D7/586, 629; D11/144, 155; D23/366; D28/8.1; 206/234, 366, 423, 427, 531, 206/532, 438, 484.1, 521.1, 541, 557, 206/704; 220/23.2, 23.4, 641; 229/120.011, 120.02, 120.12, 125.08  
CPC ..... B65D 3/264; B65D 3/365; B65D 21/02; B65D 21/0201; B65D 21/0204; B65D 21/0206; B65D 21/0208; B65D 71/70; B65D 88/005; B65D 88/022; B65D 88/027; B65D 88/12; B65D 88/1643

See application file for complete search history.

(56) **References Cited**

U.S. PATENT DOCUMENTS

D9,661 S 12/1876 Heuacker  
D213,387 S 2/1969 Cronhein  
D220,749 S 5/1971 Artz  
D241,622 S 9/1976 Smith  
D273,765 S 5/1984 Cillario  
D273,842 S 5/1984 Jeanin  
D290,232 S 6/1987 Holzkopf et al.

(Continued)

OTHER PUBLICATIONS

Mars Containers. (Design-© Questel). orbit.com [online PDF] 52 pages. Upload ranges from Oct. 2, 2013-2014 [retrieved on Apr. 7, 2015]. Retrieved from Internet: <<http://sobjprd.questel.fr/export/QPTUJ214/pdf2/099c057d-aea7-4681-bc1f-2f0adeca8f30-173955.pdf>>.

*Primary Examiner* — Susan Bennett Hattan

*Assistant Examiner* — Marie Fast Horse

(74) *Attorney, Agent, or Firm* — Arent Fox LLP

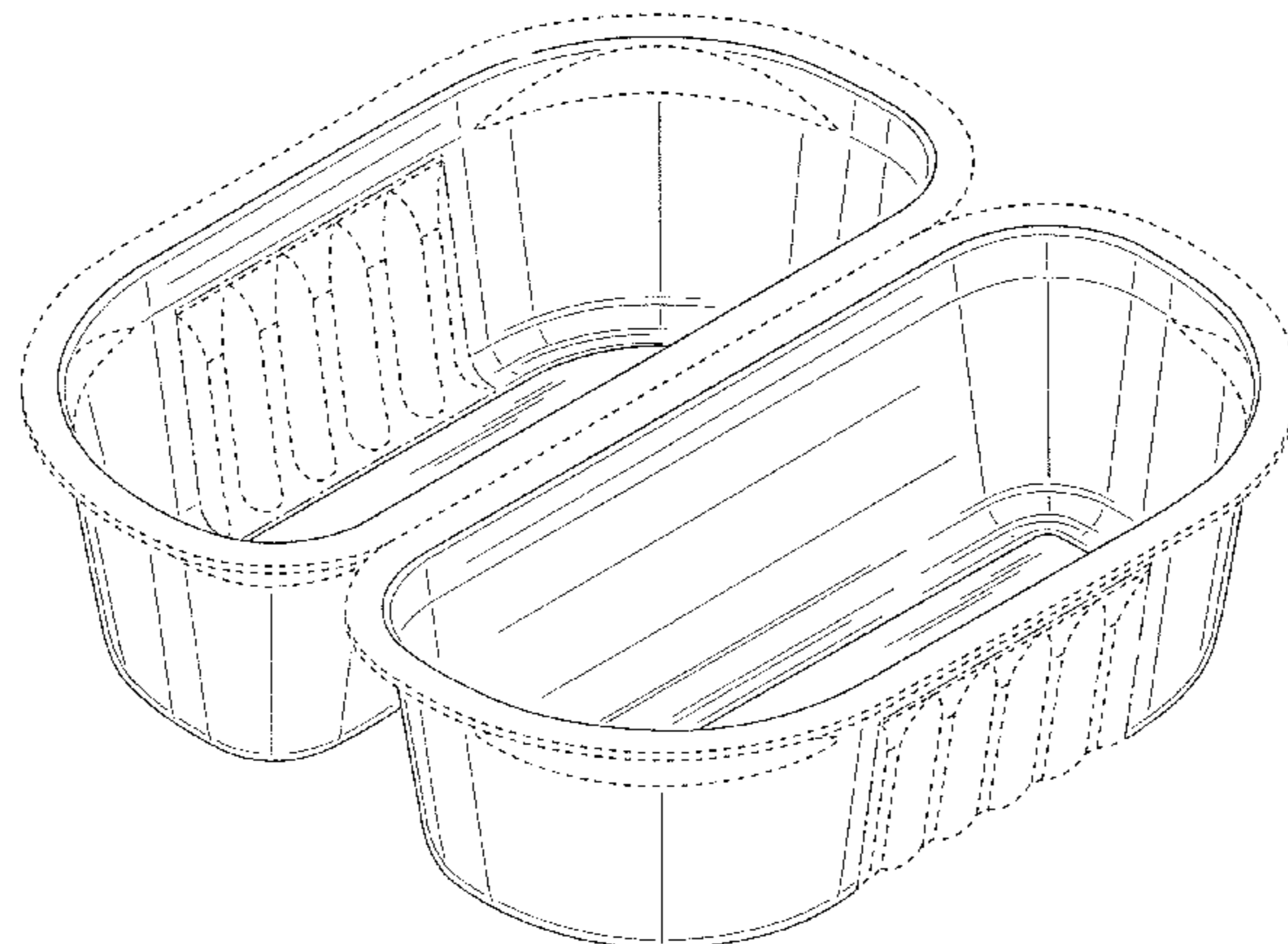
(57) **CLAIM**

The ornamental design for connected single-serve containers, as shown and described.

**DESCRIPTION**

FIG. 1 is a perspective view of connected single-serve containers showing our new design; FIG. 2 is a front view of the design shown in FIG. 1, the back view being a mirror image thereof; FIG. 3 is a left side view of the design shown in FIG. 1, the right side view being a mirror image thereof; FIG. 4 is a top view of the design shown in FIG. 1; and, FIG. 5 is a bottom view of the design shown in FIG. 1. The broken lines shown in the drawings represent unclaimed portions of the connected single-serve containers and form no part of the claim design. The broken lines consisting of unevenly sized dashes define the boundary of the claim which extends to the boundary but does not include the boundary.

**1 Claim, 5 Drawing Sheets**



(56)

**References Cited**

U.S. PATENT DOCUMENTS

D371,940 S	7/1996	Krupa		D537,718 S	3/2007	Gomoll et al.	
D386,075 S	11/1997	Hayes et al.		D553,010 S	10/2007	Cutts et al.	
D393,798 S	4/1998	Joswick		D569,193 S	5/2008	El Ghouyel	
D430,023 S	8/2000	Shurtleff et al.		D581,266 S	11/2008	Vovan	
6,123,214 A *	9/2000	Goebel .....	B65D 21/0204 206/805	D585,735 S	2/2009	Vovan et al.	
D437,220 S	2/2001	Knutson et al.		D587,993 S	3/2009	Vovan	
D448,130 S	9/2001	Wagner		D588,937 S	3/2009	Pelletier et al.	
D456,707 S	5/2002	Agarwal		D592,497 S	5/2009	Brown	
D461,123 S	8/2002	Hayes et al.		D595,154 S	6/2009	Nicholson et al.	
6,619,501 B2	9/2003	Hayes et al.		D601,014 S	9/2009	Petitjean	
D485,942 S	1/2004	McLeish		D627,221 S	11/2010	Kovatch	
D504,325 S	4/2005	Vovan		D643,309 S	8/2011	Birchmeier et al.	
D505,335 S	5/2005	Grenda		D667,734 S	9/2012	Goodman	
D524,645 S	7/2006	LaMasney		8,328,043 B2	12/2012	Kessell et al.	
D527,626 S	9/2006	Weiss et al.		D673,447 S	1/2013	Freeman et al.	
D531,029 S	10/2006	Gomoll et al.		D710,701 S	8/2014	Lai	
7,121,422 B2 *	10/2006	Gitschlag .....	A47G 19/065 220/556	D713,741 S	9/2014	Wilmers	
D536,992 S	2/2007	Garg et al.		D740,135 S *	10/2015	McSweeney .....	D9/426
				D741,201 S *	10/2015	McSweeney .....	D9/756
				2009/0321292 A1	12/2009	Prudden et al.	

\* cited by examiner

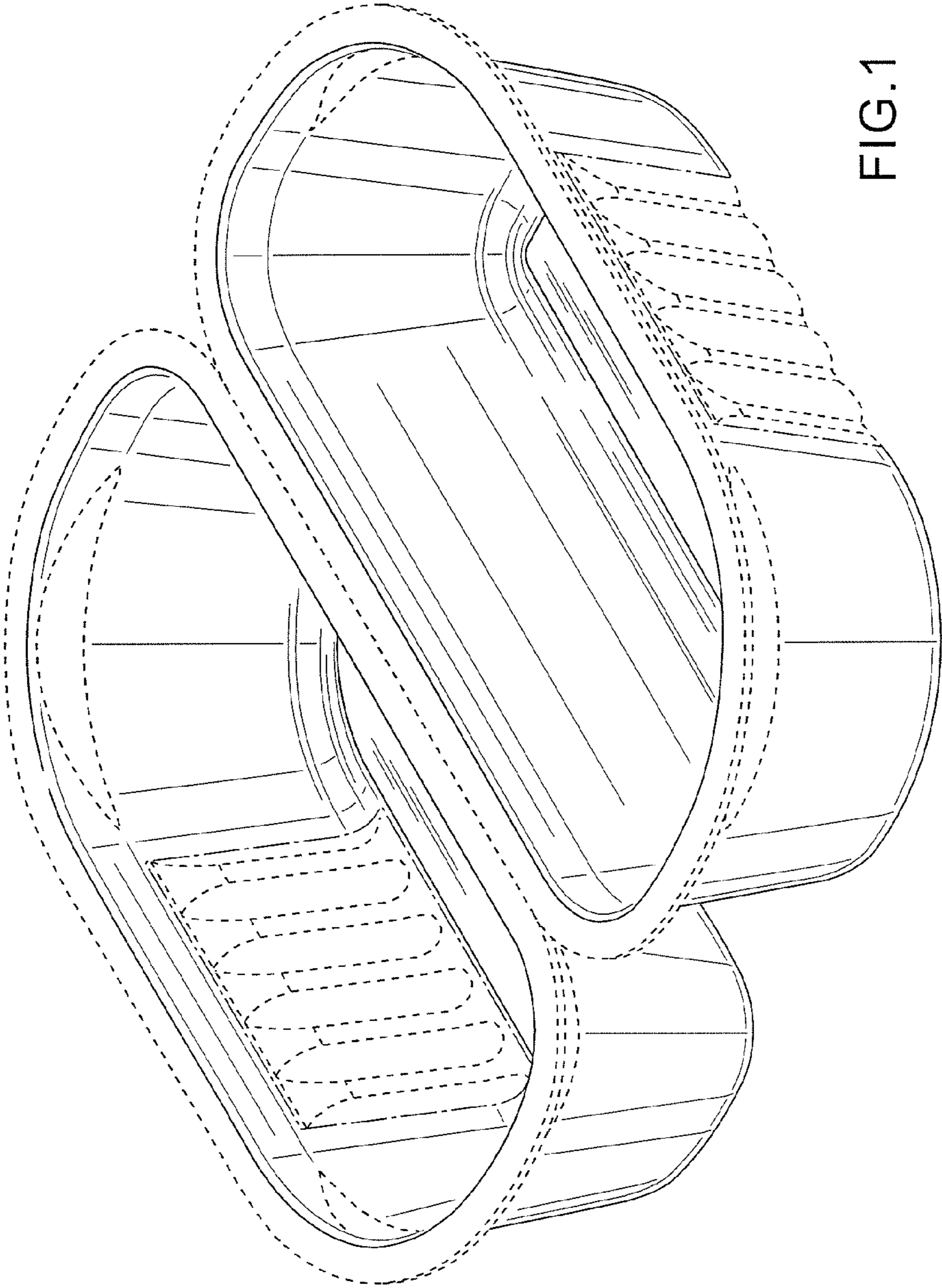


FIG.1

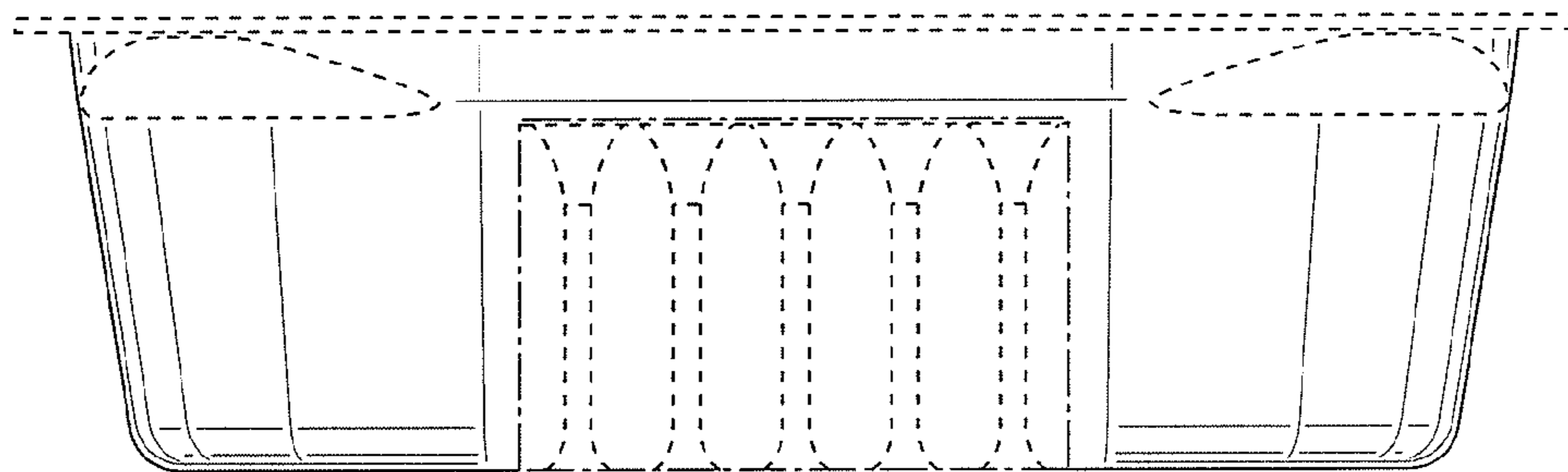


FIG. 2

FIG. 3

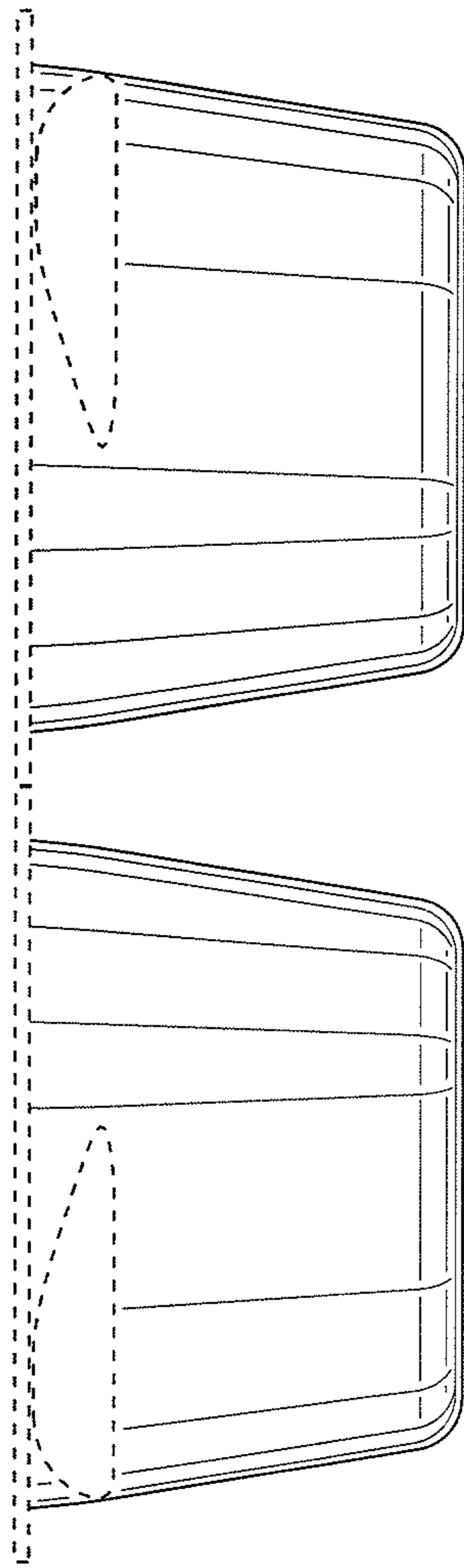
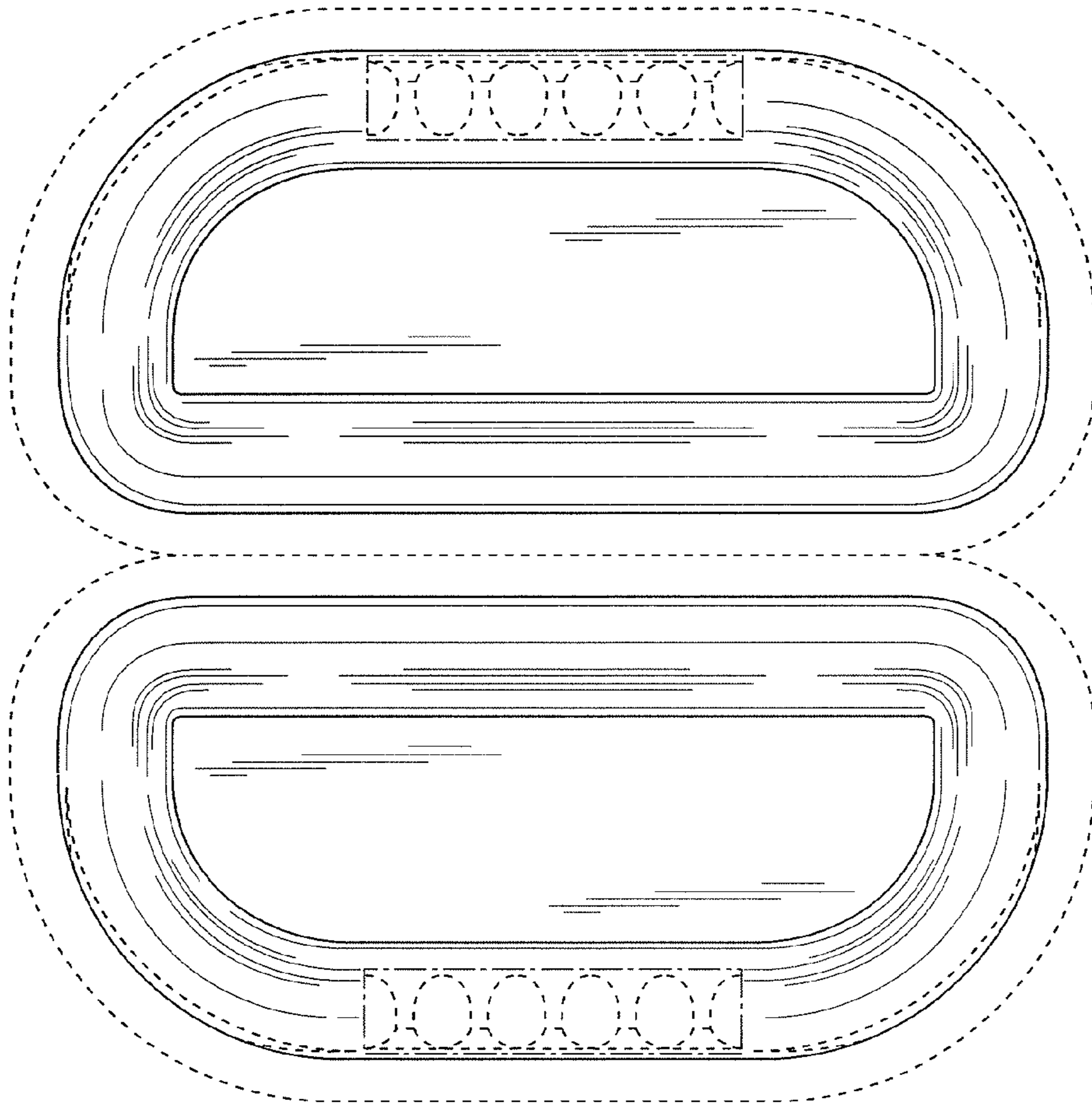




FIG. 4



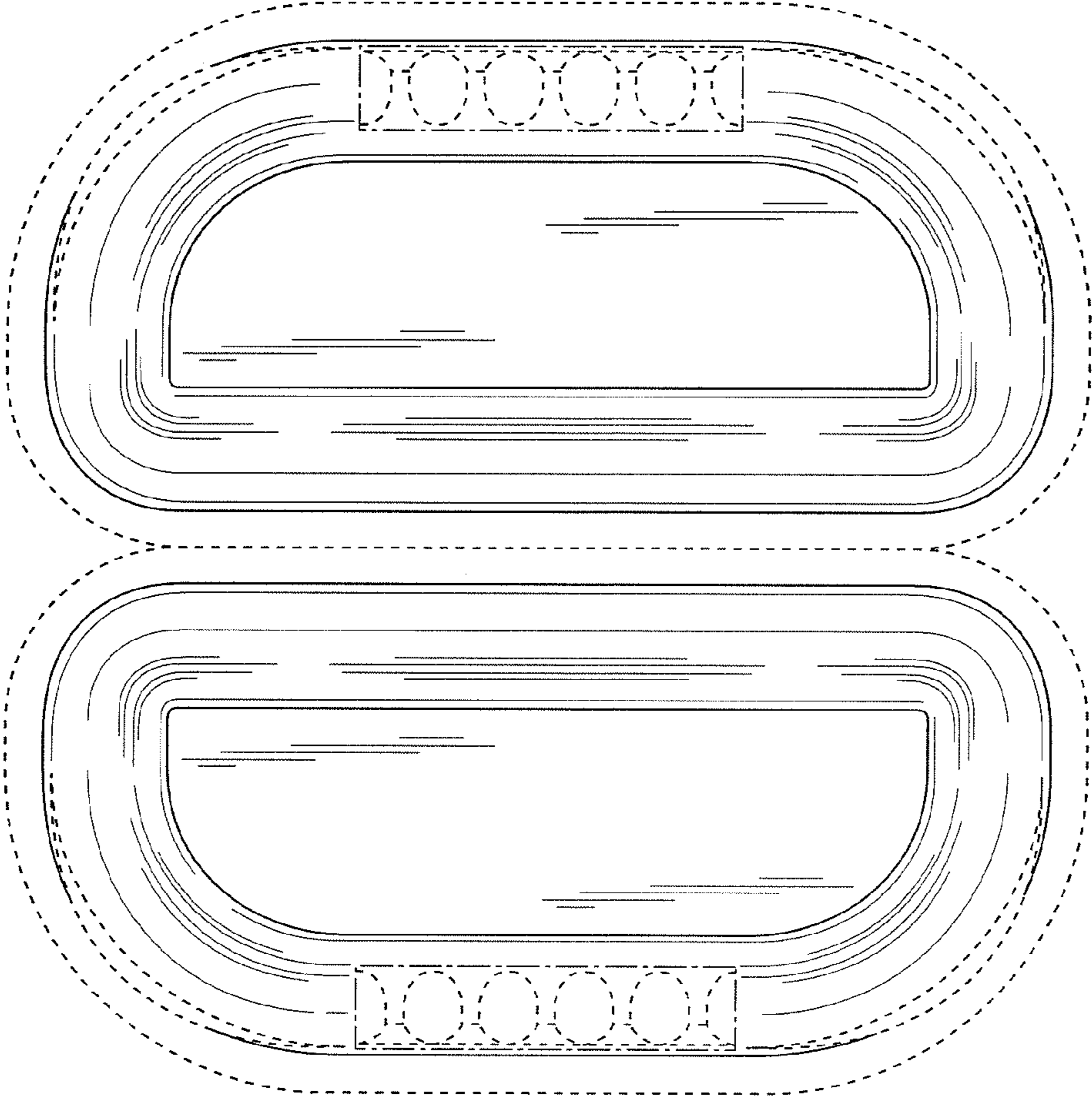


FIG. 5