

US00D774400S

(12) **United States Design Patent** (10) **Patent No.:** **US D774,400 S**  
**Miyazaki et al.** (45) **Date of Patent:** **\*\* Dec. 20, 2016**

(54) **PACKING BOX**

(71) Applicant: **HISAMITSU PHARMACEUTICAL CO., INC.**, Tosu-shi, Saga (JP)  
(72) Inventors: **Masaki Miyazaki**, Tokyo (JP); **Shigeo Kusumi**, Tokyo (JP)  
(73) Assignee: **HISAMITSU PHARMACEUTICAL CO., INC.**, Tosu-shi, Saga (JP)

(\*\*) Term: **15 Years**

(21) Appl. No.: **29/530,477**

(22) Filed: **Jun. 17, 2015**

(30) **Foreign Application Priority Data**

Dec. 17, 2014 (JP) ..... D2014-028195

(51) **LOC (10) Cl.** ..... **09-01**

(52) **U.S. Cl.**  
USPC ..... **D9/600; D9/434**

(58) **Field of Classification Search**  
USPC ..... **D9/600, 614, 624-628, 667, 414-434; 206/457, 459.5, 527; 215/381-384, 400; 220/288**

(Continued)

(56) **References Cited**

**U.S. PATENT DOCUMENTS**

D552,480 S 10/2007 Kusumi et al.  
D587,111 S 2/2009 Seol et al.

(Continued)

**FOREIGN PATENT DOCUMENTS**

IN 1644349 1/2008  
JP 1178756 S 7/2003

(Continued)

**OTHER PUBLICATIONS**

Salonpas® Pain Relief Products—Salonpas® Pain Patches and Sprays, “Salonpas® Pain Relief Patch,” “Salonpas® Arthritis Pain Patch,” “Salonpas® Jet Spray,” “Salonpas® Gel Patch Hot,” “Salonpas® DEEP Relieving Gel,” retrieved from <http://www.salonpas.us/pain-relief-products/> on Jan. 27, 2015.

(Continued)

*Primary Examiner* — Sandra Morris

(74) *Attorney, Agent, or Firm* — Jeremy Jay

(57) **CLAIM**

The ornamental design for a packing box, as shown and described.

**DESCRIPTION**

The patent or application file contains at least one drawing executed in color. Copies of this patent or patent application publication with color drawing(s) will be provided by the Office upon request and payment of the necessary fee. FIG. 1 is a front view of a packing box of the present invention.

FIG. 2 is a rear view of the packing box of FIG. 1.

FIG. 3 is a top plan view of the packing box of FIG. 1.

FIG. 4 is a bottom view of the packing box of FIG. 1.

FIG. 5 is a right side view of the packing box of FIG. 1.

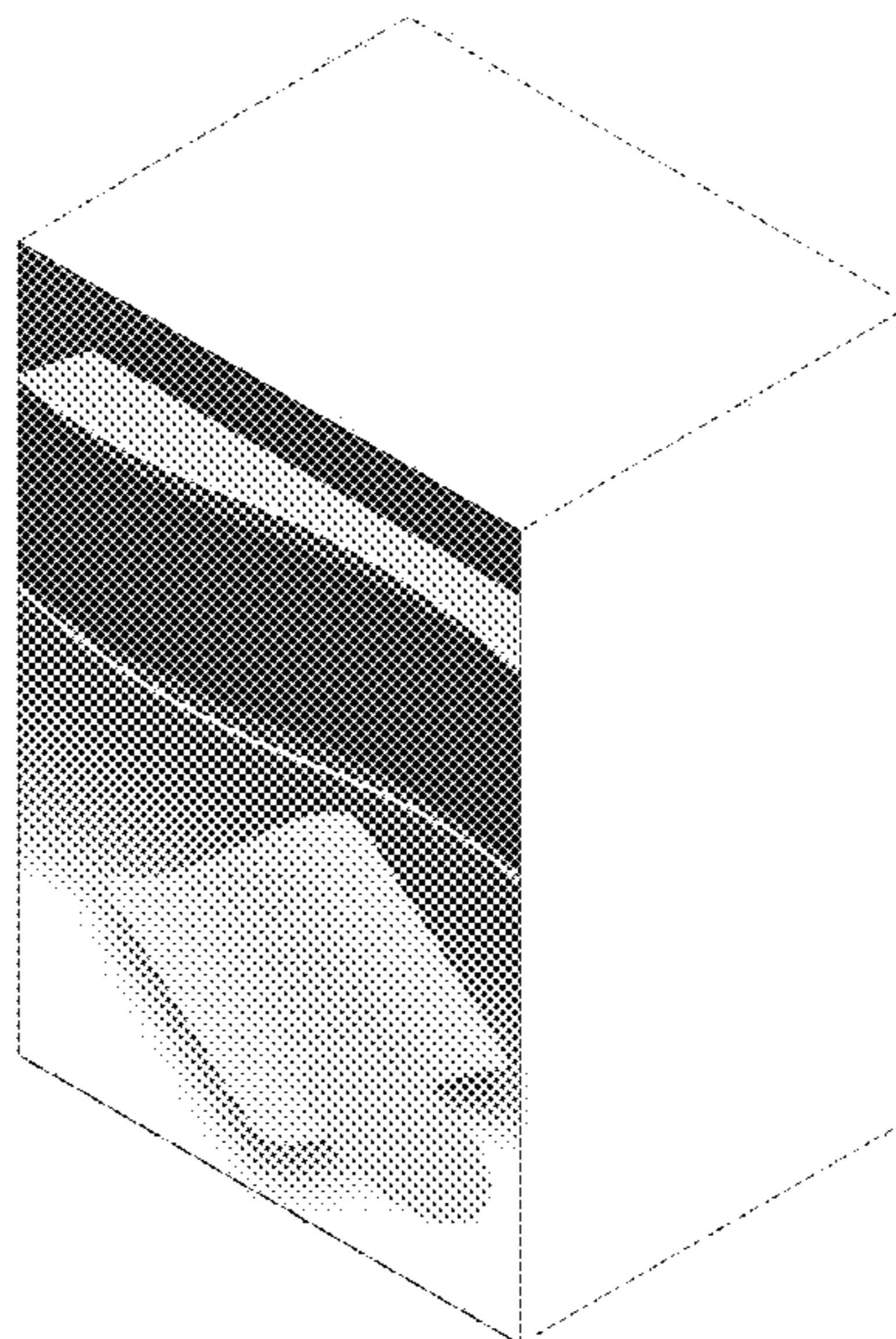
FIG. 6 is a left side view of the packing box of FIG. 1.

FIG. 7 is a front perspective view of the packing box of FIG. 1; and,

FIG. 8 is a rear perspective view of the packing box of FIG. 1.

The features shown in broken lines depict environmental subject matter only and no part of the claimed design.

**1 Claim, 8 Drawing Sheets**  
**(2 of 8 Drawing Sheet(s) Filed in Color)**



(58) **Field of Classification Search**  
 CPC ..... B65D 5/4258; B65D 81/60; B65D 81/365;  
 B65D 81/366; B65D 81/368; B65D  
 2203/00; B65D 2203/02  
 See application file for complete search history.

(56) **References Cited**

U.S. PATENT DOCUMENTS

D589,359 S 3/2009 Kusumi  
 D590,250 S \* 4/2009 Seol ..... D9/432  
 D590,253 S \* 4/2009 Seol ..... D9/432  
 D603,701 S 11/2009 Seol et al.  
 D621,700 S 8/2010 Kusumi et al.  
 D621,701 S 8/2010 Kusumi et al.  
 D628,063 S 11/2010 Kusumi et al.  
 D634,623 S 3/2011 Kusumi et al.  
 D650,273 S \* 12/2011 Tekulve ..... D9/432  
 D651,916 S \* 1/2012 Mochizuki ..... D9/624  
 D652,317 S \* 1/2012 Mochizuki ..... D9/624  
 D655,156 S 3/2012 Schrimpf et al.  
 D655,191 S \* 3/2012 Mochizuki ..... D9/624  
 D655,192 S \* 3/2012 Mochizuki ..... D9/624  
 D665,257 S 8/2012 Slayton et al.  
 D692,771 S 11/2013 Sakai et al.  
 D702,119 S \* 4/2014 Sakai ..... D9/434  
 D718,125 S 11/2014 Chiang

FOREIGN PATENT DOCUMENTS

JP 1178757 S 7/2003  
 JP 1179134 S 7/2003  
 JP 1349489 S 1/2009  
 JP 1349755 S 1/2009  
 JP 5393932 3/2011  
 JP 5393933 3/2011  
 JP 1418327 S 7/2011  
 JP 1418328 S 7/2011  
 JP 1418581 S 7/2011  
 JP 1418582 S 7/2011  
 JP 1418583 S 7/2011

JP 5416627 7/2011  
 JP 5416628 7/2011  
 JP 1421028 S 8/2011  
 JP 1421029 S 8/2011  
 JP 1421196 S 8/2011  
 JP 1421197 S 8/2011  
 JP 1421198 S 8/2011  
 JP 1421199 S 8/2011  
 JP 1421200 S 8/2011  
 JP 1421201 S 8/2011  
 JP 1421202 S 8/2011  
 JP 2012-43690 6/2012  
 JP 2012-43693 6/2012  
 JP 1444165 S 6/2012  
 JP 1444166 S 6/2012  
 JP 1444167 S 6/2012  
 JP 1444418 S 6/2012  
 JP 1445913 S 7/2012  
 JP 5499668 7/2012  
 JP 5499669 7/2012  
 JP 5505897 8/2012  
 JP 1487924 S 1/2014  
 JP 5643436 2/2014  
 JP 5643437 2/2014  
 JP 5643439 2/2014  
 TW D565184 12/2003  
 TW 592521 S 6/2004  
 TW D101757 12/2004  
 TW D112544 8/2006  
 TW 118333 S 8/2007  
 TW D143520 S1 11/2011  
 TW 145987 S 3/2012  
 TW D152443 S1 3/2013

OTHER PUBLICATIONS

Salonpas® Pain Relief Patch, “Salonpas Massage Foam” retrieved from <http://www.salonpas.us/?s=massarge+foam> on Jan. 28, 2015.  
 United States Patent and Trademark Office, Notice of Allowance in U.S. Patent Application No. 29/530,484, mailed Sep. 19, 2016.

\* cited by examiner

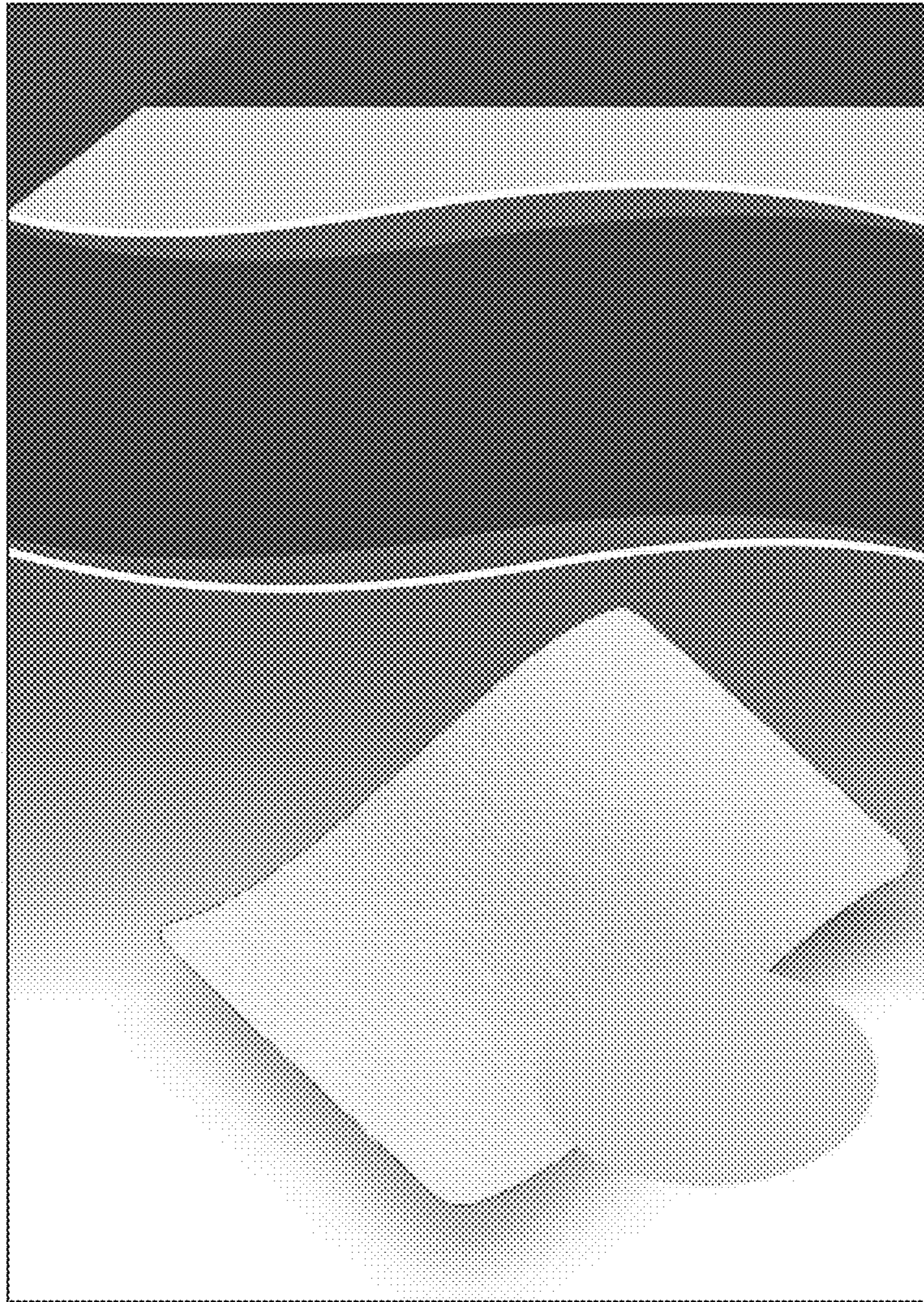


FIG.1

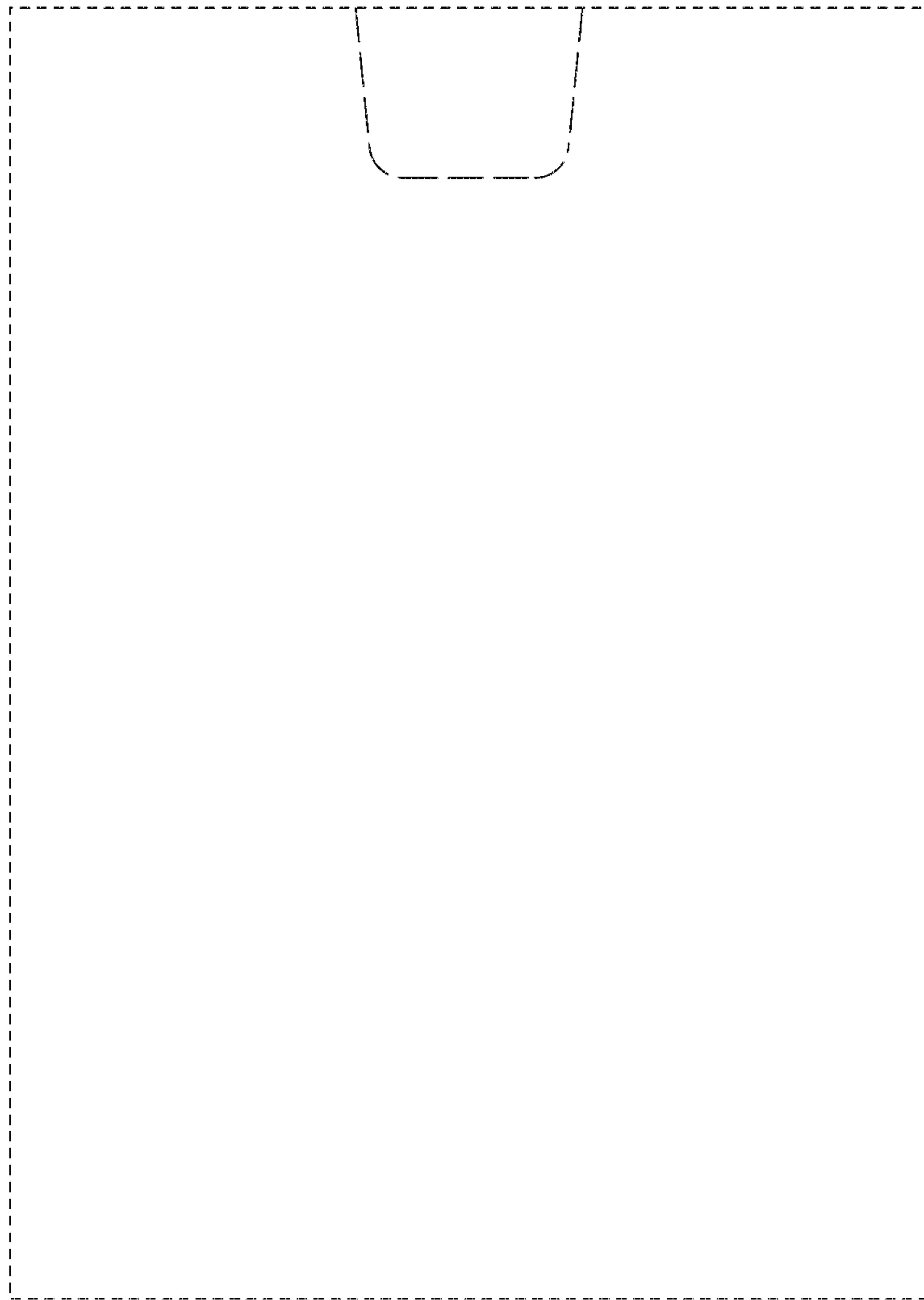
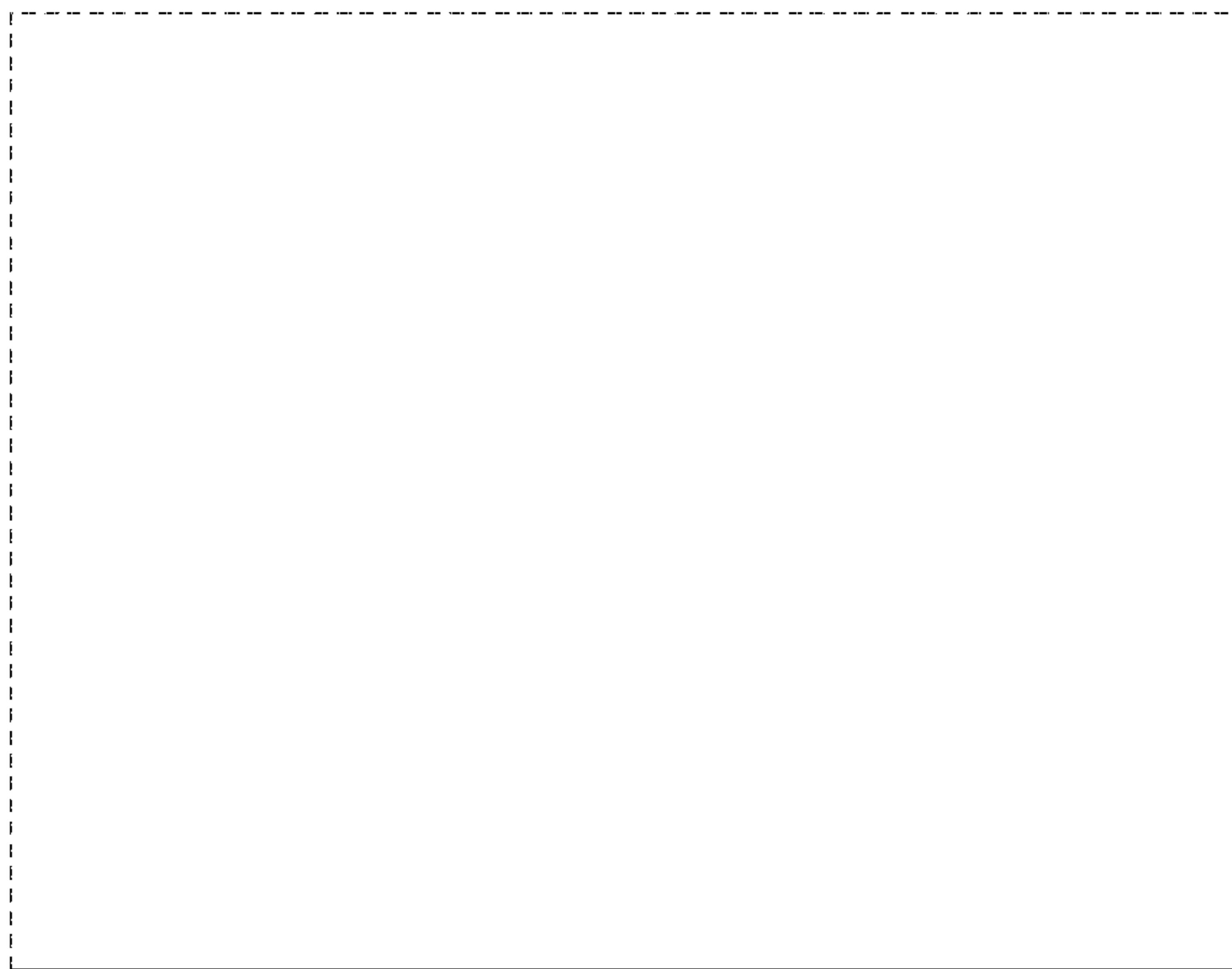


FIG.2



**FIG.3**



FIG.4



**FIG.5**



**FIG.6**



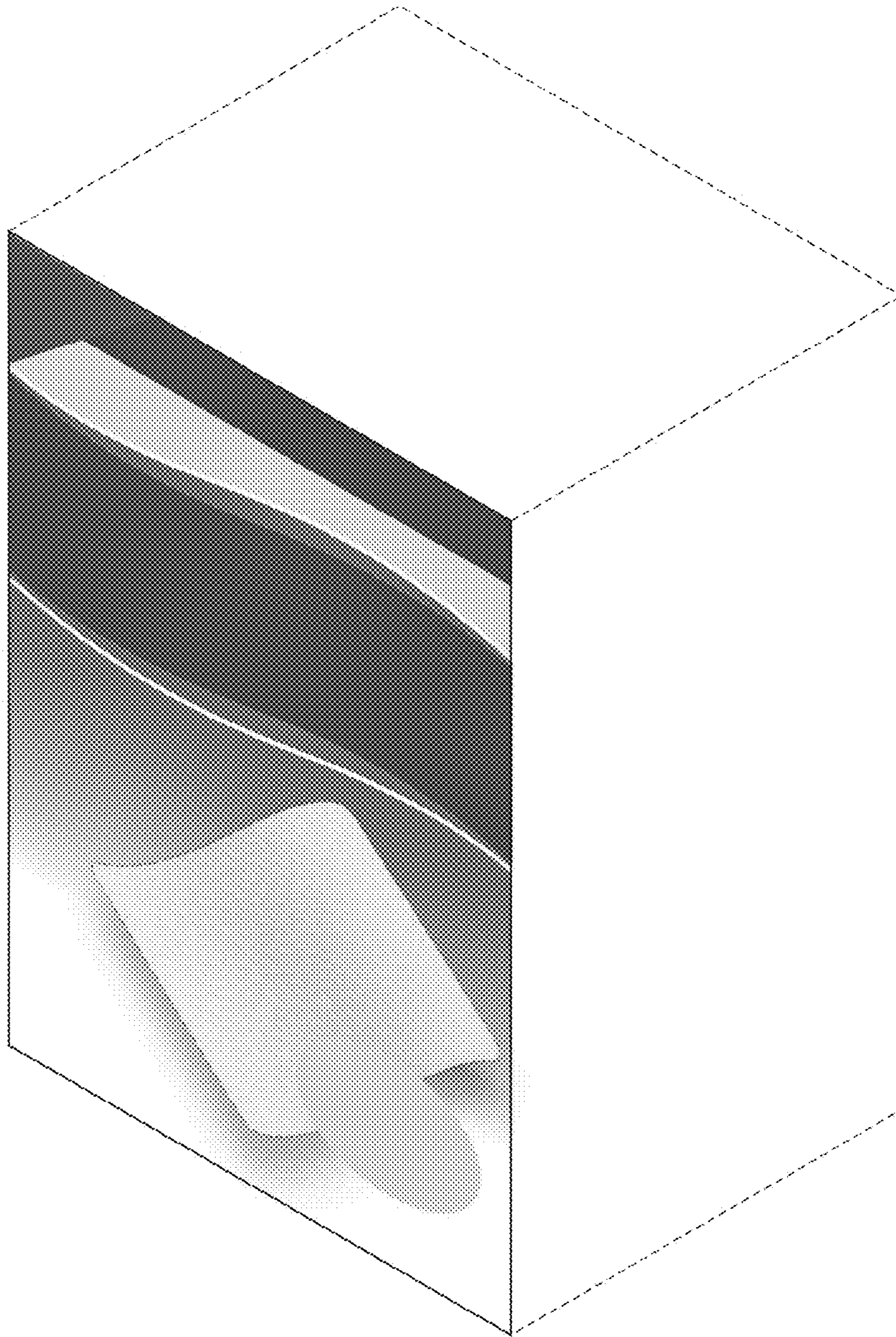


FIG.7

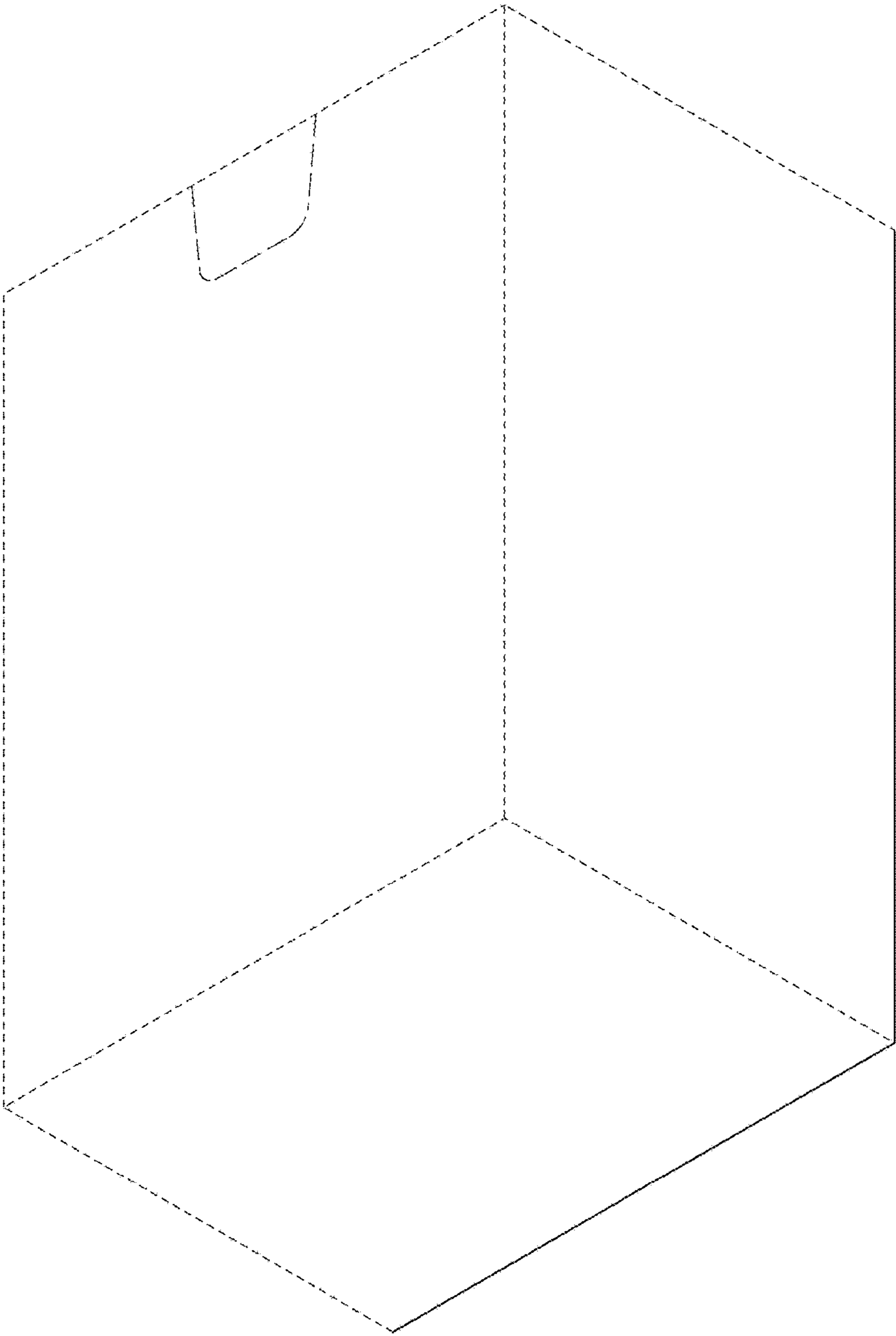


FIG.8