



US00D774393S

(12) **United States Design Patent** (10) **Patent No.:** **US D774,393 S**
Wu (45) **Date of Patent:** **** Dec. 20, 2016**

(54) **BOX INSERT**
(71) Applicant: **TAIWAN FU HSING INDUSTRIAL CO., LTD.**, Kaohsiung (TW)
(72) Inventor: **Yi-Jen Wu**, Kaohsiung (TW)
(73) Assignee: **TAIWAN FU HSING INDUSTRIAL CO., LTD.**, Kaohsiung (TW)
(**) Term: **15 Years**
(21) Appl. No.: **29/537,005**
(22) Filed: **Aug. 21, 2015**
(51) **LOC (10) Cl.** **09-07**
(52) **U.S. Cl.**
USPC **D9/456**
(58) **Field of Classification Search**
USPC D9/415, 433-435, 440, 446-450, D9/452-457, 499; D7/387, 388, 396.2, D7/396.4, 396.6, 398, 403, 509, 510, 511; D3/202, 203.2, 247, 294, 304, 318; D28/91.1; D8/343, 346, 352, 380, 381, D8/382, 397, 399
CPC A61J 1/00; A61J 1/1412; B65D 1/00; B65D 1/02; B65D 1/10; B65D 1/46; B65D 2585/56; B65D 41/00; B65D 41/56; B65D 41/62; B65D 47/06; B65D 47/08; B65D 2543/00046; B65D 2543/00092; B65D 2543/00296
See application file for complete search history.

(56) **References Cited**
U.S. PATENT DOCUMENTS
3,282,437 A * 11/1966 Hansen A47F 7/0064 211/41.7
3,334,798 A * 8/1967 Pezely, Jr. A63F 9/1204 206/523
3,439,860 A * 4/1969 Wienecke, Jr. B65D 85/30 206/521
D234,075 S * 1/1975 Clark D9/456

D288,273 S * 2/1987 Gould D7/586
D306,696 S * 3/1990 Futter D9/415
5,078,155 A * 1/1992 Grandel A24F 19/00 131/231
D353,770 S * 12/1994 Prince D9/455
D358,095 S * 5/1995 Weimer D9/433
D403,580 S * 1/1999 Stading-Mann D9/434
D557,108 S * 12/2007 Navin D8/346
D615,402 S * 5/2010 Doster D20/22
8,230,997 B1 * 7/2012 McWilliams B65D 5/5038 206/139
8,292,082 B2 * 10/2012 Bowman B65D 5/48042 206/756
8,777,019 B2 * 7/2014 Dovell A45C 11/20 211/194
D714,149 S * 9/2014 Cedeno D7/504
D757,549 S * 5/2016 Kuo D9/432
2009/0223857 A1 * 9/2009 Bowman B65D 5/48042 206/756

* cited by examiner

Primary Examiner — Karen S Acker
Assistant Examiner — Wendy Arminio
(74) *Attorney, Agent, or Firm* — Jackson IPG PLLC;
Demian K. Jackson

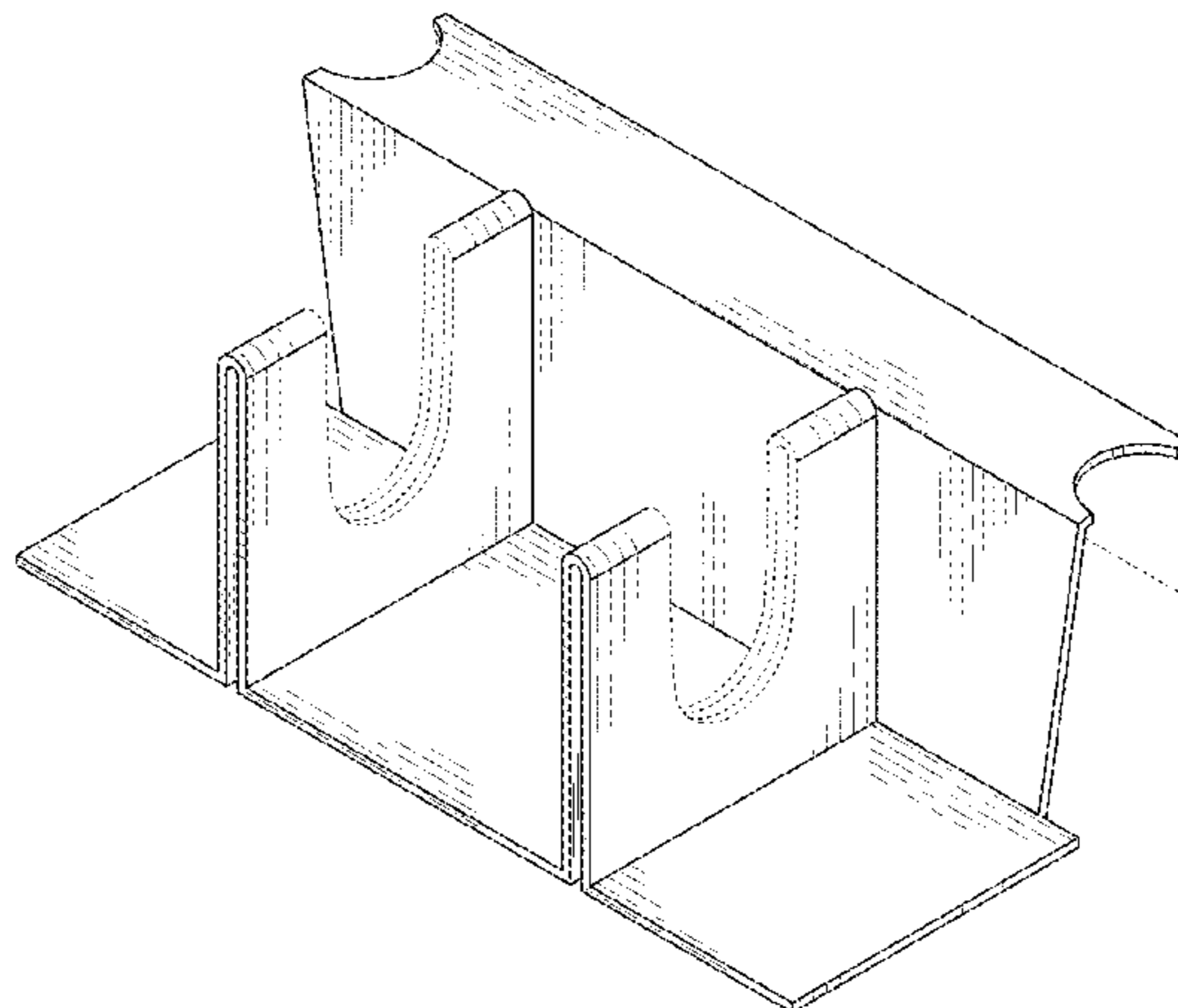
(57) **CLAIM**

The ornamental design for a box insert, as shown and described.

DESCRIPTION

FIG. 1 is a perspective view of a box insert showing our new design;
FIG. 2 is a front elevational view thereof;
FIG. 3 is a top plan view thereof;
FIG. 4 is a right side elevational view thereof;
FIG. 5 is a left side elevational view thereof;
FIG. 6 is a rear elevational view thereof; and,
FIG. 7 is a bottom plan view thereof.
The broken lines shown in the drawings depict environmental subject matter only and form no part of the claimed design.

1 Claim, 4 Drawing Sheets



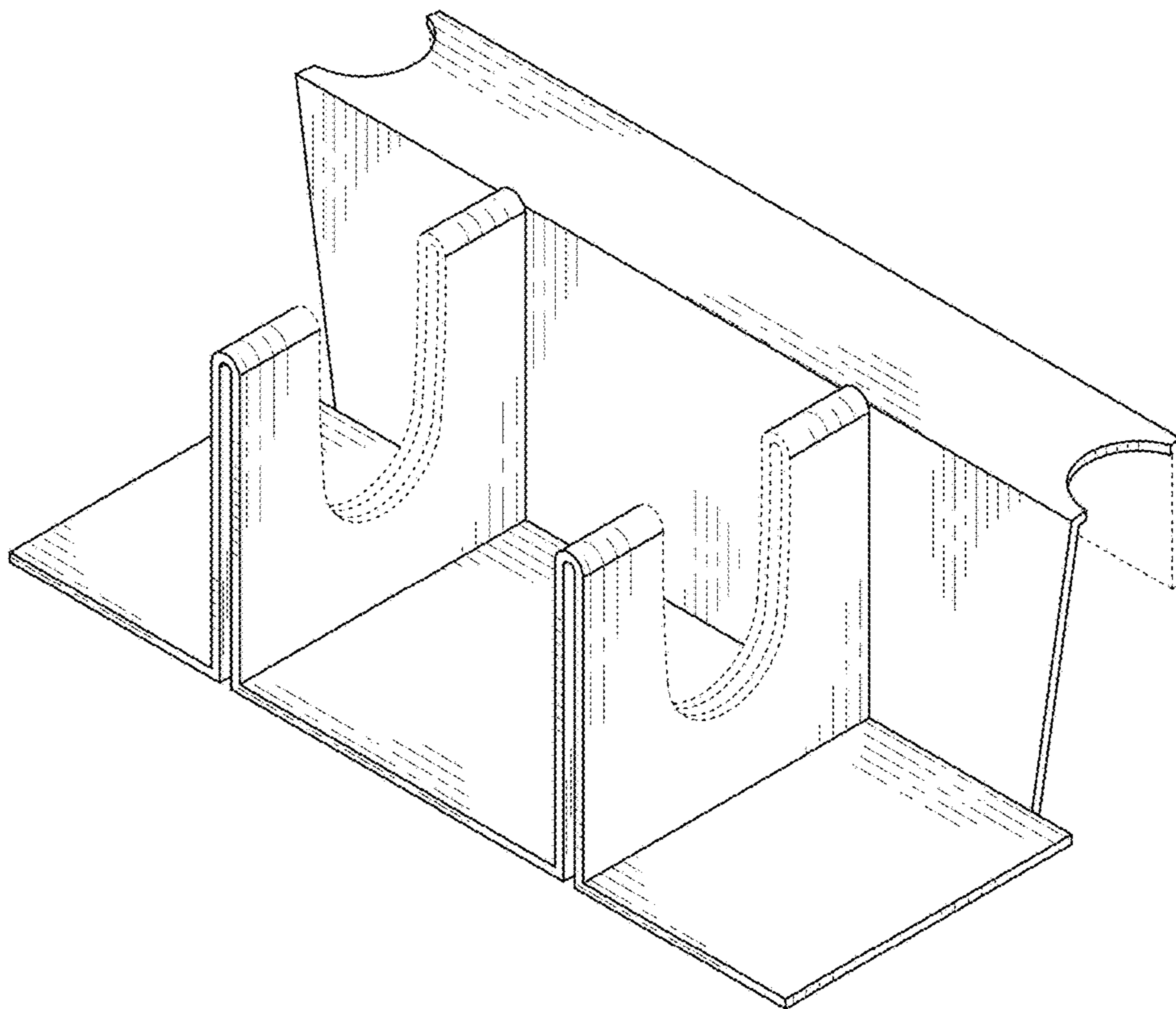


FIG. 1

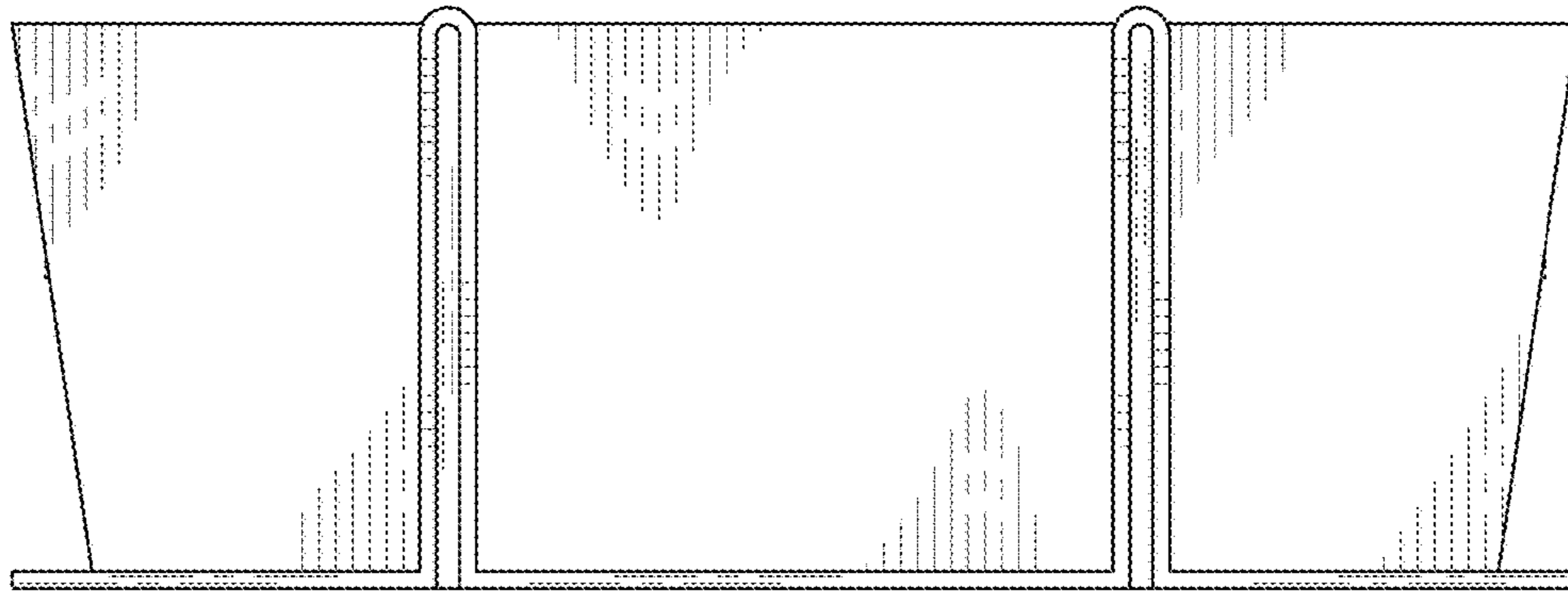


FIG. 2

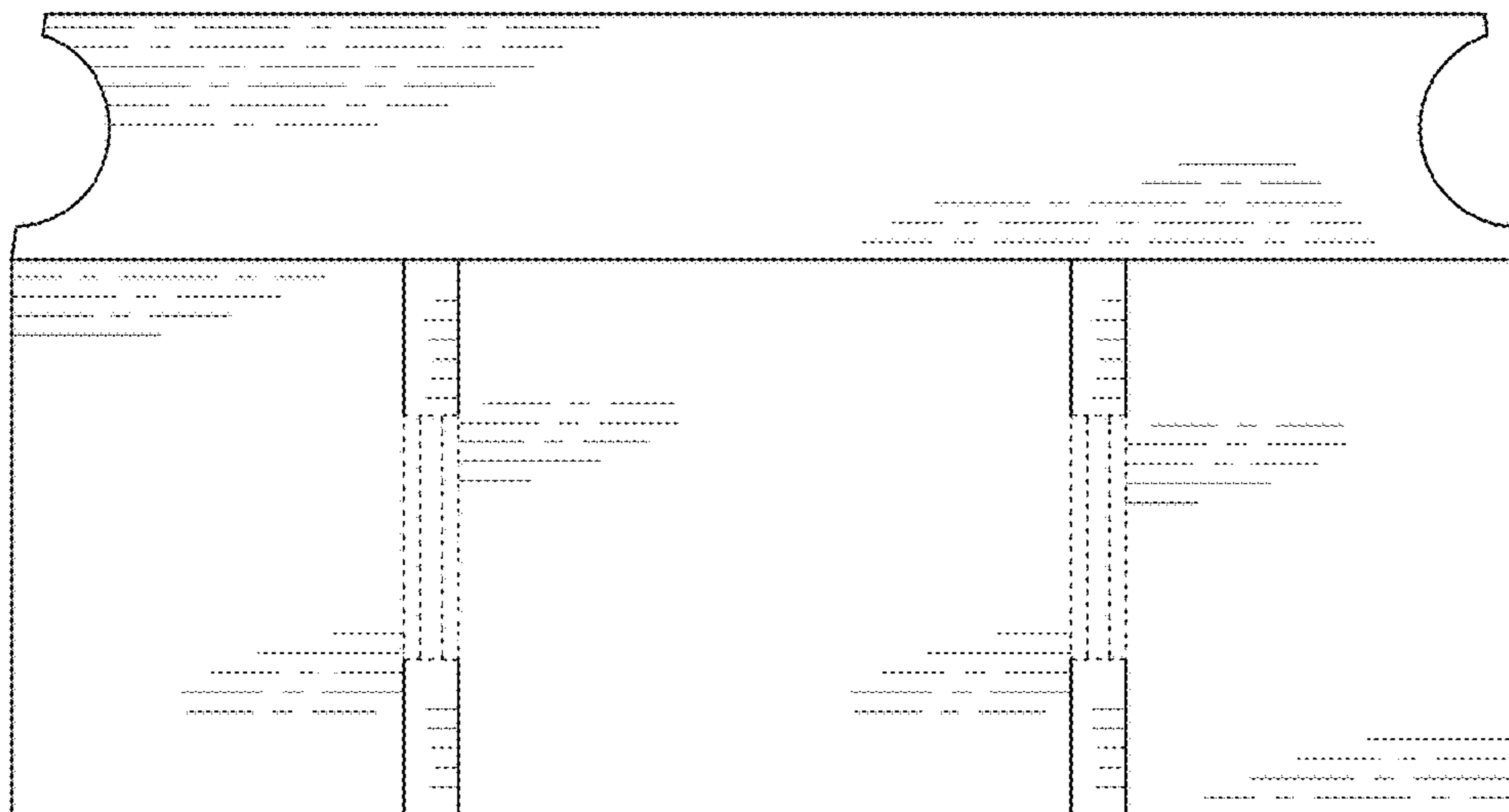


FIG. 3

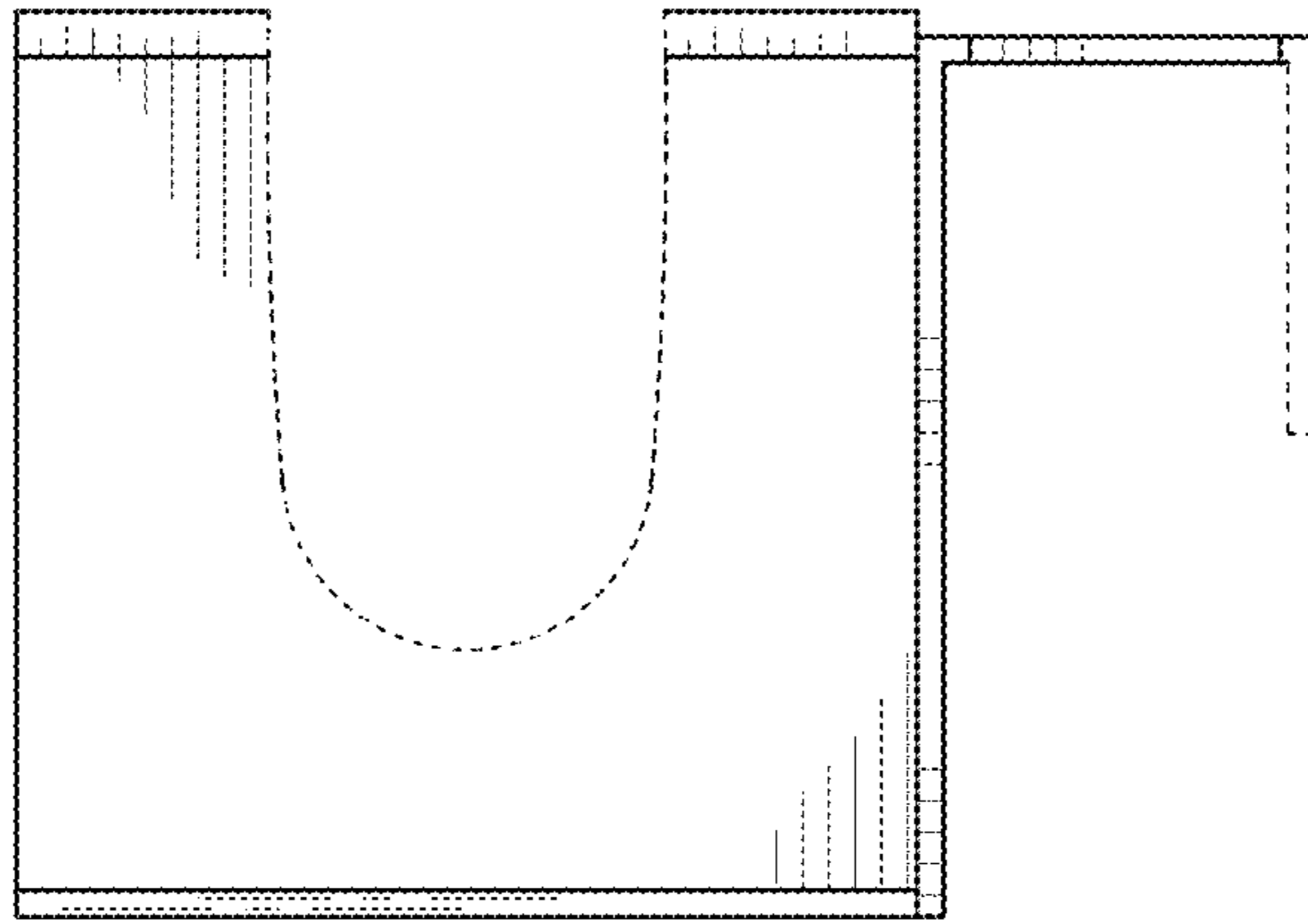


FIG. 4

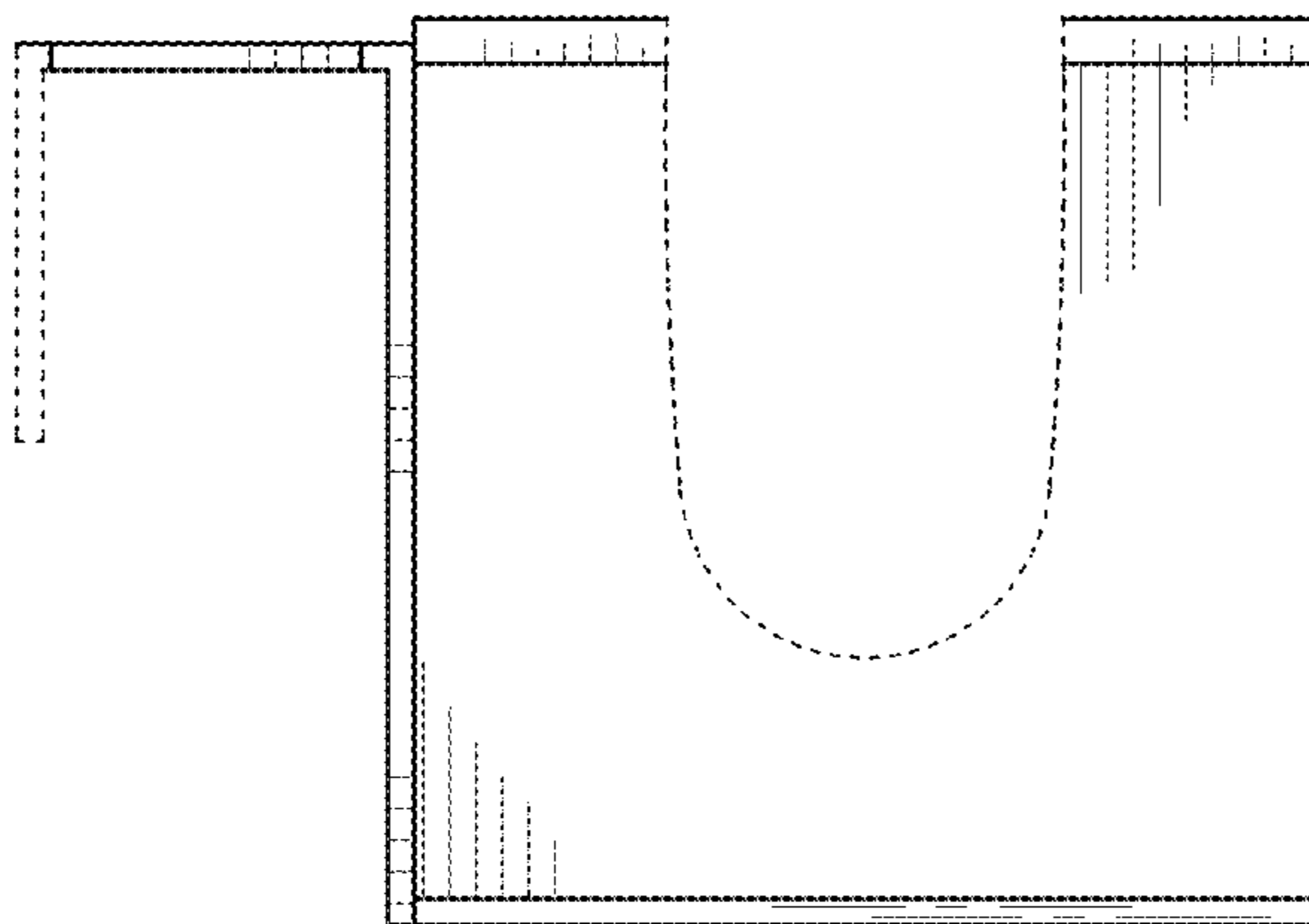


FIG. 5

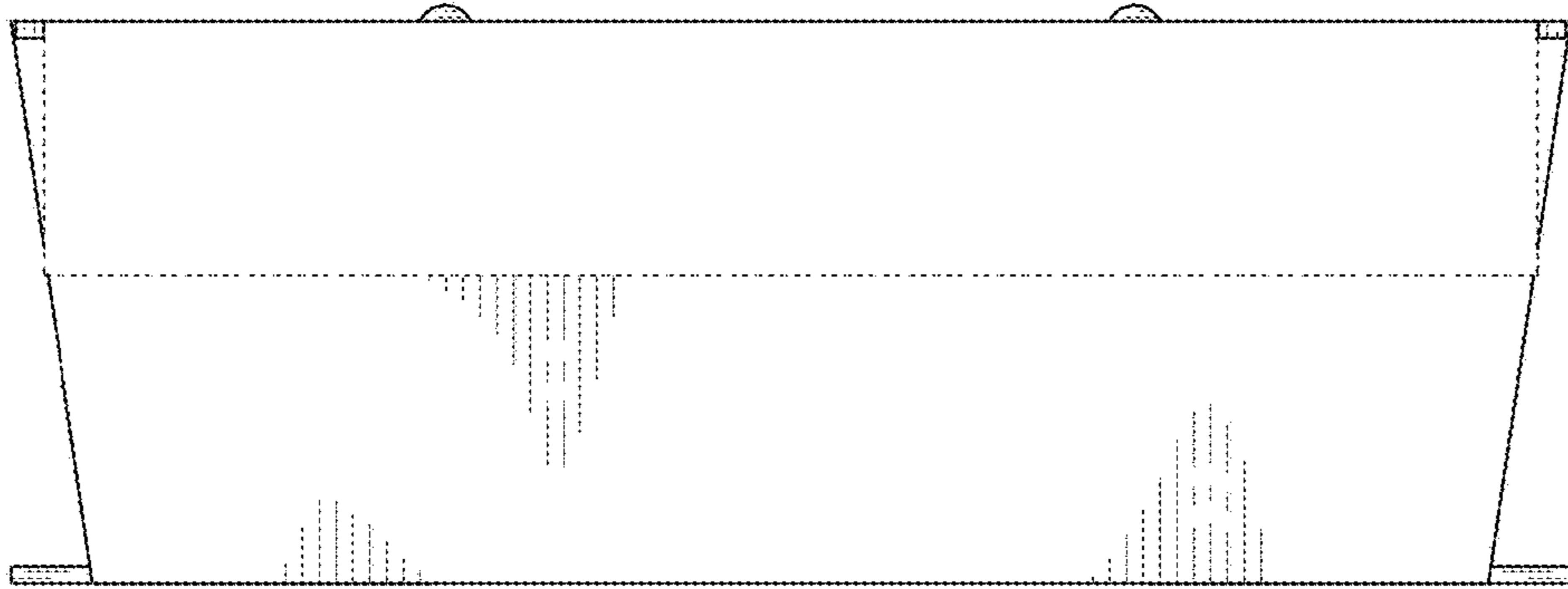


FIG. 6

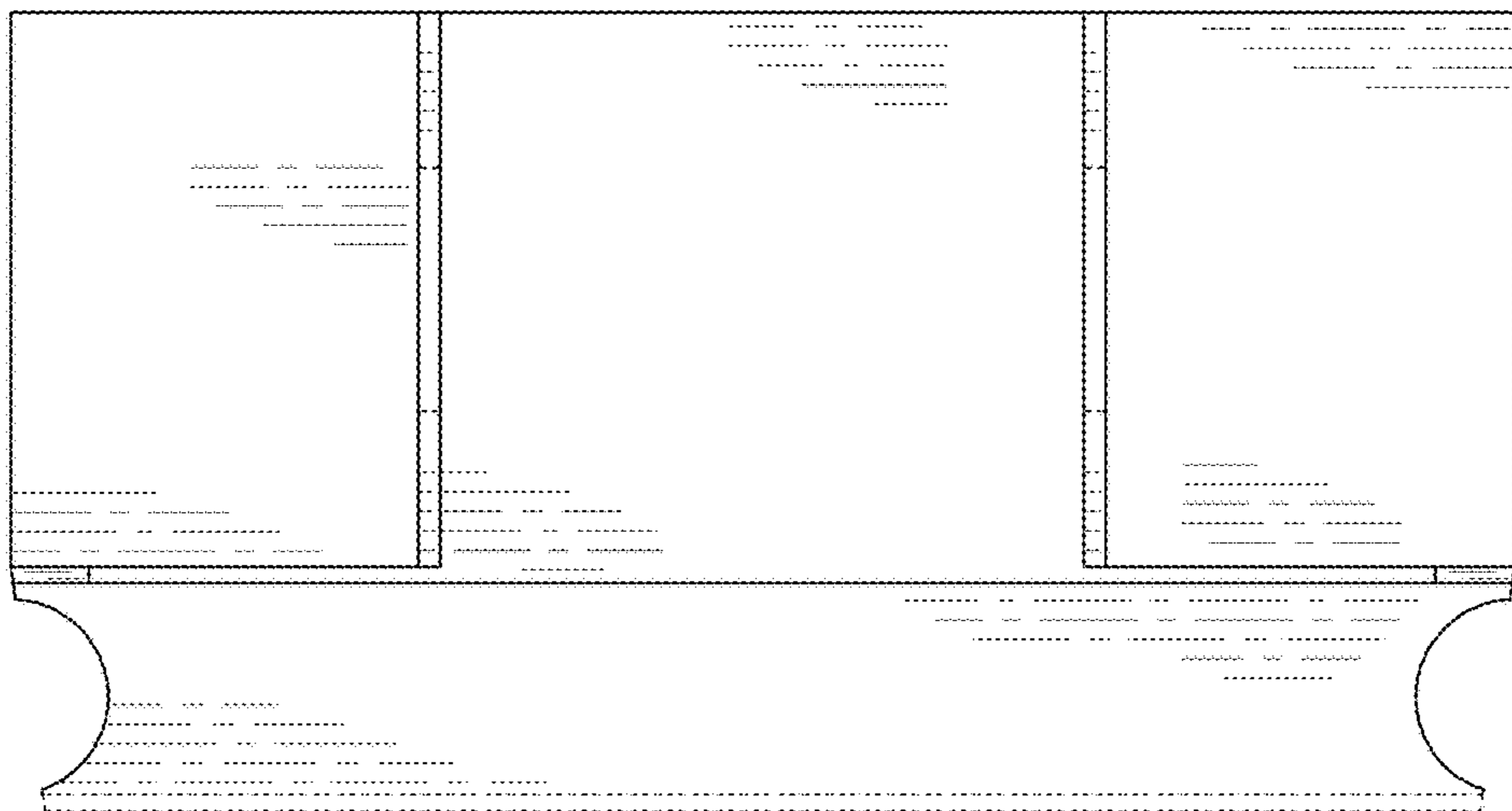


FIG. 7