



US00D774392S

(12) **United States Design Patent** (10) **Patent No.:** **US D774,392 S**
Broad (45) **Date of Patent:** **** Dec. 20, 2016**

- (54) **CHAMBERED BOTTLE CAP**
- (71) Applicant: **Gordon Lauvi Alapa Broad**, Haaula, HI (US)
- (72) Inventor: **Gordon Lauvi Alapa Broad**, Haaula, HI (US)
- (**) Term: **15 Years**
- (21) Appl. No.: **29/528,144**
- (22) Filed: **May 26, 2015**
- (51) **LOC (10) Cl.** **09-01**
- (52) **U.S. Cl.**
USPC **D9/453**; D9/434; D9/435
- (58) **Field of Classification Search**
USPC D3/202, 318; D7/300, 300.1, 316, 317, D7/387, 391, 392.1, 393, 396.2, 398, 509, D7/510, 511, 523-531, 538, 541, 549, D7/629, 703, 900; D9/434, 435, 436, 438, D9/439, 440, 443, 446-450, 452, 453, D9/454, 502, 503, 504, 516, 517, 529, D9/723, 724, 746, 763, 774; D19/70, 71, D19/115, 162, 163, 165, 192, 194; D24/121, 127, 199, 224; D23/206, 208, D23/227, 259, 260; D28/7, 76, 78, 82, D28/85, 91; 215/235, 236, 307, 311; 220/254.2, 254.5, 259.3, 715, 837; 222/92, 215, 386, 490, 531, 536
CPC B65D 23/00; B65D 1/00; B65D 1/02; B65D 1/0223; B65D 51/18; B65D 41/62
See application file for complete search history.

(56) **References Cited**

U.S. PATENT DOCUMENTS

- 3,934,745 A * 1/1976 Lovell B65D 50/045
215/224
- 4,093,093 A * 6/1978 Fowles B65D 50/067
215/232
- D257,831 S * 1/1981 Welch D9/445
- D352,896 S * 11/1994 Jones D9/503
- D385,191 S * 10/1997 Cheek D9/436
- D398,851 S * 9/1998 Gaiser D9/447

- D477,225 S * 7/2003 Pinnavaia D9/435
- D492,596 S * 7/2004 Miceli D9/435
- 6,945,393 B2 9/2005 Cho
- D531,036 S * 10/2006 Bried D9/504
- D536,614 S * 2/2007 Peterson D9/454
- D539,480 S * 3/2007 Kostow D28/76
- D620,358 S * 7/2010 Jewett D9/439
- D630,944 S * 1/2011 Kawamura D9/447
- D631,351 S * 1/2011 Coon D9/453
- 8,408,389 B1 * 4/2013 Anderson B65D 51/2835
206/222
- D697,400 S * 1/2014 Bragalone D9/416
- D703,009 S * 4/2014 Wampold D7/606
- D716,648 S * 11/2014 Tan D9/416

(Continued)

FOREIGN PATENT DOCUMENTS

BE 1013659 5/2002

Primary Examiner — Thomas Johannes
Assistant Examiner — Catherine Posthauer
(74) *Attorney, Agent, or Firm* — Seth M. Reiss

(57) **CLAIM**

I claim the ornamental design for a chambered bottle cap, as shown and described.

DESCRIPTION

FIG. 1 is a perspective view of the chambered bottle cap showing the top and front of my new design;
 FIG. 2 is a perspective view thereof, showing the back and bottom left sides;
 FIG. 3 is a perspective view thereof, showing the back and bottom right sides;
 FIG. 4 is a top plan view thereof;
 FIG. 5 is a bottom plan view thereof;
 FIG. 6 is a left side elevation view thereof;
 FIG. 7 is a right side elevation view thereof;
 FIG. 8 is a front side elevation view thereof;
 FIG. 9 is a back side elevation view thereof;
 FIG. 10 is a top perspective view thereof, in an open configuration;
 FIG. 11 is a top plan view thereof;
 FIG. 12 is a front elevation view thereof;

(Continued)

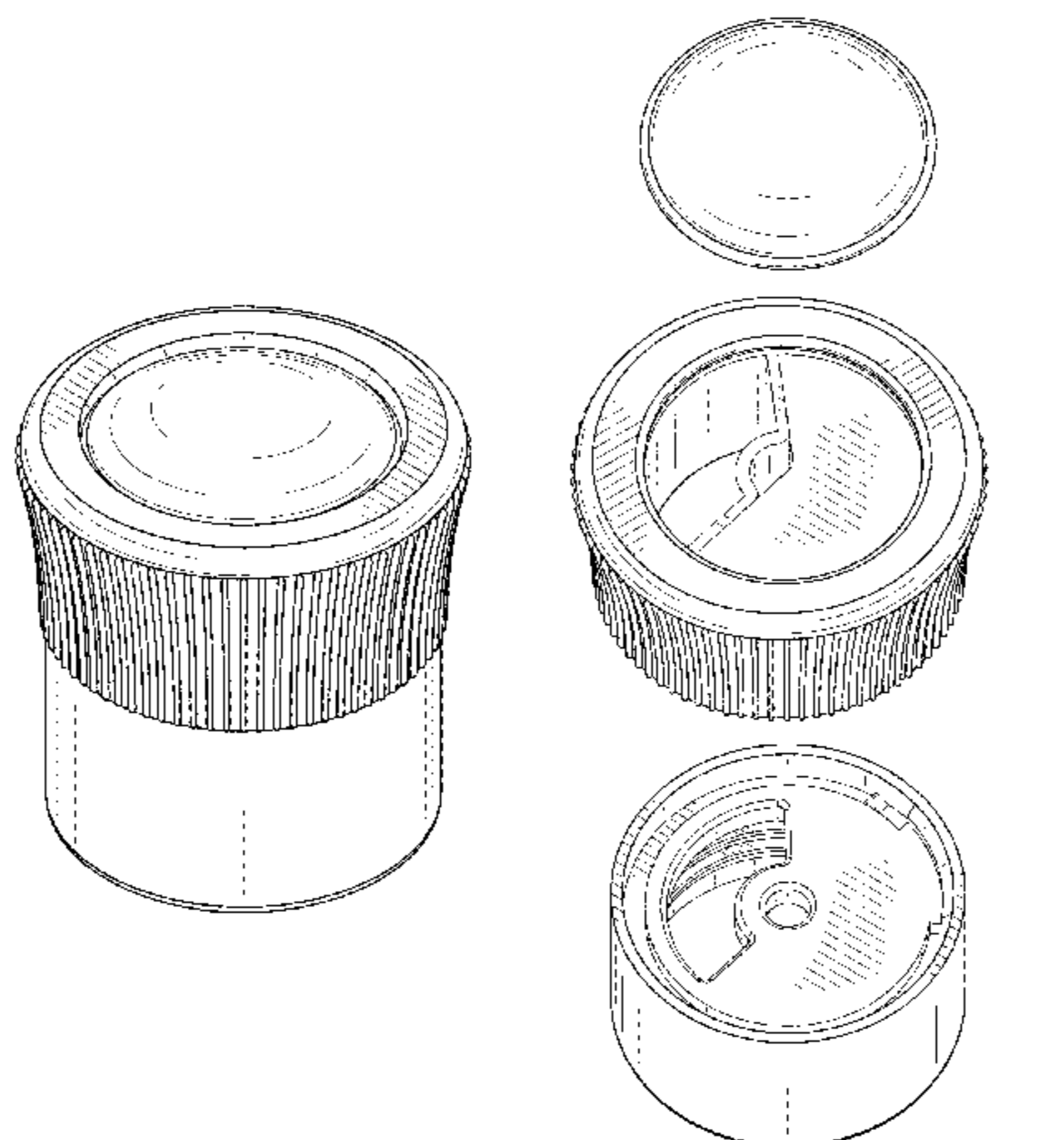


FIG. 13 is an exploded top perspective view thereof; and,
FIG. 14 is an exploded bottom perspective view thereof.

1 Claim, 10 Drawing Sheets

(56) **References Cited**

U.S. PATENT DOCUMENTS

D756,221	S *	5/2016	Koop	D9/453
2001/0035388	A1 *	11/2001	Miceli	B65D 41/06 215/228
2004/0149599	A1	8/2004	Cho	
2004/0200740	A1	10/2004	Cho	
2005/0279653	A1	12/2005	Williams-Lucas	
2007/0119727	A1	5/2007	Cho	
2008/0179331	A1 *	7/2008	Sharp	B65D 51/224 220/521
2009/0139882	A1	6/2009	DeJonge	
2009/0321380	A1	12/2009	Francomano	
2010/0116776	A1 *	5/2010	Szekely	B65D 47/40 215/329
2010/0282624	A1 *	11/2010	Paganuzzi	B65D 51/2807 206/222
2011/0174642	A1 *	7/2011	Coon	B65D 51/2835 206/222
2012/0152770	A1	6/2012	Dreyer	
2015/0144511	A1 *	5/2015	Hamway	B65D 81/3211 206/222
2016/0167847	A1 *	6/2016	Jung	B65D 50/041 215/216

* cited by examiner

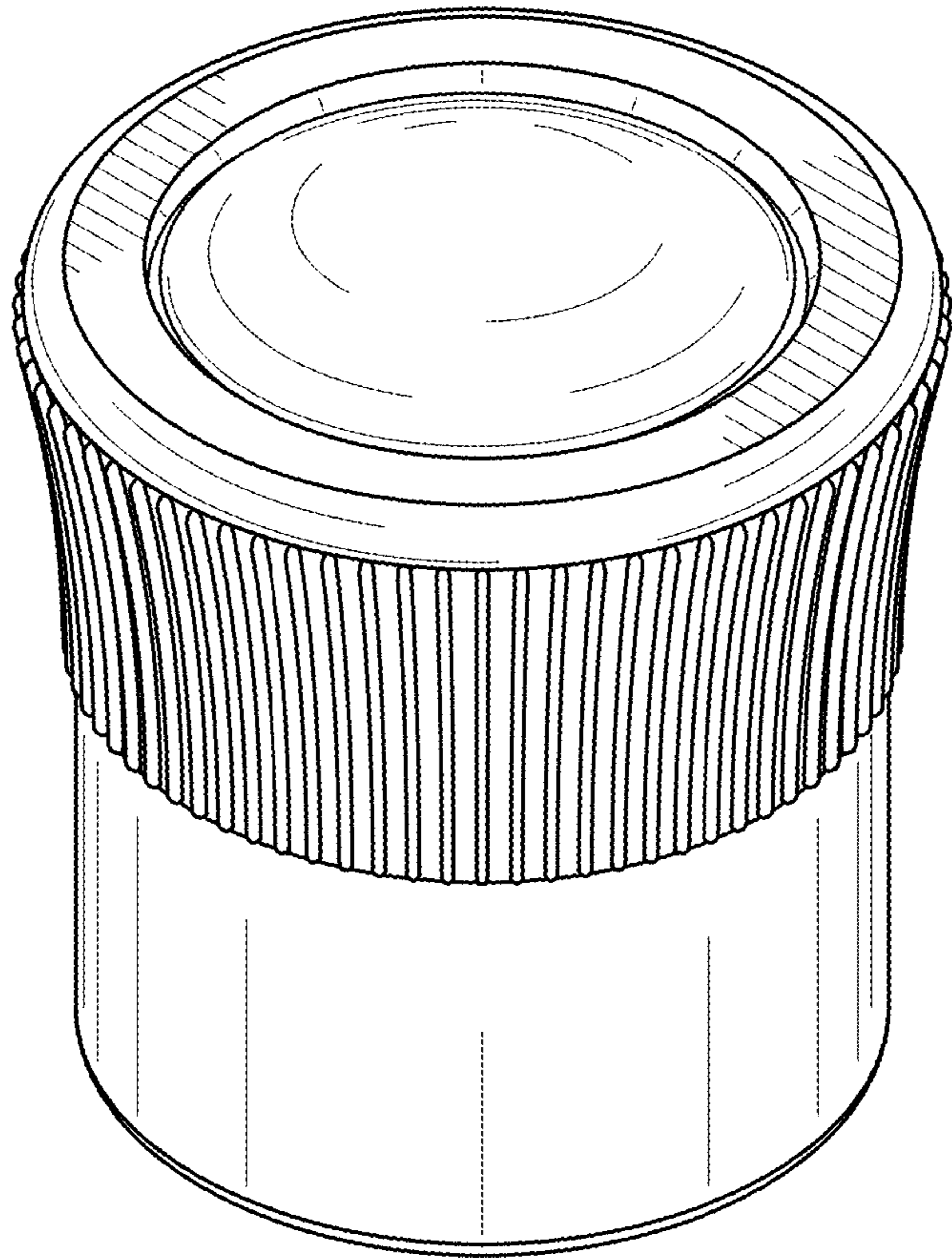


FIG. 1

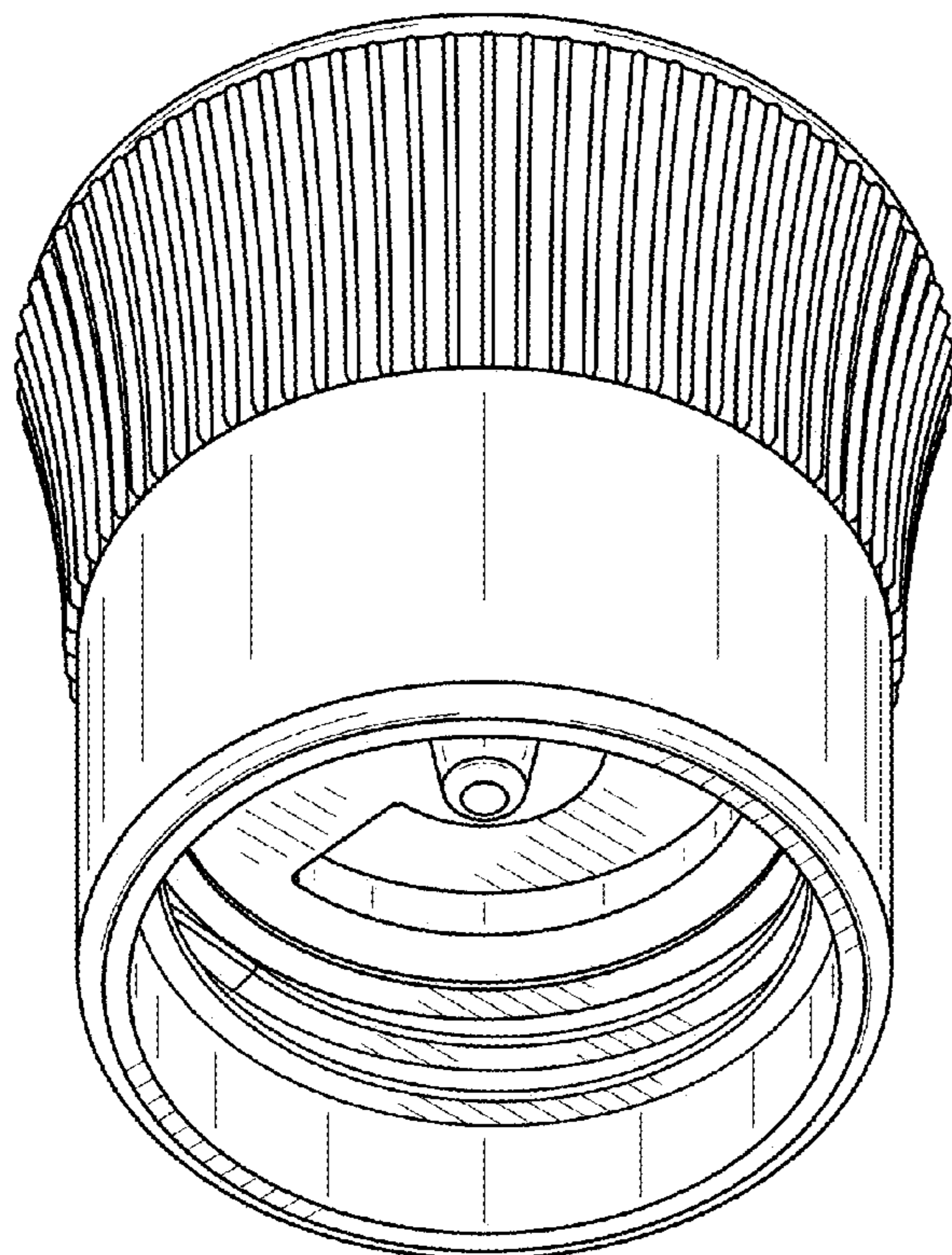


FIG. 2

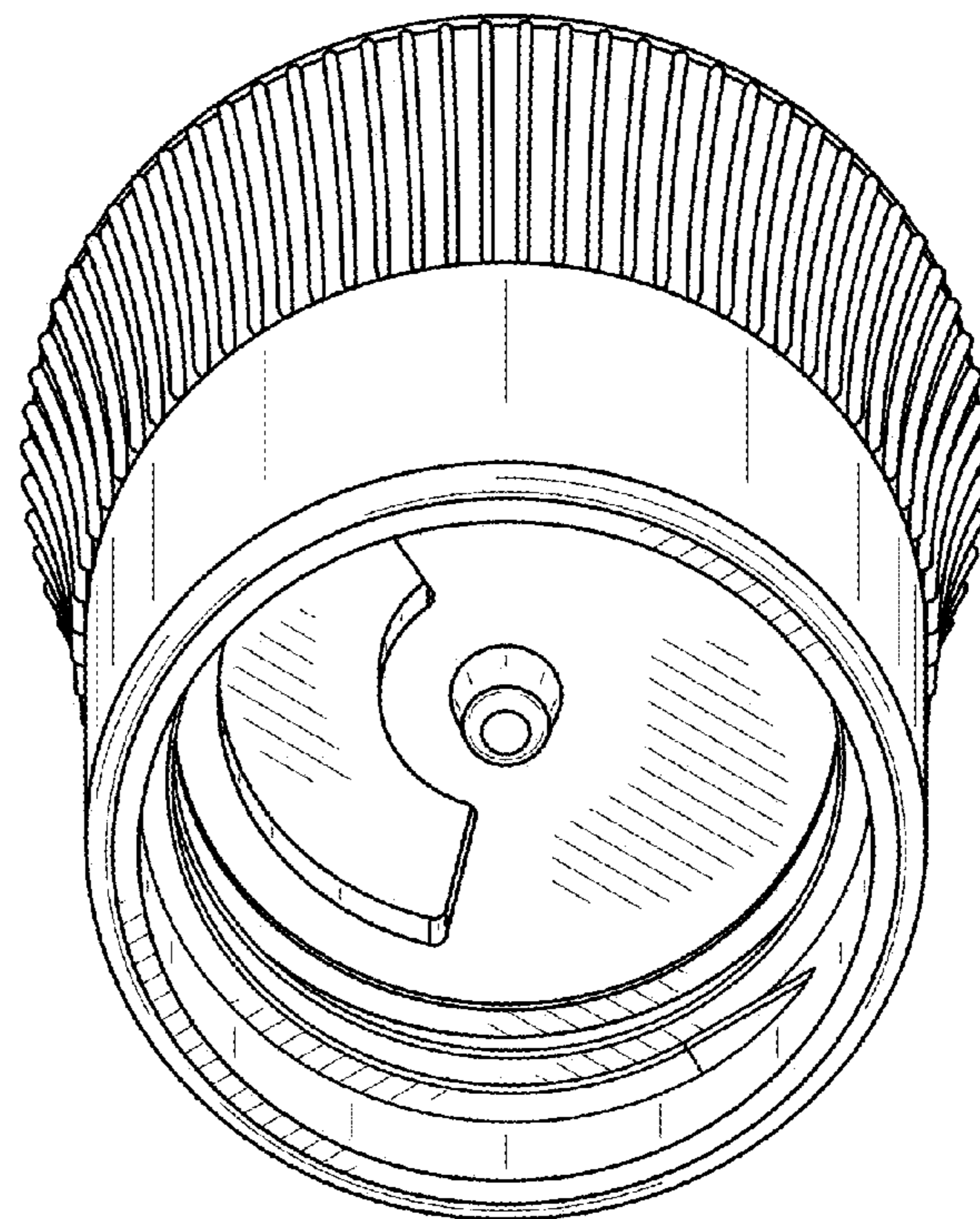


FIG. 3

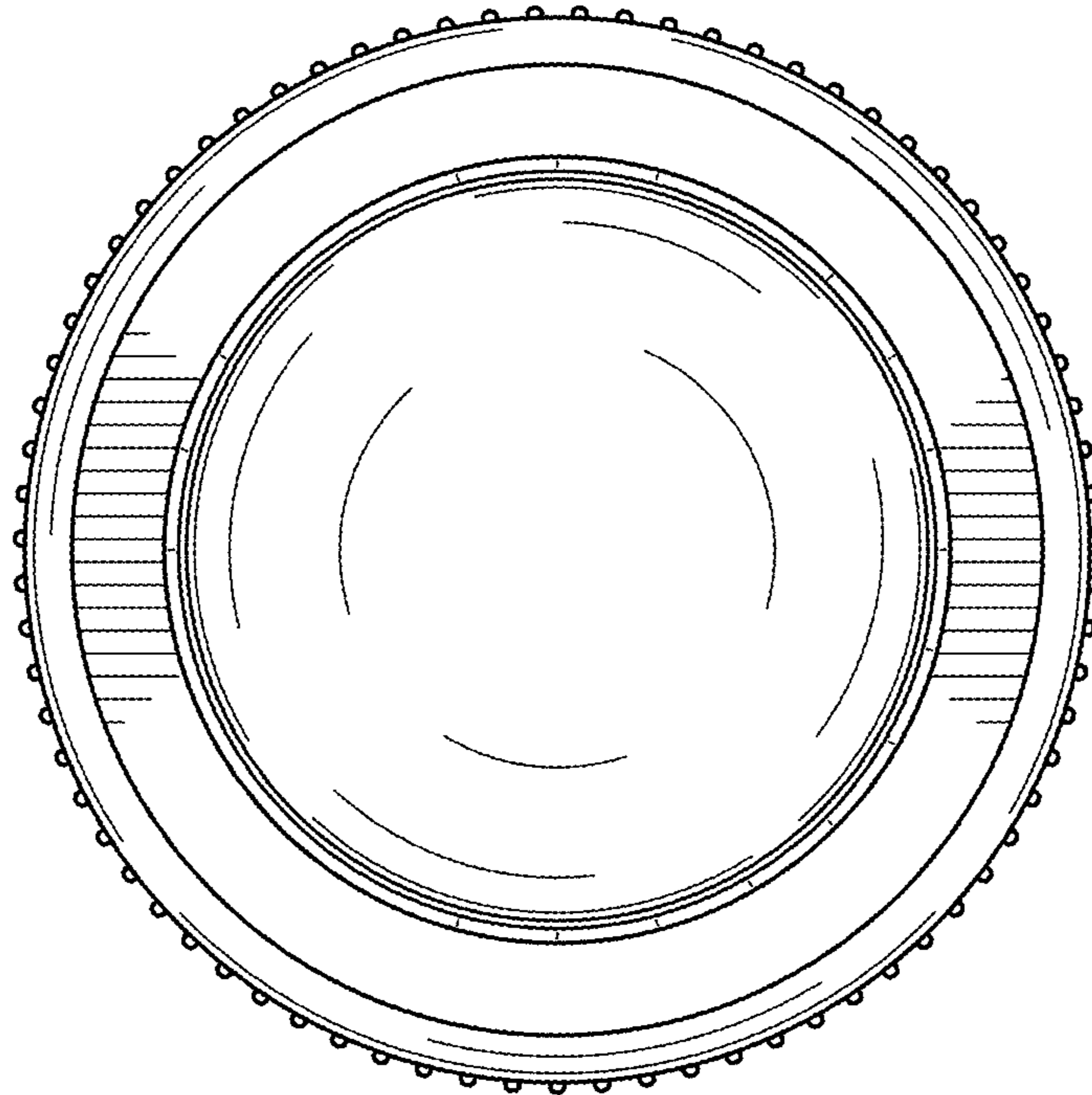


FIG. 4

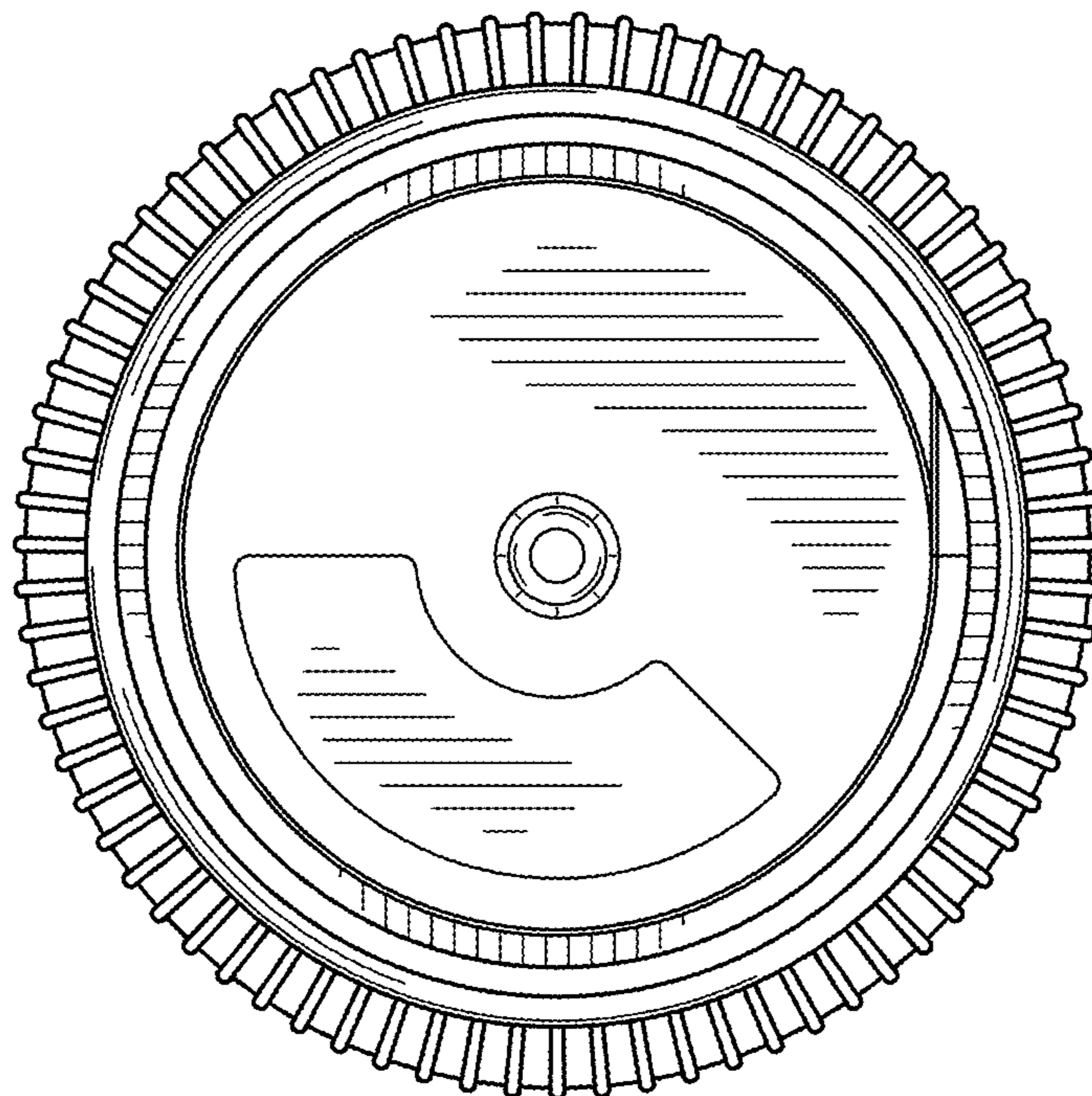


FIG. 5

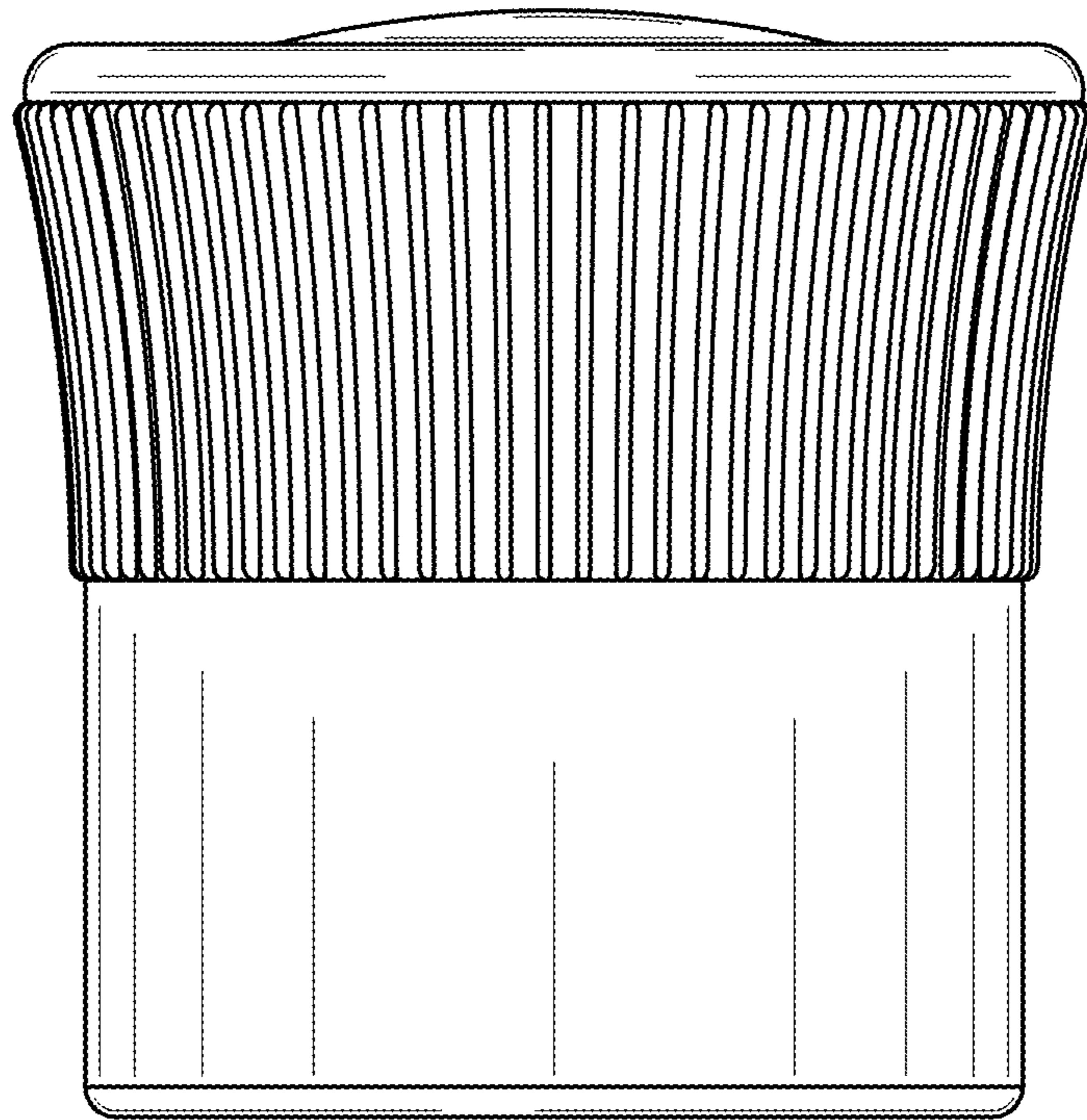


FIG. 6

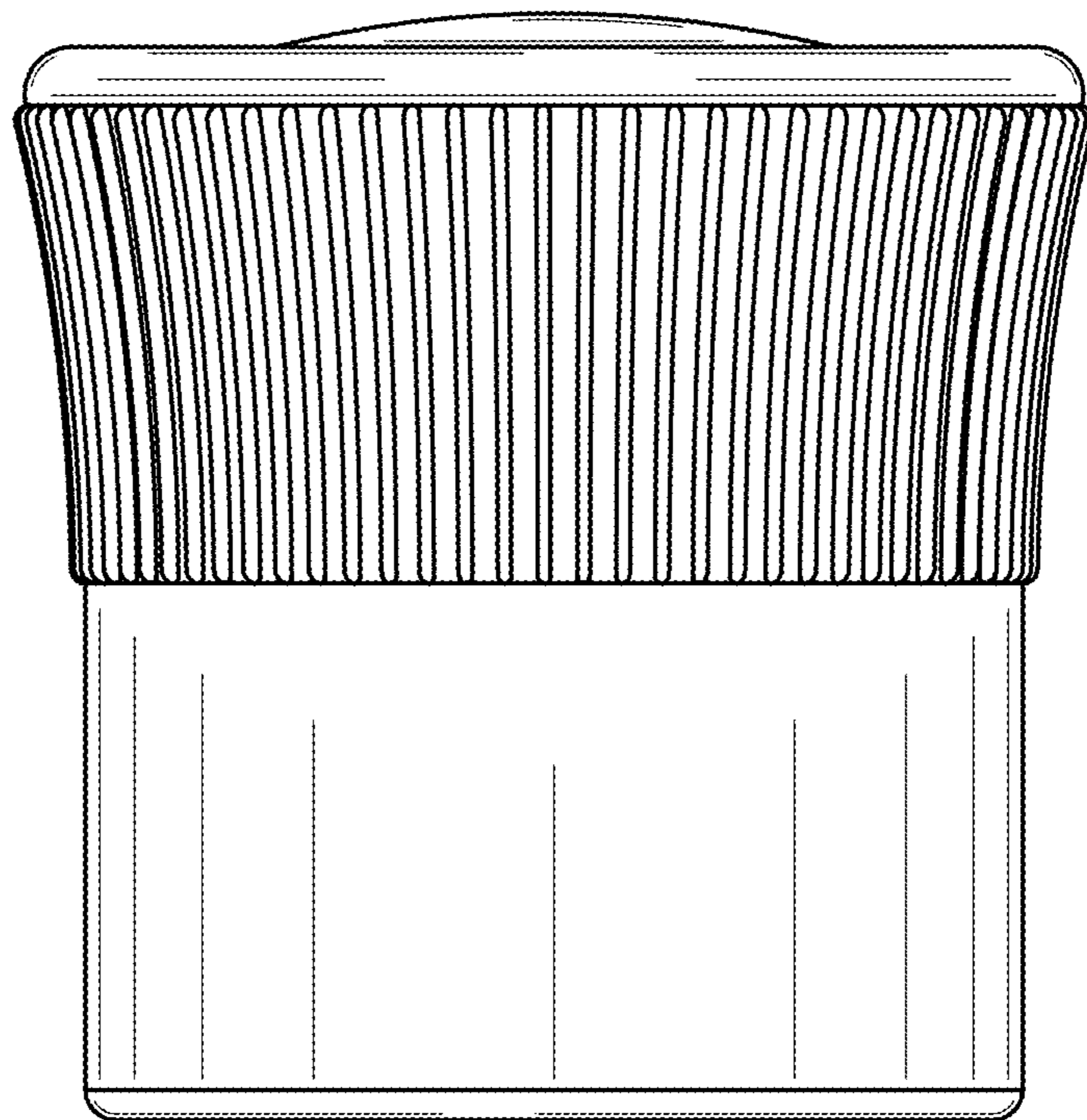


FIG. 7

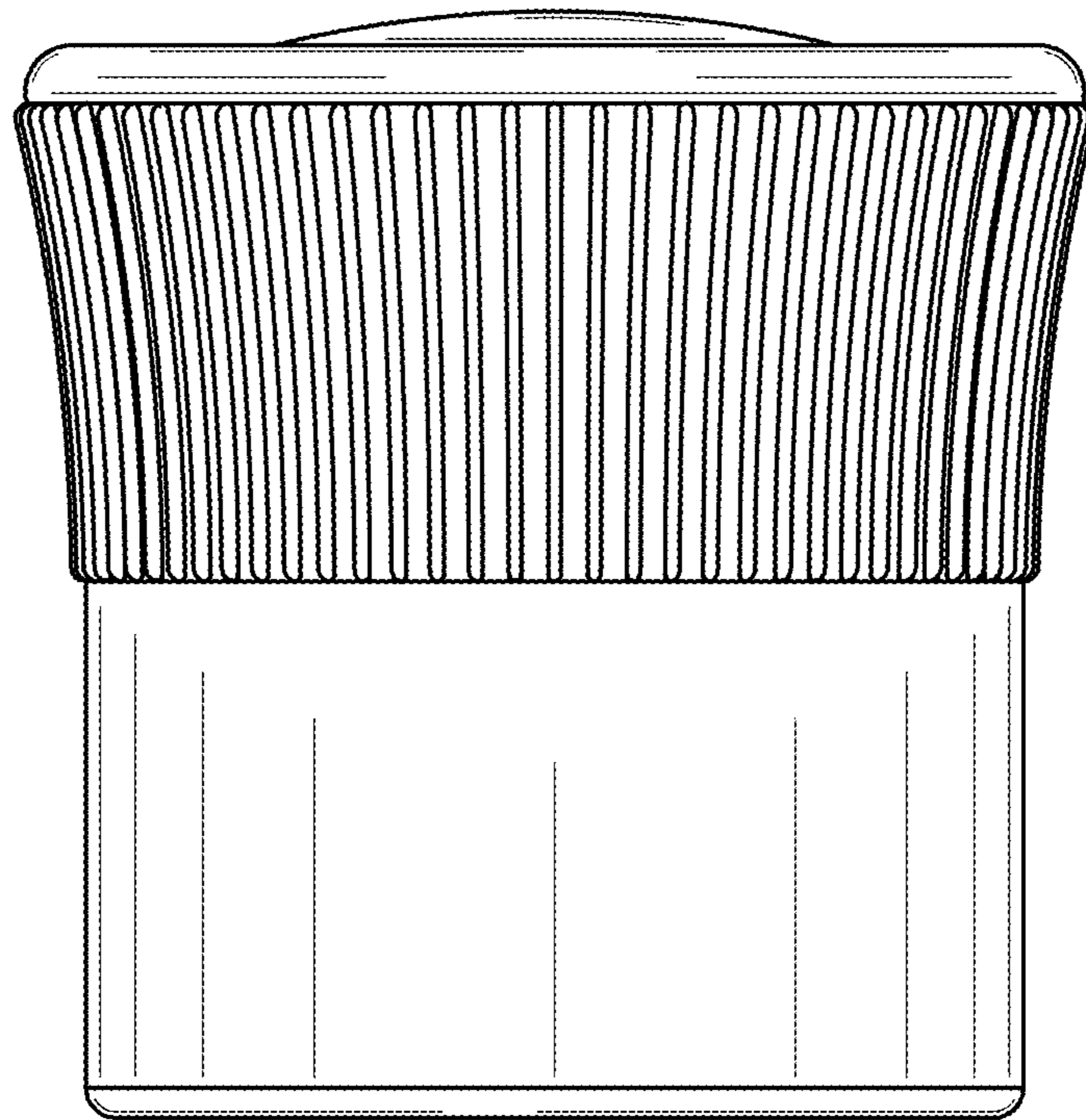


FIG. 8

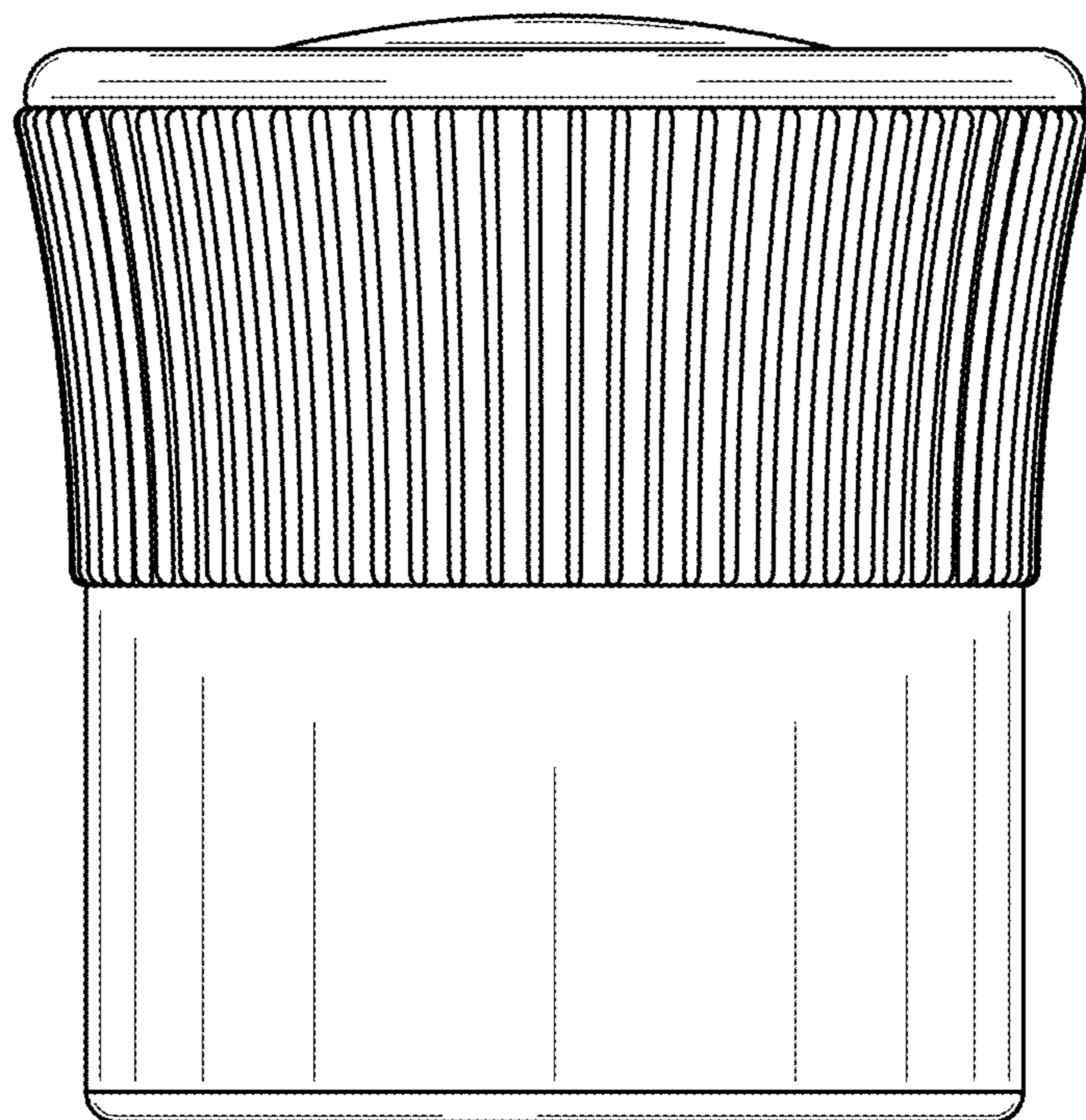


FIG. 9

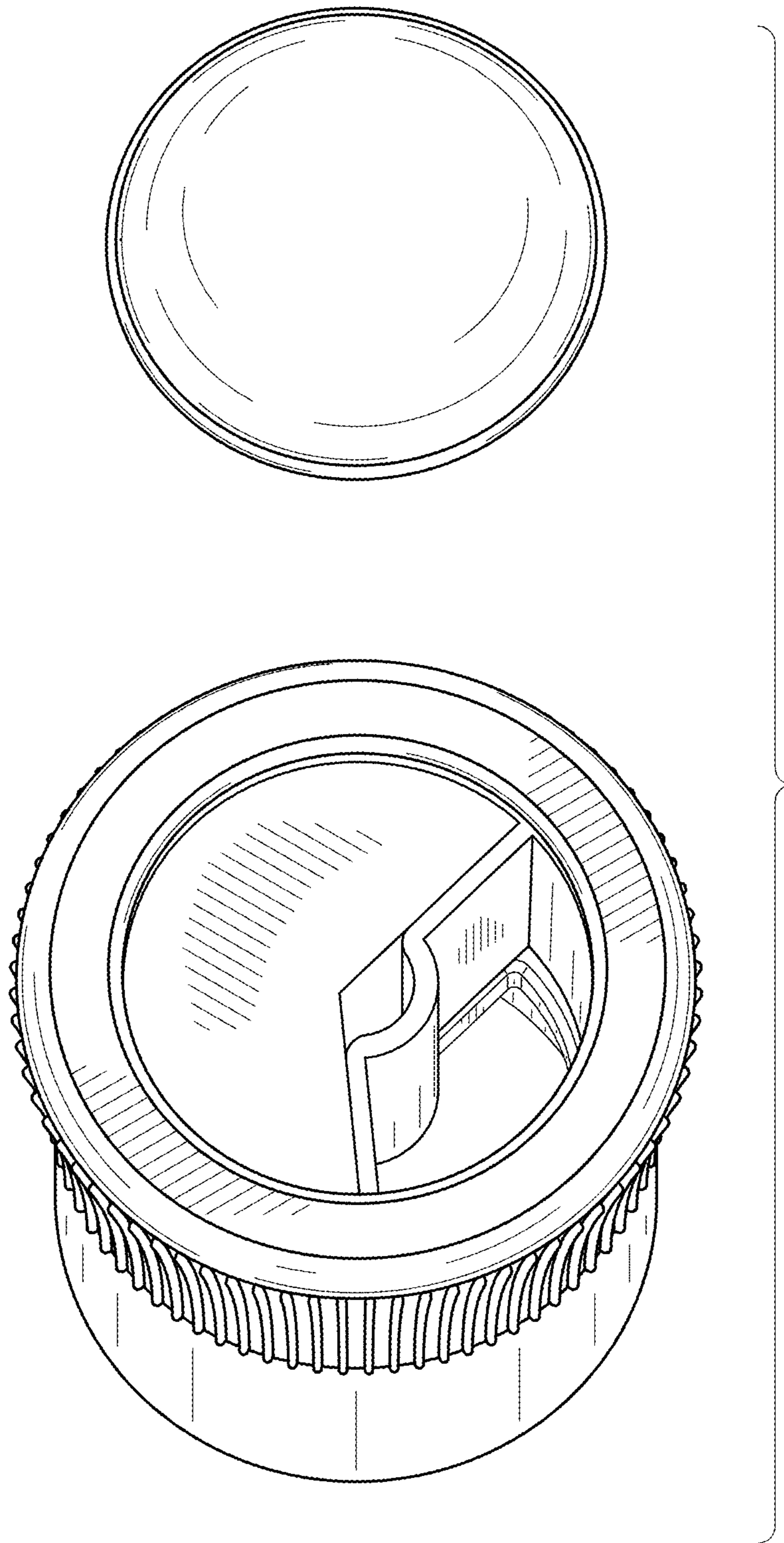


FIG. 10

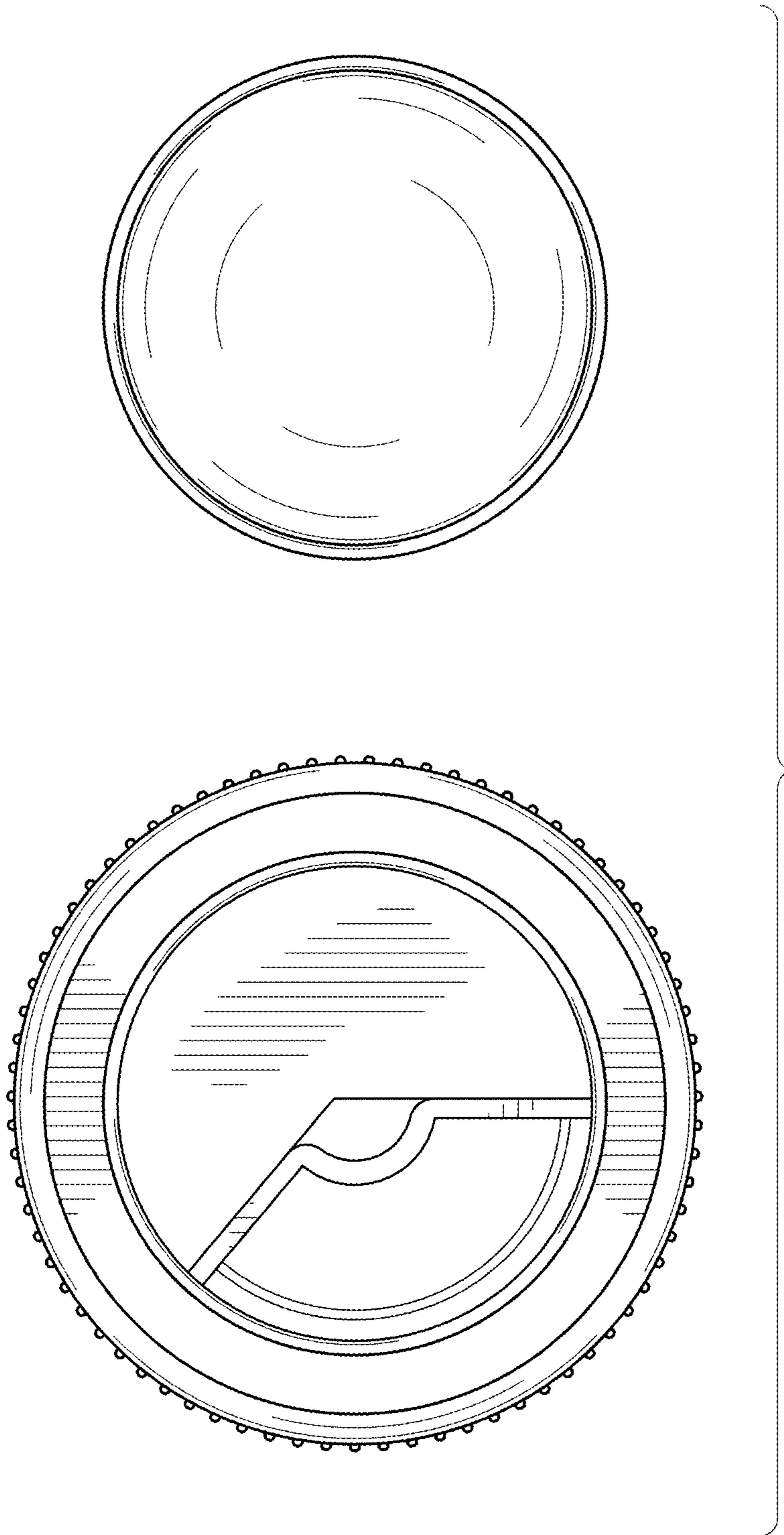


FIG. 11

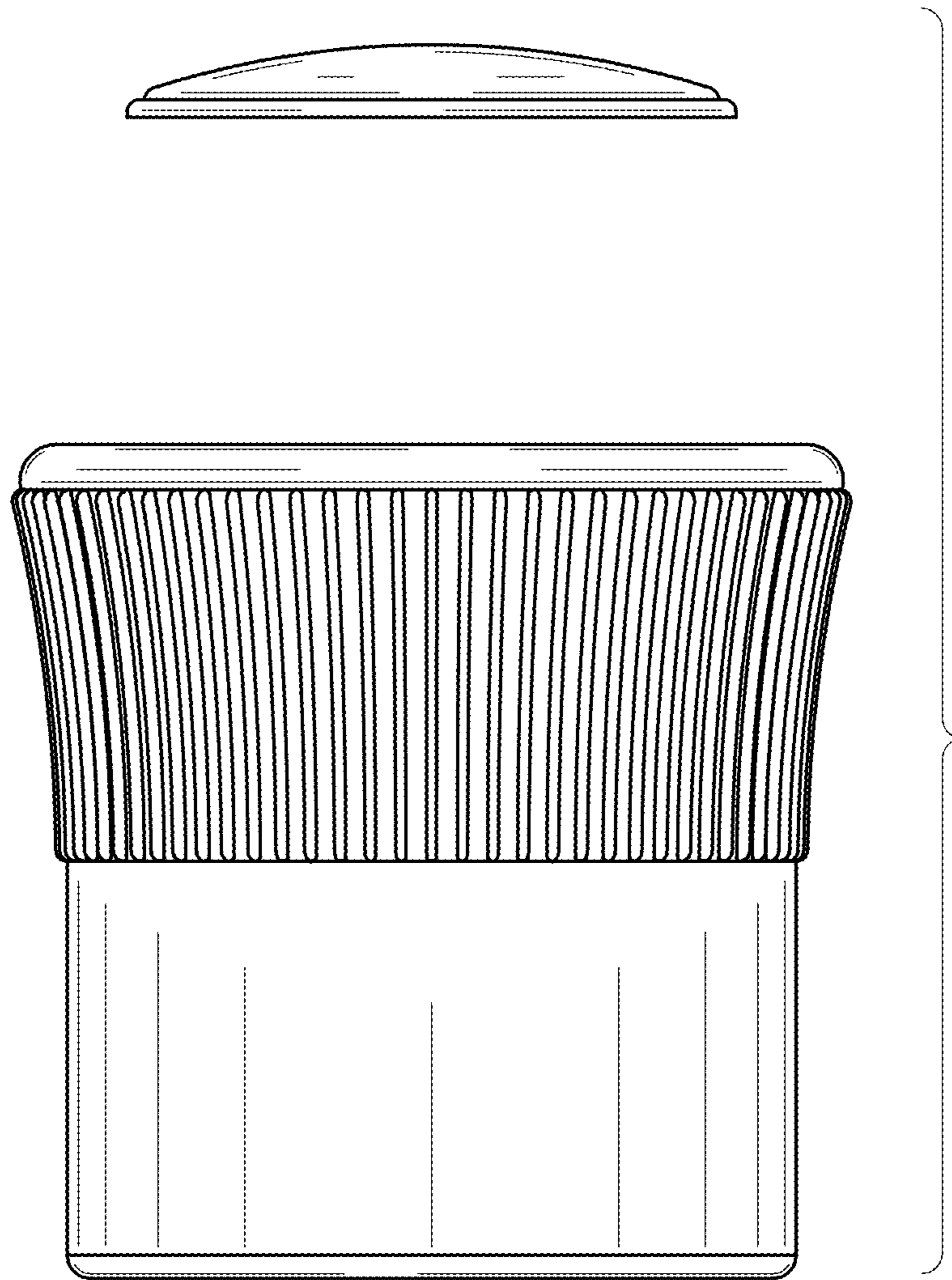


FIG. 12

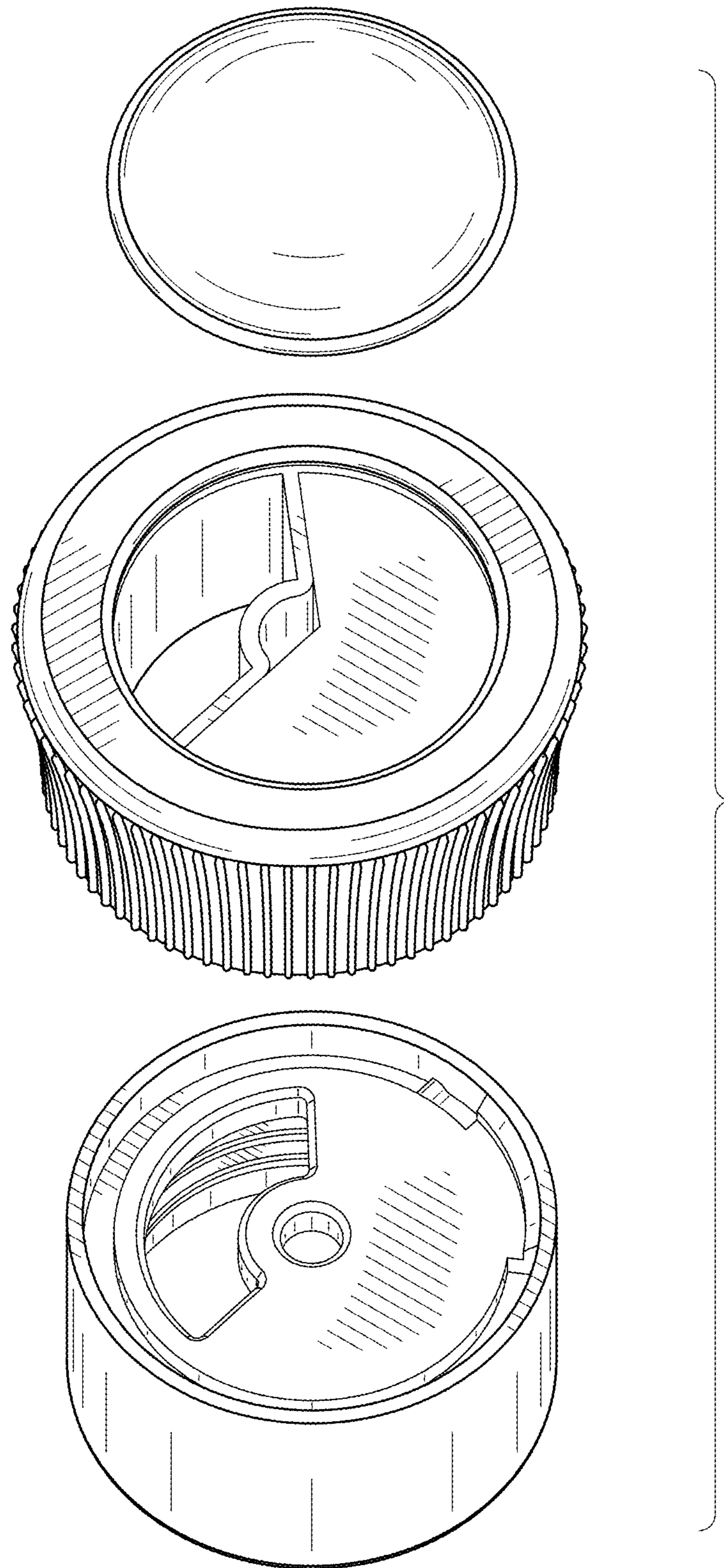


FIG. 13

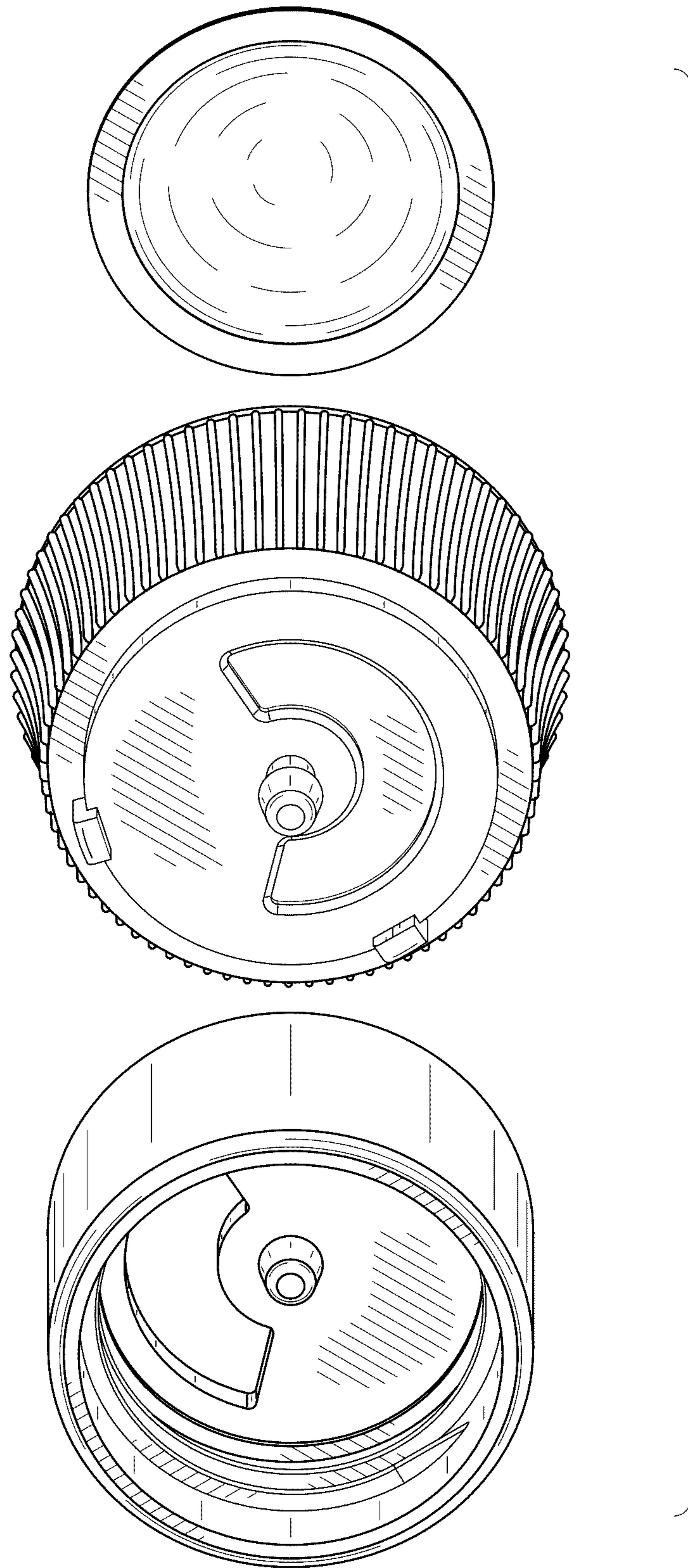


FIG. 14