



US00D774391S

(12) **United States Design Patent** (10) **Patent No.:** **US D774,391 S**
Aguero-Hernandez (45) **Date of Patent:** **** Dec. 20, 2016**

(54) **BAG CLOSURE**

(71) Applicant: **Ernesto A. Aguero-Hernandez**,
Medford, NJ (US)

(72) Inventor: **Ernesto A. Aguero-Hernandez**,
Medford, NJ (US)

(**) Term: **15 Years**

(21) Appl. No.: **29/533,179**

(22) Filed: **Jul. 15, 2015**

(51) **LOC (10) Cl.** **09-07**

(52) **U.S. Cl.**
USPC **D9/443**

(58) **Field of Classification Search**
USPC D7/633; D9/433-436, 439, 440, 443,
D9/444, 445, 447, 455-457, 499
CPC B65D 33/1675
See application file for complete search history.

(56) **References Cited**

U.S. PATENT DOCUMENTS

D31,999 S *	12/1899	Grelle	D9/434
D45,436 S *	3/1914	Thamm	D7/633
D141,501 S *	6/1945	Pentz	D7/633
5,473,796 A *	12/1995	Fusillo	B65D 33/1675
				24/30.5 R
6,105,217 A *	8/2000	Caradine	B65D 33/1675
				24/30.5 R
D512,307 S *	12/2005	Ahrens	D9/434
D702,550 S *	4/2014	Rendo	D9/434
D709,760 S *	7/2014	Castell, Jr.	D9/434
D730,164 S *	5/2015	Paulick	D8/382
2014/0283344 A1 *	9/2014	Aguero-Hernandez	B65D 33/1675
				24/545

OTHER PUBLICATIONS

Thingiverse. Ben Heck's Chip Clip. Aug. 4, 2014 [earliest online date], [site visited Oct. 11, 16]. Available from Internet, <URL:http://www.thingiverse.com/thing:416583>.*

* cited by examiner

Primary Examiner — Robert M Spear

Assistant Examiner — Darcey E Heflin

(74) *Attorney, Agent, or Firm* — Dave Alan Lingbeck

(57) **CLAIM**

The ornamental design for a bag closure, as shown and described.

DESCRIPTION

FIG. 1 is a front elevation view of a first embodiment of a bag closure showing our new design.

FIG. 2 is a back elevation view of the first embodiment of the bag closure.

FIG. 3 is a right side elevation view of the first embodiment and a second embodiment of the bag closure.

FIG. 4 is a left side elevation view of the first embodiment and the second embodiment of the bag closure.

FIG. 5 is a top plan view of the first embodiment and the second embodiment of the bag closure.

FIG. 6 is bottom plan view of the first embodiment of the bag closure.

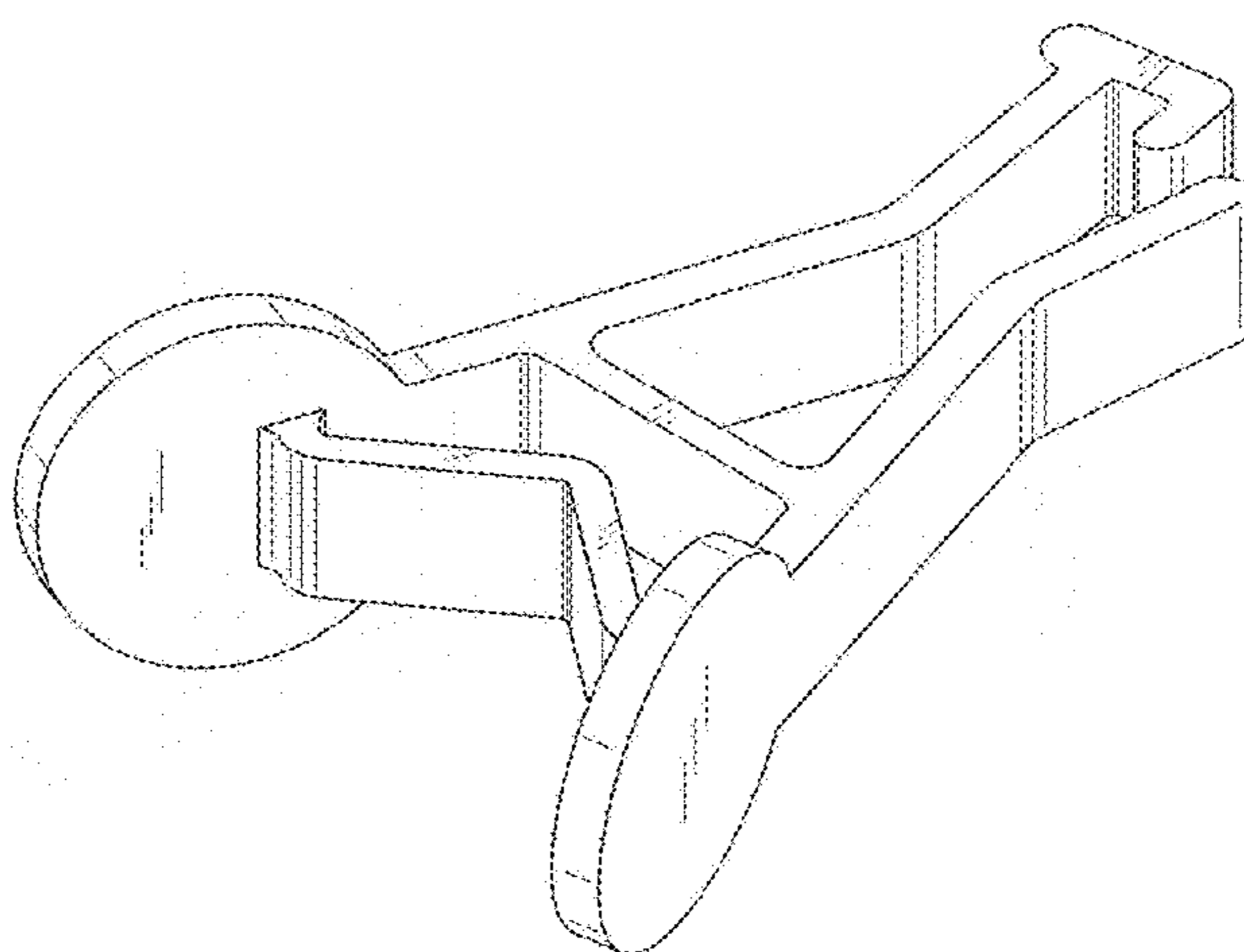
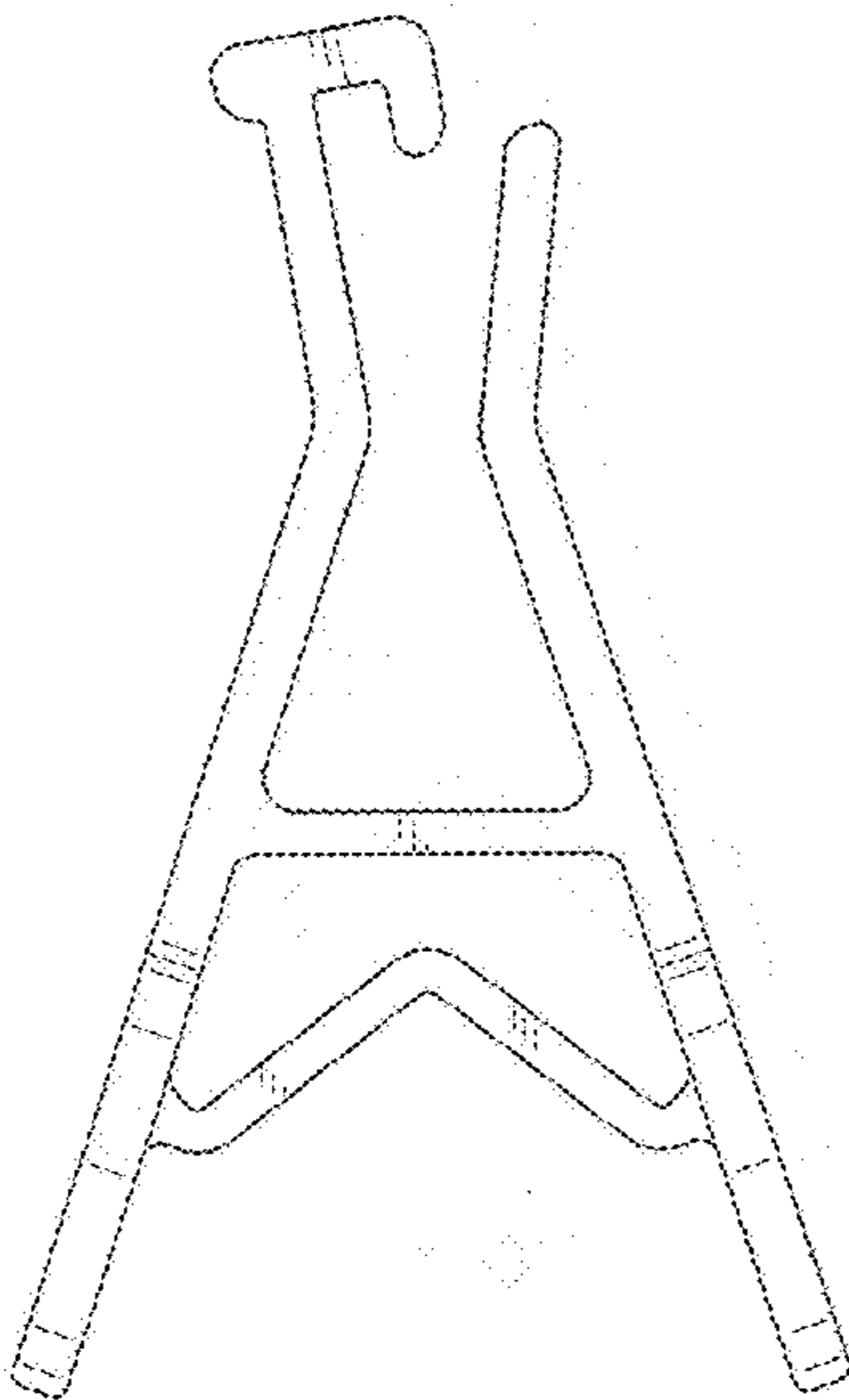
FIG. 7 is a bottom perspective view of the first embodiment of the bag closure.

FIG. 8 is a front elevation view of the second embodiment of a bag closure showing our new design.

FIG. 9 is a back elevation view of the second embodiment of the bag closure; and,

FIG. 10 is bottom plan view of the second embodiment of the bag closure.

1 Claim, 8 Drawing Sheets



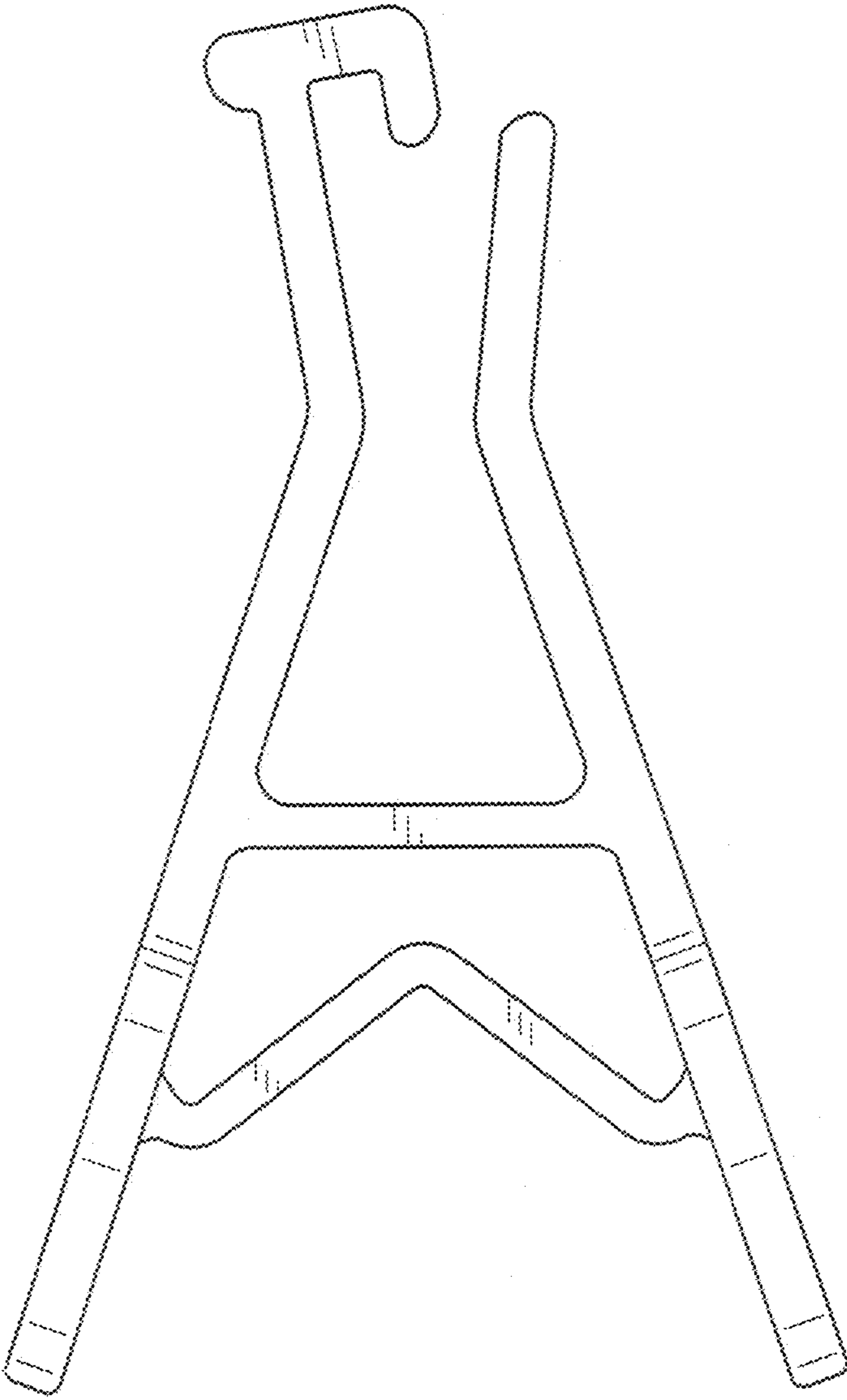


FIG. 1

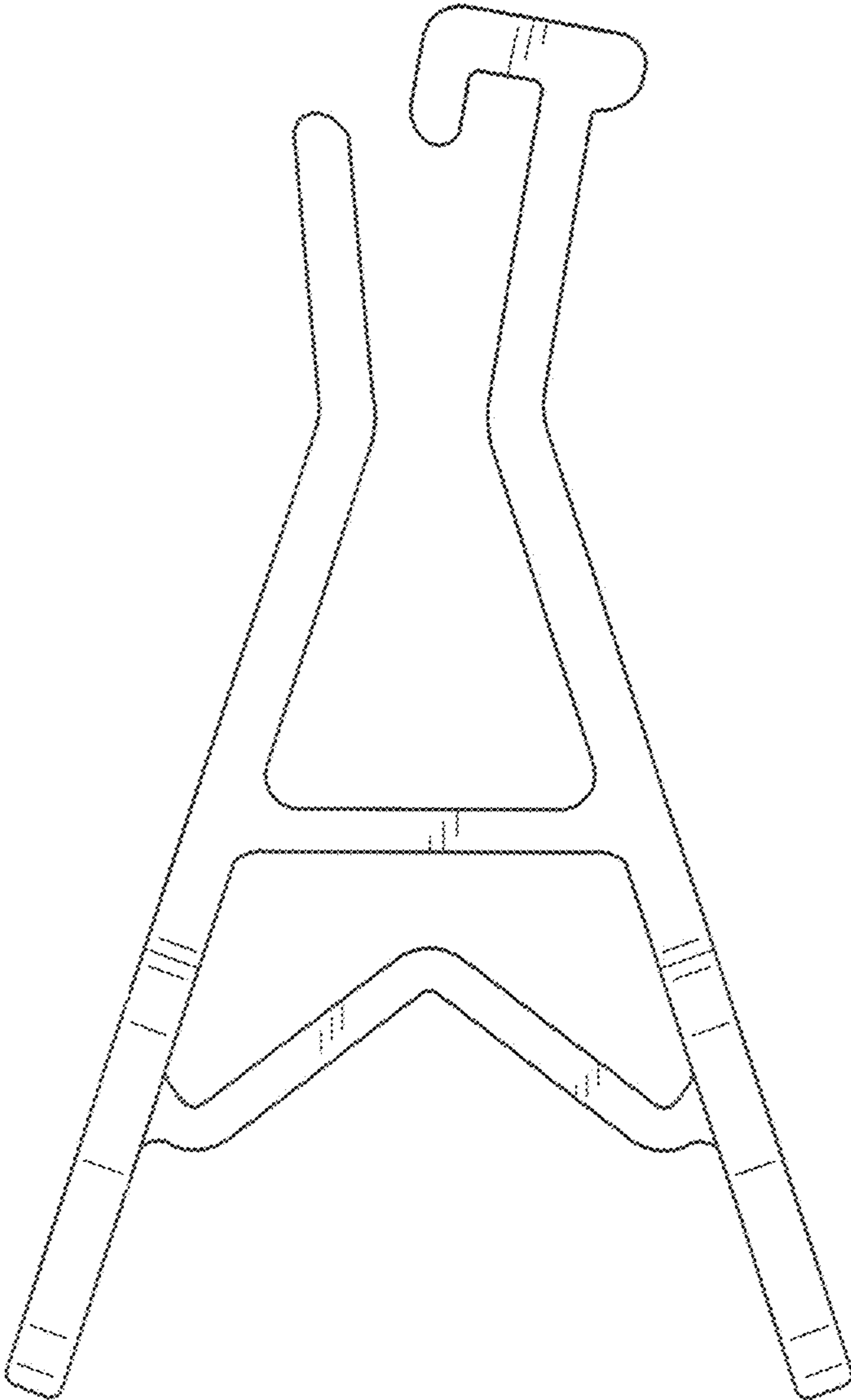


FIG. 2

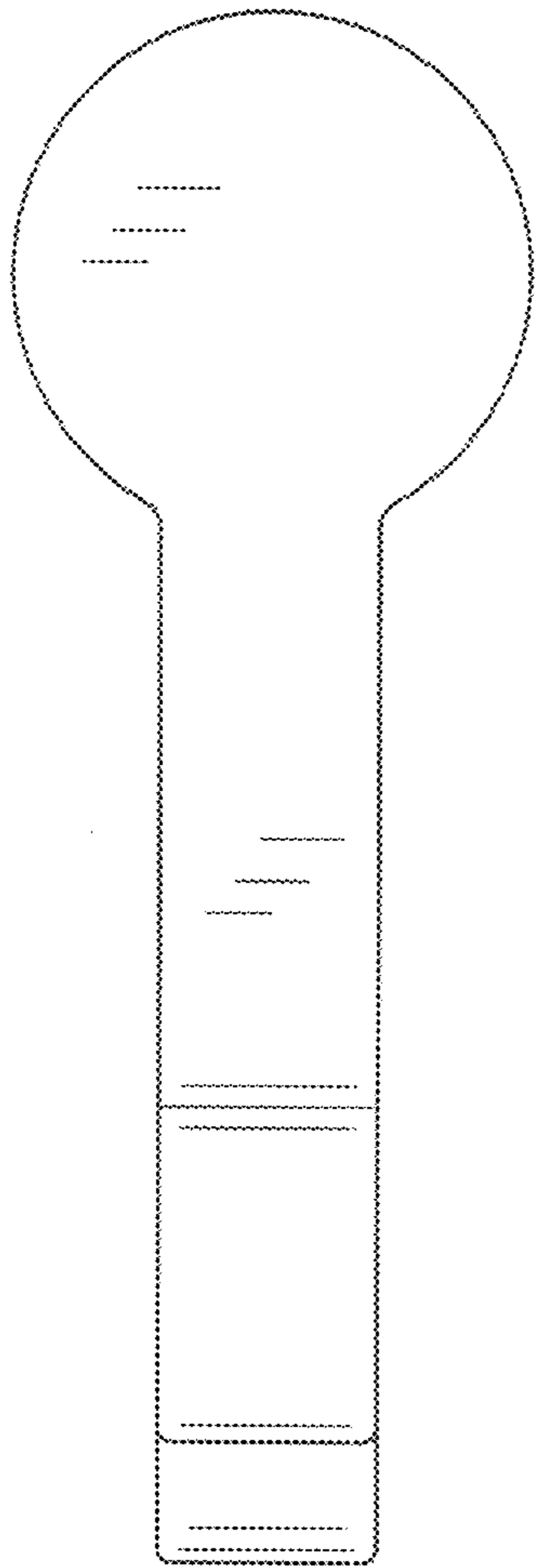


FIG. 3

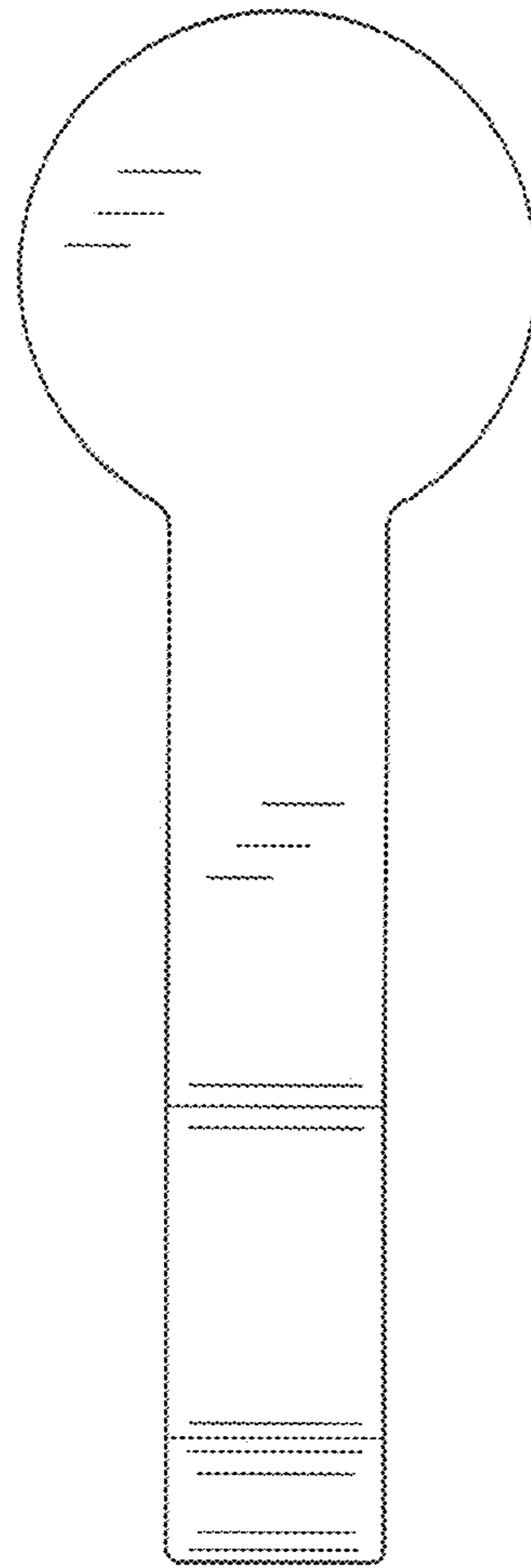


FIG. 4

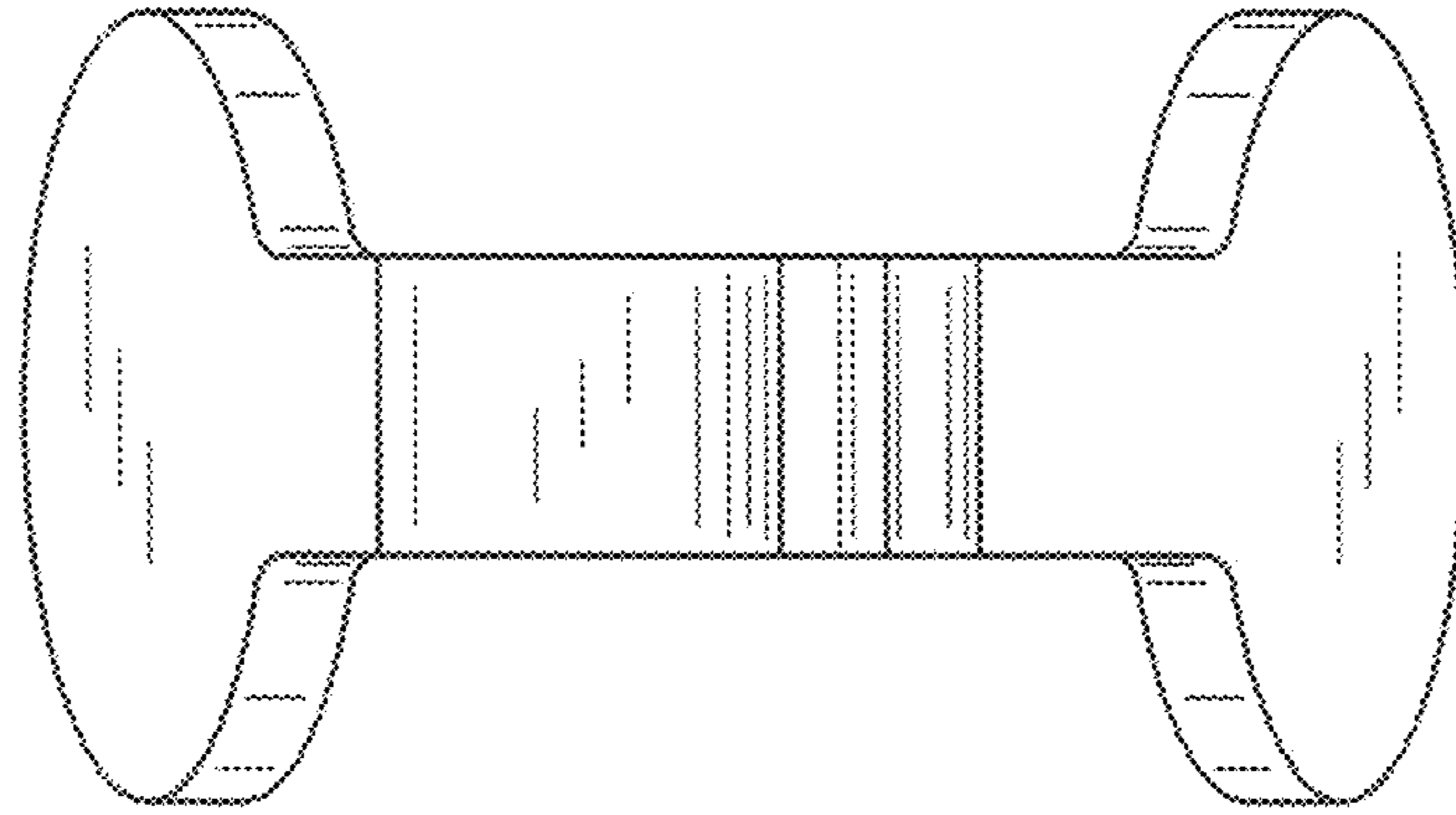


FIG. 5

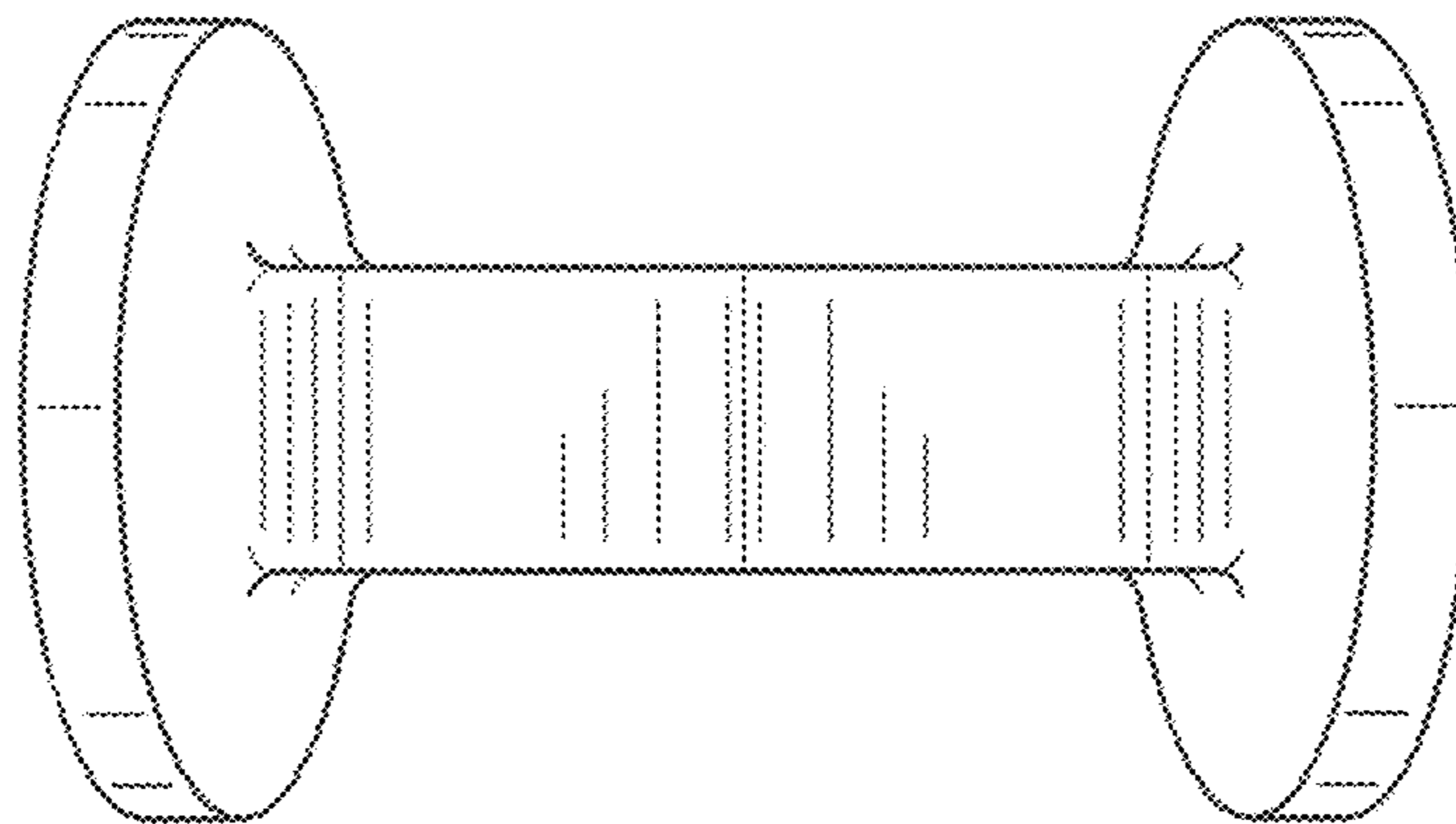


FIG. 6

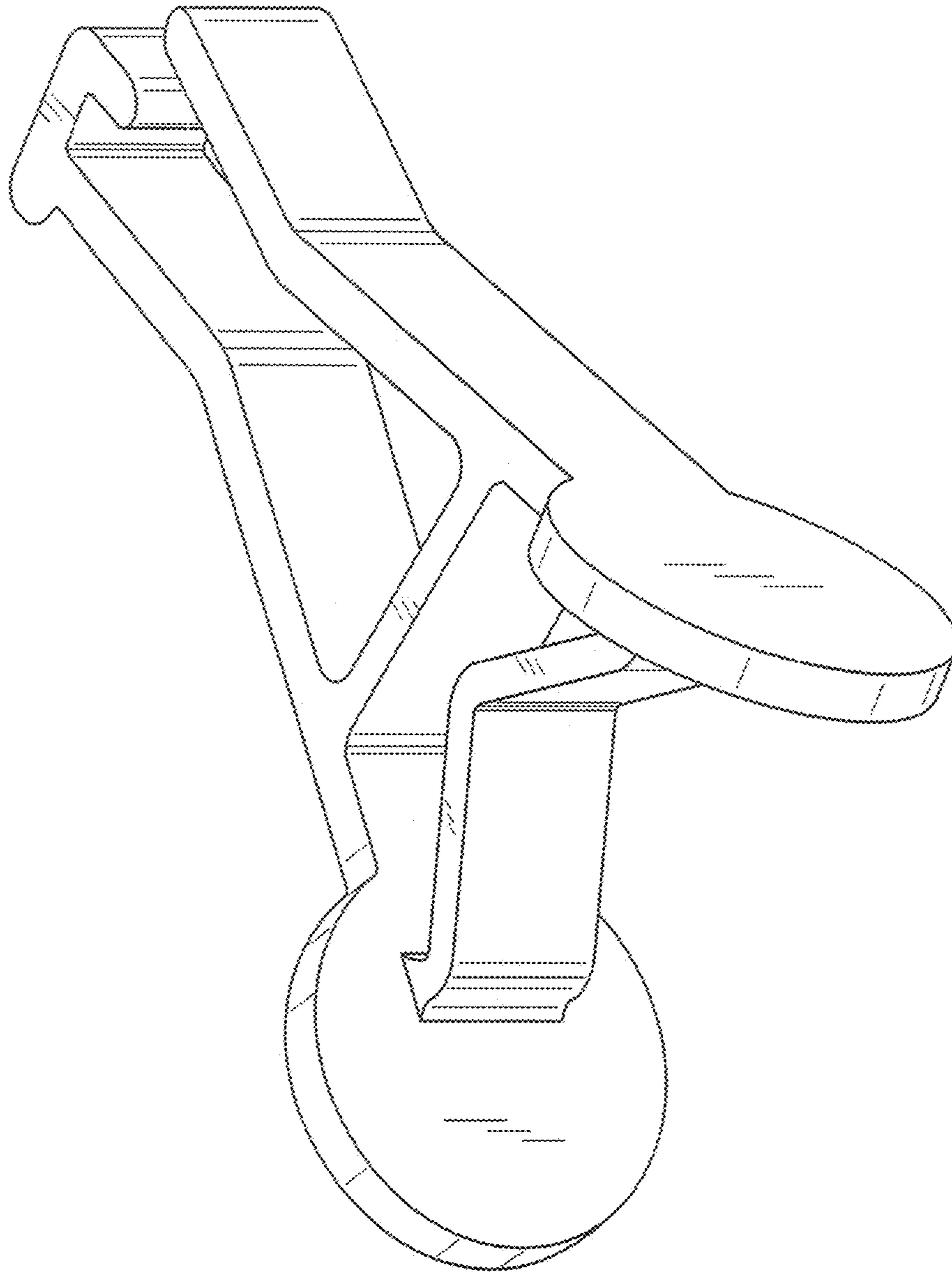


FIG. 7

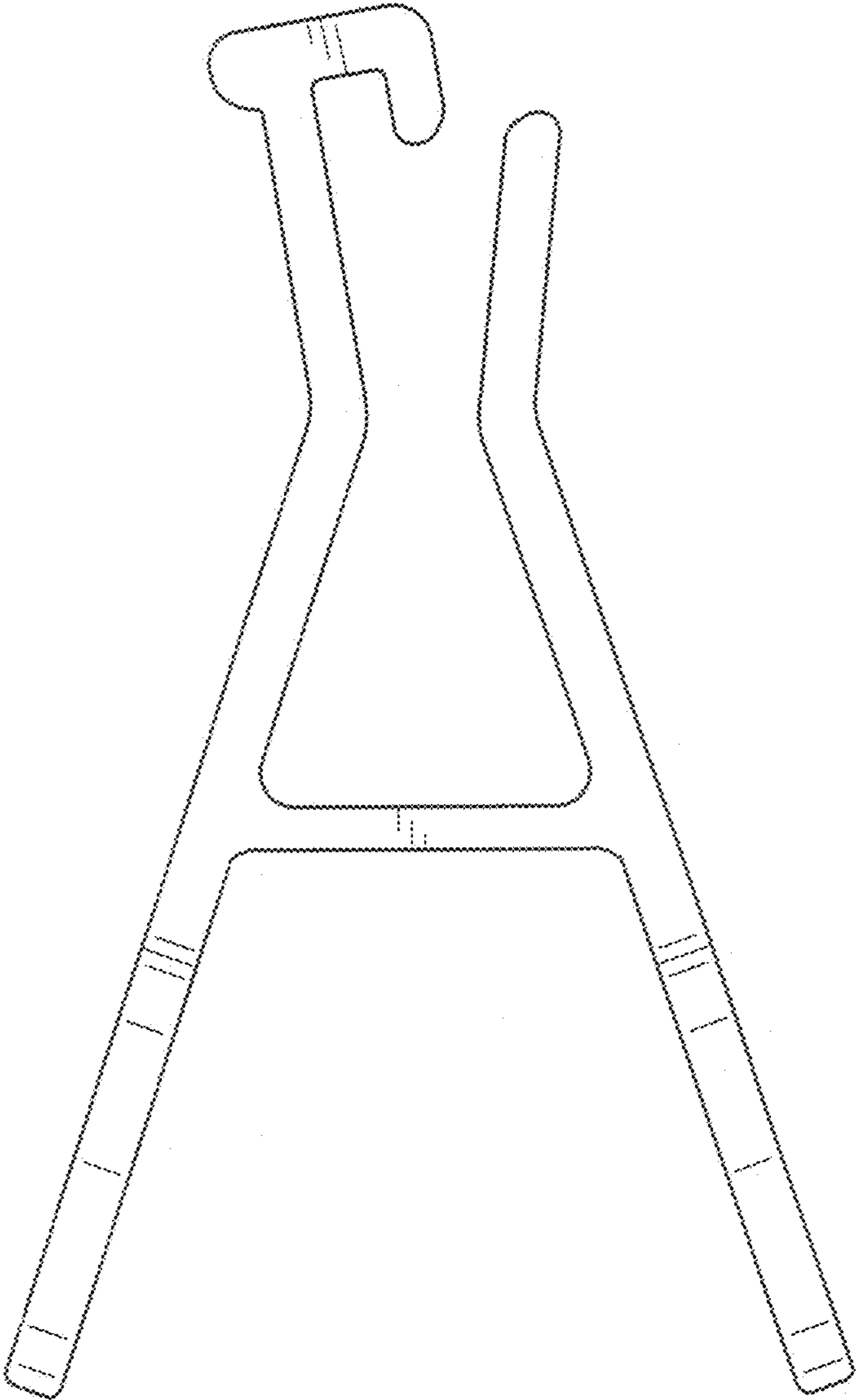


FIG. 8

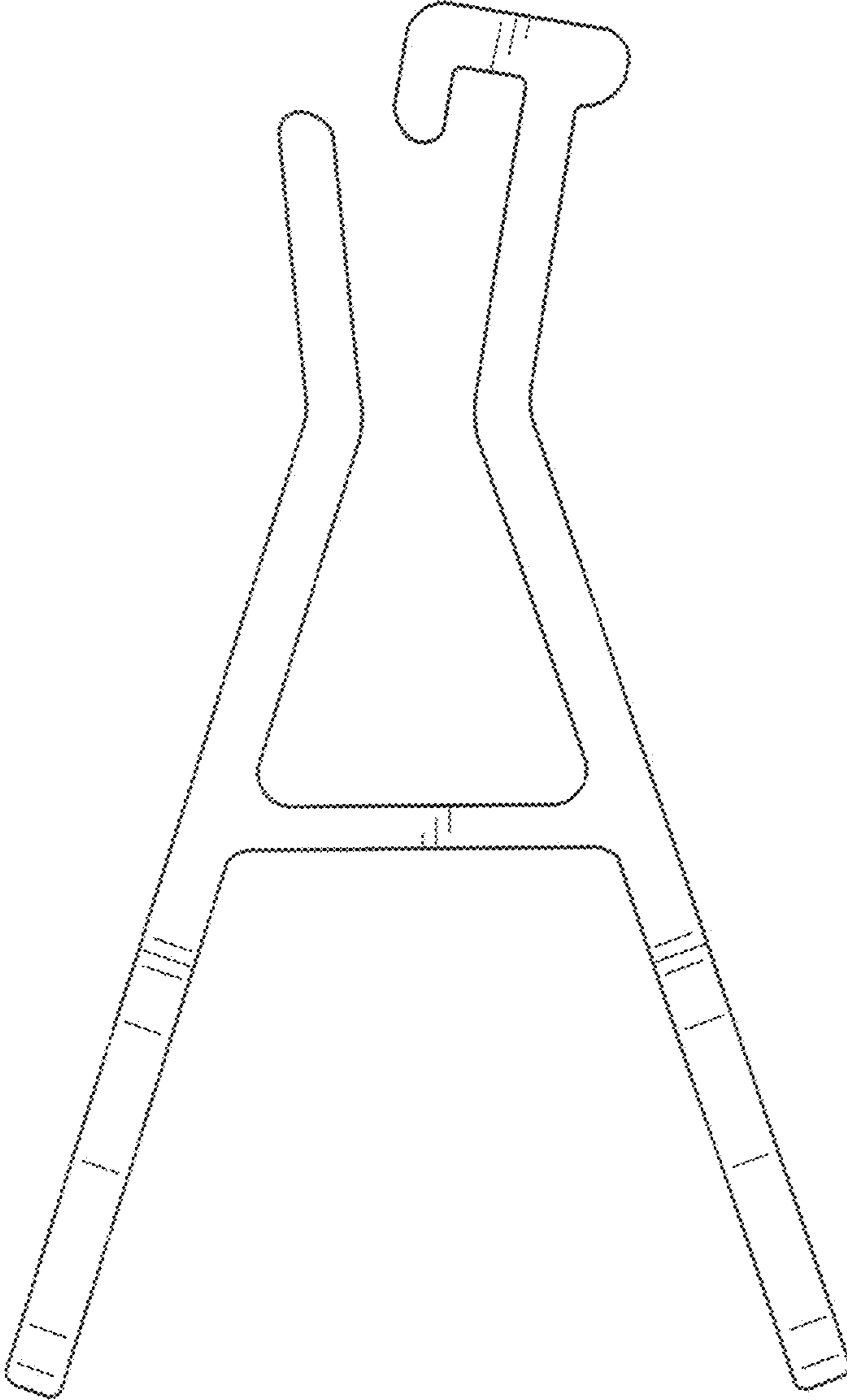


FIG. 9

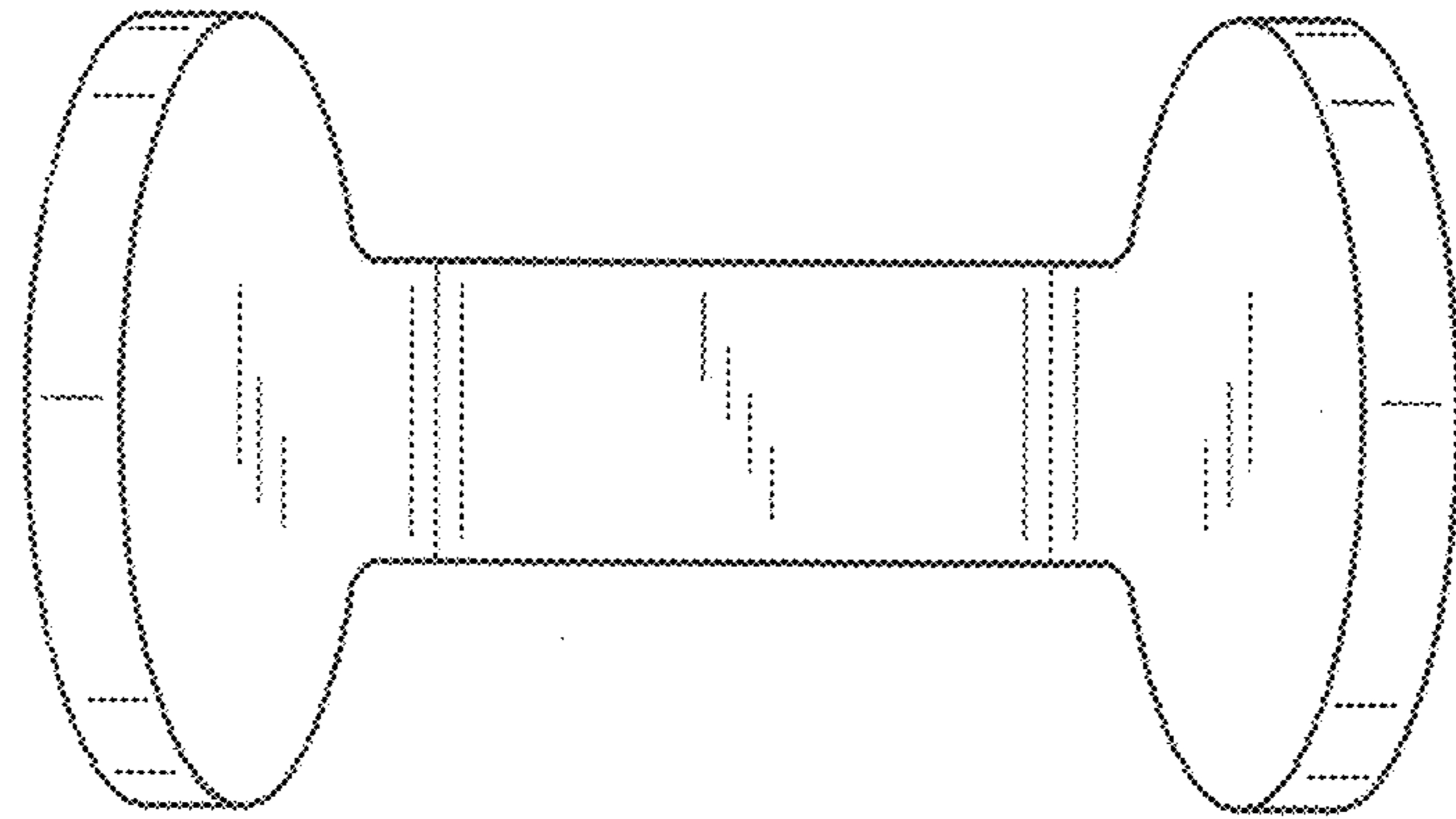


FIG. 10